



US00D663885S

(12) **United States Design Patent**  
**Maxik et al.**

(10) **Patent No.:** **US D663,885 S**

(45) **Date of Patent:** **\*\* Jul. 17, 2012**

(54) **LIGHT FIXTURE WITH HEAT SINK**

(56) **References Cited**

(75) Inventors: **Fredric S. Maxik**, Indialantic, FL (US);  
**Robert R. Soler**, Cocoa Beach, FL (US);  
**David E. Bartine**, Cocoa, FL (US); **Ran**  
**Zhou**, Cape Canaveral, FL (US); **James**  
**Lynn Schellack**, Cocoa Beach, FL (US);  
**Erica Rene Voss**, Indialantic, FL (US)

U.S. PATENT DOCUMENTS

D265,035	S	*	6/1982	Fether et al.	.....	D8/403
D269,910	S	*	7/1983	Johansson	.....	D25/124
D338,449	S	*	8/1993	Sahyoun	.....	D13/179
6,411,514	B1	*	6/2002	Hussaini	.....	361/704
D500,883	S	*	1/2005	Herst et al.	.....	D26/118

(Continued)

(73) Assignee: **Lighting Science Group Corporation**,  
Satellite Beach, FL (US)

*Primary Examiner* — Kevin Rudzinski

(74) *Attorney, Agent, or Firm* — Mark R. Malek, Esq.; Zies  
Widerman & Malek

(\*\*) Term: **14 Years**

(21) Appl. No.: **29/391,916**

(57) **CLAIM**

The ornamental design for a light fixture with heat sink, as  
shown and described.

(22) Filed: **May 13, 2011**

**DESCRIPTION**

(51) **LOC (9) Cl.** ..... **26-99**

(52) **U.S. Cl.** ..... **D26/118**

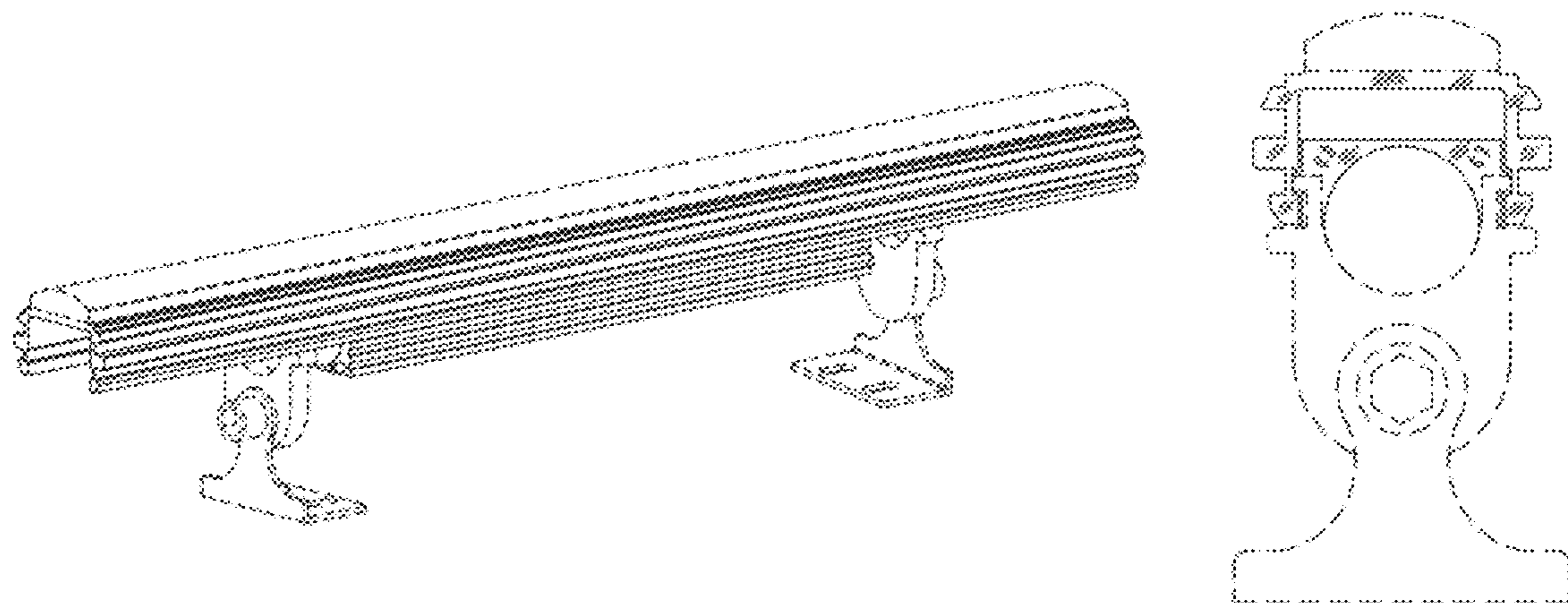
(58) **Field of Classification Search** ..... D26/38,  
D26/36, 46, 73, 76, 81, 84, 88, 118, 138,  
D26/120, 13, 154, 155, 145, 86, 87, 85, 142,  
D26/61, 24, 93, 92, 153, 91, 89, 74, 121,  
D26/122, 71, 110, 105, 111, 131, 83, 80,  
D26/1, 2, 3, 4, 5, 26, 123, 125, 128, 63, 62,  
D26/64, 65, 41, 69, 139, 152, 150, 151, 141,  
D26/143, 144, 51, 140; 362/269, 648, 238,  
362/111, 105, 86, 373, 294, 362, 297, 346,  
362/341, 356, 352, 433, 404, 235, 240, 249.01–249.11,  
362/321, 287, 374, 427, 190, 281, 324, 272,  
362/244, 555, 147, 348, 263, 350; D10/11,  
D10/114.1; D22/108; 42/146, 117, 114,  
42/115, 116, 142, 1.01; 439/110; 403/92,  
403/97; 285/69, 78, 65; 257/89; D16/221;  
D13/110, 133, 134, 179, 180, 182; 160/332;  
D11/90, 89, 121, 125, 131; D25/119, 124,  
D25/125, 138; D23/386; D8/373, 354, 349,  
D8/389, 382, 363, 356, 377

FIG. 1 is a perspective view of a light fixture with heat sink  
according to the present invention;  
FIG. 2 is a front elevation view of the light fixture with heat  
sink illustrated in FIG. 1;  
FIG. 3 is a rear elevation view of the light fixture with heat  
sink illustrated in FIG. 1;  
FIG. 4 is a first end elevation view of the light fixture with heat  
sink illustrated in FIG. 1;  
FIG. 5 is a second end elevation view of the light fixture with  
heat sink illustrated in FIG. 1;  
FIG. 6 is a top plan view of the light fixture with heat sink  
illustrated in FIG. 1; and,  
FIG. 7 is a bottom plan view of the light fixture with heat sink  
illustrated in FIG. 1.

The broken lines shown in the drawings illustrate the top  
portion of the light fixture with heat sink, the support legs and  
portions of the light fixture with heat sink that form no part of  
the claimed design.

See application file for complete search history.

**1 Claim, 3 Drawing Sheets**



# US D663,885 S

Page 2

---

## U.S. PATENT DOCUMENTS

7,267,461	B2 *	9/2007	Kan et al. ....	362/373	D623,342	S *	9/2010	Klu .....	D26/138
D556,359	S *	11/2007	Cunius .....	D26/76	D625,463	S *	10/2010	Klu .....	D26/138
D590,099	S *	4/2009	Maxik et al. ....	D26/118	7,813,131	B2 *	10/2010	Liang .....	361/704
D603,079	S *	10/2009	Toot et al. ....	D26/76	D627,095	S *	11/2010	Miyairi et al. ....	D26/120
D606,501	S *	12/2009	Plonski et al. ....	D13/179	D643,960	S *	8/2011	Waldmann .....	D26/74
D619,550	S *	7/2010	Hwang et al. ....	D13/179	2008/0285264	A1 *	11/2008	Whitehouse et al. ....	362/217
D620,459	S *	7/2010	Huang et al. ....	D13/179	2010/0027266	A1 *	2/2010	Tsai et al. ....	362/267
D621,968	S *	8/2010	Schultz .....	D26/1					

\* cited by examiner

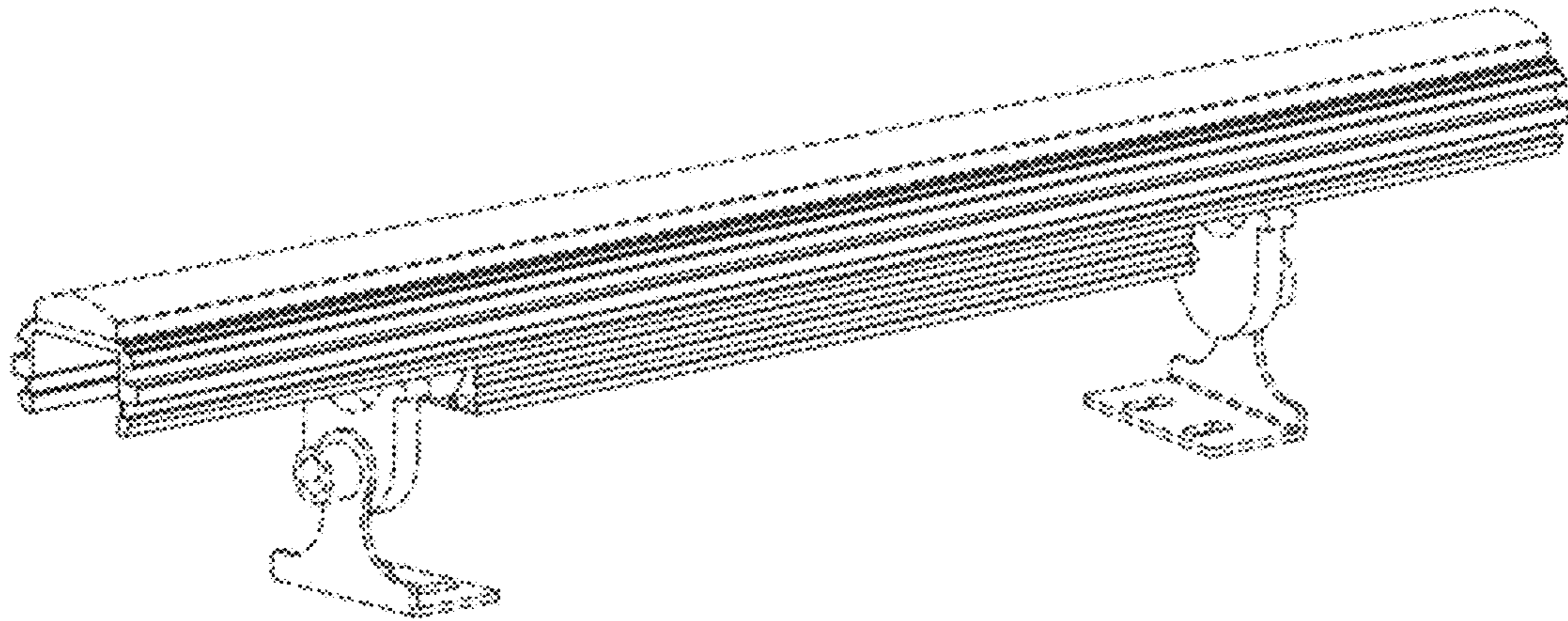


Fig. 1

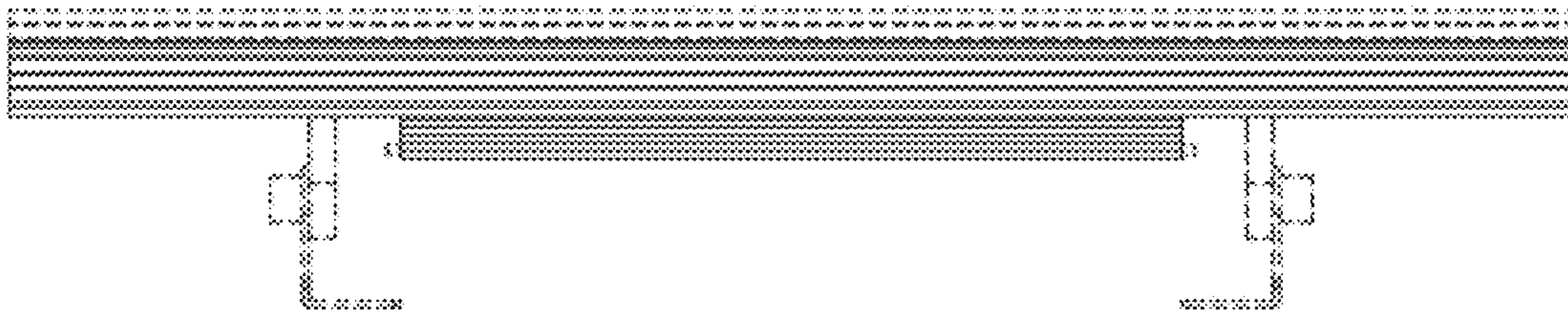


Fig. 2



Fig. 3

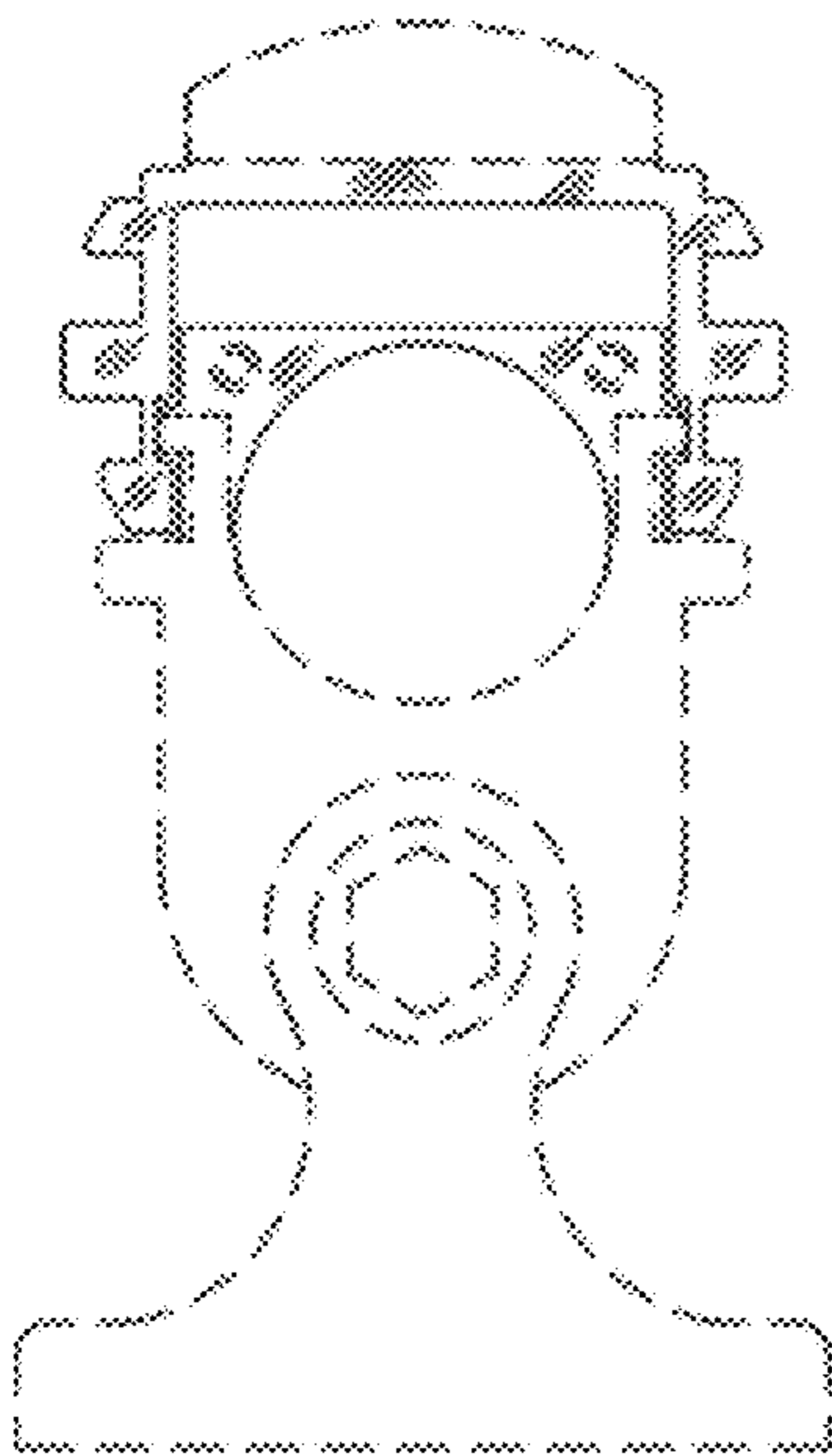


Fig. 4

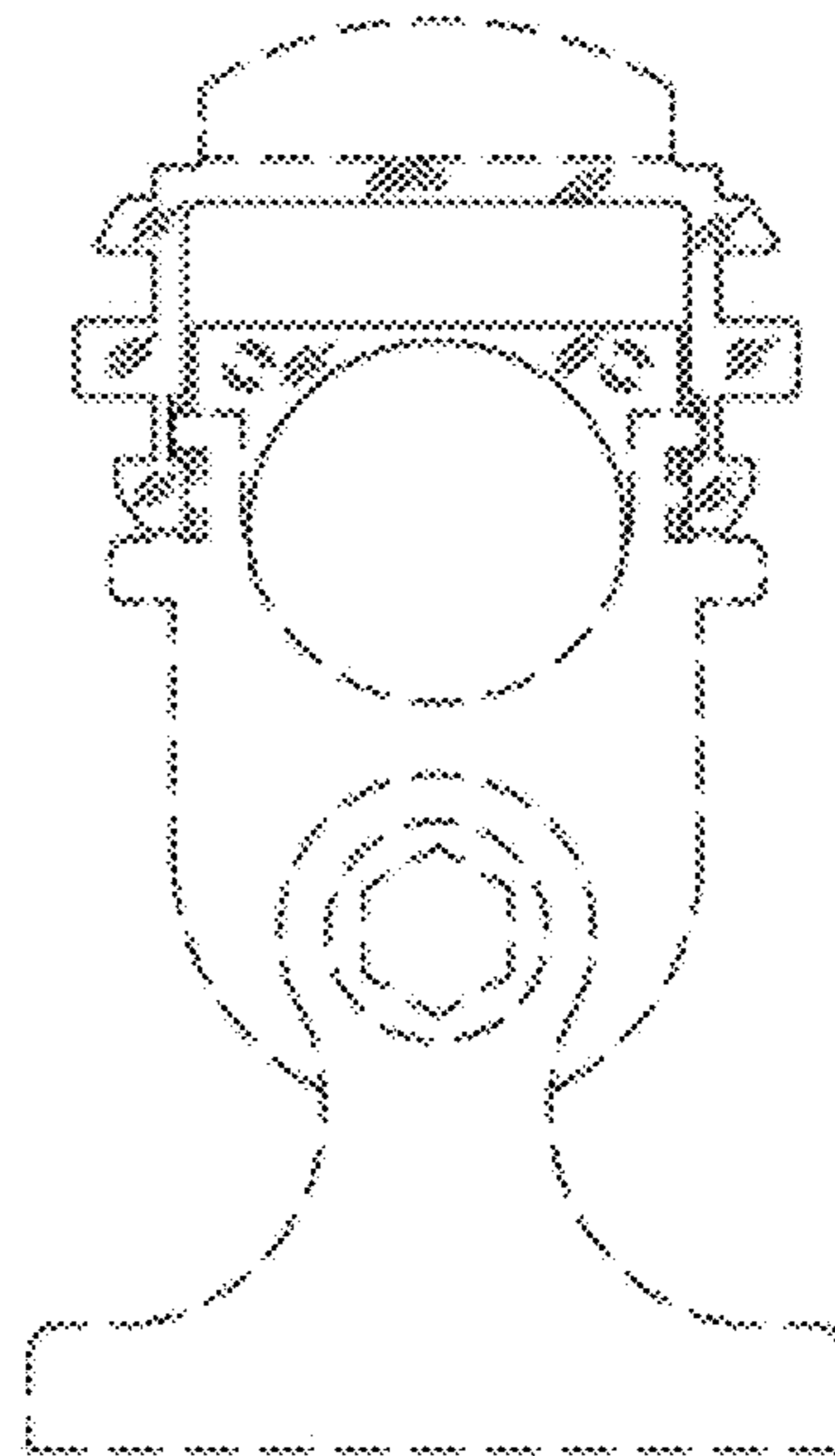


Fig. 5

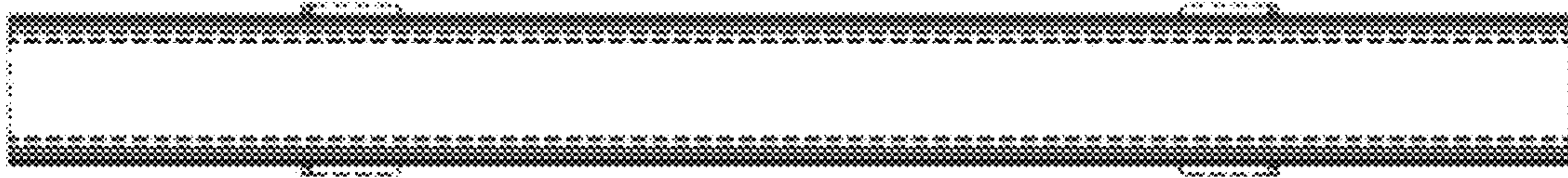


Fig. 6

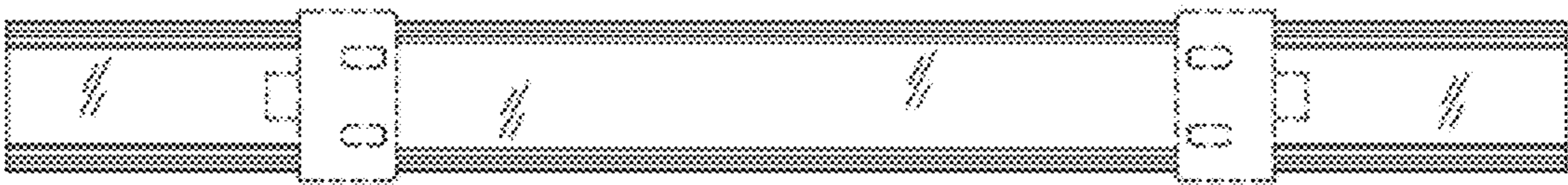


Fig. 7