

US00D663883S

(12) **United States Design Patent**
Johnson

(10) **Patent No.:** **US D663,883 S**

(45) **Date of Patent:** **** Jul. 17, 2012**

(54) **BOTTLE LAMP WITH AN ELECTRIC LIGHT**

(75) Inventor: **Matthew Johnson**, Hollywood, FL (US)

(73) Assignee: **Drunken Bottle**, Carnegie, PA (US)

(**) Term: **14 Years**

(21) Appl. No.: **29/386,660**

(22) Filed: **Mar. 3, 2011**

(51) **LOC (9) Cl.** **26-03**

(52) **U.S. Cl.** **D26/88; D26/73**

(58) **Field of Classification Search** D26/73,
D26/84, 85, 88, 90, 91, 94, 124, 128, 146,
D26/147; 362/147, 404-408, 806, 812

See application file for complete search history.

(56) **References Cited**

U.S. PATENT DOCUMENTS

| | | | | |
|--------------|---------|-----------|-------|--------|
| D90,777 S * | 9/1933 | Lippard | | D26/73 |
| D90,881 S * | 10/1933 | Gruber | | D26/73 |
| D205,240 S * | 7/1966 | Needham | | D26/73 |
| D217,383 S * | 4/1970 | Benedetto | | D26/73 |
| D508,743 S * | 8/2005 | Brady | | D26/26 |
| D509,608 S * | 9/2005 | Brady | | D26/26 |
| D523,973 S * | 6/2006 | Brady | | D26/26 |
| D524,956 S * | 7/2006 | Chan | | D26/26 |

| | | | | |
|--------------|--------|---------------|-------|---------|
| D559,433 S * | 1/2008 | Mackey et al. | | D26/128 |
| D559,434 S * | 1/2008 | Morris et al. | | D26/128 |
| D560,018 S * | 1/2008 | Morris et al. | | D26/128 |
| D593,244 S * | 5/2009 | Cytrynowicz | | D26/73 |

* cited by examiner

Primary Examiner — Clare E Heflin

(74) *Attorney, Agent, or Firm* — Laurence A. Greenberg;
Werner H. Stemer; Ralph E. Locher

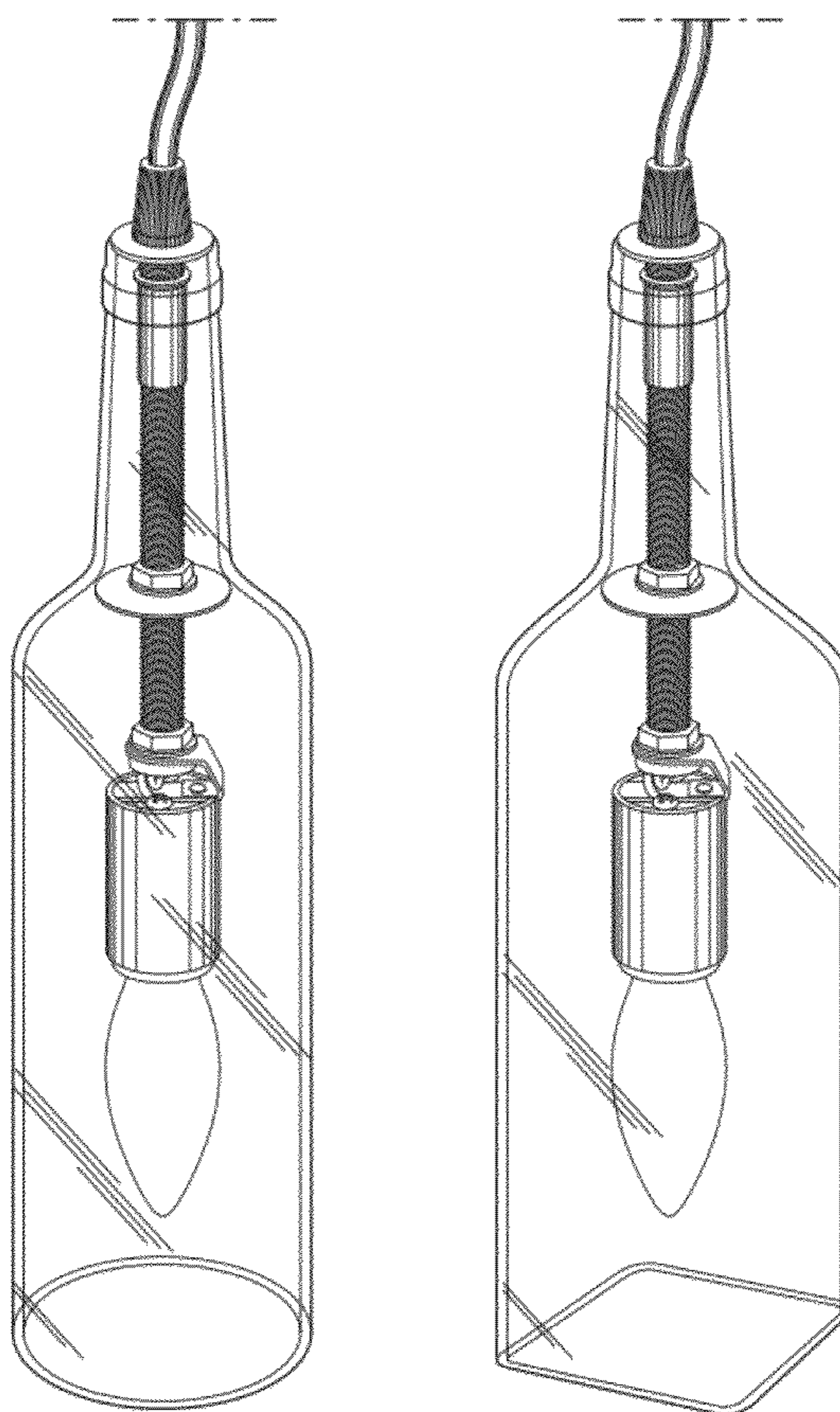
(57) **CLAIM**

The ornamental design for a bottle lamp with an electric light, as shown and described.

DESCRIPTION

FIG. 1 is an elevation view of a bottle lamp with an electric light showing a first embodiment of the new design;
FIG. 2 is a perspective view thereof;
FIG. 3 is a top plan view thereof;
FIG. 4 is a bottom plan view thereof;
FIG. 5 is a perspective view of a bottle lamp with an electric light showing a second embodiment of the new design;
FIG. 6 is a top plan view thereof; and,
FIG. 7 is a bottom plan view thereof.

1 Claim, 2 Drawing Sheets



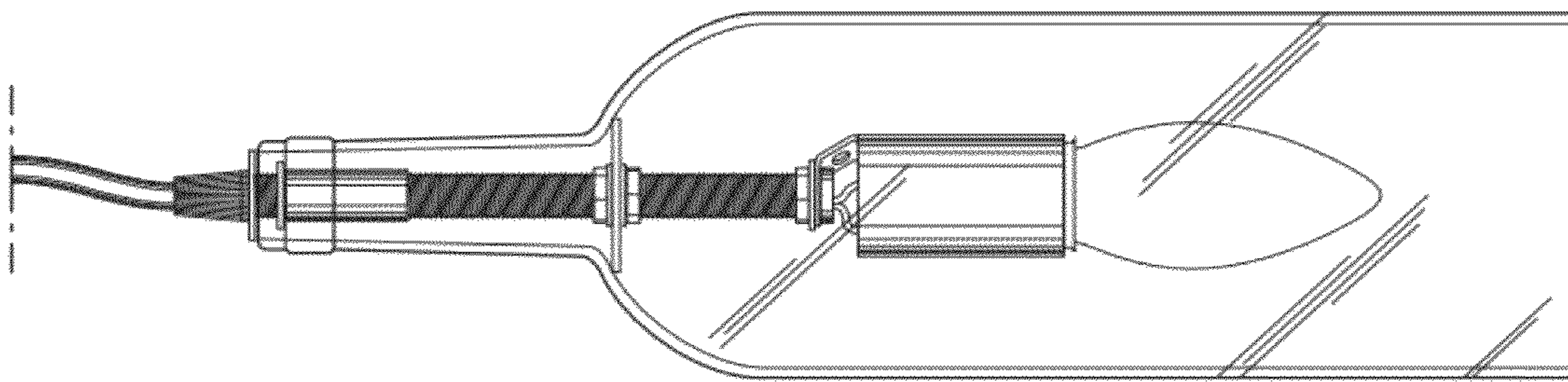


FIG. 1

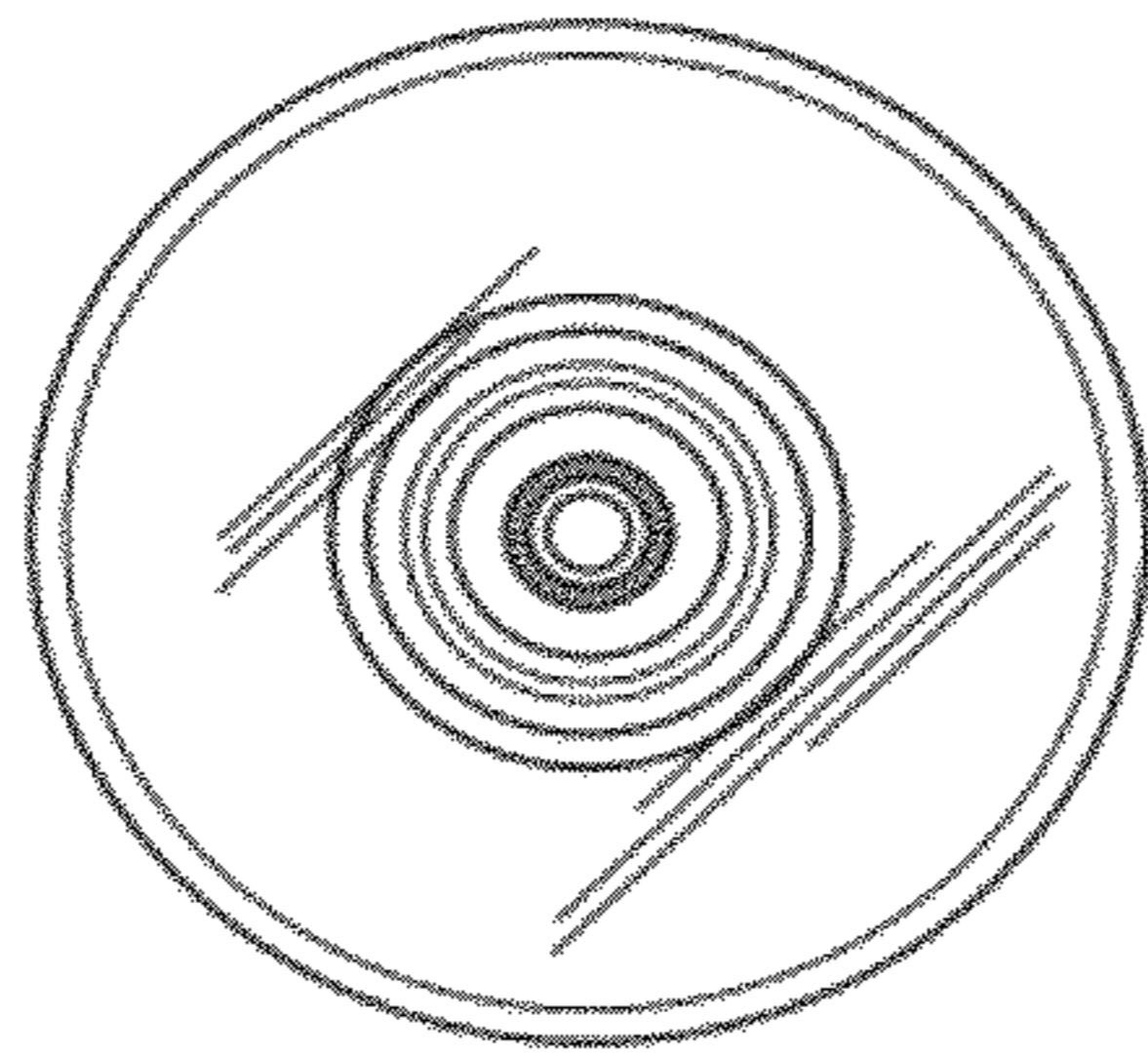


FIG. 3

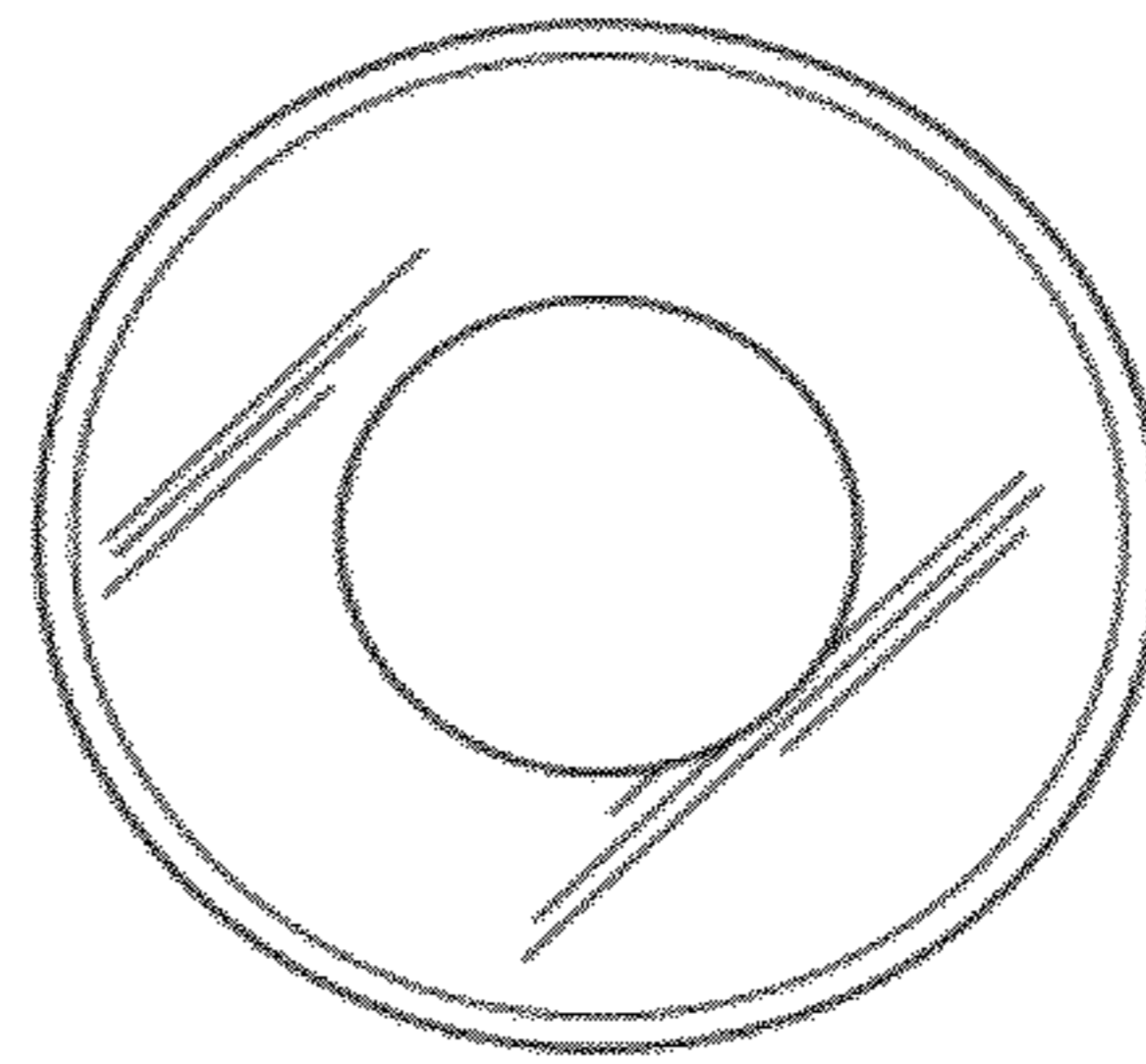


FIG. 4

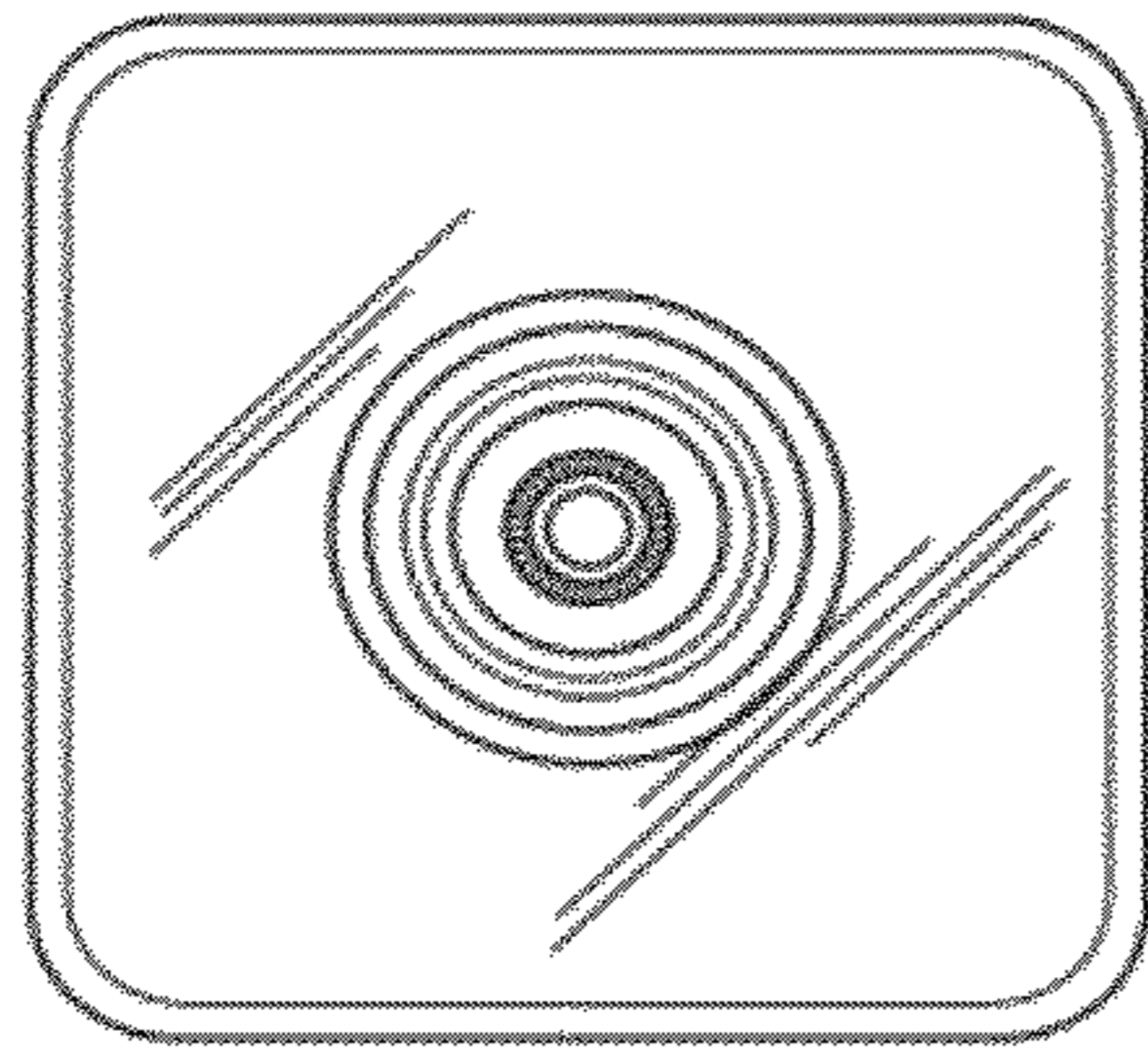


FIG. 6

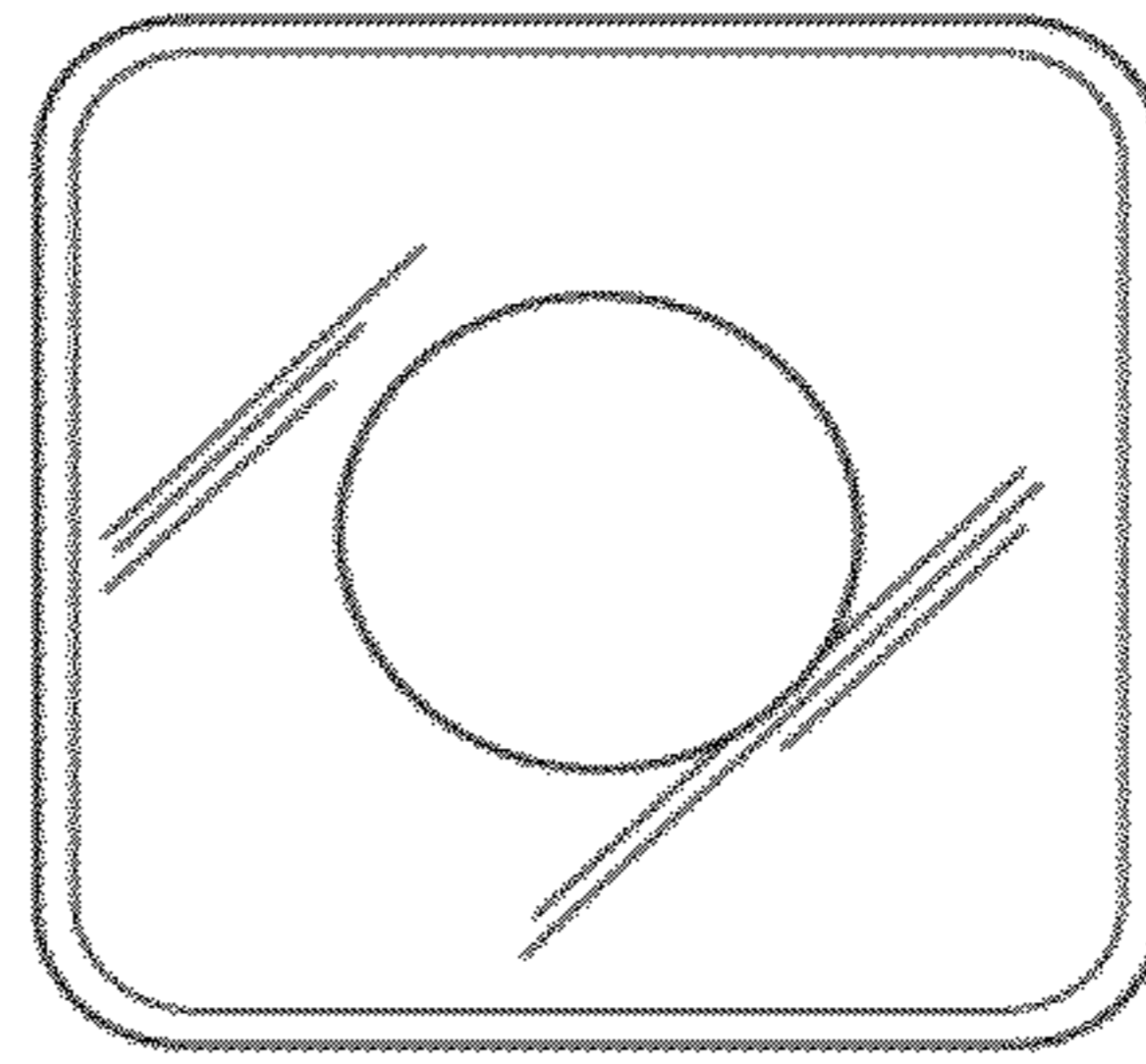


FIG. 7

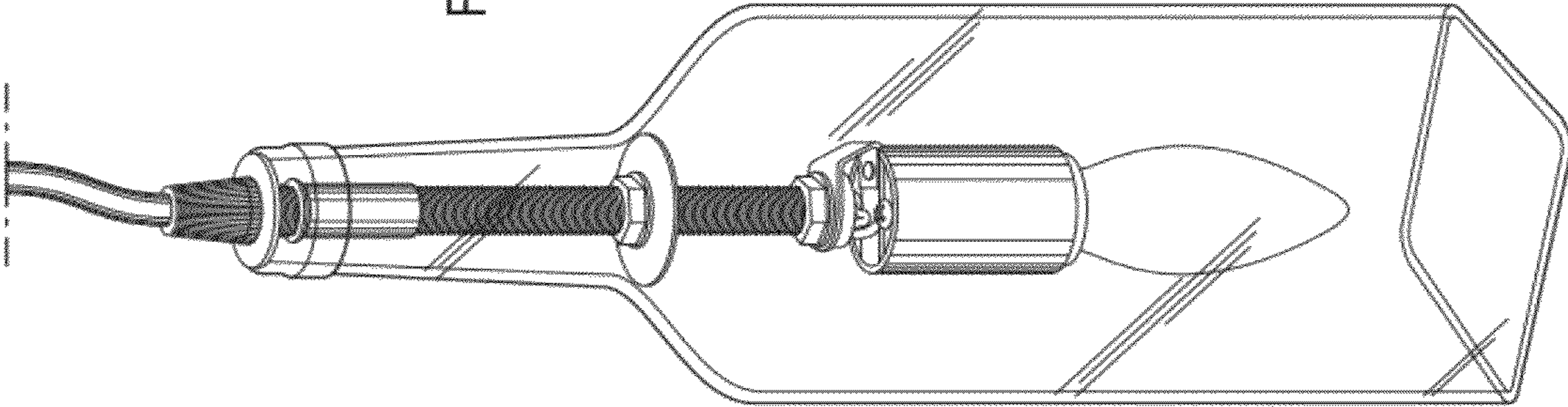


FIG. 5

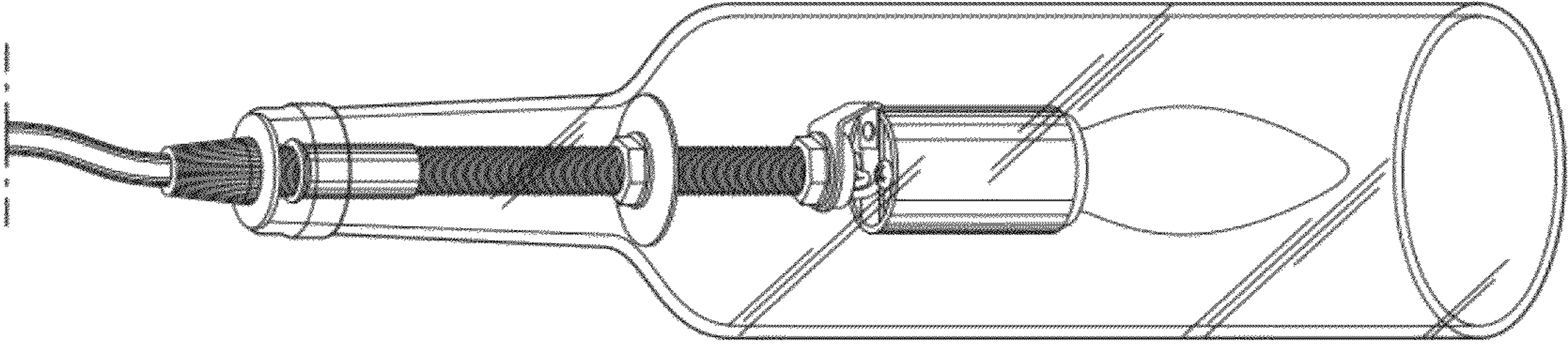


FIG. 2