

US00D663882S

(12) **United States Design Patent**  
**Muraishi et al.**

(10) **Patent No.:** **US D663,882 S**  
(45) **Date of Patent:** **\*\* Jul. 17, 2012**

(54) **CEILING LIGHT**

(75) Inventors: **Ichiro Muraishi**, Osaka (JP); **Wakaaki Itohara**, Osaka (JP); **Yutaka Takashige**, Osaka (JP)

(73) Assignee: **Sharp Kabushiki Kaisha**, Osaka (JP)

(\*\*) Term: **14 Years**

(21) Appl. No.: **29/366,742**

(22) Filed: **Jul. 29, 2010**

(30) **Foreign Application Priority Data**

Feb. 23, 2010 (JP) ..... 2010-004106

(51) **LOC (9) Cl.** ..... **26-03**

(52) **U.S. Cl.** ..... **D26/76**

(58) **Field of Classification Search** ..... D26/72,  
D26/74, 75, 76, 77, 78, 79, 80, 81, 82, 83,  
D26/84, 85, 88, 89, 90; 362/145, 146, 147,  
362/148, 150, 151, 152, 153, 153.1, 217.01,  
362/217.02, 217.05, 217.06, 217.07, 217.08,  
362/217.09, 217.1, 217.11, 249.02, 260,  
362/296.07, 311.02

See application file for complete search history.

(56) **References Cited**

U.S. PATENT DOCUMENTS

D344,605	S	*	2/1994	Aspenwall	.....	D26/76
D362,315	S	*	9/1995	Herst et al.	.....	D26/76
5,884,994	A	*	3/1999	Herst et al.	.....	362/256
D487,527	S	*	3/2004	Sieczkowski	.....	D26/76
D492,809	S	*	7/2004	Weitgasser	.....	D26/76
D580,087	S	*	11/2008	Couture et al.	.....	D26/76
7,494,241	B2	*	2/2009	McCarthy et al.	.....	362/219
D602,626	S	*	10/2009	Santoro et al.	.....	D26/76
D606,229	S	*	12/2009	Johansen et al.	.....	D26/80
D610,735	S	*	2/2010	Chien	.....	D26/76
D617,489	S	*	6/2010	Santoro	.....	D26/76
D647,241	S	*	10/2011	Takahashi et al.	.....	D26/76
D654,208	S	*	2/2012	Marquardt et al.	.....	D26/85

\* cited by examiner

*Primary Examiner* — Angela J Lee

(74) *Attorney, Agent, or Firm* — Nixon & Vanderhye, P.C.

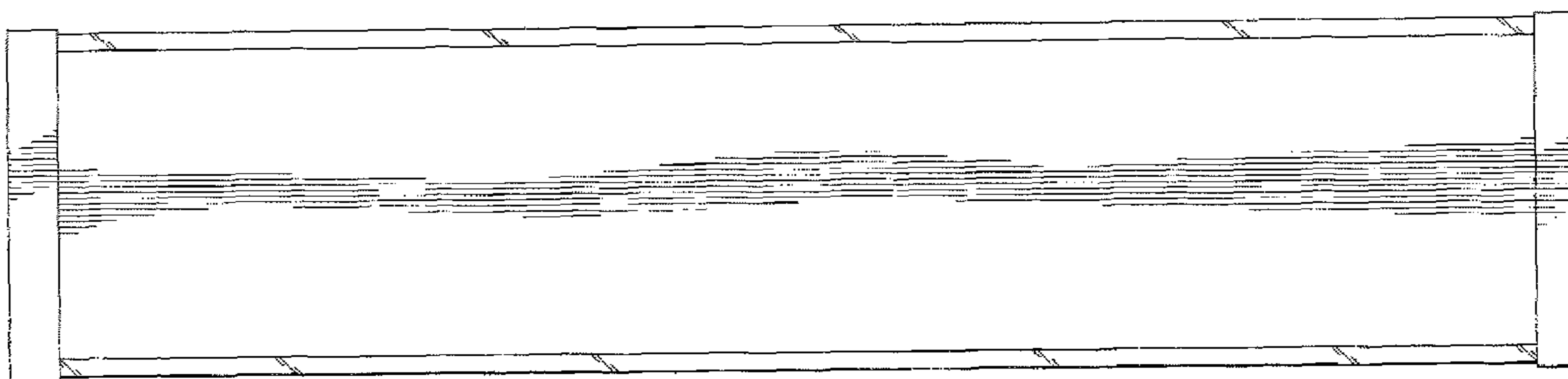
(57) **CLAIM**

The ornamental design for “ceiling light,” as shown and described.

**DESCRIPTION**

FIG. 1 is a lower right front perspective view of a ceiling light in accordance with our new design;  
FIG. 2 is a front elevation view thereof, the rear elevation view being identical thereto;  
FIG. 3 is a top plan view thereof;  
FIG. 4 is a bottom plan view thereof; and,  
FIG. 5 is a right side elevation view thereof, the left side elevation view being identical thereto.

**1 Claim, 3 Drawing Sheets**



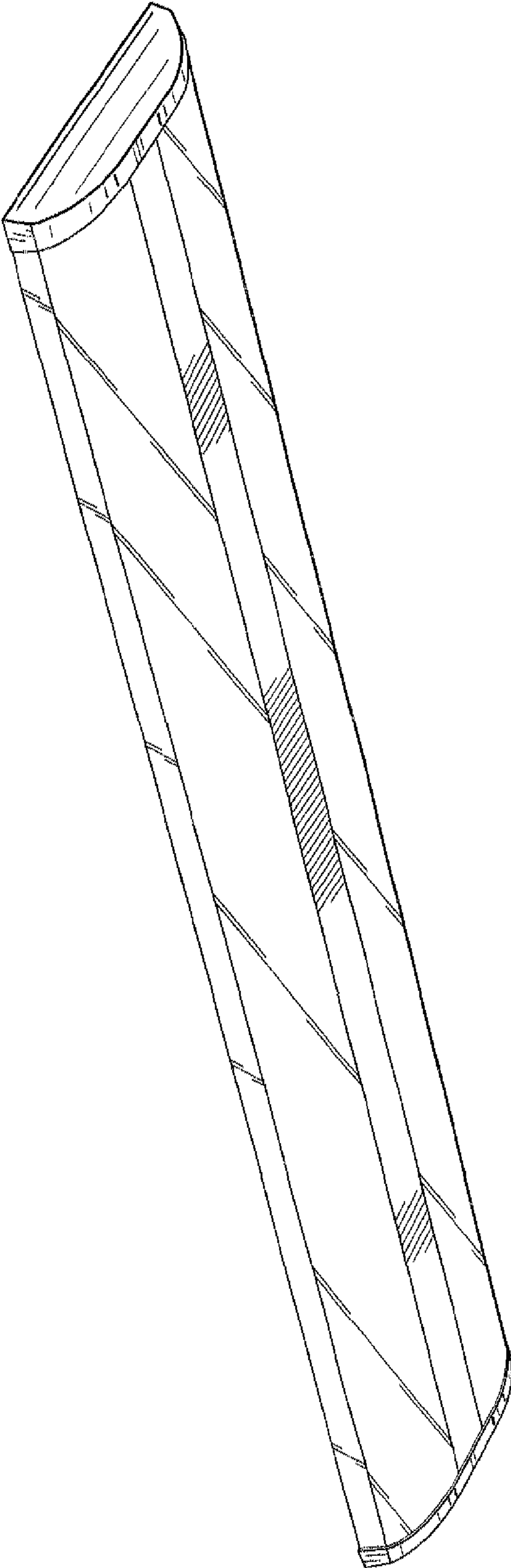


FIG. 1



FIG. 2

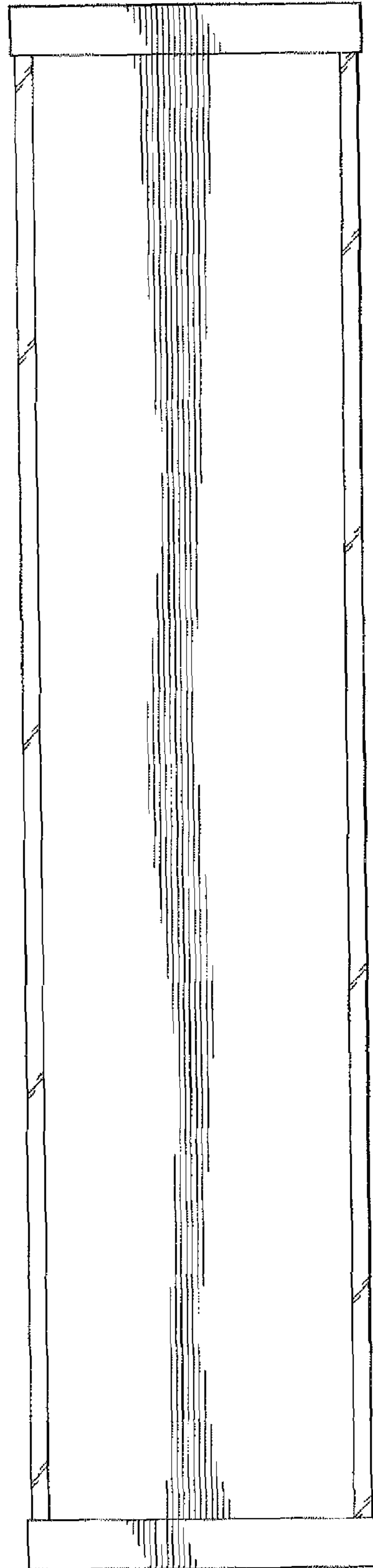


FIG. 3

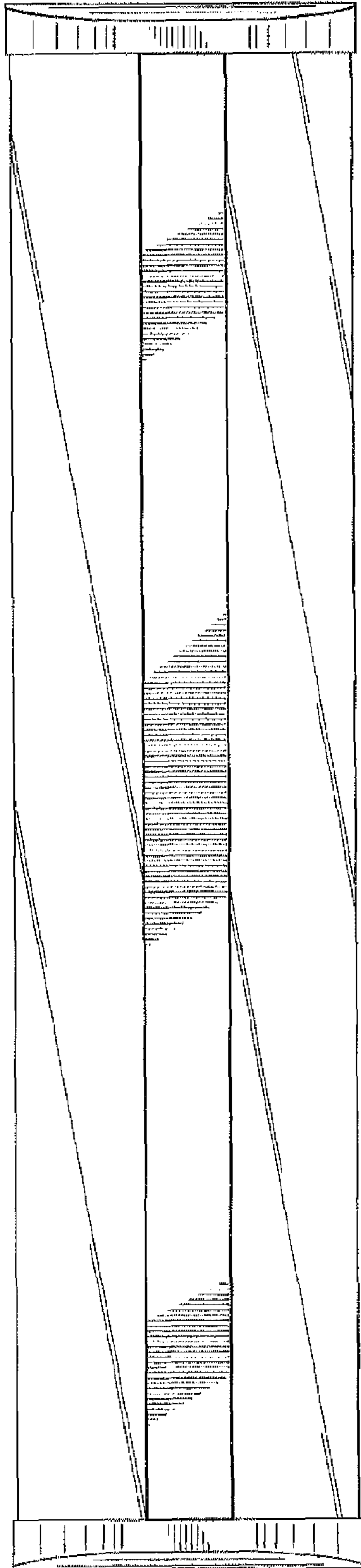


FIG. 4

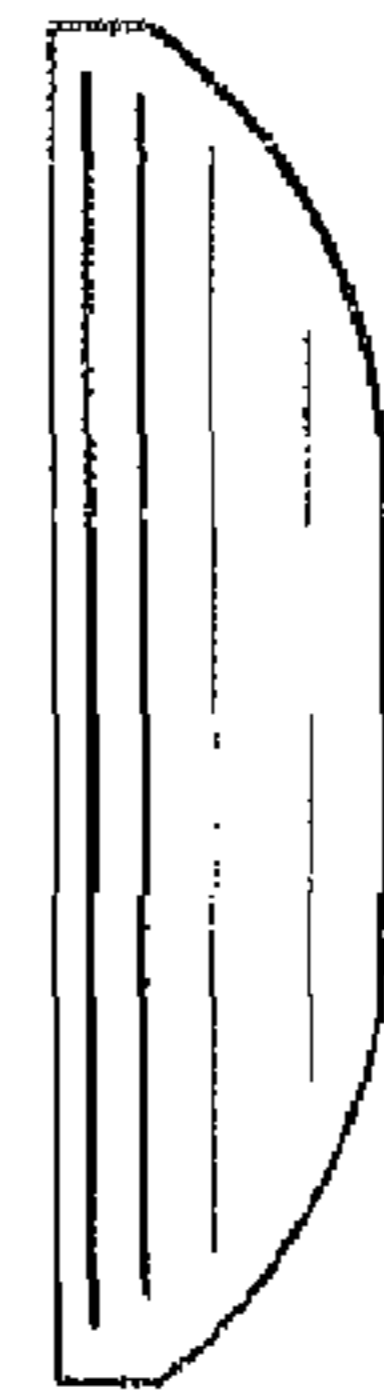


FIG. 5