



US00D663877S

(12) **United States Design Patent**
Quevy et al.

(10) **Patent No.:** **US D663,877 S**
(45) **Date of Patent:** **** Jul. 17, 2012**

(54) **LIGHT FIXTURE AND MOUNTING THEREFOR**

(75) Inventors: **Kristen Quevy**, Canoga Park, CA (US);
Kenneth J. Acampora, Northridge, CA (US)

(73) Assignee: **ABL IP Holding LLC**, Conyers, GA (US)

(**) Term: **14 Years**

(21) Appl. No.: **29/400,492**

(22) Filed: **Aug. 29, 2011**

(51) **LOC (9) Cl.** **26-05**

(52) **U.S. Cl.** **D26/63**

(58) **Field of Classification Search** D26/60-66,
D26/67, 72, 81, 85, 87, 88, 89, 92, 118; 362/145,
362/147, 153, 153.1, 431, 432, 257, 269,
362/270, 274, 275, 277, 278, 280-285, 287,
362/288, 418, 413, 371-373, 264, 271, 319,
362/404, 408, 430, 157, 158, 171, 174, 267
See application file for complete search history.

(56) **References Cited**

U.S. PATENT DOCUMENTS

D161,294 S	*	12/1950	Sternaman	D26/138
D486,259 S	*	2/2004	Crawford et al.	D26/51
D624,224 S	*	9/2010	Guercio et al.	D26/61
D637,751 S	*	5/2011	Chiu	D26/63
D642,716 S	*	8/2011	Spaccasassi et al.	D26/63

OTHER PUBLICATIONS

Large scale floodlights, BEGA-US Sep. 2009.
DFS2 Series DecoFlood Small Round—39-100 W HID—Philips WideLite, 2011 Bulletin No. WLSP0329A0211, pp. 1-2.

DFS3 Series DecoFlood Medium Round—39-210 W HID—Philips WideLite, 2011—Bulletin No. WLSP0330A0211, pp. 1-2.
Kim Lighting AXF20 Axial Flood™—Integral Ballast—rev. Oct. 1, 2008—5646008275, pp. 1 and 3.
Kim Lighting AXF30 Axial Flood™—Integral Ballast—rev. Oct. 1, 2008—5646108275, pp. 1 and 3.
Design created by third party for Applicants upon which the Applicants then created the composite design, two pages, Sep. 29, 2009.

* cited by examiner

Primary Examiner — Susan M Lee

Assistant Examiner — Linda G. Brooks

(74) *Attorney, Agent, or Firm* — Connolly Bove Lodge & Hutz LLP

(57) **CLAIM**

The ornamental design for an light fixture and mounting therefor, as shown and described.

DESCRIPTION

FIG. 1 is a perspective view of the light fixture and mounting therefor showing the upper, left and back portions of the design.

FIG. 2 is a top view of the light fixture and mounting therefor.

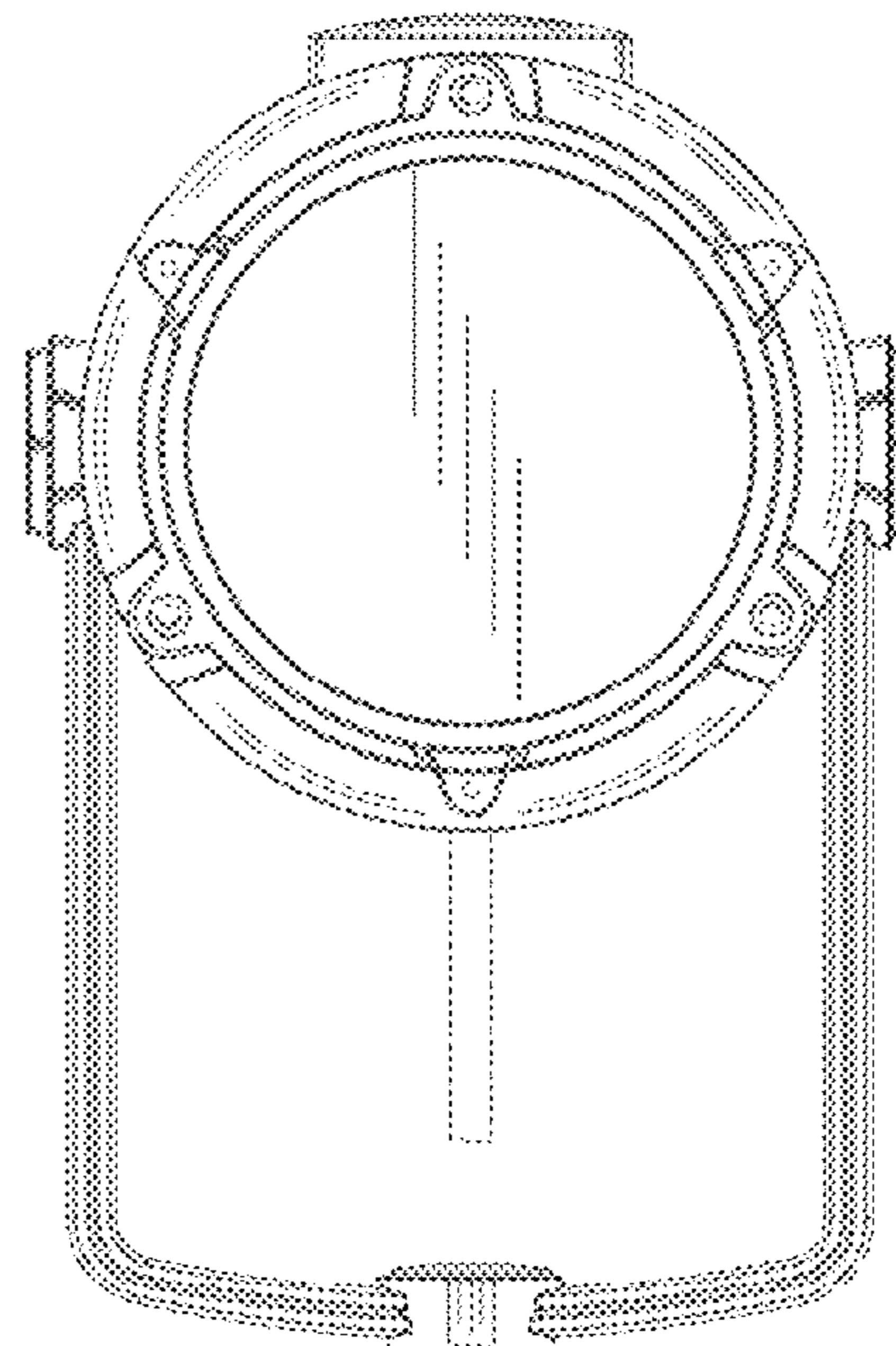
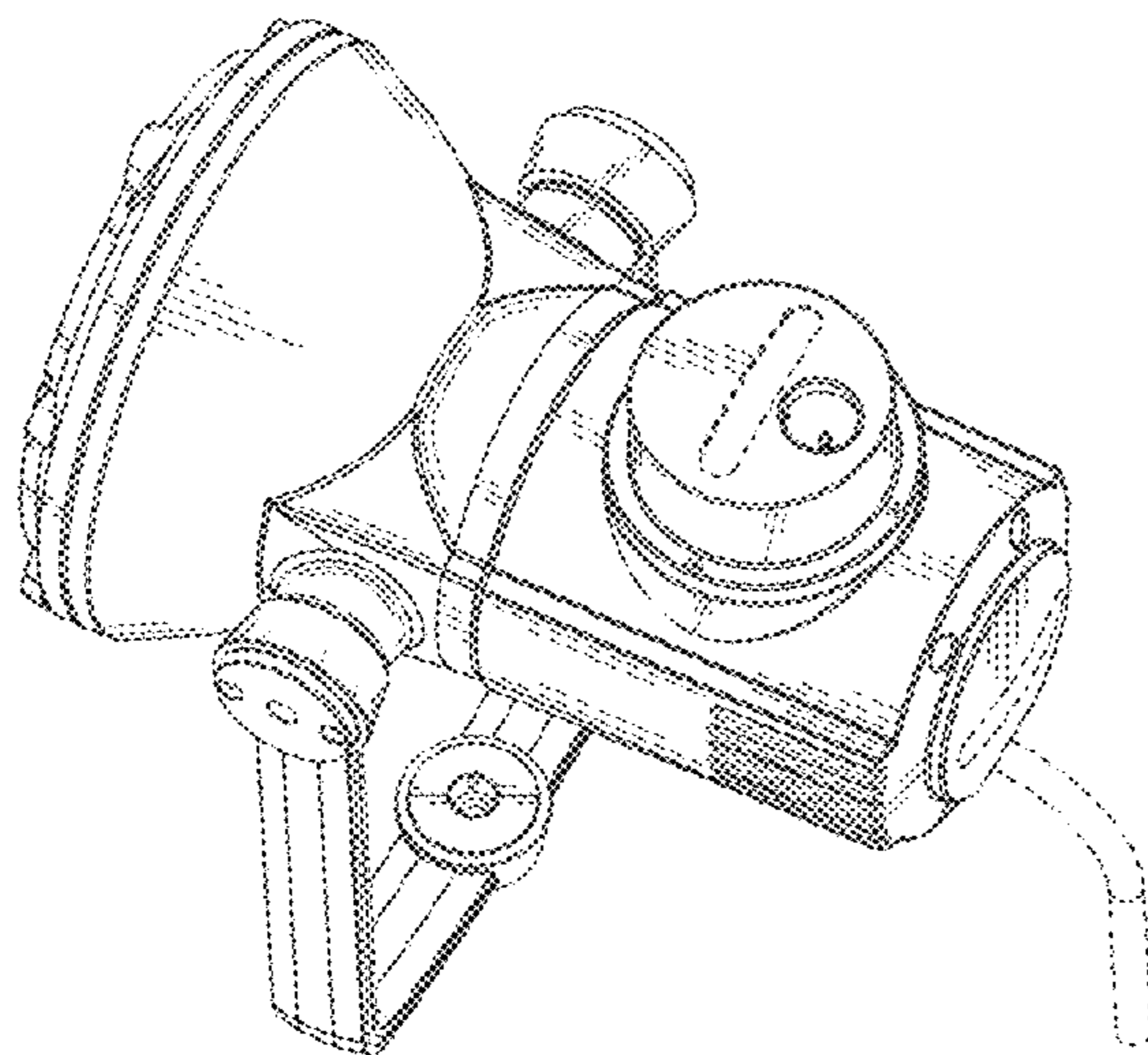
FIG. 3 is a left side view of the light fixture and mounting therefor, the device being symmetrical to either side of a center vertical plane such that the left and right side views are mirror images of one another.

FIG. 4 is a perspective view of the light fixture and mounting therefor showing the lower, left and back portions of the design; and,

FIG. 5 is front view of the light fixture and mounting therefor.

The elements in dashed lines do not form a part of the design. The truncated conical cavity centrally located on the mounting yoke seen in FIG. 4 does not form part of the design as it cannot be viewed in use.

1 Claim, 5 Drawing Sheets



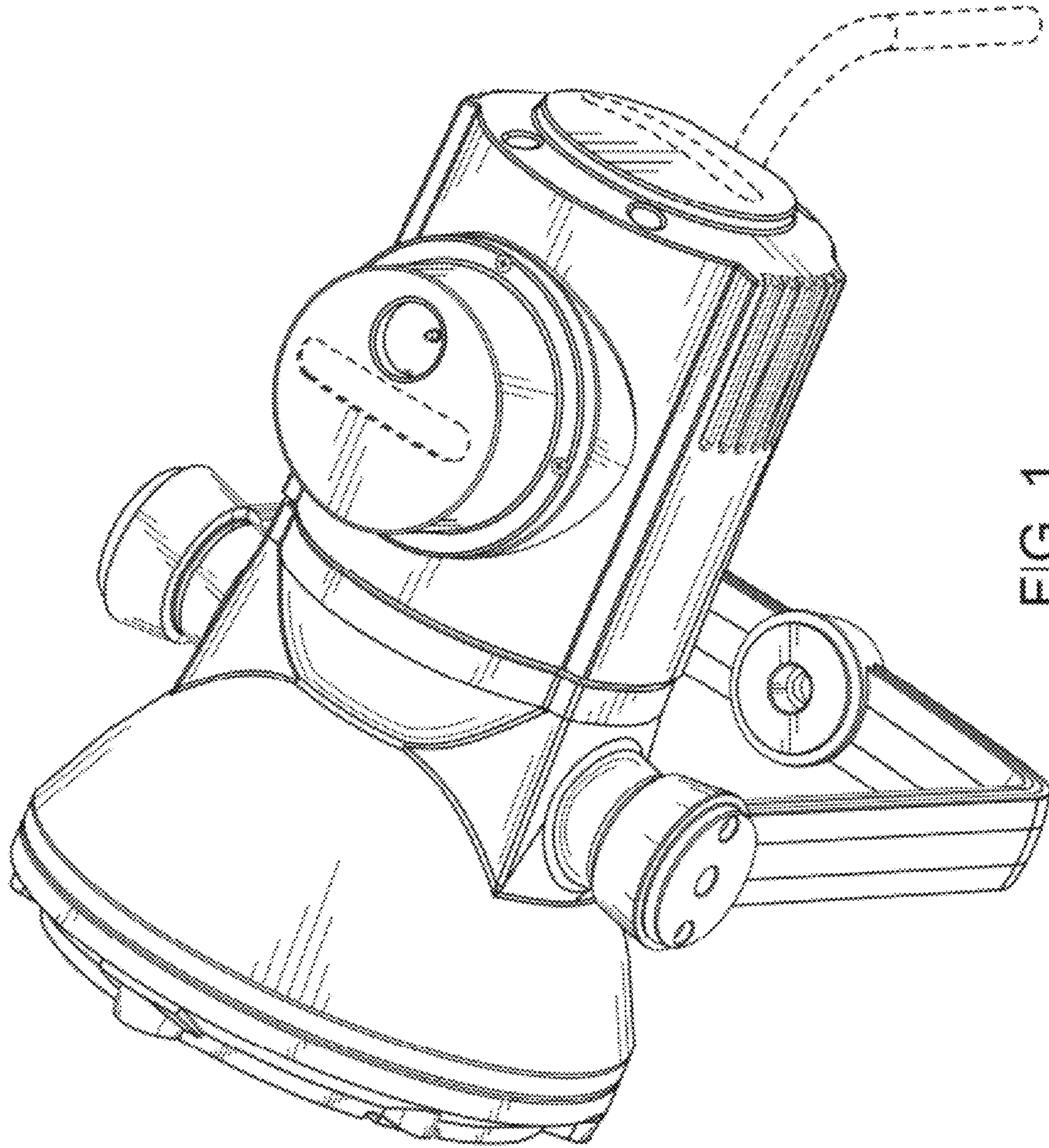


FIG. 1

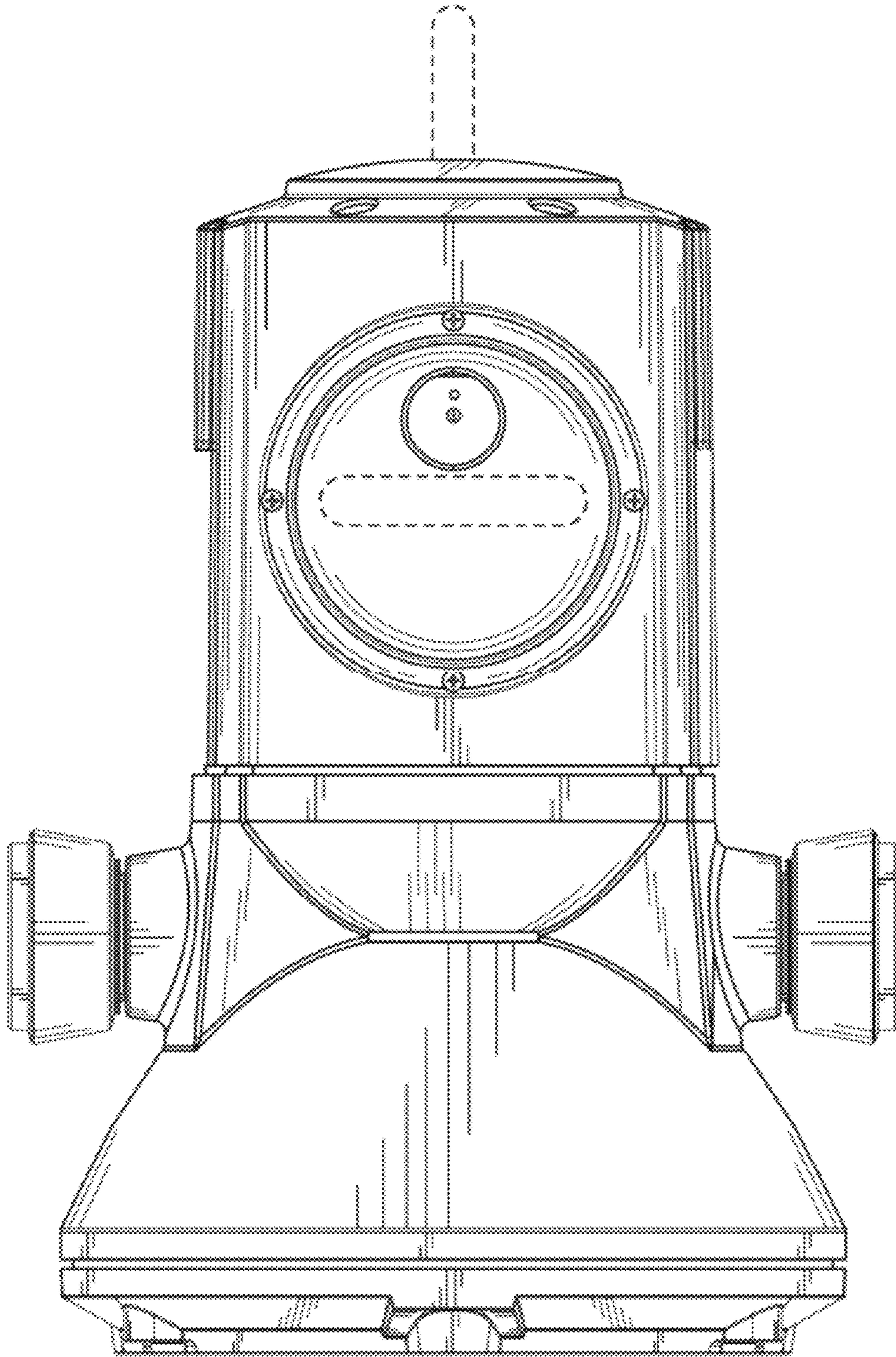


FIG. 2

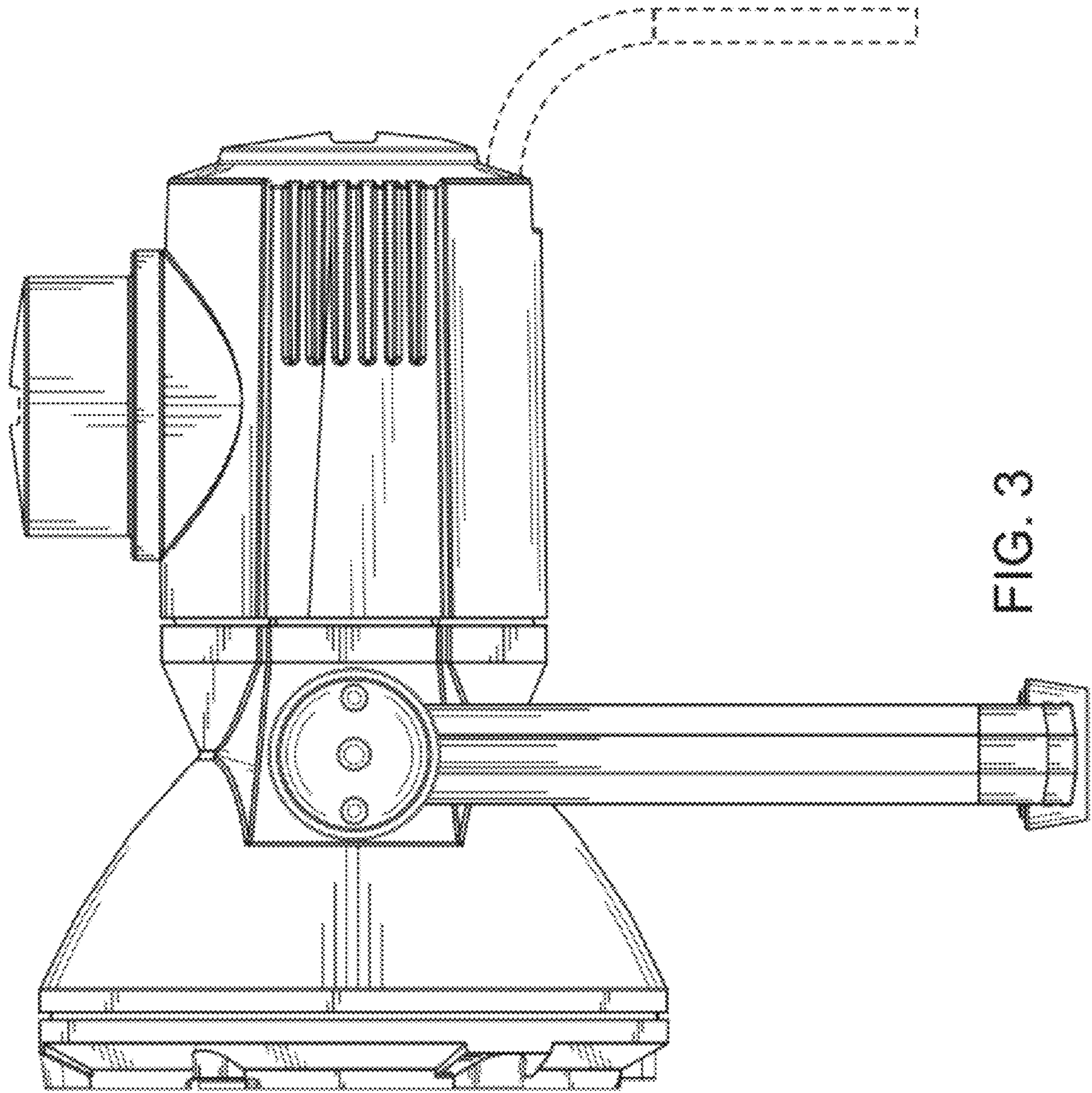


FIG. 3

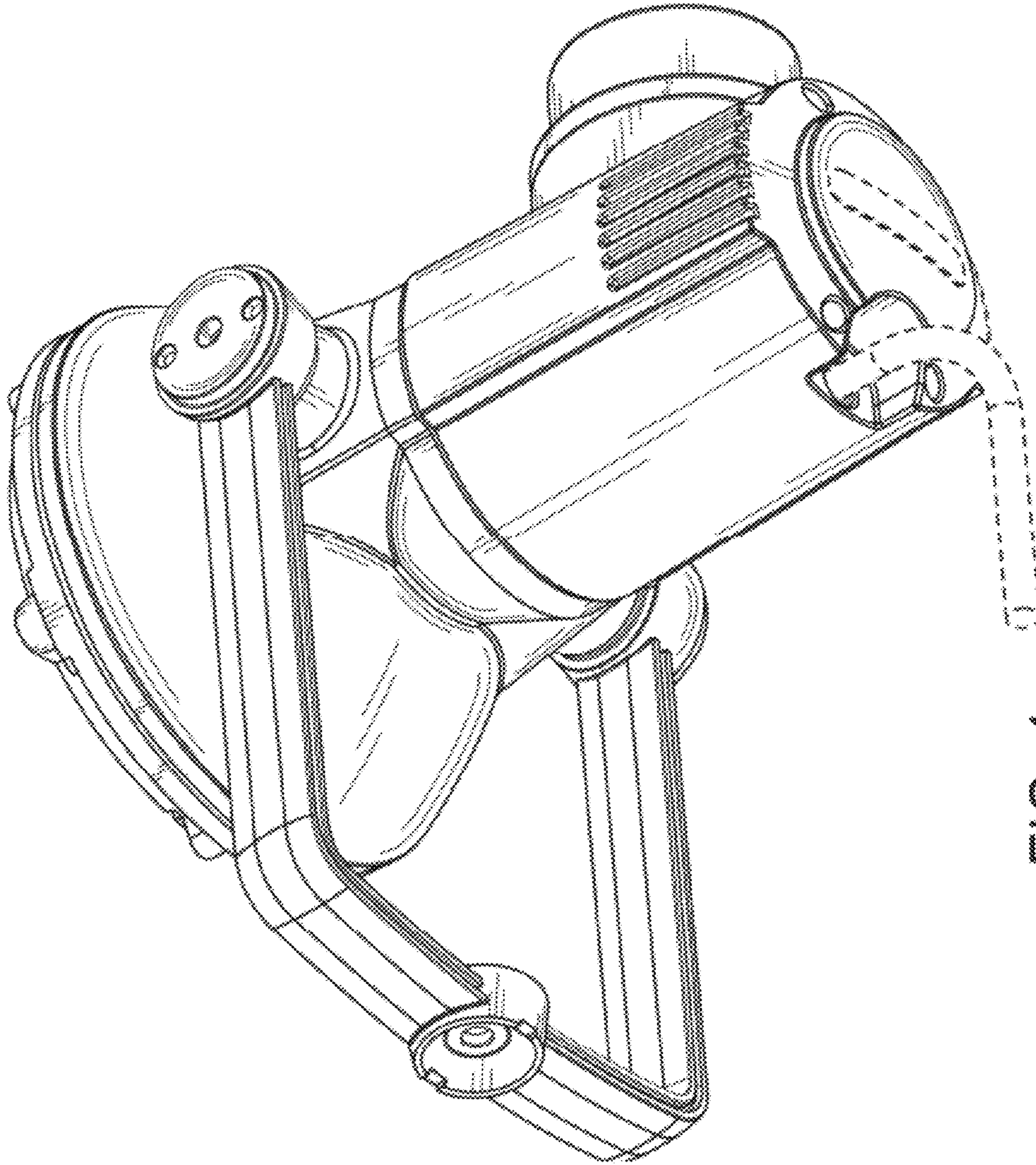


FIG. 4

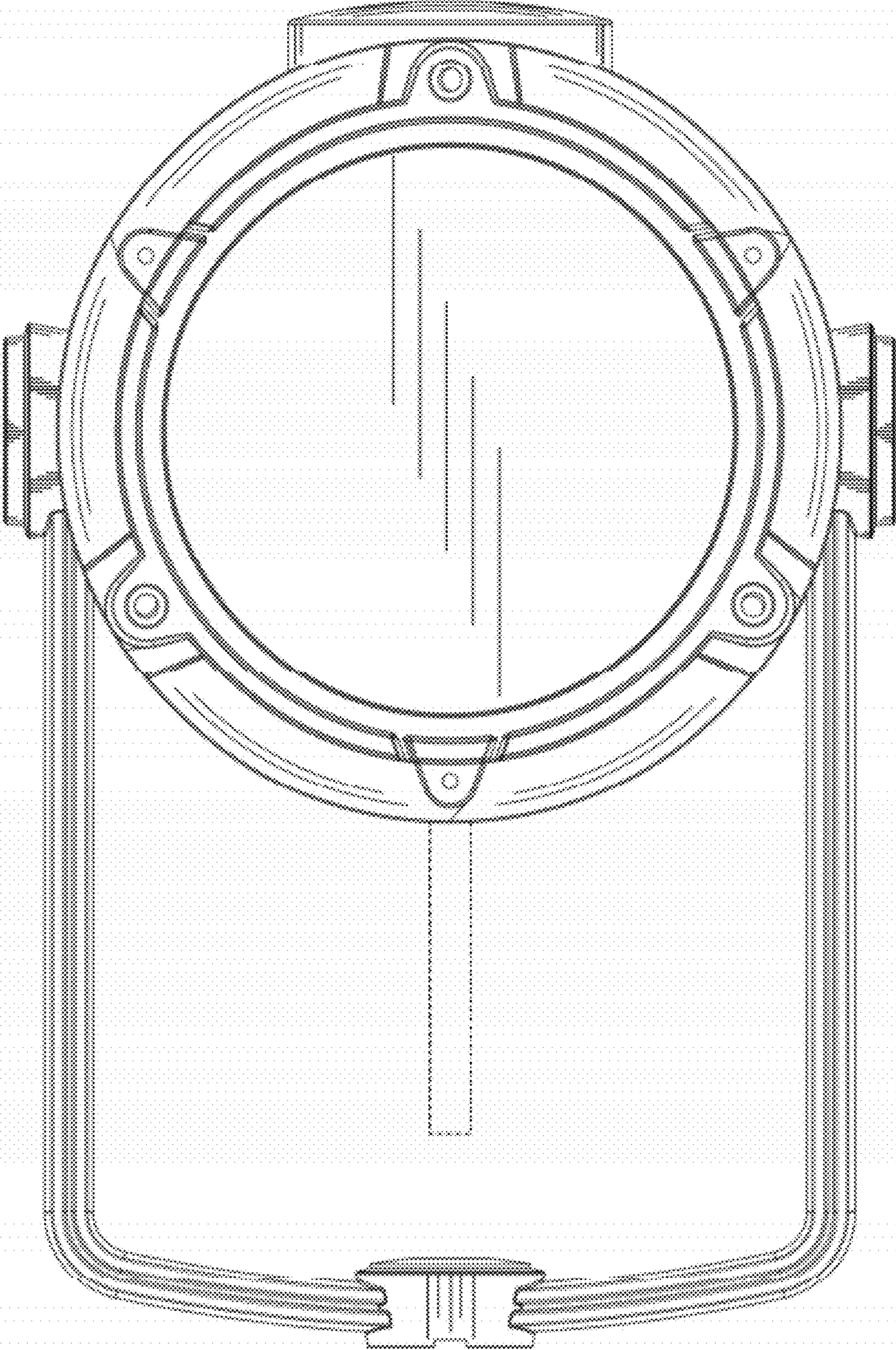


FIG. 5