

US00D663876S

(12) **United States Design Patent**
Tomita et al.

(10) **Patent No.:** **US D663,876 S**
(45) **Date of Patent:** **** Jul. 17, 2012**

(54) **ILLUMINATION DEVICE FOR INSPECTION**

(75) Inventors: **Ryoko Tomita**, Kyoto (JP); **Kenji Miura**, Uji (JP)

(73) Assignee: **CCS Inc.**, Kyoto-shi (JP)

(**) Term: **14 Years**

(21) Appl. No.: **29/399,725**

(22) Filed: **Aug. 17, 2011**

(30) **Foreign Application Priority Data**

Feb. 22, 2011 (JP) 2011-003634

(51) **LOC (9) Cl.** **26-02**

(52) **U.S. Cl.** **D26/37**

(58) **Field of Classification Search** D26/37,
D26/38, 39, 40, 43, 45, 46, 49, 51; 362/157,
362/158, 183, 185, 194-197, 200-208

See application file for complete search history.

(56) **References Cited**

U.S. PATENT DOCUMENTS

D390,985 S *	2/1998	Shiau	D26/43
D524,963 S *	7/2006	Thuma et al.	D26/38
D524,964 S *	7/2006	Thuma et al.	D26/38
D536,116 S *	1/2007	Sharrah	D26/43
D544,620 S *	6/2007	Son	D26/37
D563,002 S *	2/2008	Irizarry	D26/37
D565,218 S *	3/2008	Chien	D26/43
D565,219 S *	3/2008	Tung	D26/43
D612,082 S *	3/2010	Chang	D26/38

D612,083 S *	3/2010	Chang	D26/38
D619,292 S *	7/2010	Pei et al.	D26/76
D621,989 S *	8/2010	Proner	D26/76
D639,986 S *	6/2011	Wessel	D26/46

* cited by examiner

Primary Examiner — Ian Simmons

Assistant Examiner — Carissa C Fitts

(74) *Attorney, Agent, or Firm* — Alleman Hall McCoy Russell & Tuttle LLP

(57) **CLAIM**

The ornamental design for an illumination device for inspection, as shown and described.

DESCRIPTION

FIG. 1 is a front view of an illumination device for inspection; FIG. 2 is a rear view of the illumination device of FIG. 1; FIG. 3 is a right side view of the illumination device of FIG. 1; FIG. 4 is a left side view of the illumination device of FIG. 1; FIG. 5 is a top plan view of the illumination device of FIG. 1; and, FIG. 6 is a bottom plan view of the illumination device of FIG. 1.

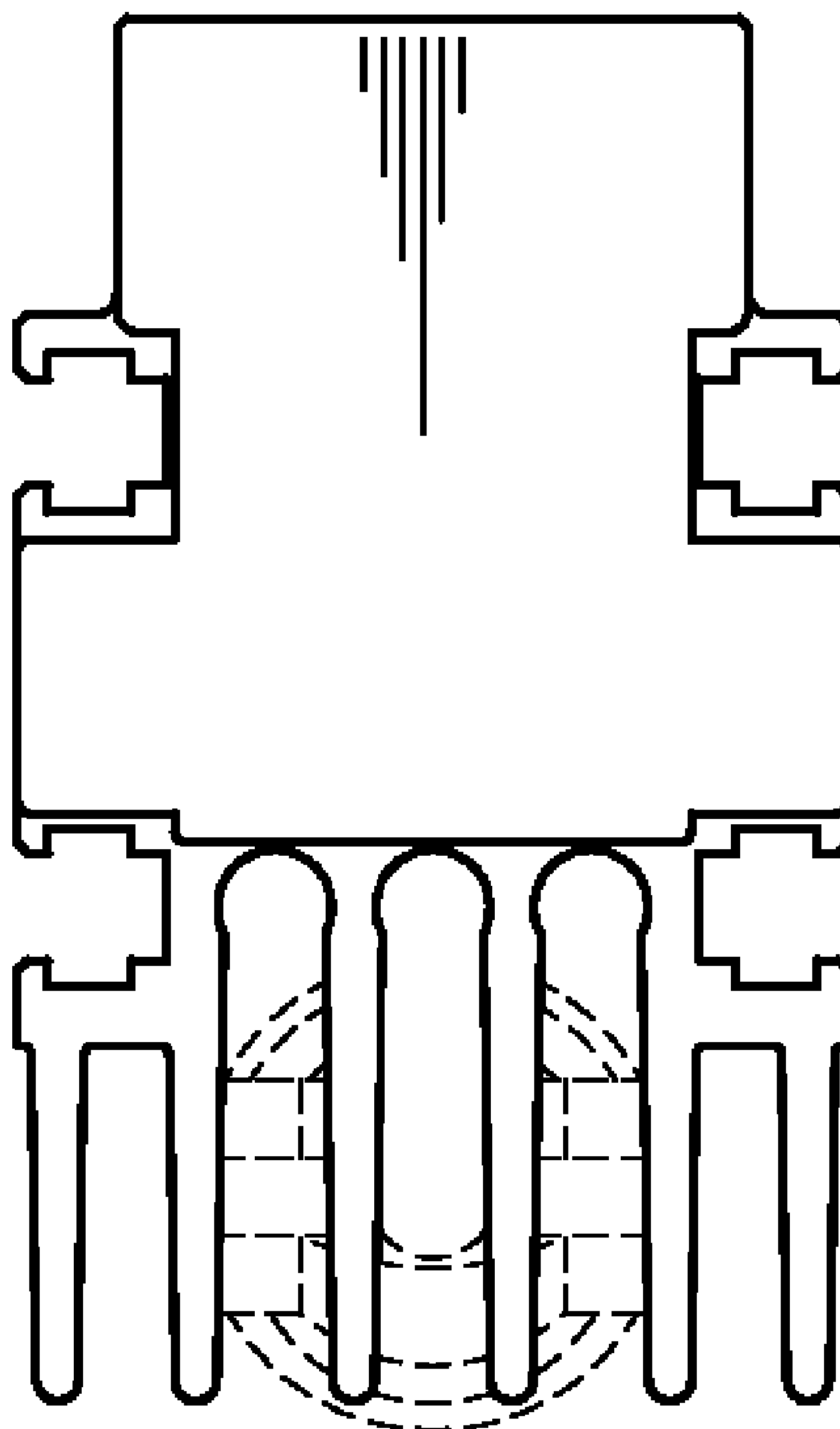
FIG. 7 is a perspective view from the left upper side of the illumination device of FIG. 1;

FIG. 8 is a perspective view from the right upper side of the illumination device of FIG. 1; and,

FIG. 9 is an enlarged left side view of the illumination device of FIG. 1.

The broken line showing of a power supply line and power plug is for environmental purposes only and forms no part of the claimed design.

1 Claim, 5 Drawing Sheets



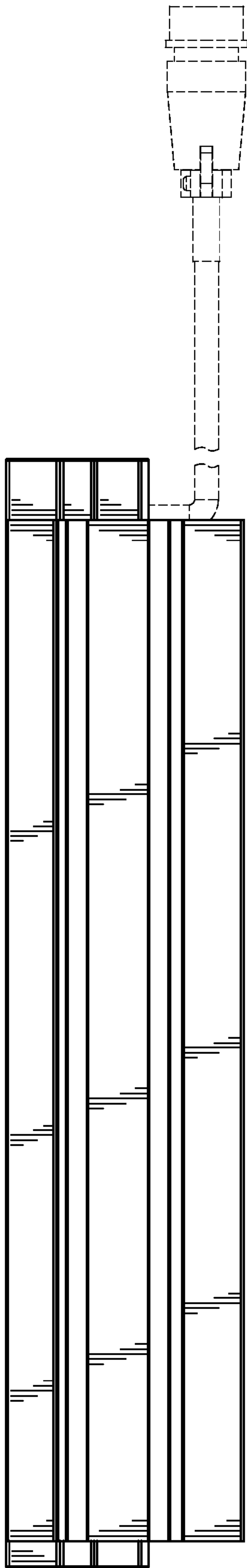


FIG. 1

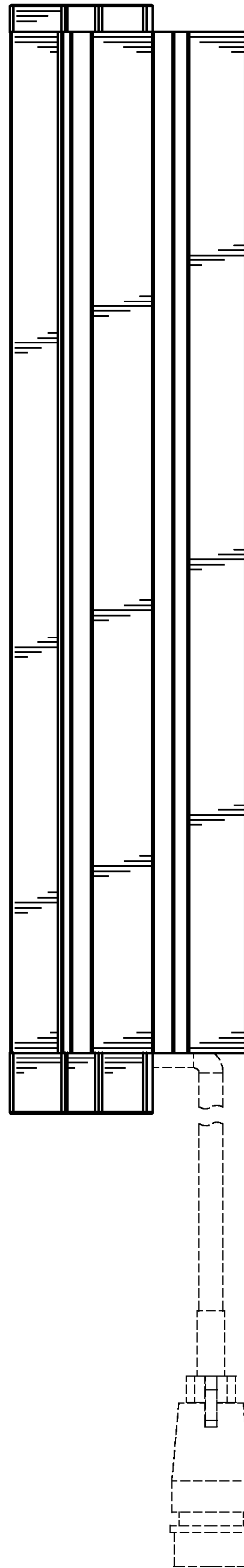


FIG. 2

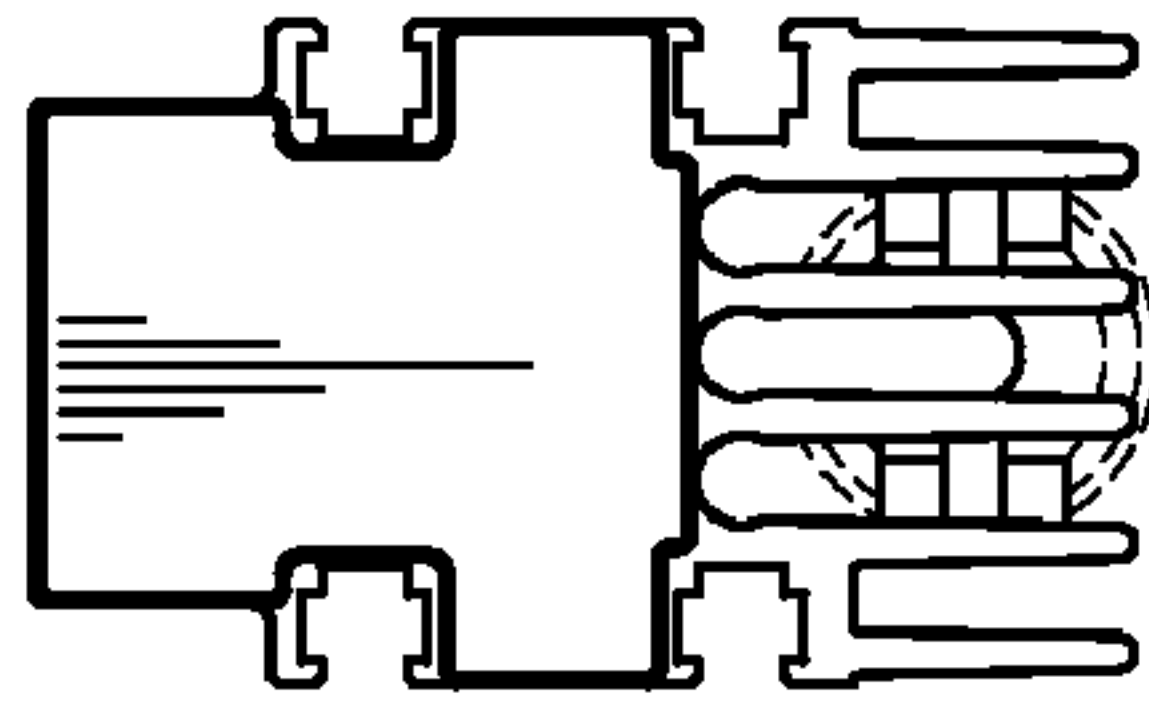


FIG. 4

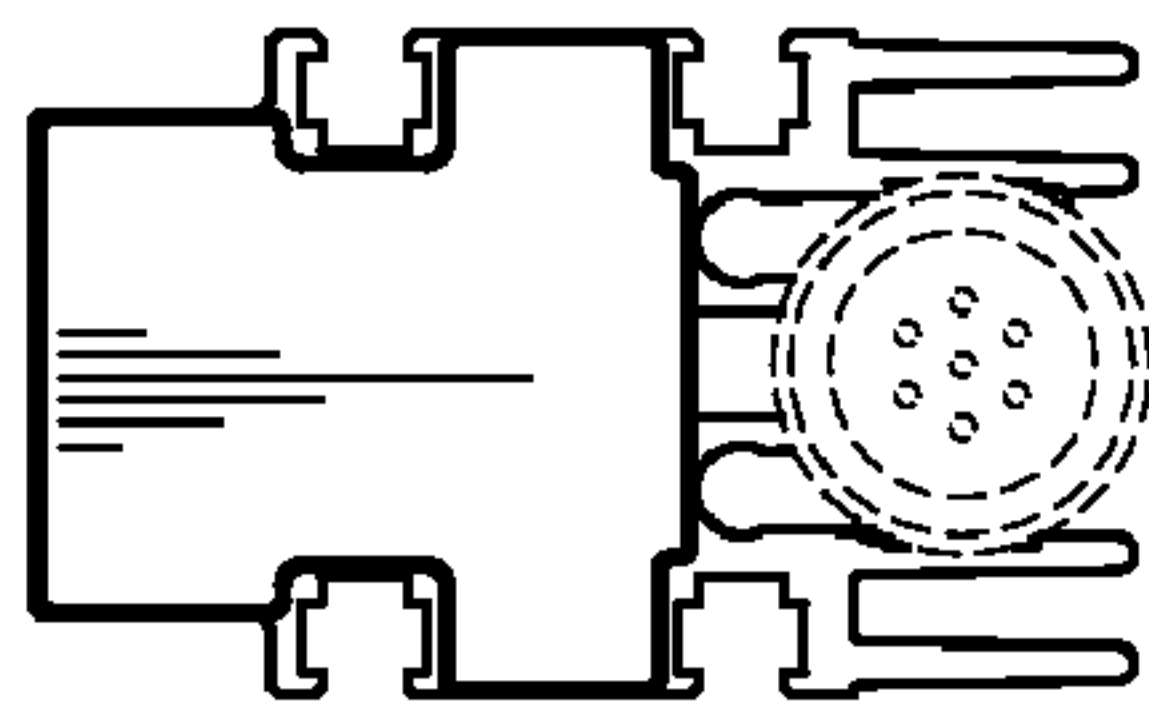


FIG. 3

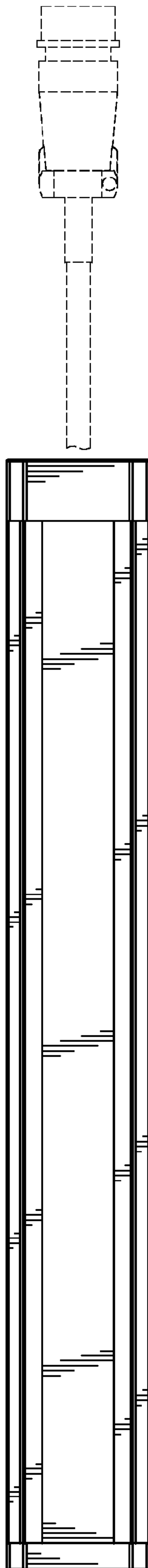


FIG. 5

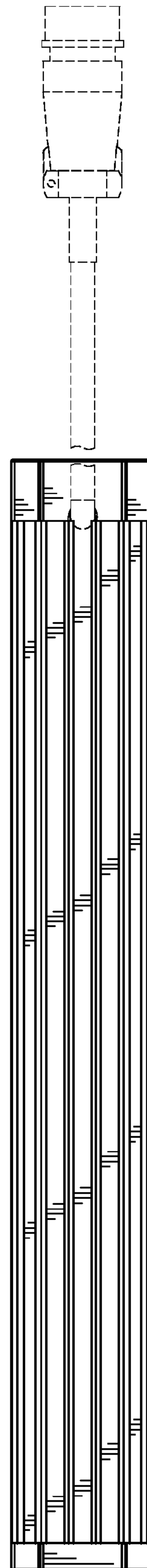


FIG. 6

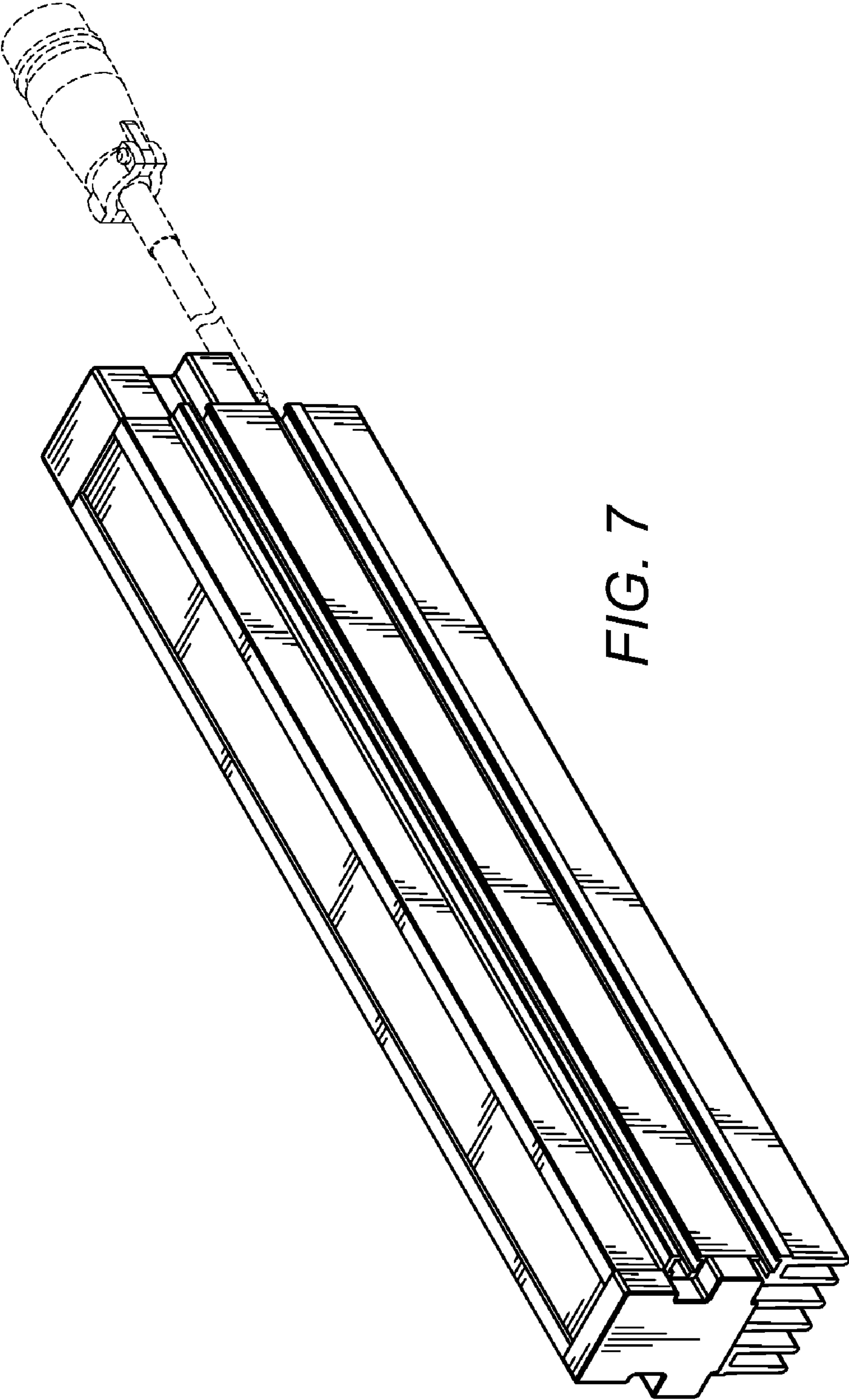


FIG. 7

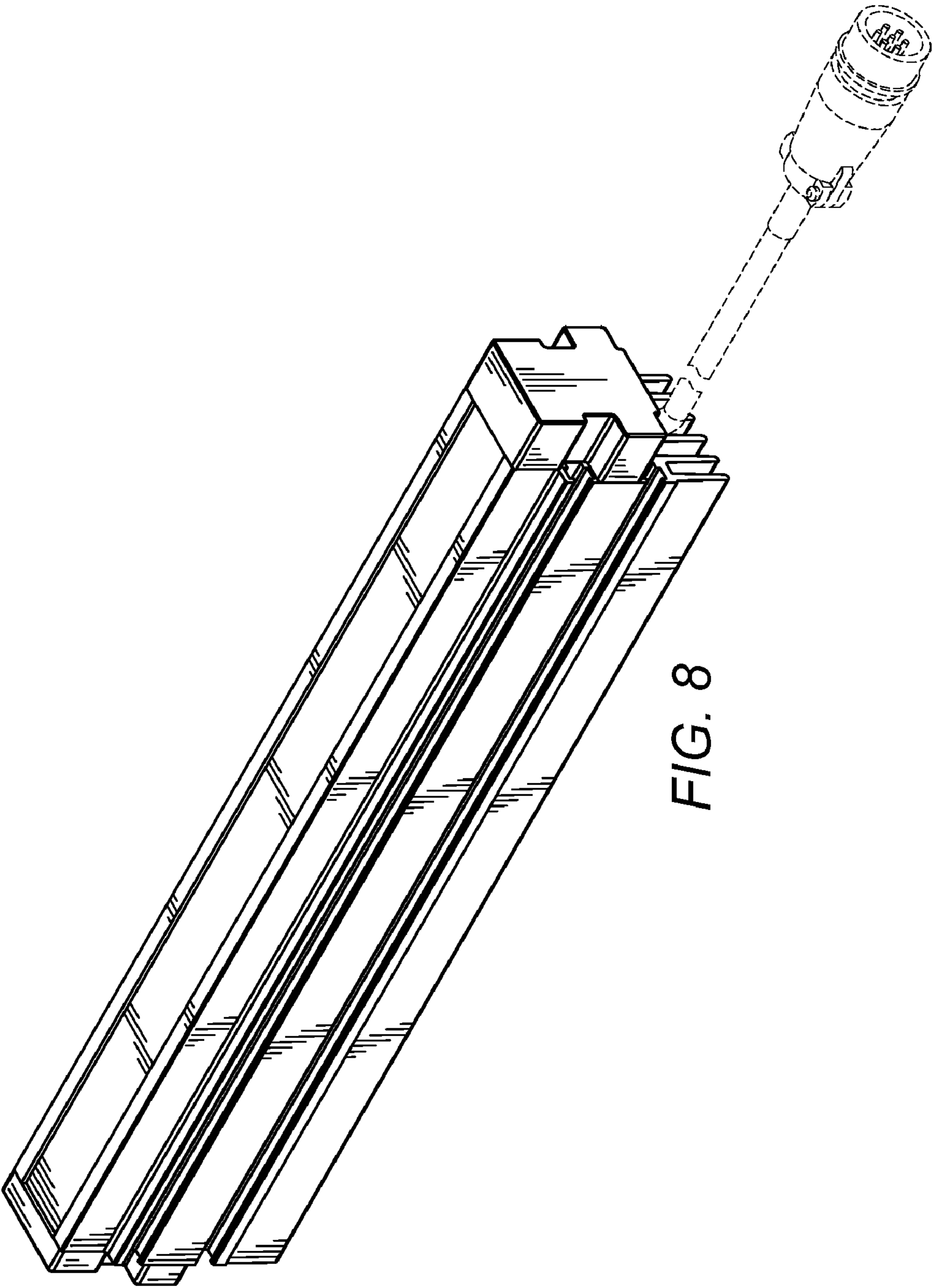


FIG. 8

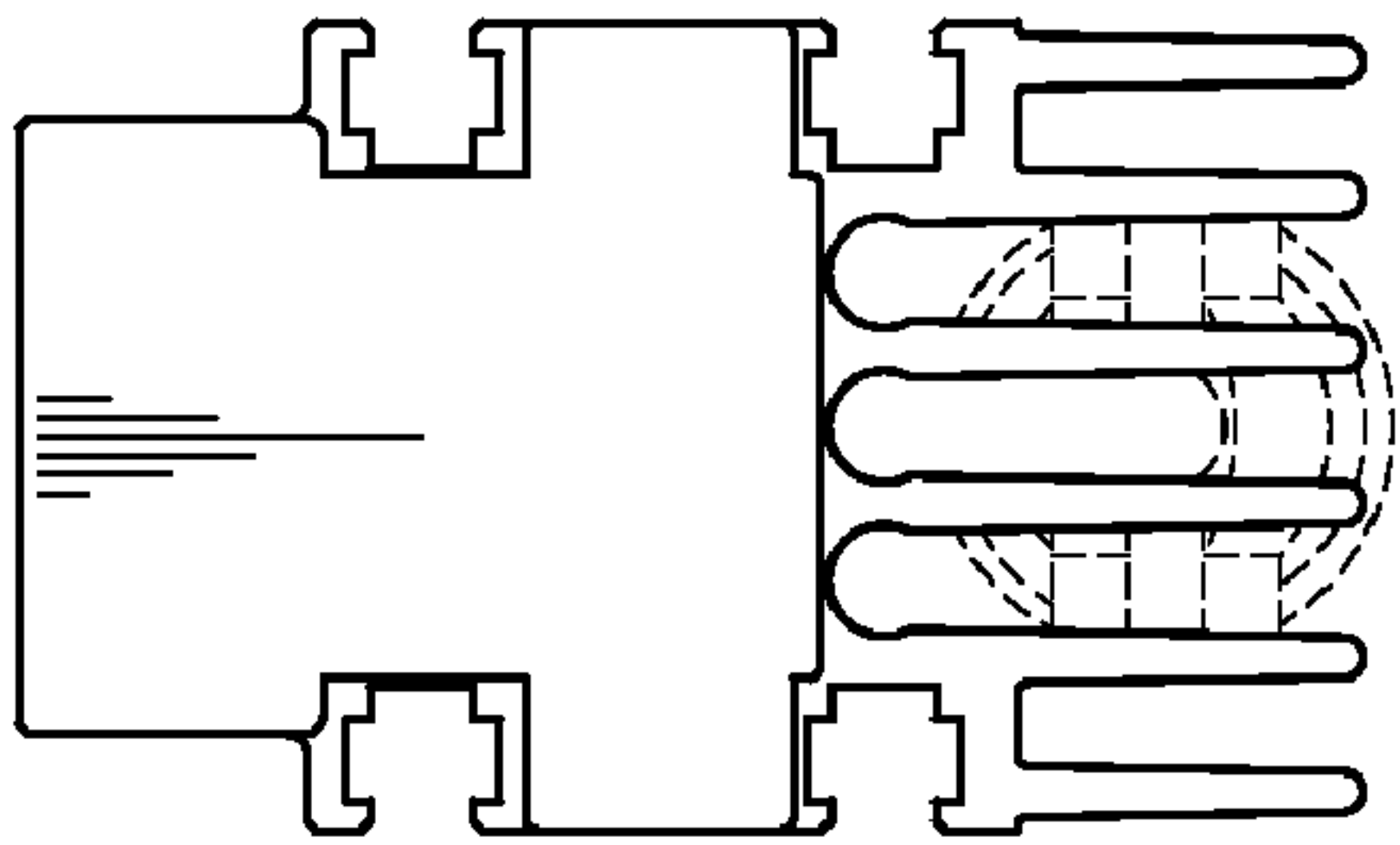


FIG. 9