

US00D663872S

(12) **United States Design Patent**
Blondeau

(10) **Patent No.:** **US D663,872 S**
(45) **Date of Patent:** **** Jul. 17, 2012**

(54) **REAR LAMP FOR AN AUTOMOBILE**

(75) Inventor: **Nicolas Blondeau**, Yokosuka (JP)

(73) Assignee: **Toyota Jidosha Kabushiki Kaisha**,
Toyota-shi (JP)

(**) Term: **14 Years**

(21) Appl. No.: **29/382,490**

(22) Filed: **Jan. 4, 2011**

(51) **LOC (9) Cl.** **26-06**

(52) **U.S. Cl.** **D26/28**

(58) **Field of Classification Search** D26/28-36;
362/459-468, 475-478, 485-487

See application file for complete search history.

(56) **References Cited**

U.S. PATENT DOCUMENTS

D549,363	S	*	8/2007	Pfeiffer	D26/28
D552,769	S	*	10/2007	Leclercq	D26/28
D553,268	S	*	10/2007	Pfeiffer	D26/28
D553,269	S	*	10/2007	Pfeiffer et al.	D26/28
D565,211	S	*	3/2008	Haller et al.	D26/28
D570,015	S	*	5/2008	Hsu	D26/28
D574,524	S	*	8/2008	Tomatsu	D26/28
D592,770	S	*	5/2009	Bauer et al.	D26/28
D605,793	S	*	12/2009	Weil	D26/28
D620,157	S	*	7/2010	Frenzel et al.	D26/28

OTHER PUBLICATIONS

Toyota Verso, Mfg. Toyota; Website: Netcarshow.com;URL: http://www.netcarshow.com/toyota/2010-verso/1600x1200/wallpaper_10.htm; Oct. 21, 2011.

Daihatsu Mira, Mfg. Daihatsu; Website: Wikipedia (Japanese language); URL: http://ja.wikipedia.org/wiki/%E3%83%95%E3%82%A1%E3%82%A4%E3%83%AB:7th_generation_Daihatsu_Mira_rear.jpg; Oct. 21, 2011.

* cited by examiner

Primary Examiner — Marcus Jackson

(74) *Attorney, Agent, or Firm* — Finnegan, Henderson, Farabow, Garrett & Dunner, LLP

(57) **CLAIM**

The ornamental design for a rear lamp for an automobile, as shown and described.

DESCRIPTION

FIG. 1 is a front perspective view of a rear lamp for an automobile of our new design;

FIG. 2 is a front view thereof;

FIG. 3 is a left side view thereof;

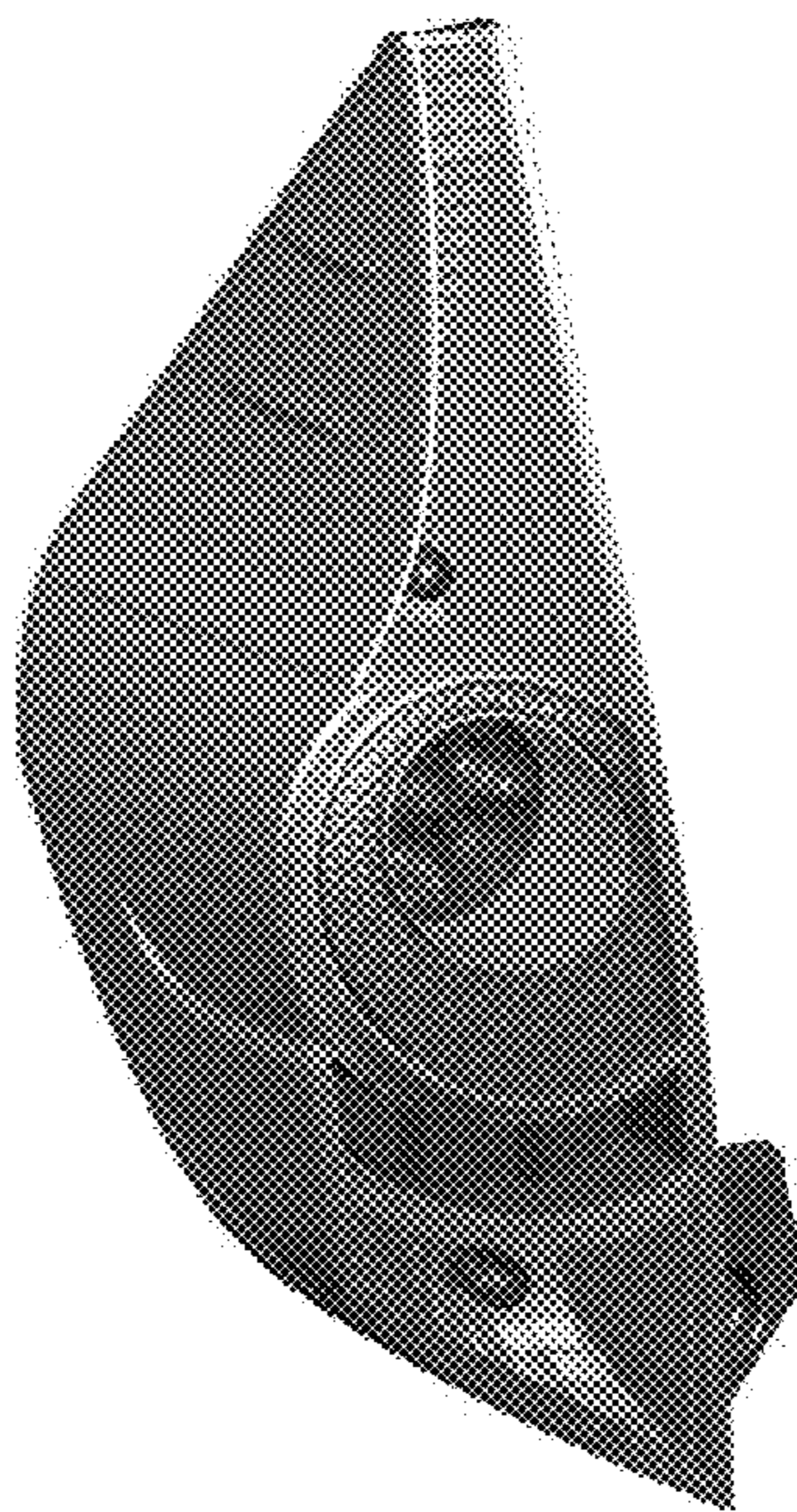
FIG. 4 is a right side view thereof;

FIG. 5 is a top plan view thereof; and,

FIG. 6 is a bottom view thereof.

My design includes the mirror image of the embodiment depicted.

1 Claim, 4 Drawing Sheets



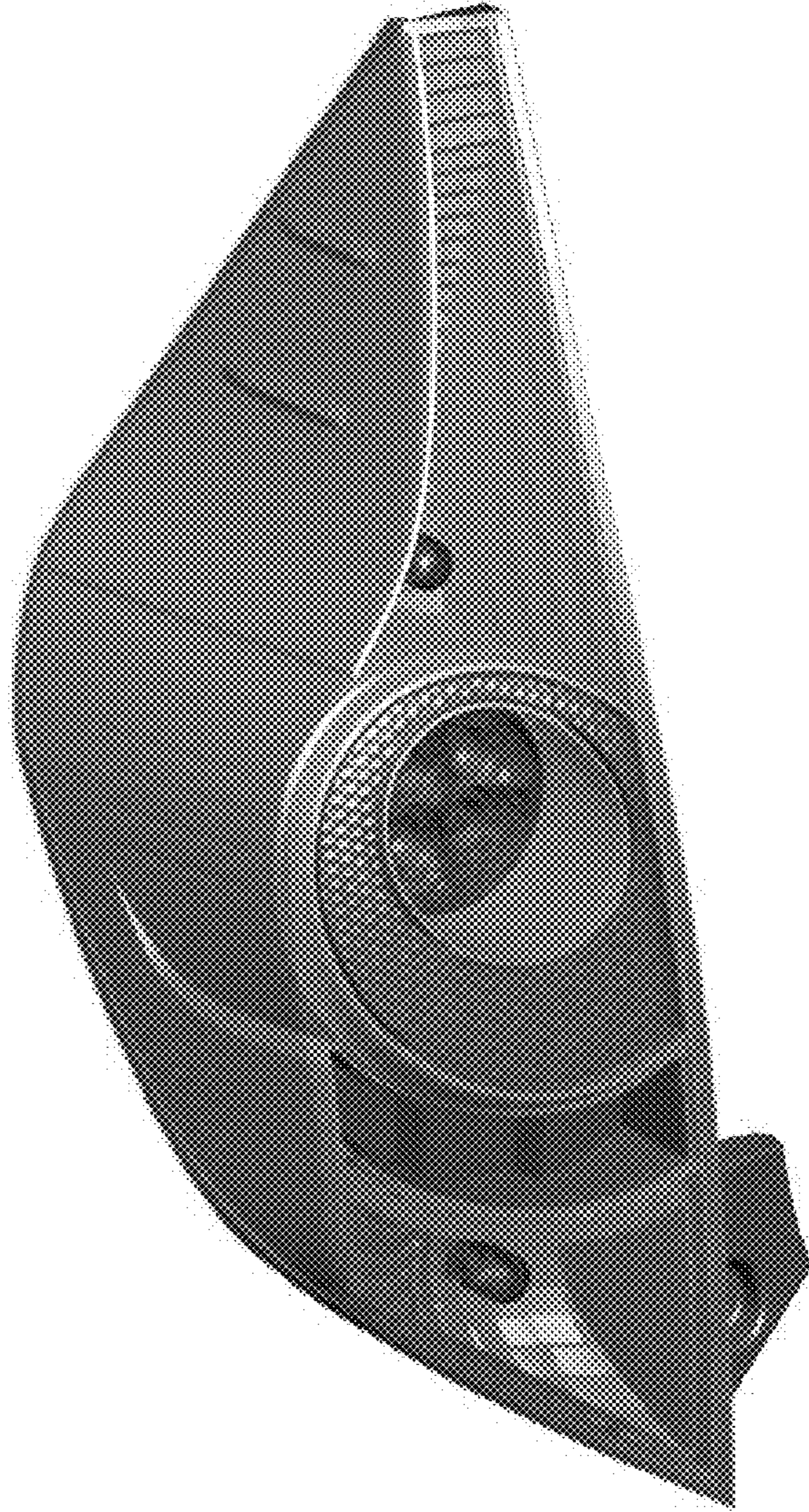


FIG. 1

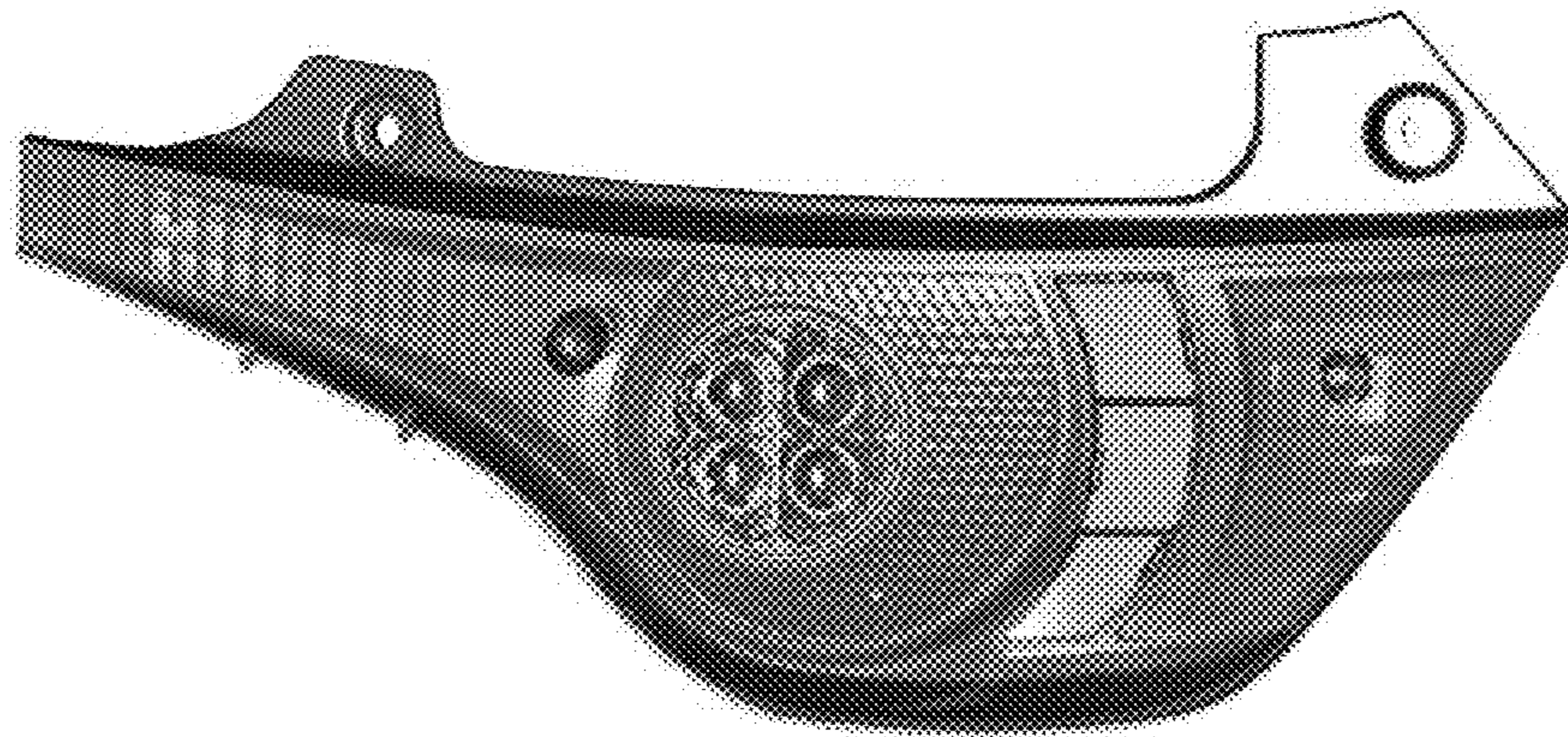


FIG. 2

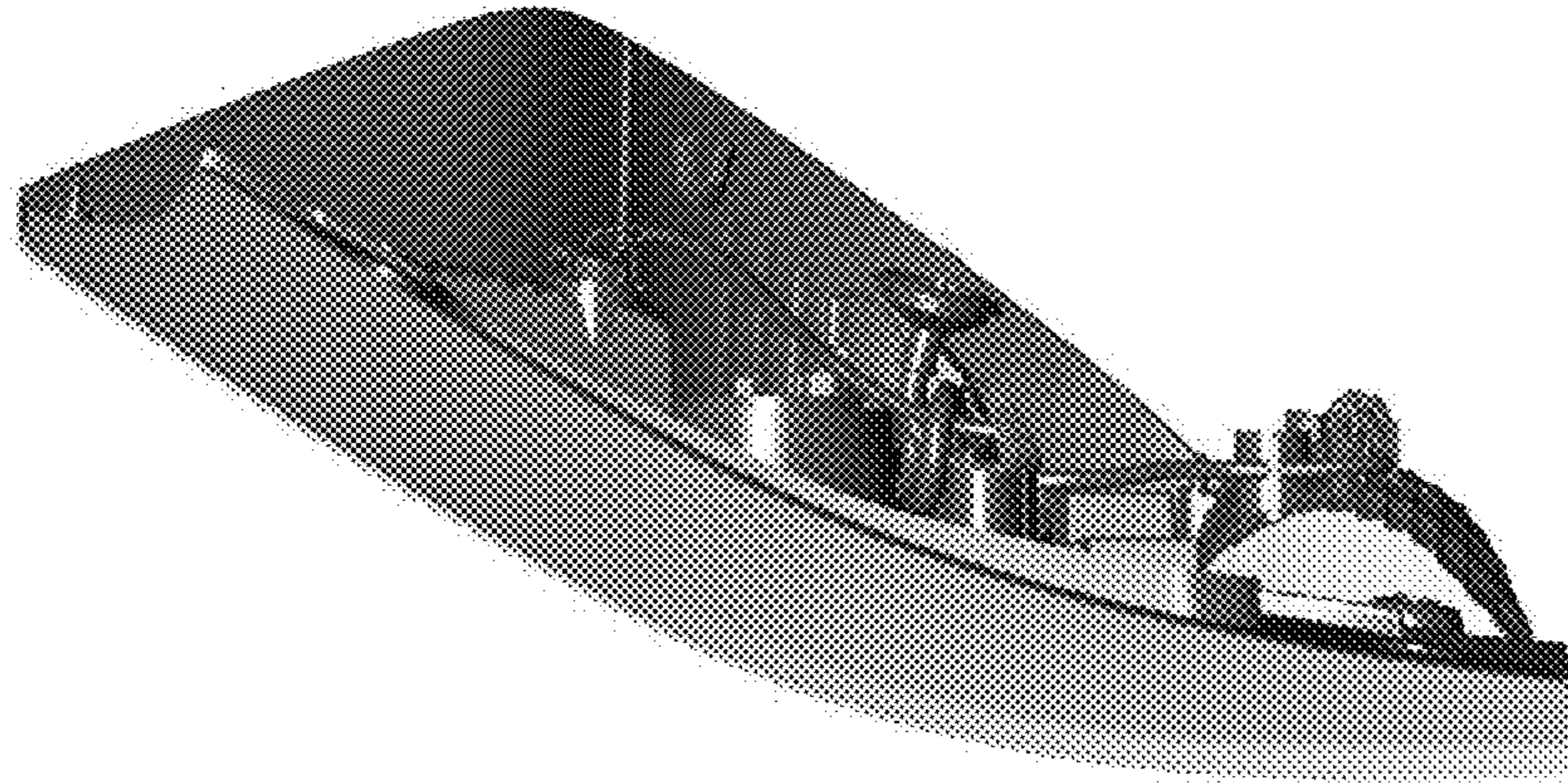


FIG. 4

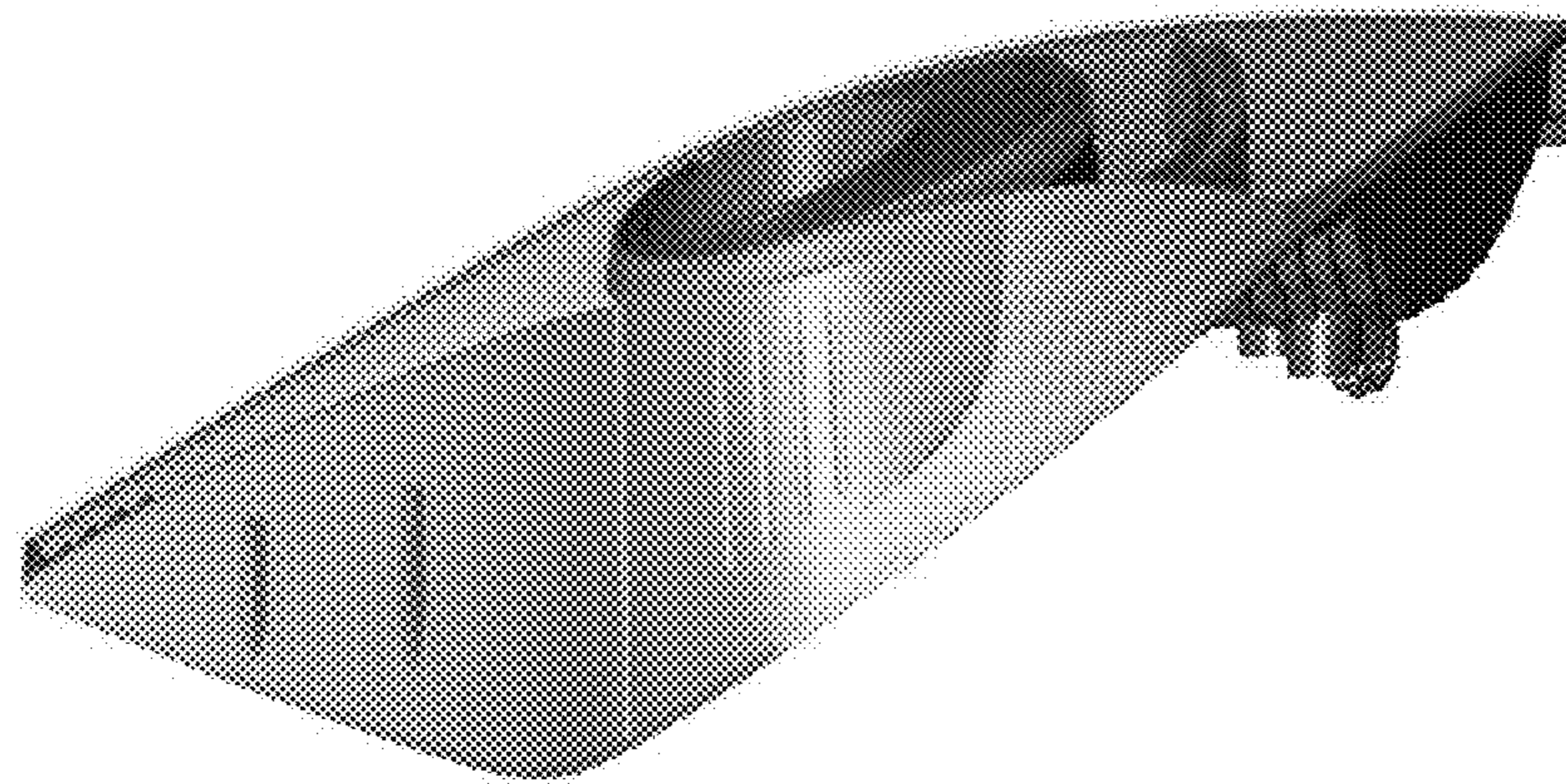


FIG. 3

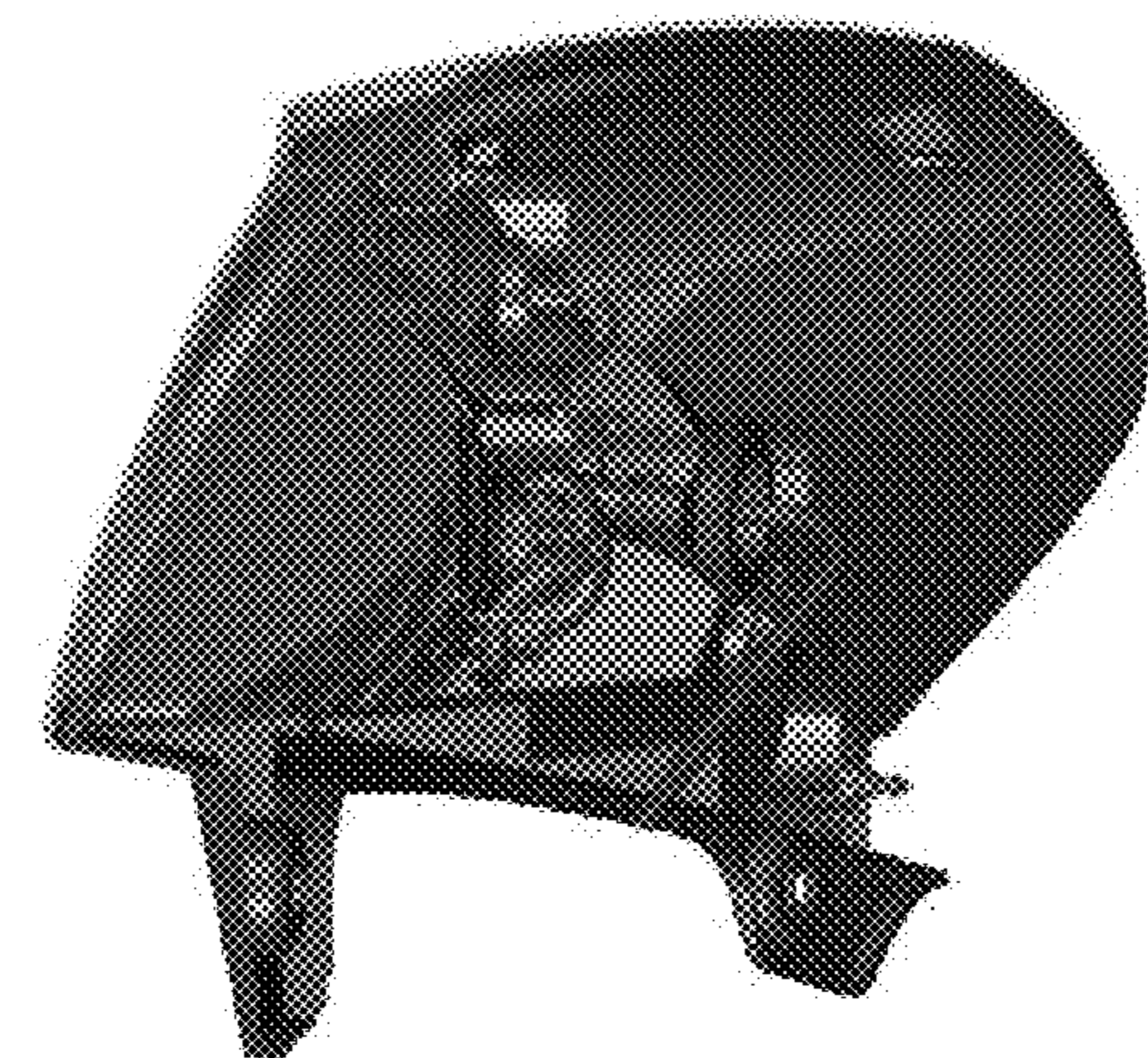


FIG. 5



FIG. 6