



US00D663871S

(12) **United States Design Patent**
Grigorescu

(10) **Patent No.:** **US D663,871 S**
(45) **Date of Patent:** **** Jul. 17, 2012**

(54) **REFLECTOR, AN OPTICAL MODULE
HAVING AT LEAST ONE REFLECTOR FOR A
HEADLAMP OR TAIL LAMP OF A VEHICLE**

Primary Examiner — Marcus Jackson
(74) *Attorney, Agent, or Firm* — Jacox, Meckstroth & Jenkins

(75) **Inventor:** **Benony Grigorescu**, Waterloo (BE)

(73) **Assignee:** **Valeo Vision**, Bobigny (FR)

(**) **Term:** **14 Years**

(21) **Appl. No.:** **29/314,256**

(22) **Filed:** **Mar. 17, 2009**

(30) **Foreign Application Priority Data**

Sep. 17, 2008 (WO) DM/071 022

(51) **LOC (9) Cl.** **26-06**

(52) **U.S. Cl.** **D26/28**

(58) **Field of Classification Search** D26/28-36;
362/459-468, 475-478, 485-487
See application file for complete search history.

(56) **References Cited**

U.S. PATENT DOCUMENTS

D561,359 S * 2/2008 Hsu D26/28

D573,282 S * 7/2008 Hsu D26/28

* cited by examiner

(57) **CLAIM**

The ornamental design for a reflector, an optical module having at least one reflector for a headlamp or tail lamp of a vehicle, as shown and described in FIGS. 1-4.

DESCRIPTION

The file of this patent contains at least one drawing executed in color. Copies of this patent with color drawing(s) will be provided by the Patent and Trademark Office upon request and payment of the necessary fee.

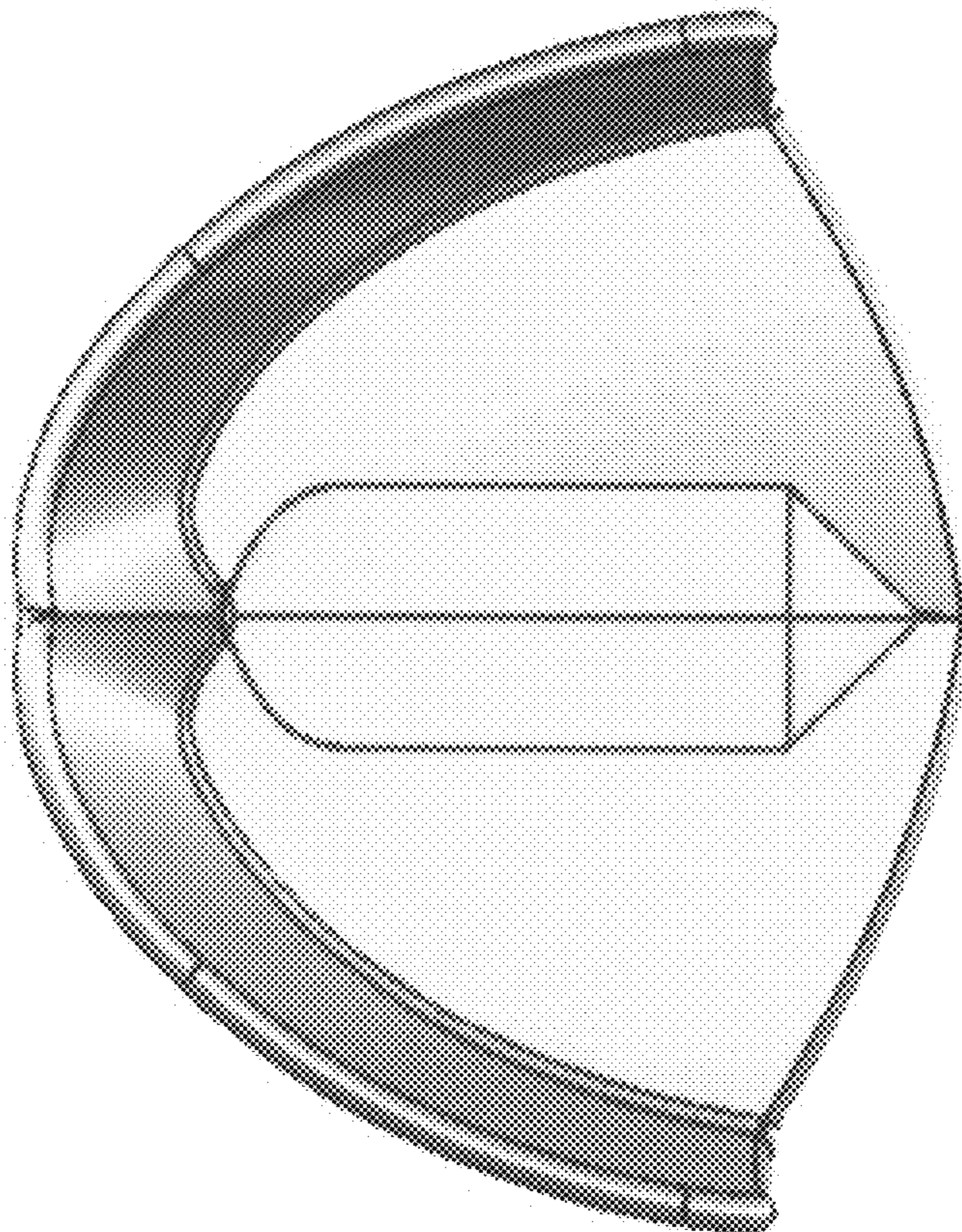
FIG. 1 is a top view of a reflector having a plurality of reflective surfaces in accordance with one embodiment of the invention;

FIG. 2 is a perspective view of the reflector in FIG. 1 in accordance with one embodiment of the invention;

FIG. 3 is a right side view of the reflector in FIG. 1, with the left side being a mirror image; and,

FIG. 4 is a front view of the reflector in FIG. 1.

1 Claim, 1 Drawing Sheet
(1 of 1 Drawing Sheet(s) Filed in Color)



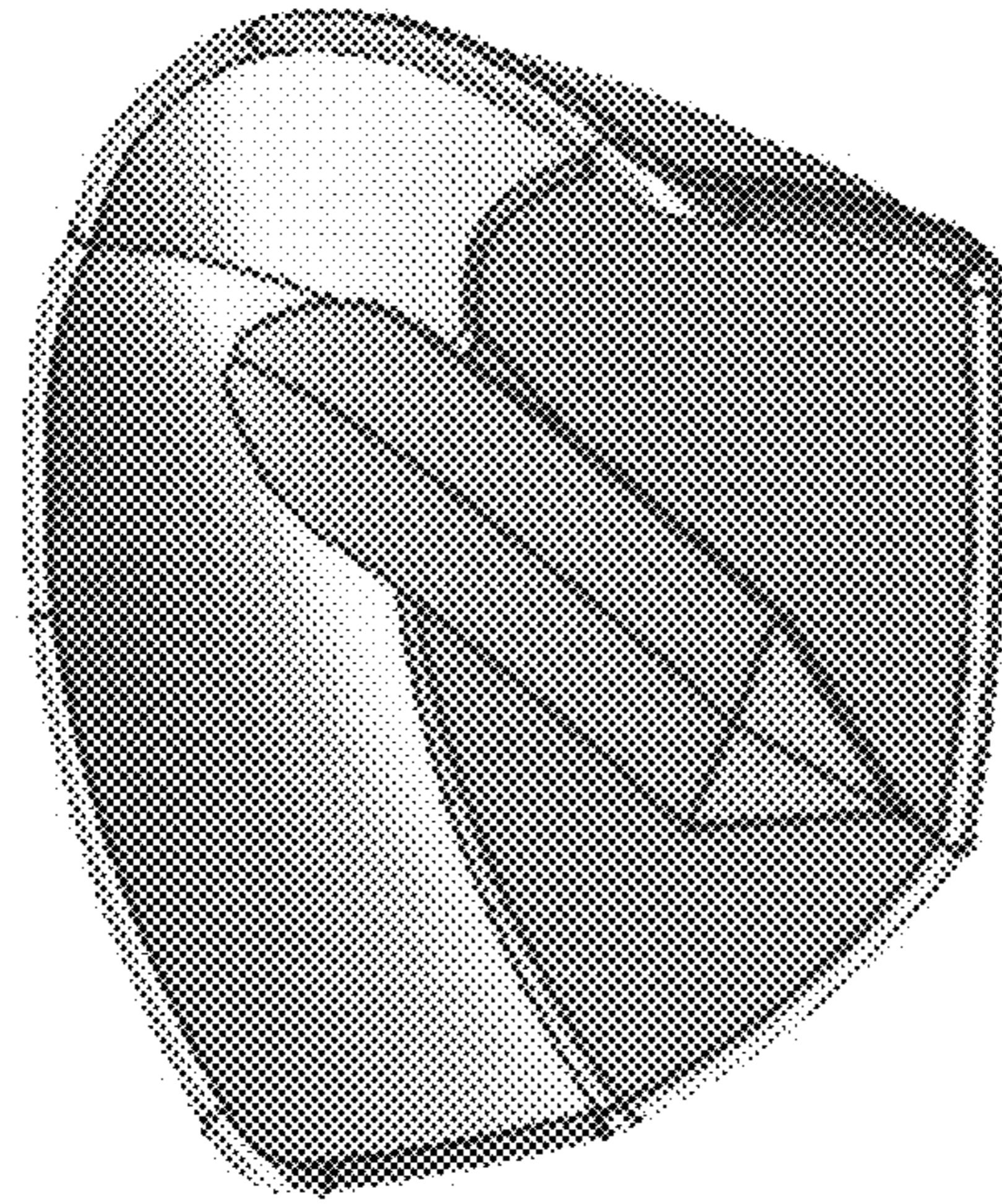


FIG - 2

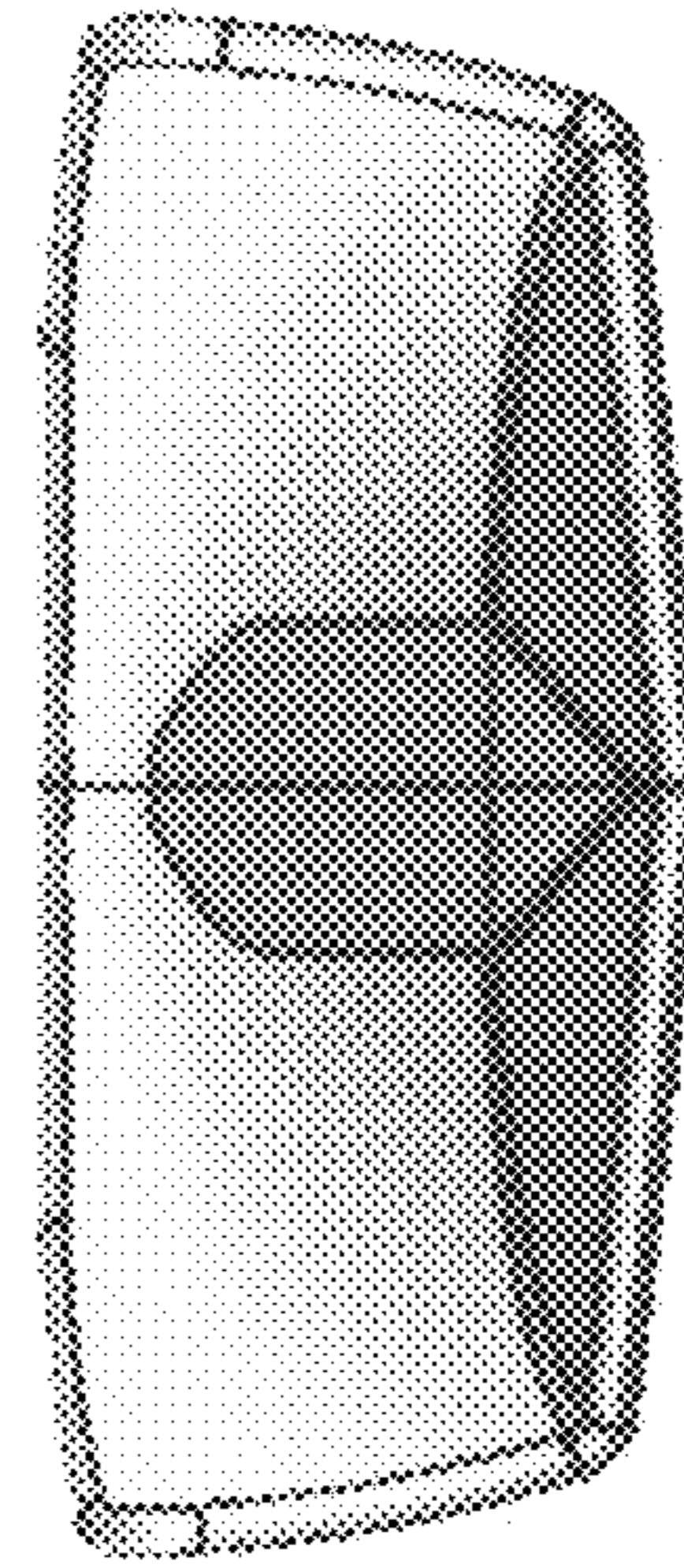


FIG - 4

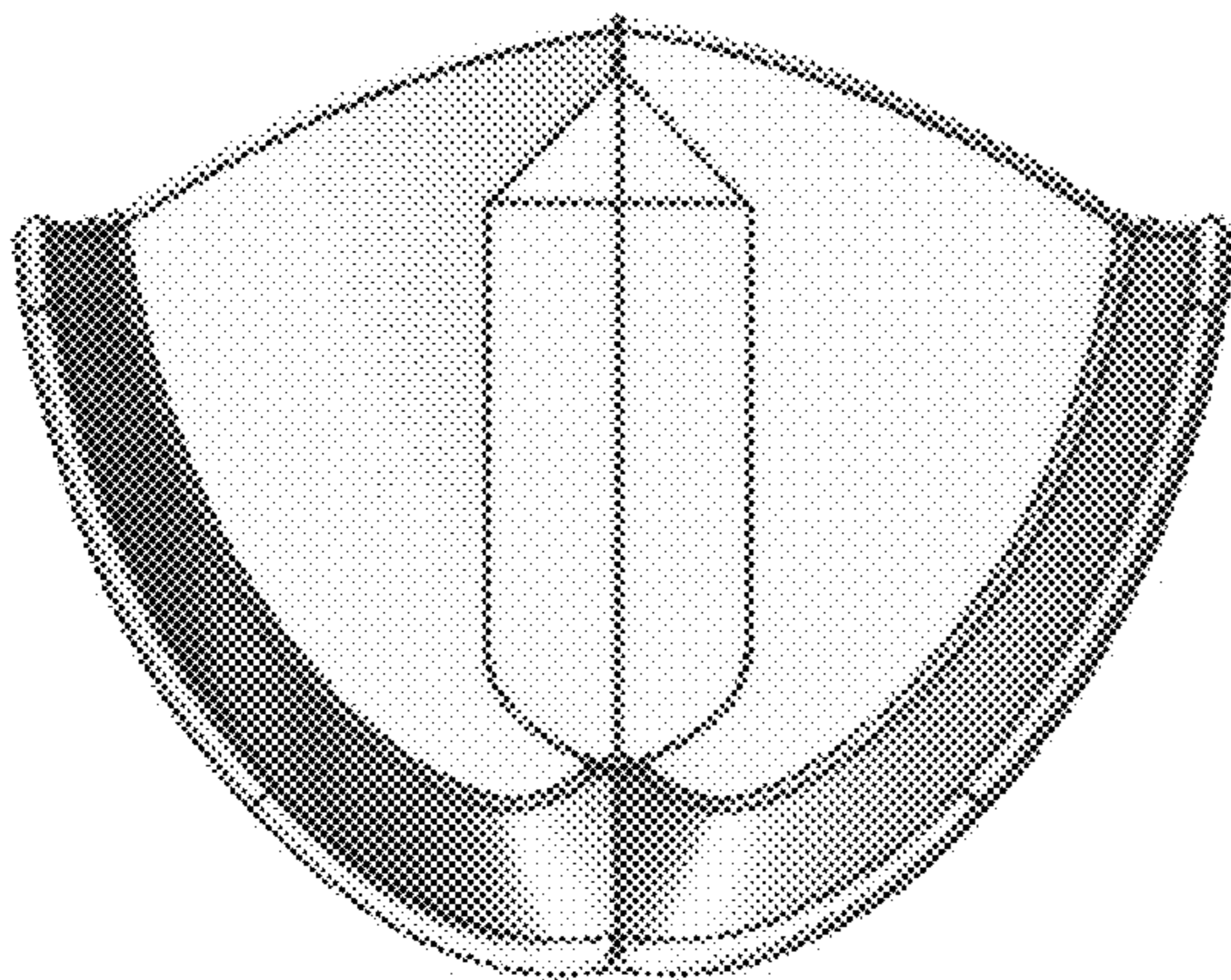


FIG - 1

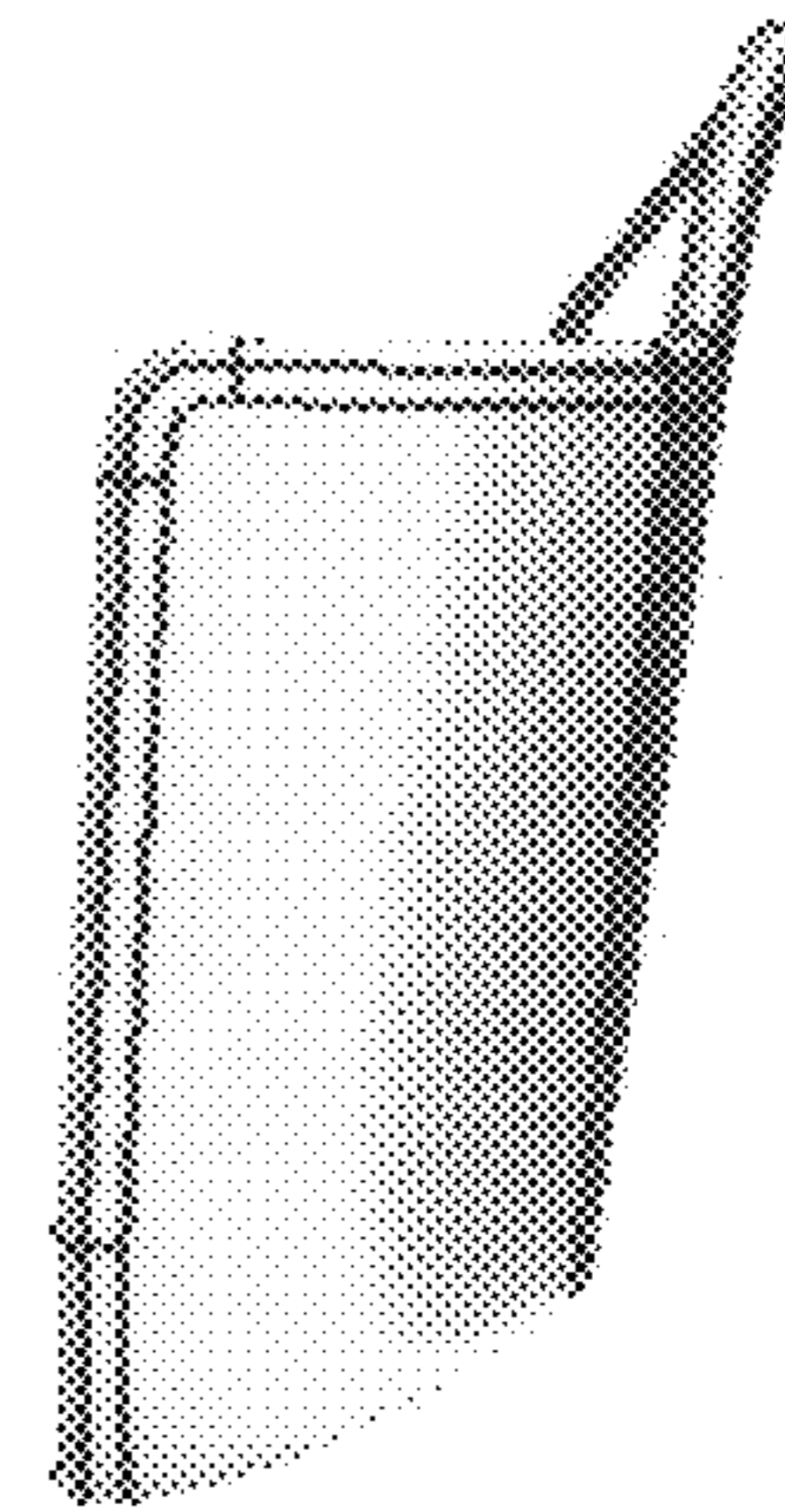


FIG - 3