

US00D663870S

(12) **United States Design Patent**
Kang

(10) **Patent No.:** **US D663,870 S**

(45) **Date of Patent:** **** Jul. 17, 2012**

(54) **LED LAMP**

(75) Inventor: **Ki Tae Kang**, Ansan-si (KR)

(73) Assignee: **Seoul Semiconductor Co., Ltd.**, Seoul (KR)

(**) Term: **14 Years**

(21) Appl. No.: **29/404,162**

(22) Filed: **Oct. 17, 2011**

(30) **Foreign Application Priority Data**

Apr. 18, 2011 (KR) 30-2011-0015712

(51) **LOC (9) Cl.** **26-04**

(52) **U.S. Cl.** **D26/2**

(58) **Field of Classification Search** D26/1-4;
313/313, 315, 316, 317, 318, 493; 315/52,
315/53, 56, 57, 58

See application file for complete search history.

(56) **References Cited**

U.S. PATENT DOCUMENTS

D553,267 S * 10/2007 Yuen D26/2
D590,523 S * 4/2009 Takahashi D26/2
D600,368 S * 9/2009 Bertram et al. D26/2

D605,786 S * 12/2009 Lim D26/2
D619,739 S * 7/2010 Hofmann et al. D26/2
D623,774 S * 9/2010 Tsai D26/2
D628,321 S * 11/2010 Yoshinobu et al. D26/2
D648,461 S * 11/2011 Kim et al. D26/2
D651,326 S * 12/2011 Lai et al. D26/2
D651,327 S * 12/2011 Hsiao et al. D26/2

* cited by examiner

Primary Examiner — Marcus Jackson

(74) *Attorney, Agent, or Firm* — H.C. Park & Associates, PLC

(57) **CLAIM**

The ornamental design for an LED lamp, as shown and described.

DESCRIPTION

FIG. 1 is a perspective view of the LED lamp.
FIG. 2 is a front view of the LED lamp.
FIG. 3 is a rear side view of the LED lamp.
FIG. 4 is a left side view of the LED lamp.
FIG. 5 is a right side view of the LED lamp.
FIG. 6 is a top plan view of the LED lamp; and,
FIG. 7 is a bottom plan view of the LED lamp.

1 Claim, 7 Drawing Sheets

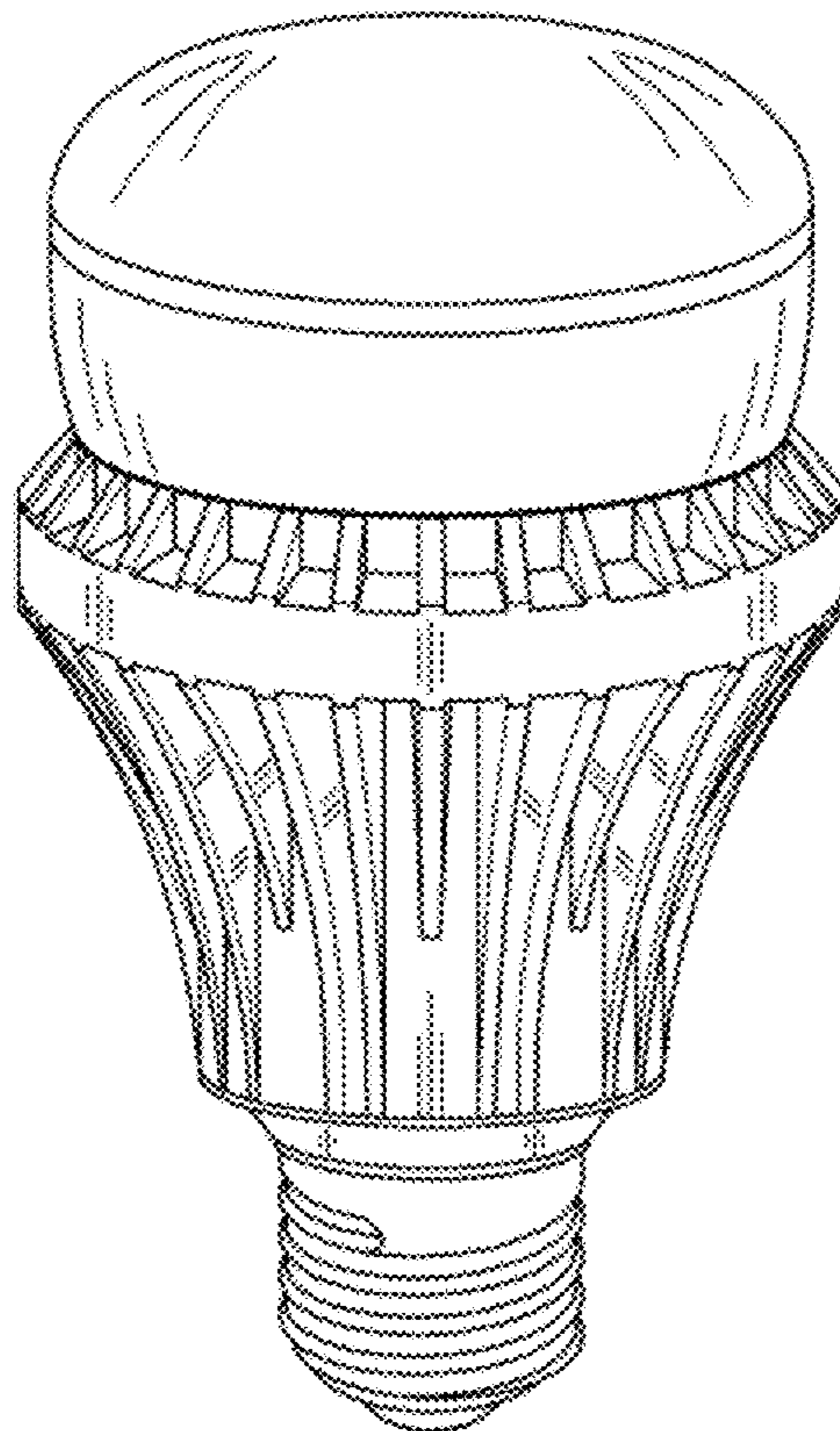


FIG. 1

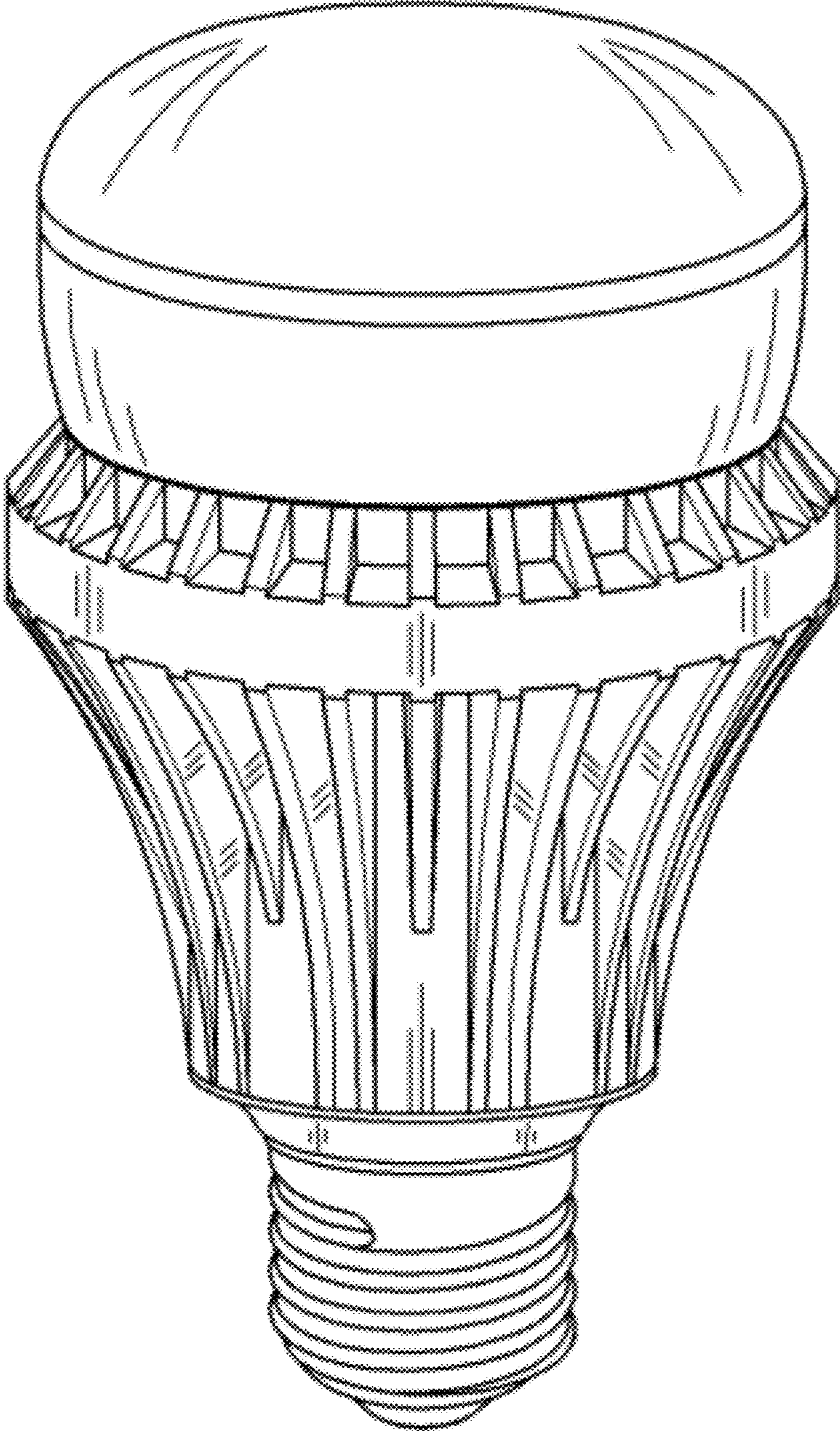


FIG. 2

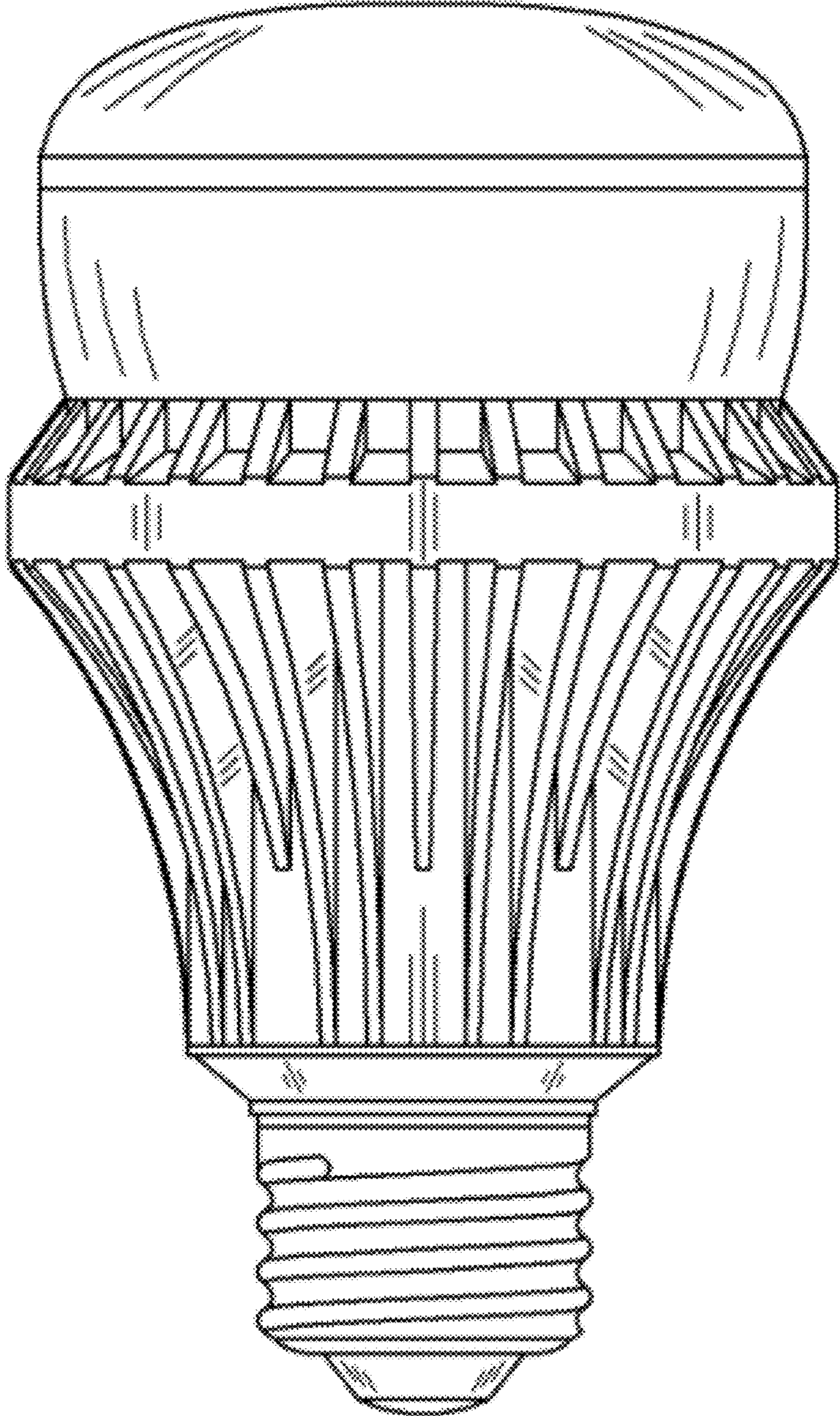


FIG. 3

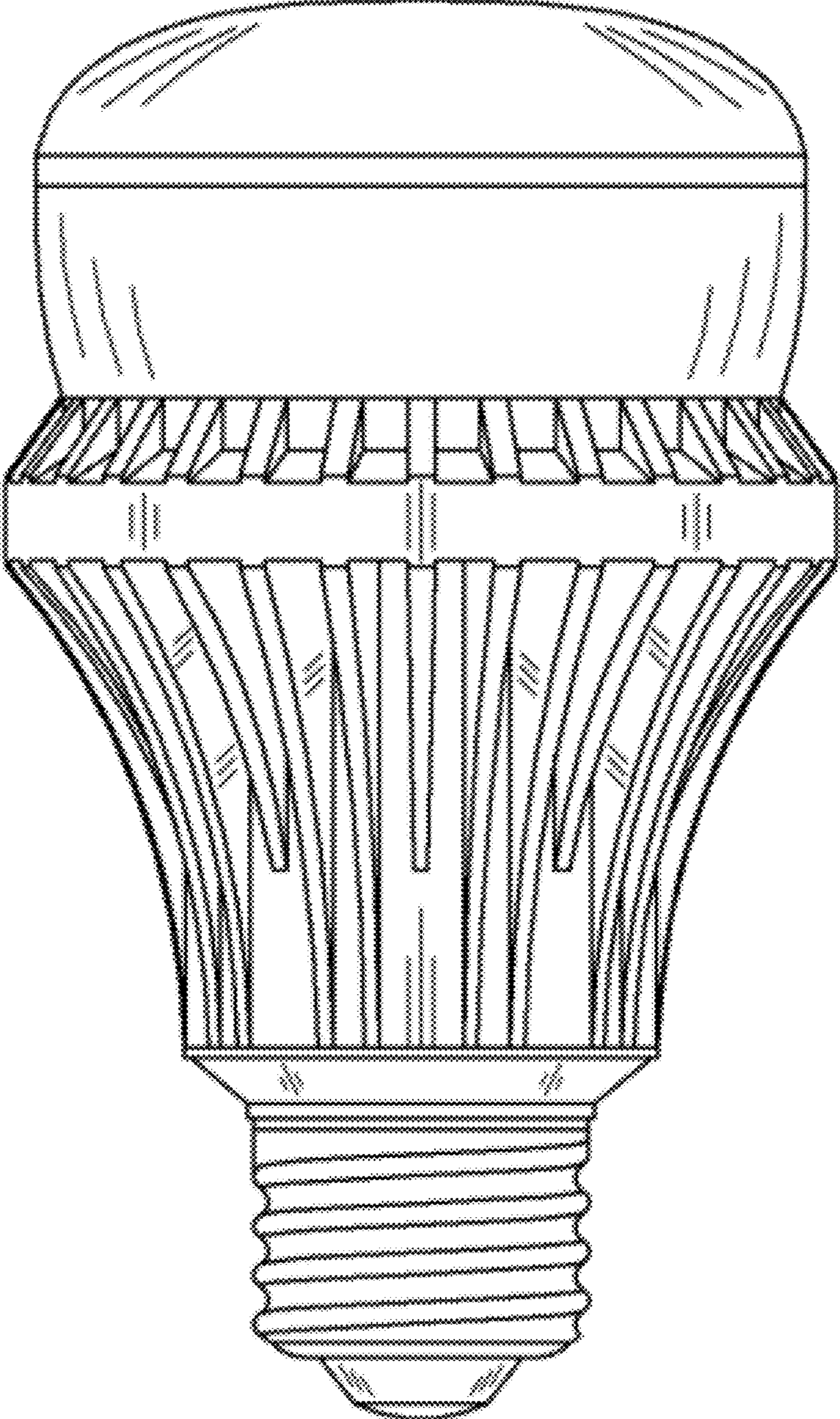


FIG. 4

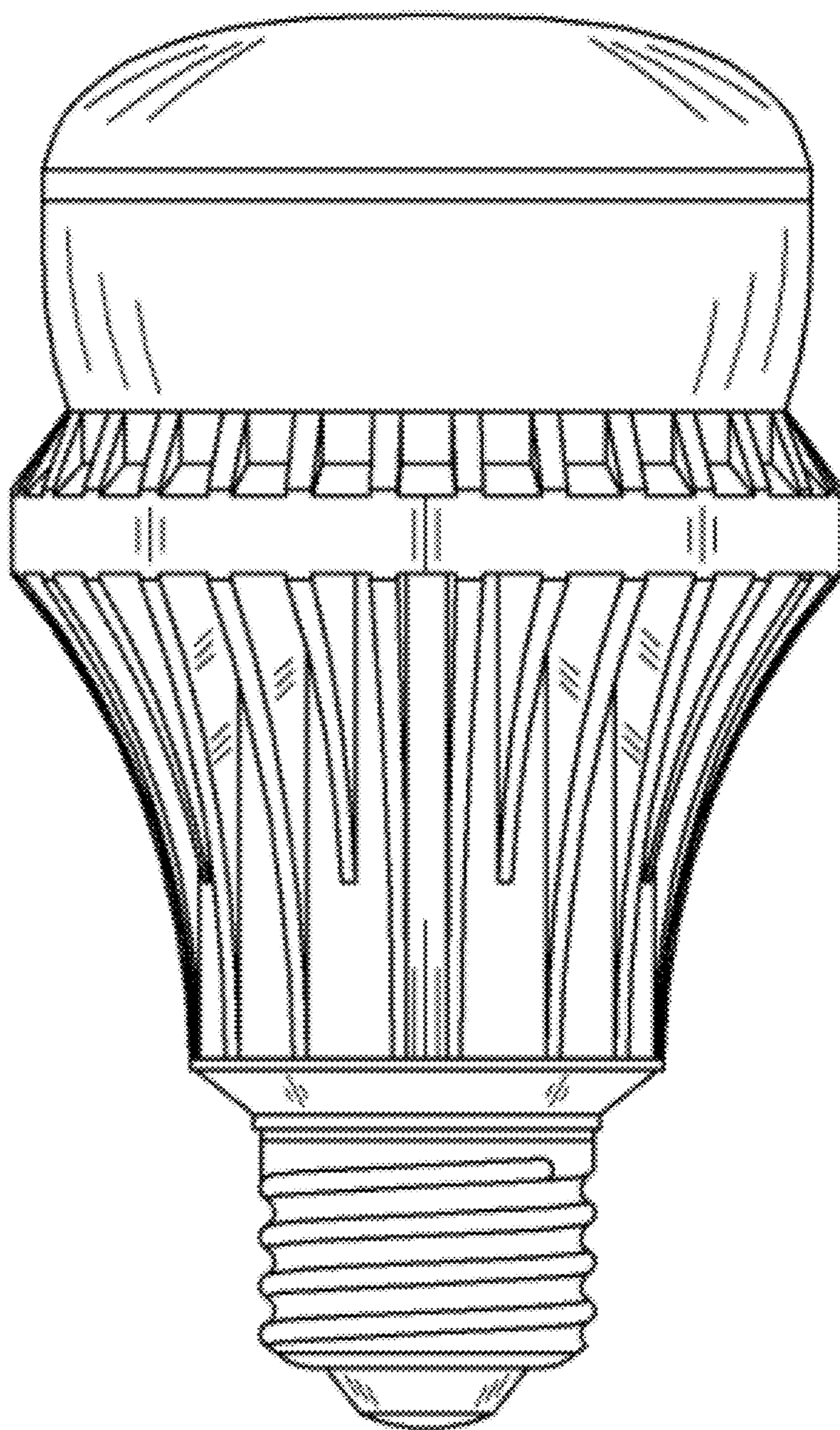


FIG. 5

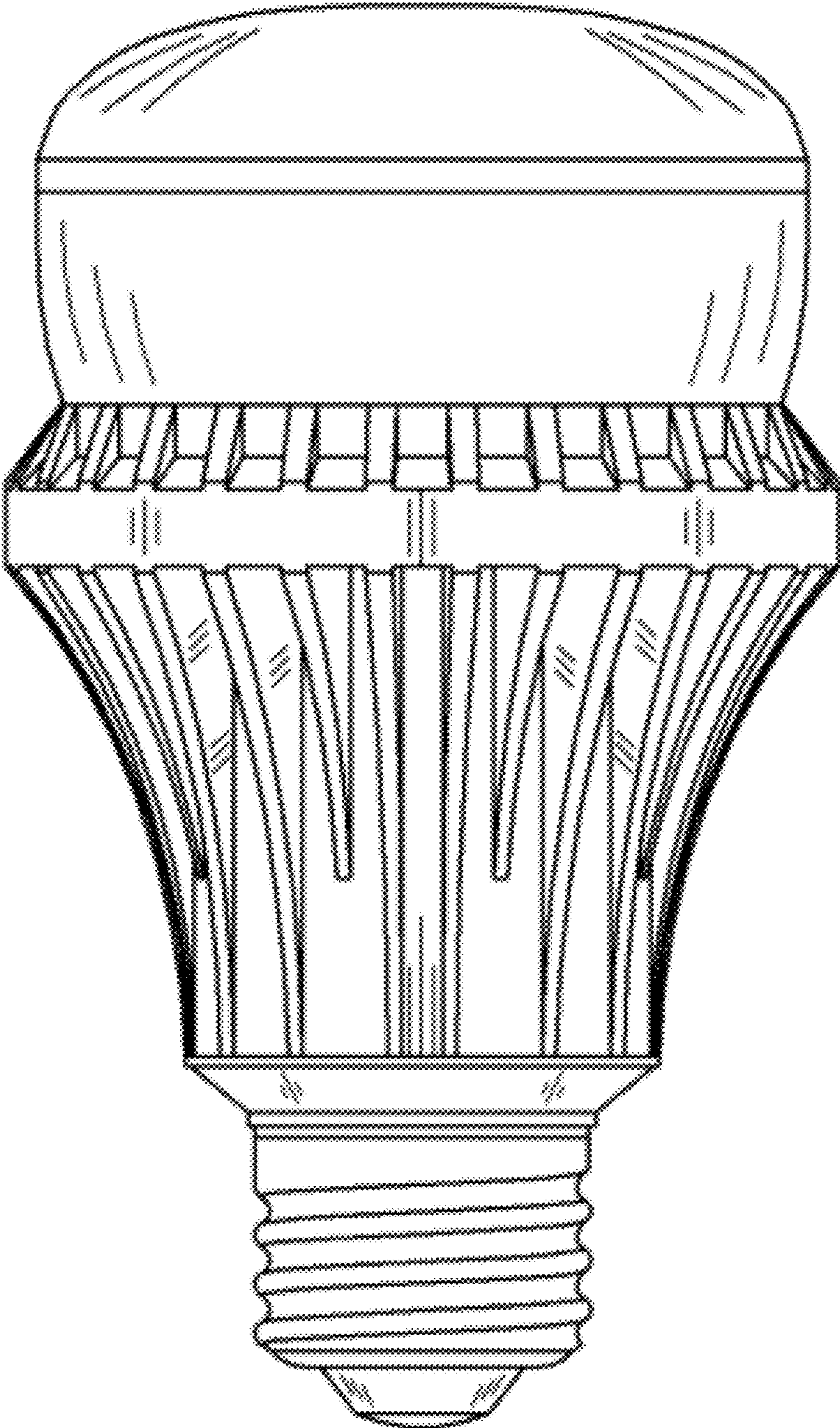


FIG. 6

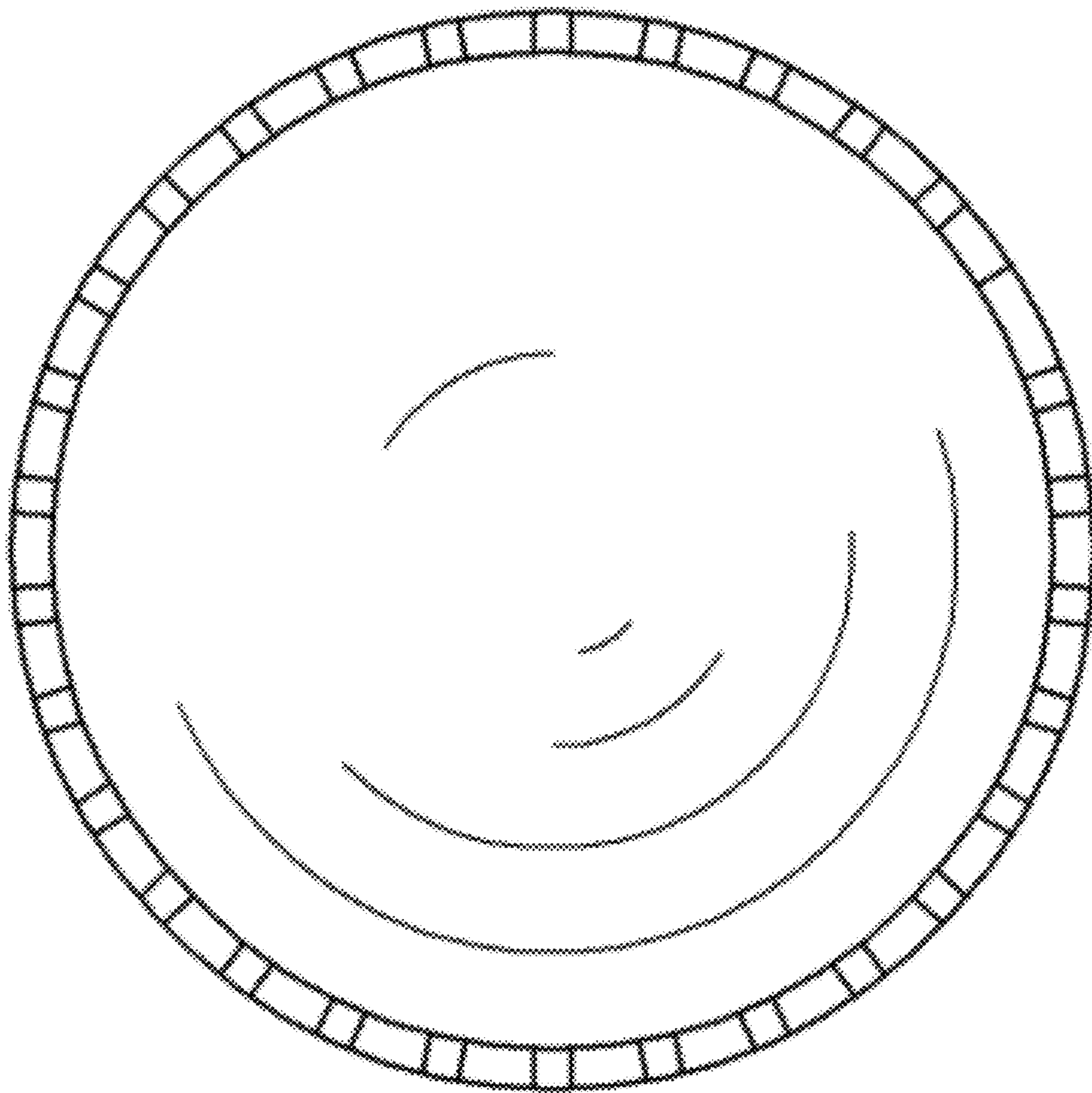


FIG. 7

