



US00D663868S

(12) **United States Design Patent**
Kim et al.

(10) **Patent No.:** **US D663,868 S**

(45) **Date of Patent:** **** Jul. 17, 2012**

(54) **LED LAMP**

(75) Inventors: **Jihoo Kim**, Seoul (KR); **Tae Young Choi**, Seoul (KR); **Dong Nyung Lim**, Seoul (KR); **Sung Ho Kim**, Seoul (KR); **Cheonjoo Kim**, Seoul (KR)

(73) Assignee: **LG Innotek Co., Ltd.**, Seoul (KR)

(**) Term: **14 Years**

(21) Appl. No.: **29/390,044**

(22) Filed: **Apr. 19, 2011**

(30) **Foreign Application Priority Data**

Oct. 22, 2010 (KR) 30-2010-0045766

(51) **LOC (9) Cl.** **26-04**

(52) **U.S. Cl.** **D26/2**

(58) **Field of Classification Search** D26/1-4;
313/313, 315, 316, 317, 318, 493; 315/52,
315/53, 56, 57, 58

See application file for complete search history.

(56) **References Cited**

U.S. PATENT DOCUMENTS

D471,294 S *	3/2003	Bobel	D26/2
D487,939 S *	3/2004	Smith	D26/2
D494,688 S *	8/2004	Van de Ven et al.	D26/2
D499,820 S *	12/2004	Foo	D26/2
D500,872 S *	1/2005	Foo	D26/2
D534,665 S *	1/2007	Egawa et al.	D26/2
D634,451 S *	3/2011	de Visser	D26/2

FOREIGN PATENT DOCUMENTS

JP 1390460-000 5/2010

OTHER PUBLICATIONS

Korean Office Action for 30-2010-0045766 dated Dec. 14, 2011, citing the above reference(s).

* cited by examiner

Primary Examiner — Marcus Jackson

(74) *Attorney, Agent, or Firm* — Lowe Hauptman Ham & Berner LLP

(57) **CLAIM**

The ornamental design for a LED lamp, as shown and described.

DESCRIPTION

FIG. 1 is a perspective view of a LED lamp showing my/our new design;

FIG. 2 is a front elevational view thereof;

FIG. 3 is a rear elevational view thereof;

FIG. 4 is a left side elevational view thereof;

FIG. 5 is a right side elevational view thereof;

FIG. 6 is a top plan view thereof; and,

FIG. 7 is a bottom plan view thereof.

LED is installed in the light emitting part.

The broken line showing of the lamp portion is included for the purpose of illustrating only and forms no part of the claimed design.

1 Claim, 4 Drawing Sheets

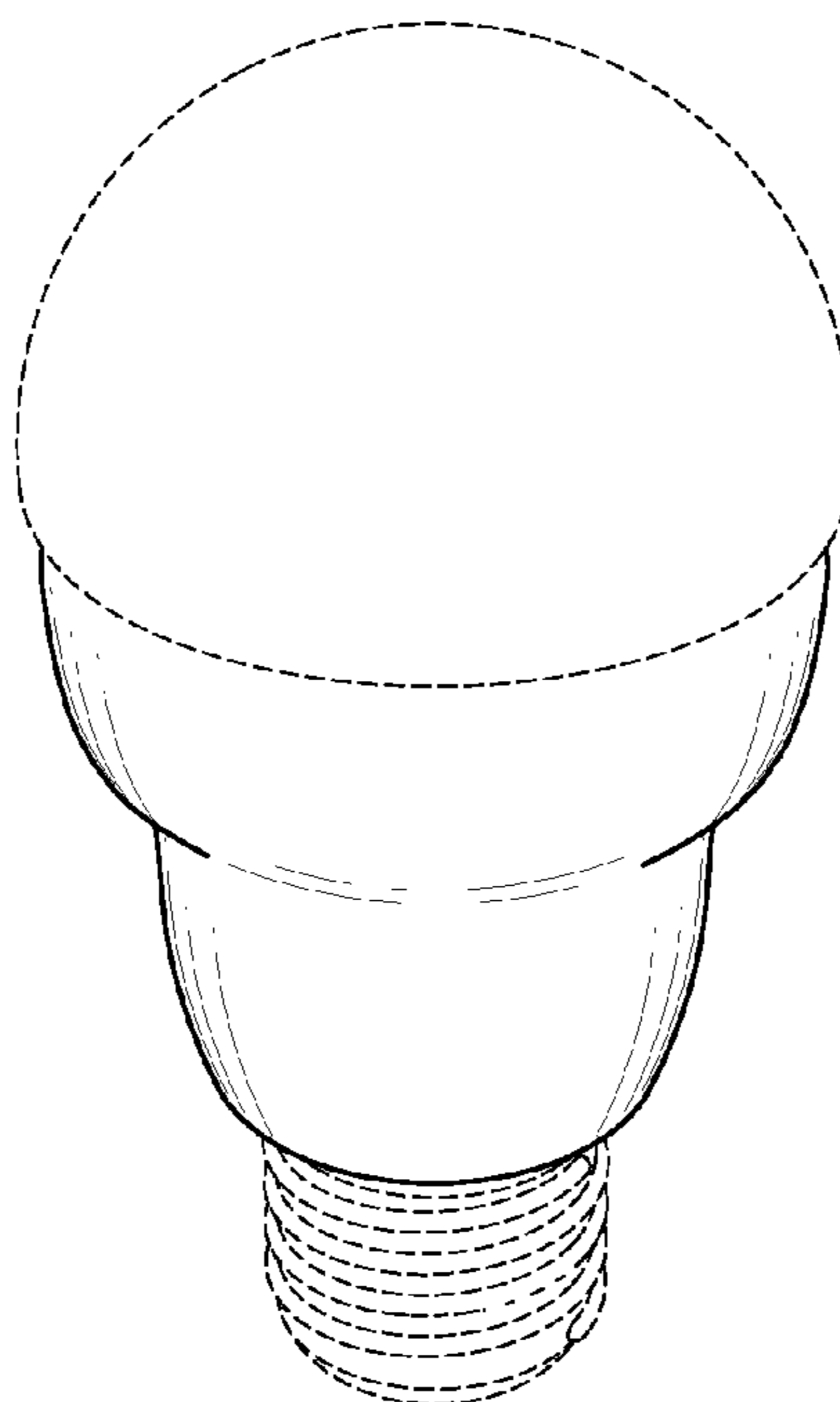


FIG. 1

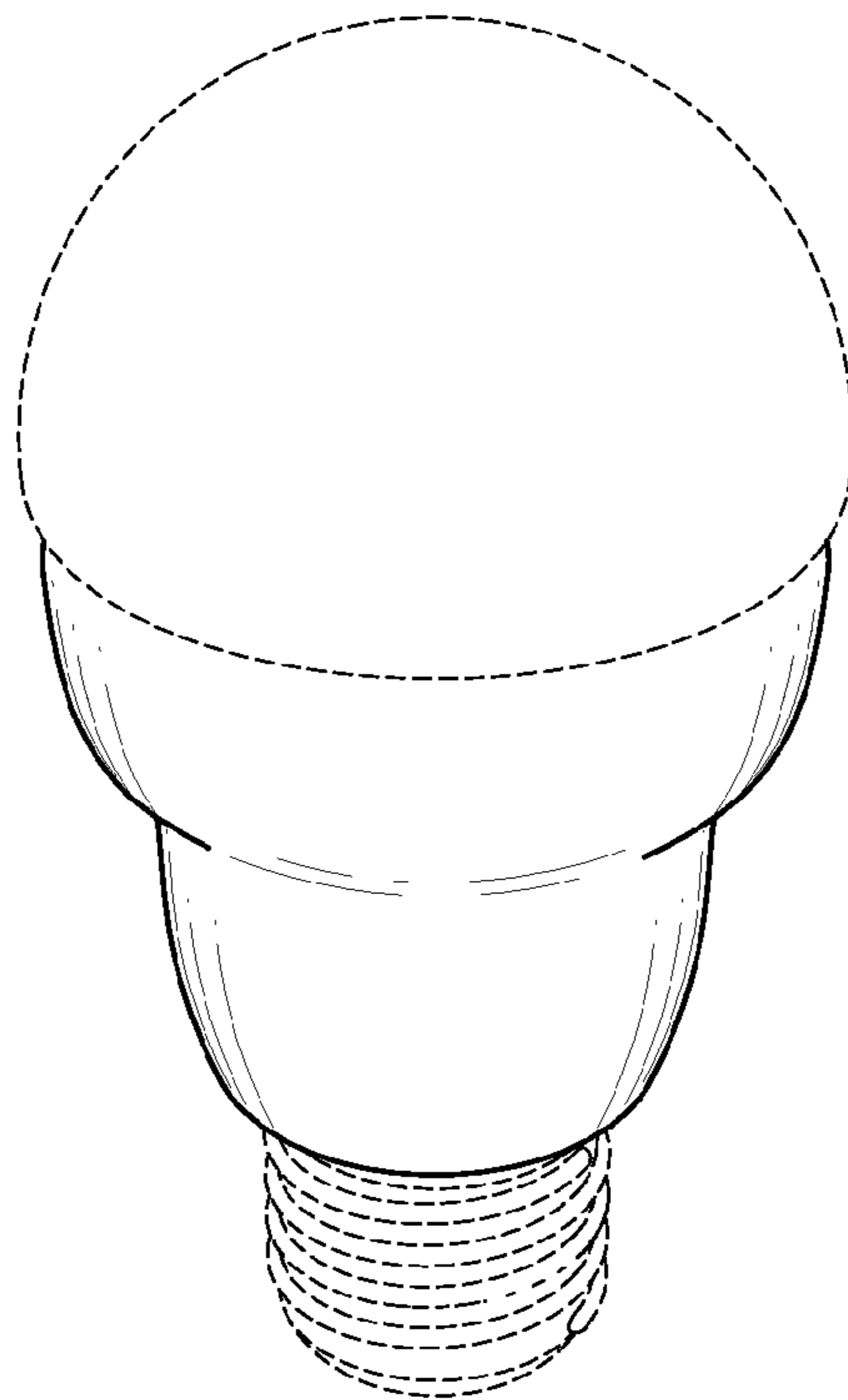


FIG. 2

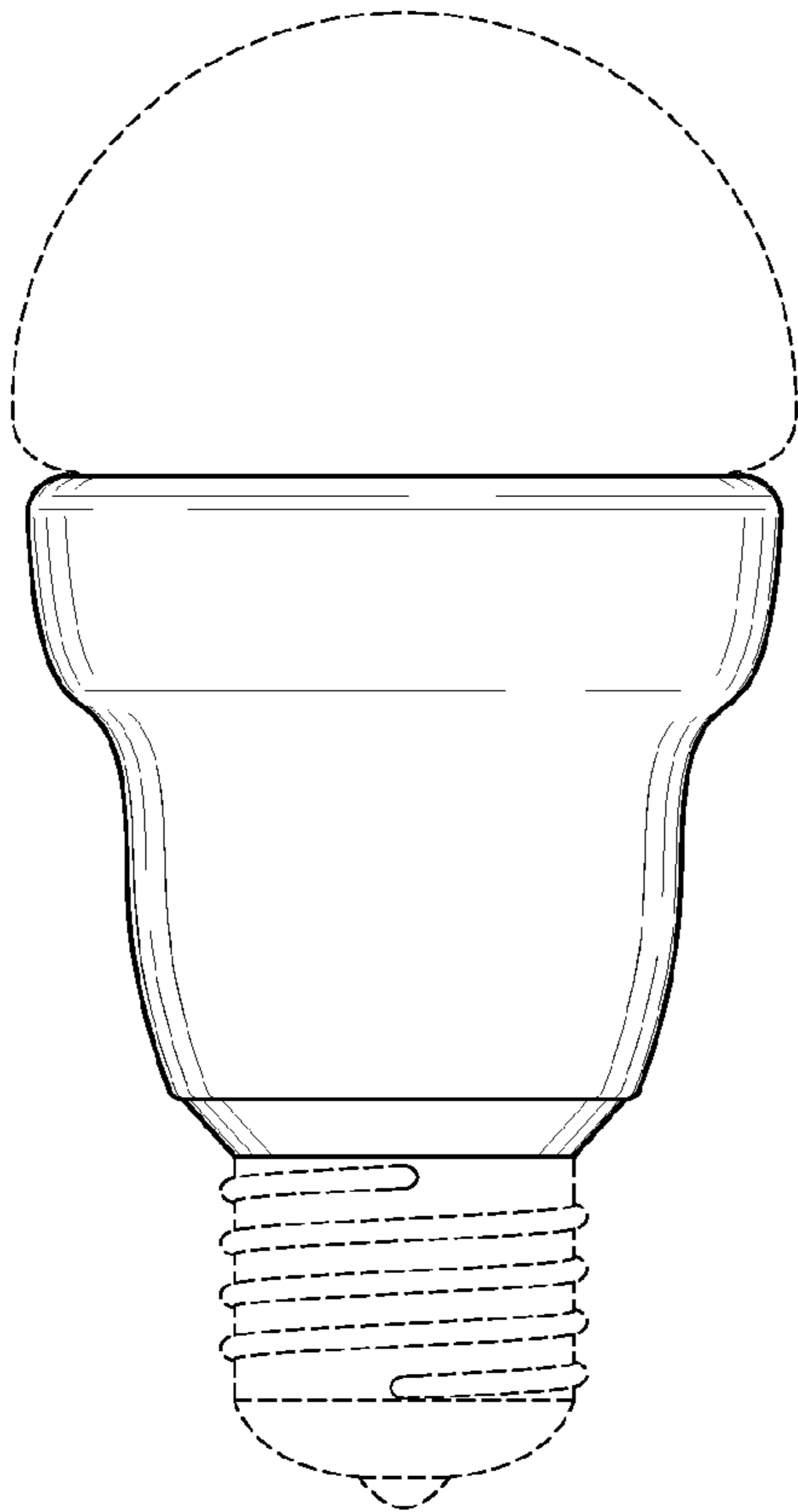


FIG. 3

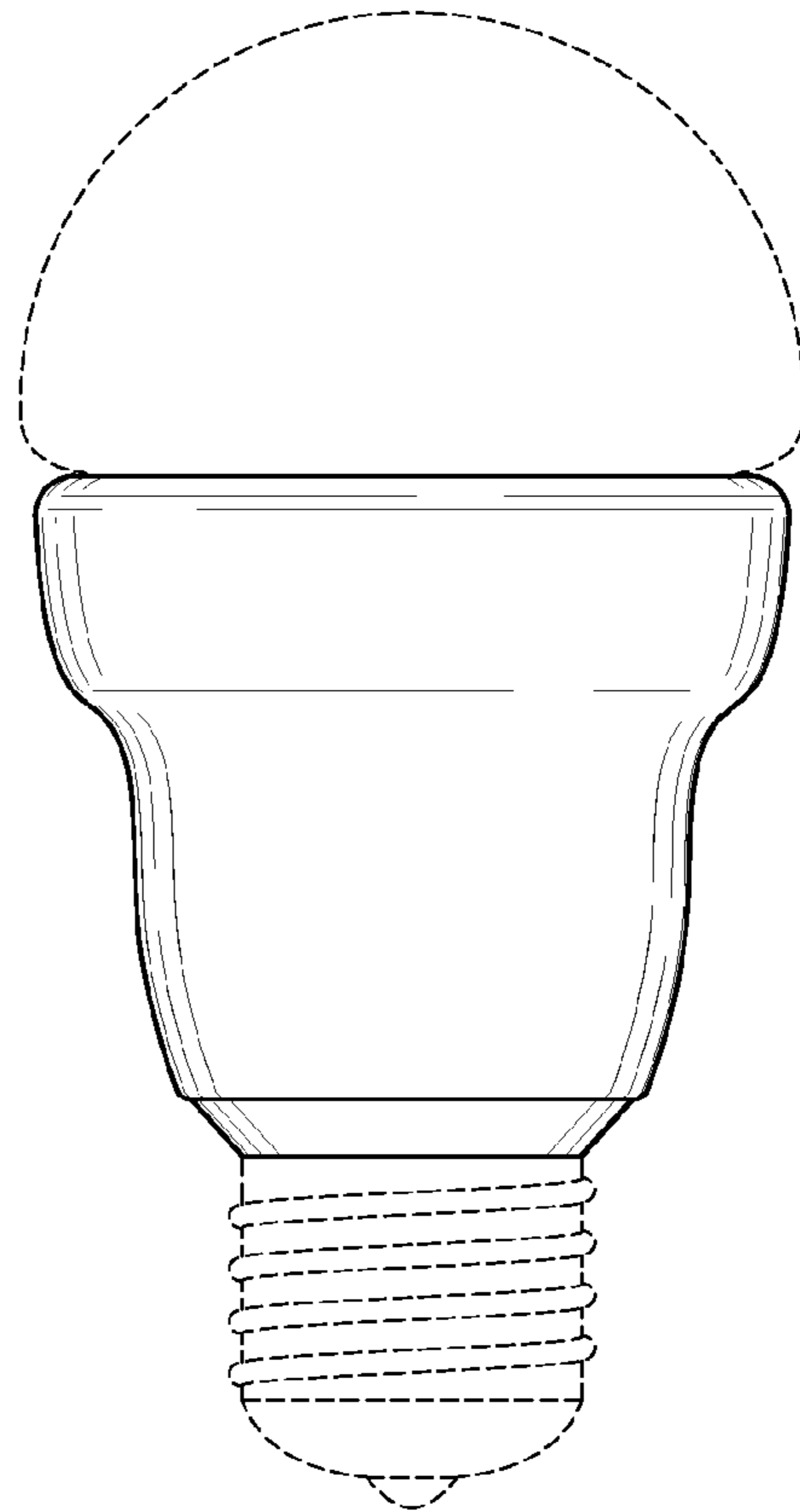


FIG. 4

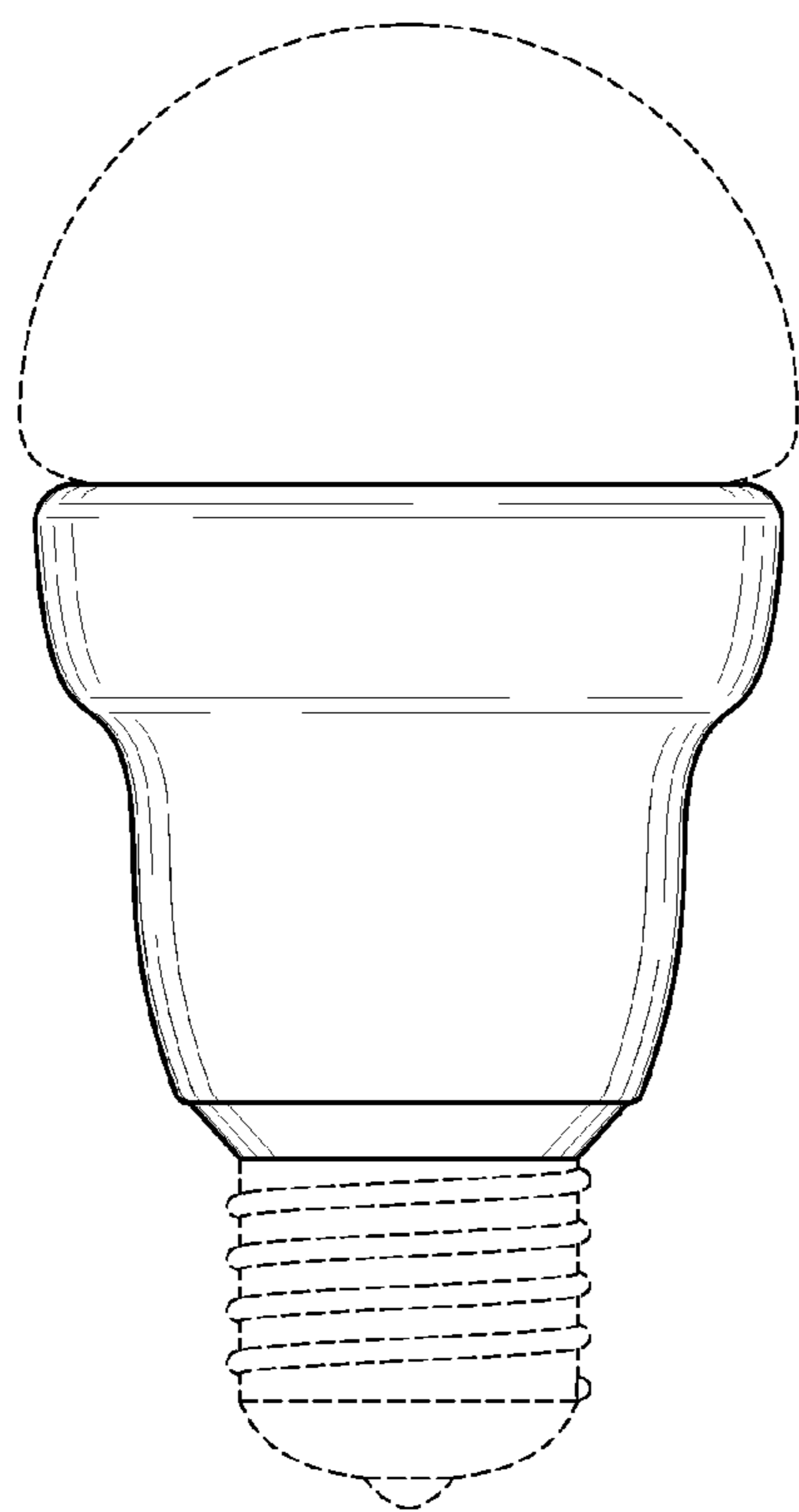


FIG. 5

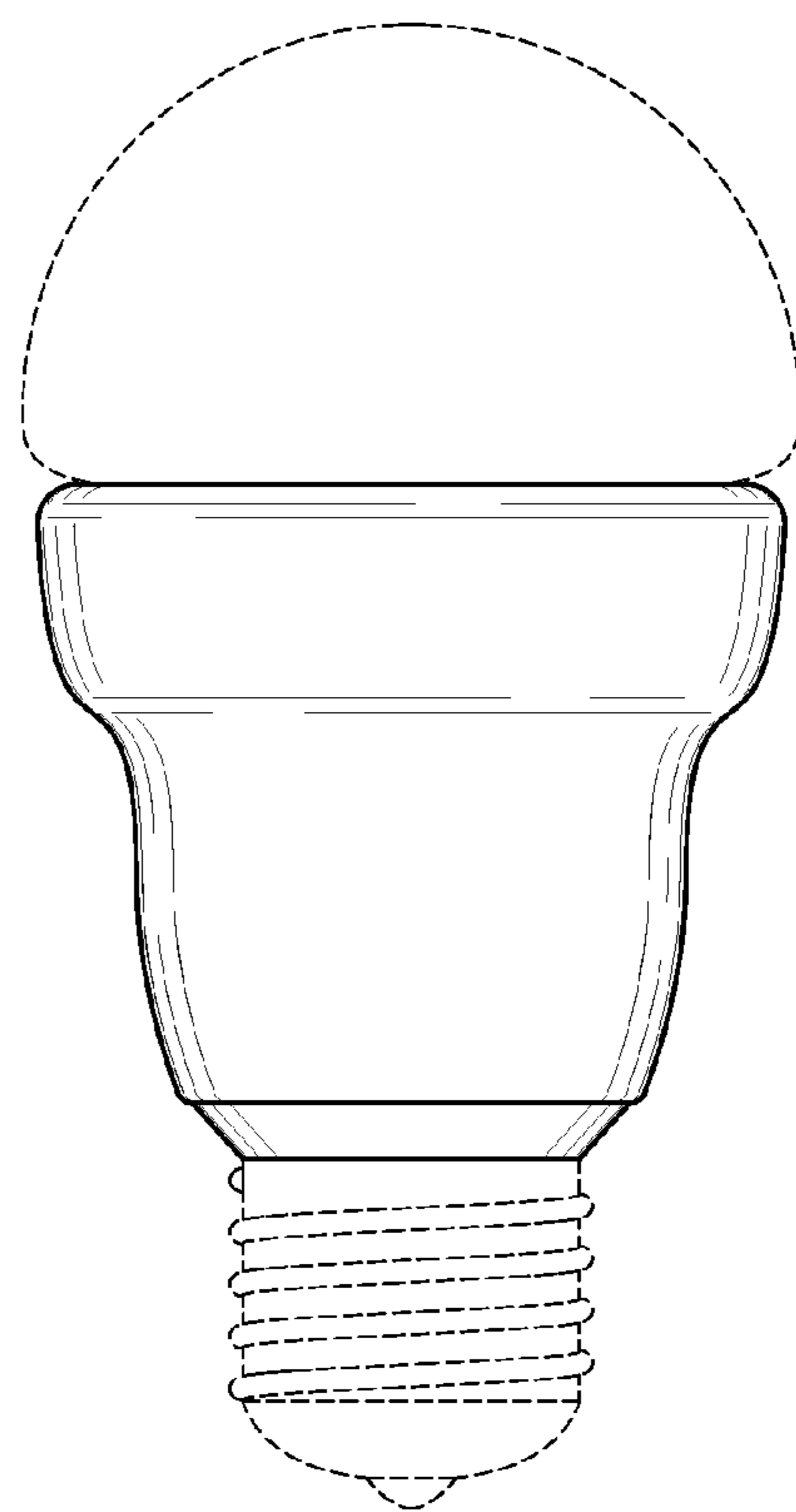


FIG. 6

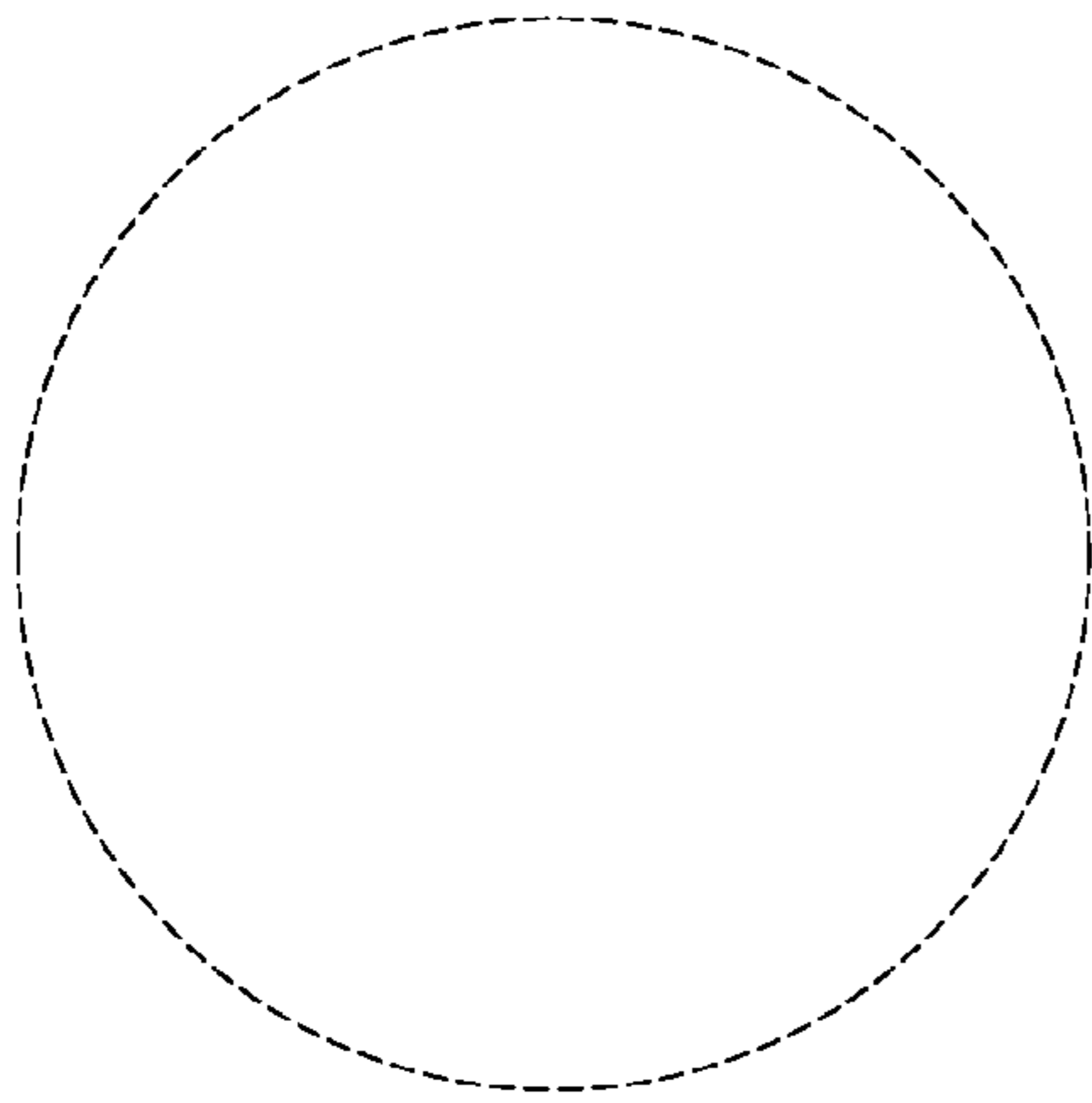


FIG. 7

