



US00D663861S

(12) **United States Design Patent**  
**Thomassen**

(10) **Patent No.:** **US D663,861 S**

(45) **Date of Patent:** **\*\* Jul. 17, 2012**

(54) **PAVER**

(76) Inventor: **Marcel Thomassen**, Charlemagne (CA)

(\*\*) Term: **14 Years**

(21) Appl. No.: **29/400,951**

(22) Filed: **Sep. 2, 2011**

(51) **LOC (9) Cl.** ..... **25-01**

(52) **U.S. Cl.** ..... **D25/113**

(58) **Field of Classification Search** ..... D25/102-118,  
D25/136, 138, 140, 151, 152, 153, 156-162,  
D25/164; D21/484-491, 499-504; 405/16,  
405/284, 286; 52/503-505, 574, 575, 596-612;  
404/27-42

See application file for complete search history.

(56) **References Cited**

**U.S. PATENT DOCUMENTS**

1,314,278	A	*	8/1919	McClain, Jr.	.....	404/38
D307,056	S	*	4/1990	Sakata	.....	D25/114
D415,846	S	*	10/1999	Abbrancati	.....	D25/113
D426,001	S	*	5/2000	Azar	.....	D25/113
D490,911	S	*	6/2004	Cox	.....	D25/112
D506,556	S	*	6/2005	Giusti	.....	D25/112

D509,596	S	*	9/2005	Cant	.....	D25/113
D511,011	S	*	10/2005	Crump	.....	D25/112
D546,478	S	*	7/2007	Adam	.....	D25/113

\* cited by examiner

*Primary Examiner* — Anhdao Doan

(57) **CLAIM**

I claim the ornamental design for a paver, as shown and described.

**DESCRIPTION**

FIG. 1 is a perspective view of a paver showing my new design;

FIG. 2 is a top view of the paver of FIG. 1;

FIG. 3 is a front view of the paver of FIG. 1;

FIG. 4 is a right side view of the paver of FIG. 1;

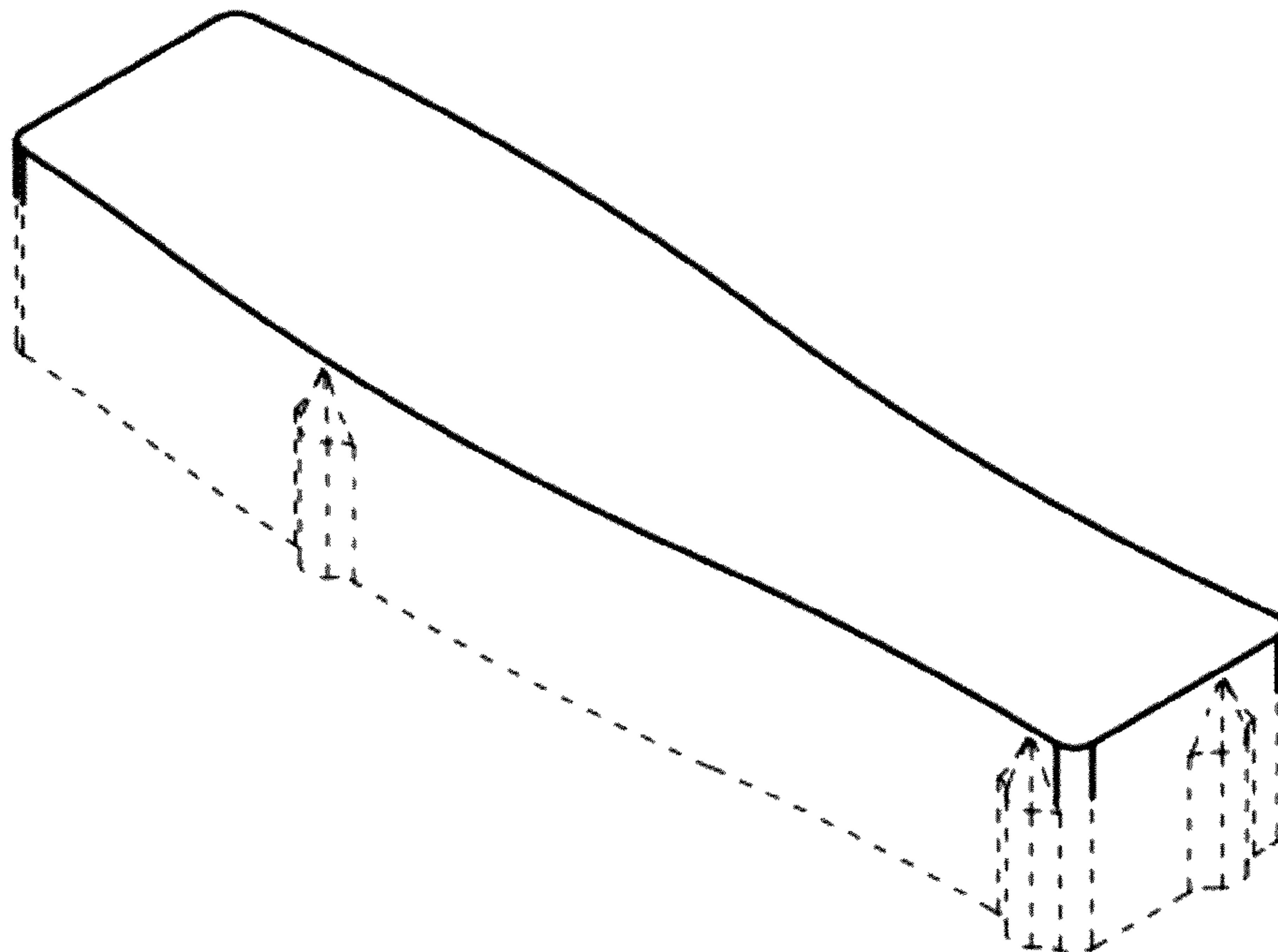
FIG. 5 is a rear view of the paver of FIG. 1;

FIG. 6 is a left side view of the paver of FIG. 1; and,

FIG. 7 is a top view of the paver of FIG. 1 with its environment shown in broken lines.

The broken lines in all drawing views are included for the purpose of illustrating portions of the paver that form no part of the claimed design. The broken line showing of the like pavers in FIG. 7 view represents environmental subject matter. None of the broken lines form a part of the claimed design.

**1 Claim, 4 Drawing Sheets**



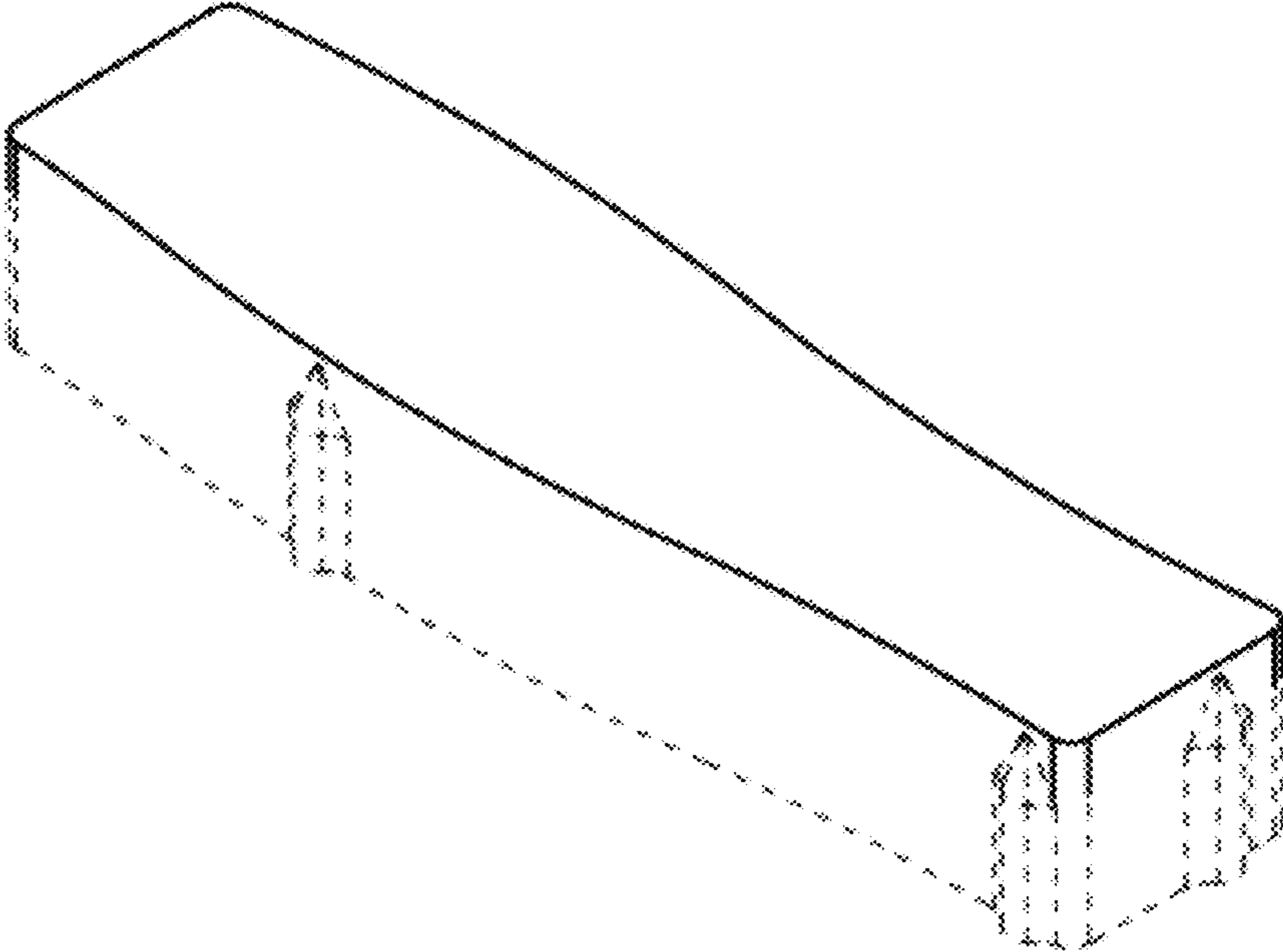


Fig. 1

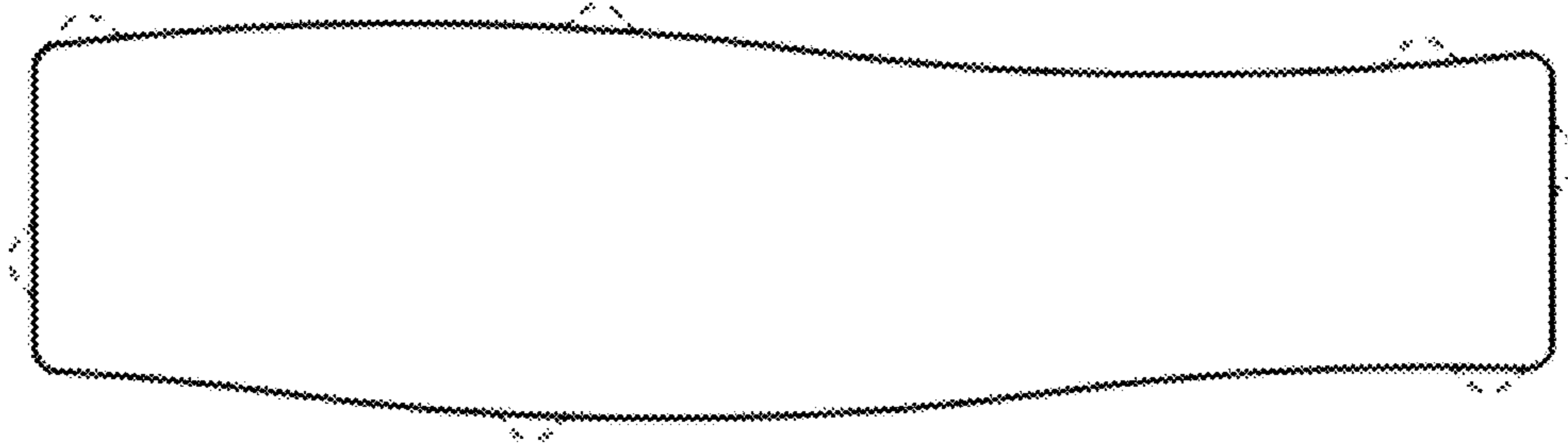


Fig. 2



Fig. 3

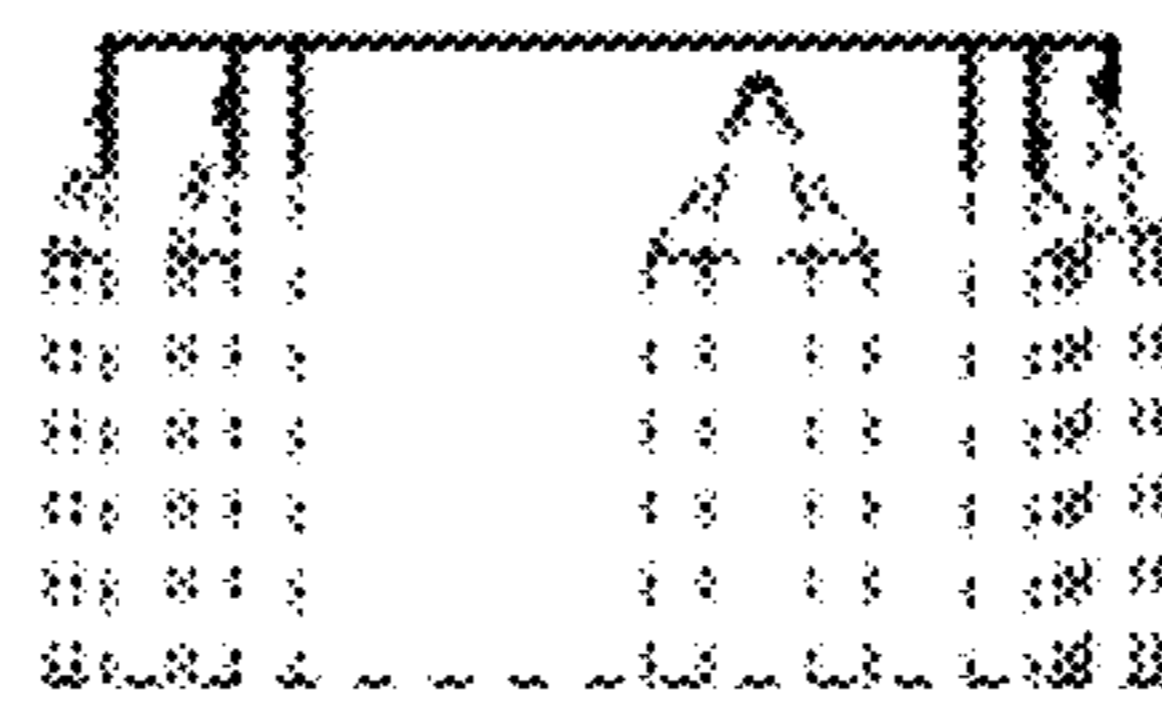


Fig. 4

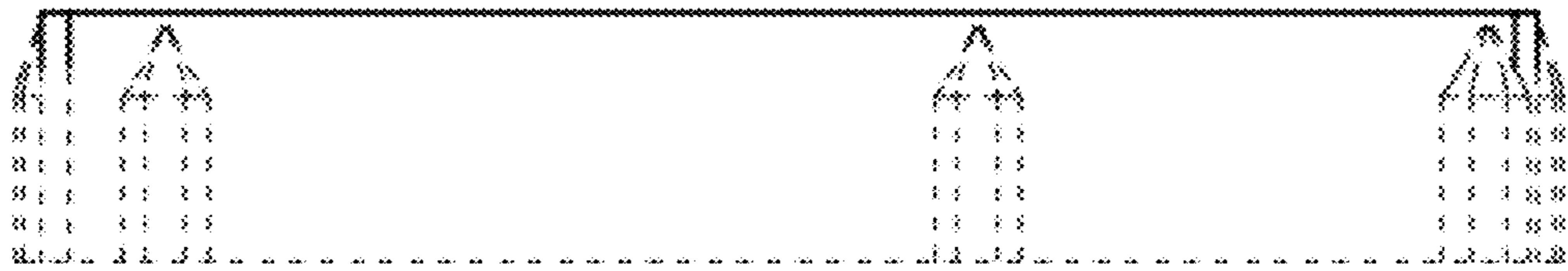


Fig. 5

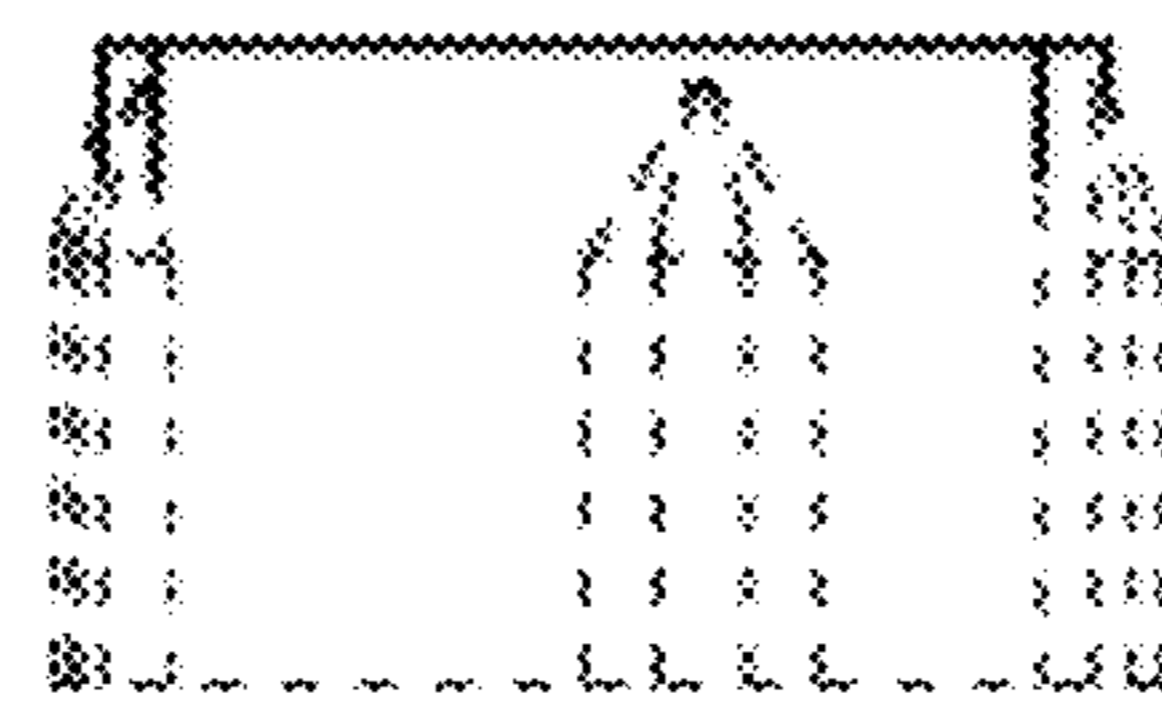


Fig. 6

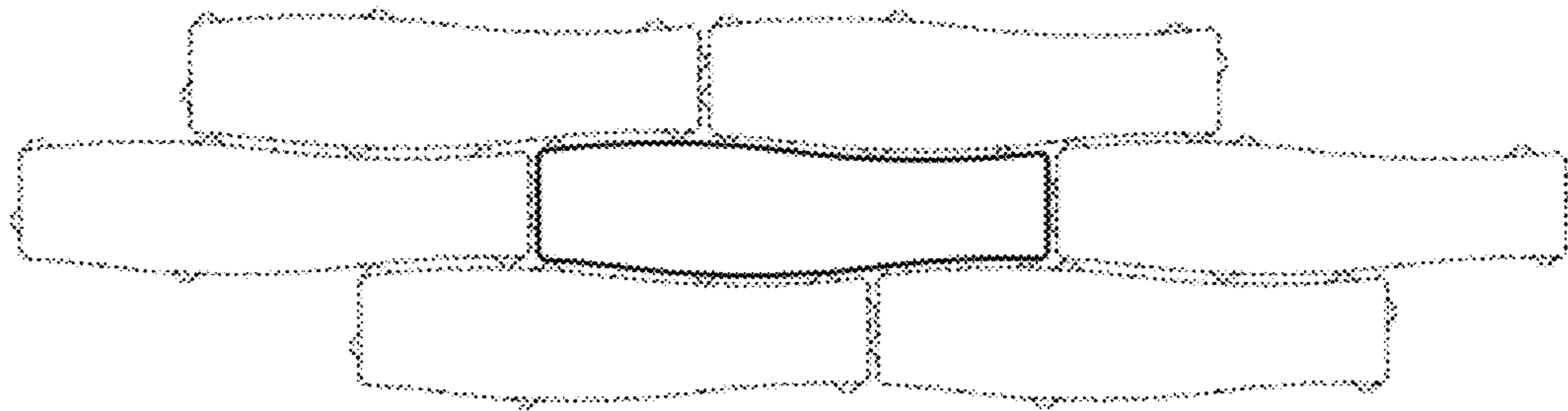


Fig. 7