



US00D663860S

(12) **United States Design Patent**
Thomassen

(10) **Patent No.:** **US D663,860 S**

(45) **Date of Patent:** **** Jul. 17, 2012**

(54) **SET OF PAVERS**

(76) Inventor: **Marcel Thomassen**, Charlemagne (CA)

(**) Term: **14 Years**

(21) Appl. No.: **29/398,983**

(22) Filed: **Aug. 8, 2011**

(51) **LOC (9) Cl.** **25-01**

(52) **U.S. Cl.** **D25/113**

(58) **Field of Classification Search** D25/102–118,
D25/136, 138, 140, 151, 152, 153, 156–162,
D25/164; D21/484–491, 499–504; 405/16,
405/284, 286; 52/503–505, 574, 575, 596–612;
404/27–42

See application file for complete search history.

(56) **References Cited**

U.S. PATENT DOCUMENTS

1,314,278	A *	8/1919	McClain, Jr.	404/38
D262,742	S *	1/1982	Vesterholt	D25/113
D315,026	S *	2/1991	Castonguay et al.	D25/113
5,251,997	A *	10/1993	Brock	404/29
6,055,784	A *	5/2000	Geiger	52/603
D442,703	S *	5/2001	Fifield	D25/113
D460,830	S *	7/2002	Unger	D25/113
D505,733	S *	5/2005	Castonguay et al.	D25/113
7,425,106	B2 *	9/2008	Altmann et al.	404/39
7,819,607	B2 *	10/2010	Carreras-Maldonado et al.	404/34

7,950,873 B2 * 5/2011 Geiger 404/39
2002/0104283 A1 * 8/2002 Geiger 52/603

* cited by examiner

Primary Examiner — Anhdao Doan

(74) *Attorney, Agent, or Firm* — Brouillette & Partners;
François Cartier; Robert Brouillette

(57) **CLAIM**

The ornamental design for a set of pavers, as shown and described.

DESCRIPTION

FIG. 1 is a perspective view of a first embodiment of the set of pavers;

FIG. 2 is another perspective view of the first embodiment of the set of pavers;

FIG. 3 is a top view of the first embodiment of the set of pavers;

FIG. 4 is a top view of the first embodiment of the set of pavers in its environment shown in dashed lines;

FIG. 5 is a perspective view of a second embodiment of the set of pavers;

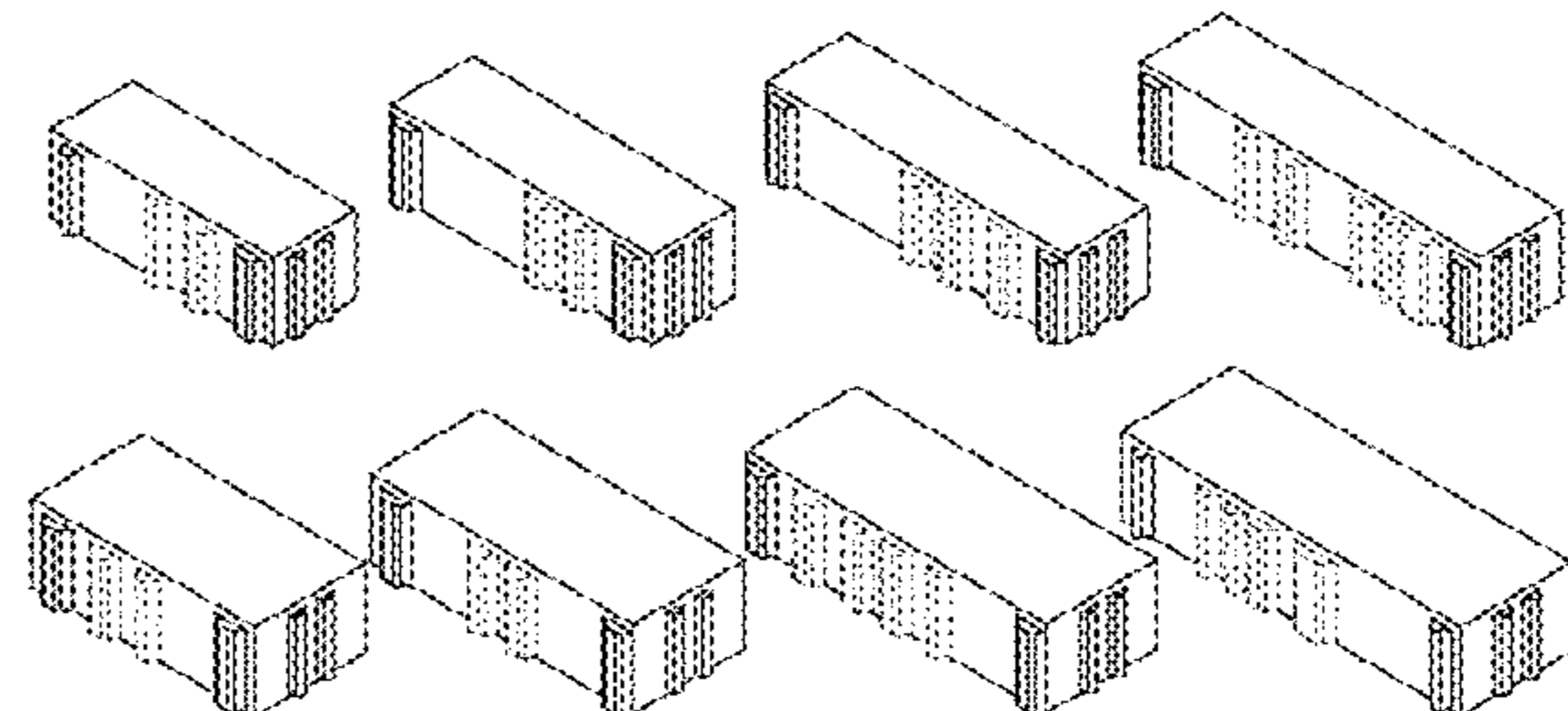
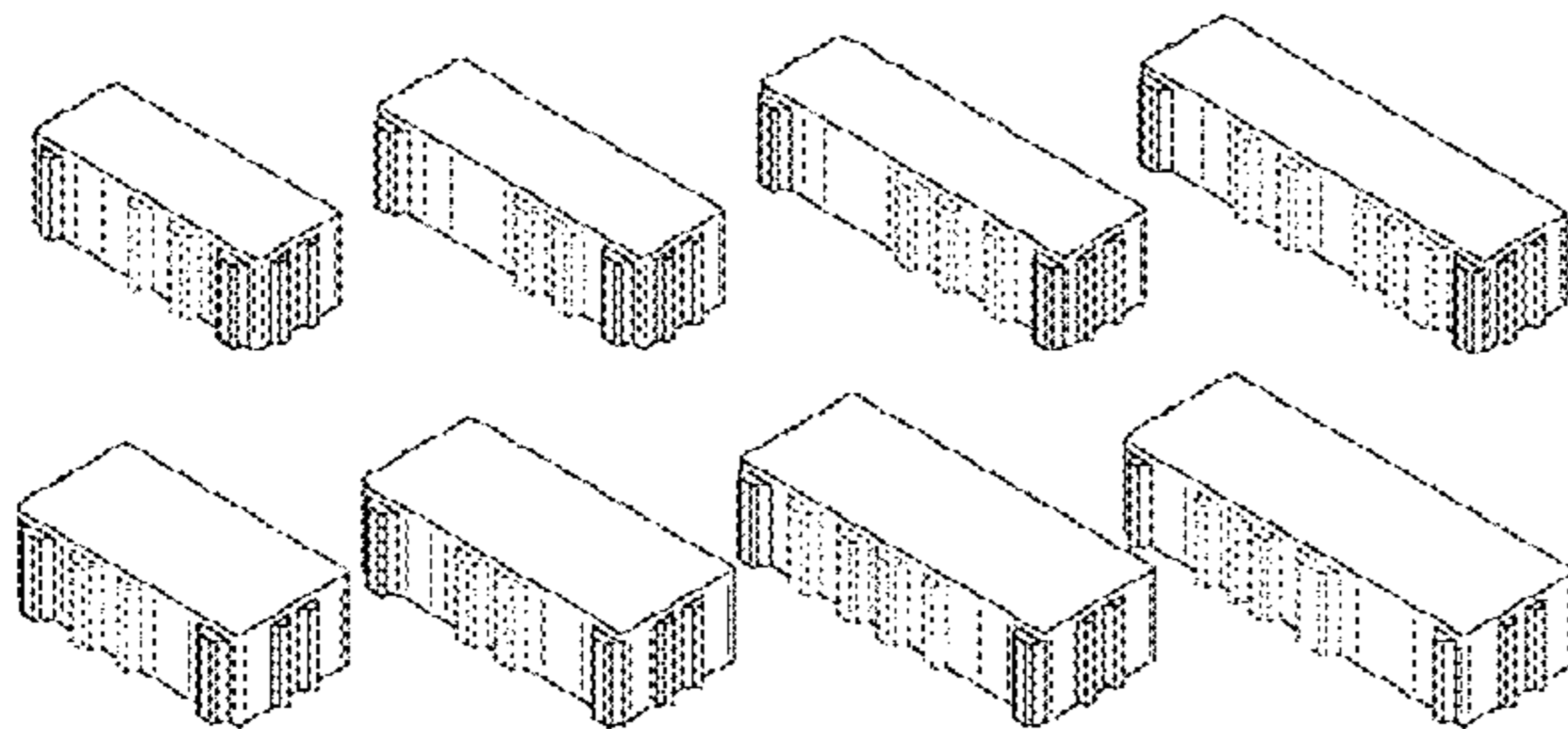
FIG. 6 is another perspective view of the second embodiment of the set of pavers;

FIG. 7 is a top view of the second embodiment of the set of pavers; and,

FIG. 8 is a top view of the second embodiment of the set of pavers in its environment shown in dashed lines.

The elements and/or structures shown in dashed lines are shown for illustration purposes only and do not form part of the design.

1 Claim, 8 Drawing Sheets



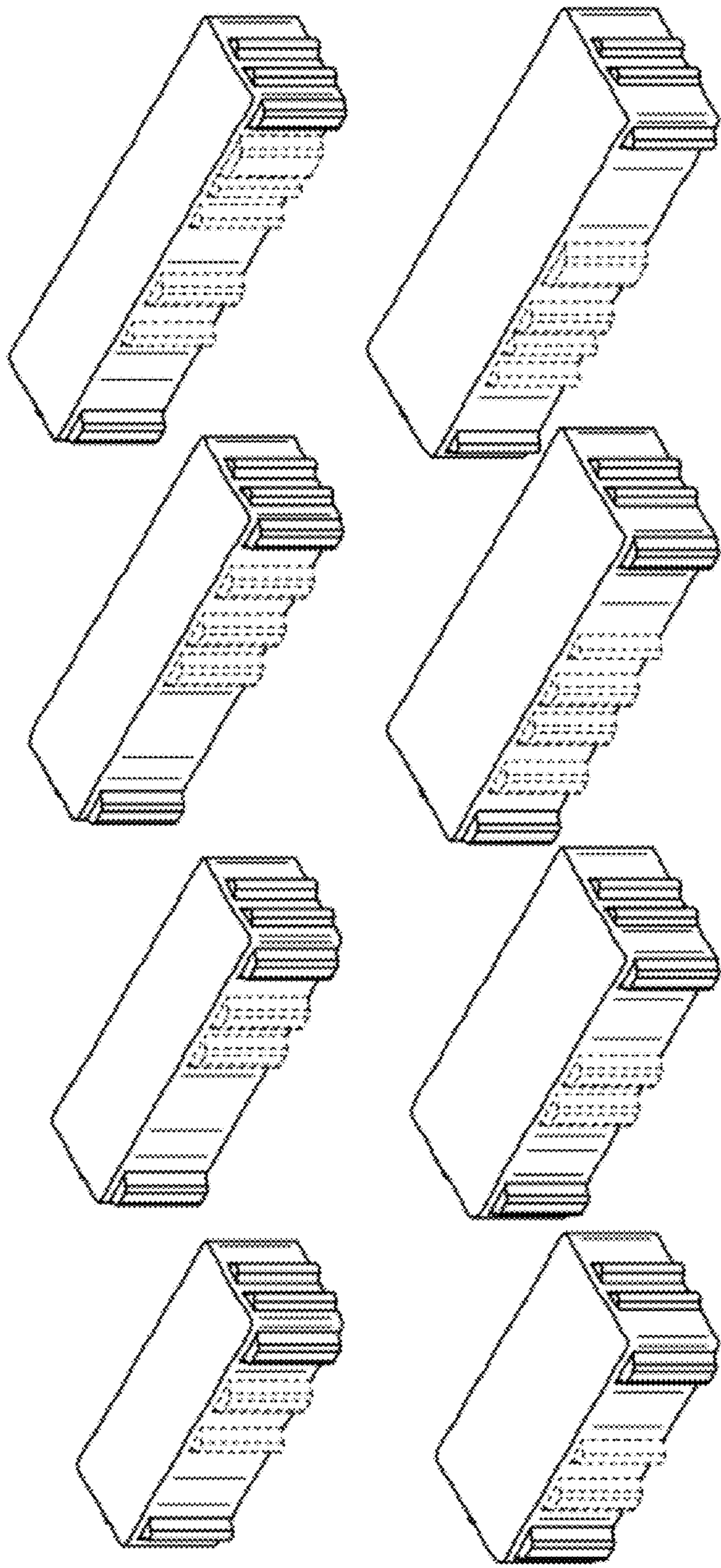


FIG. 1

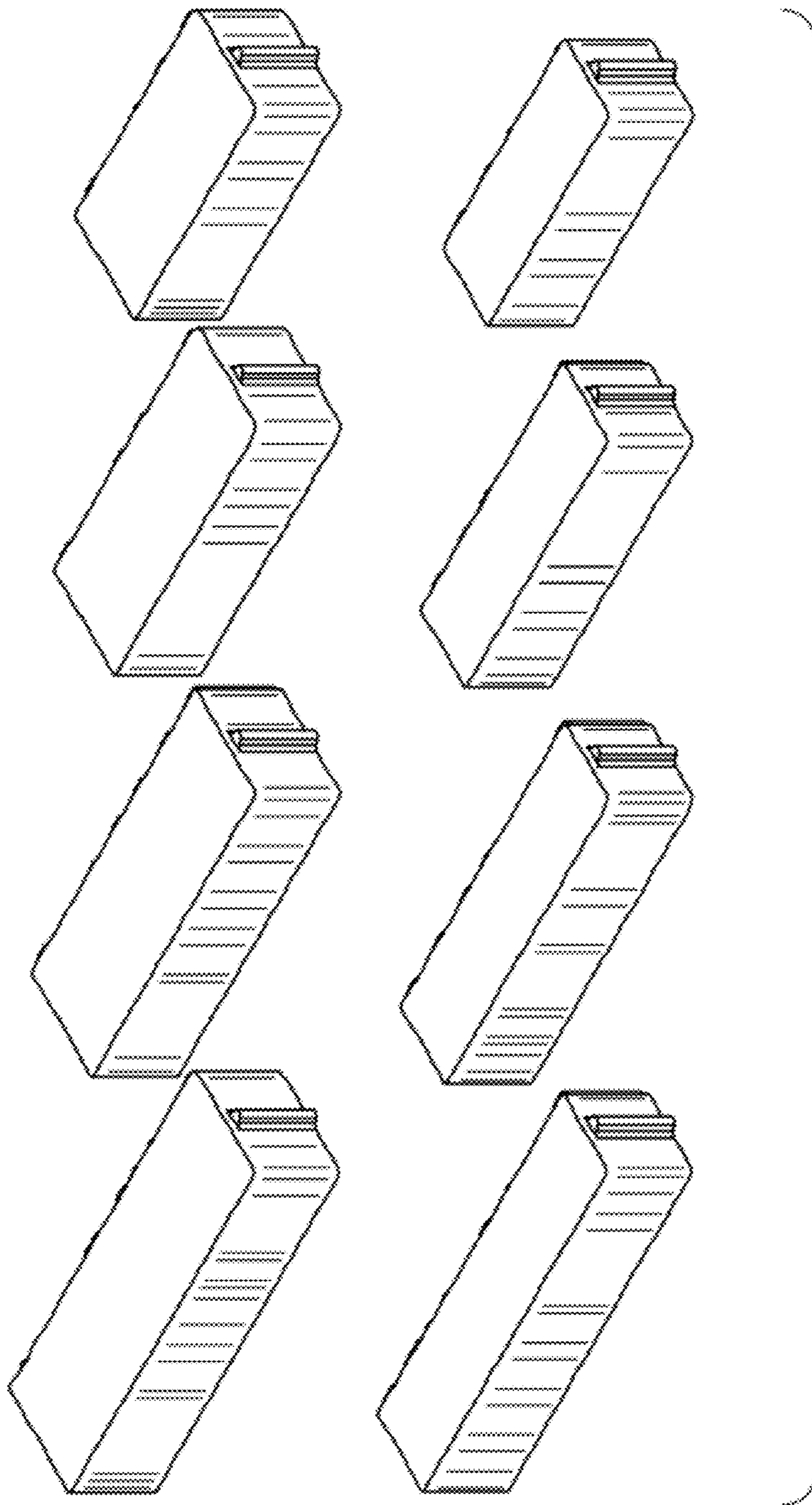


FIG. 2

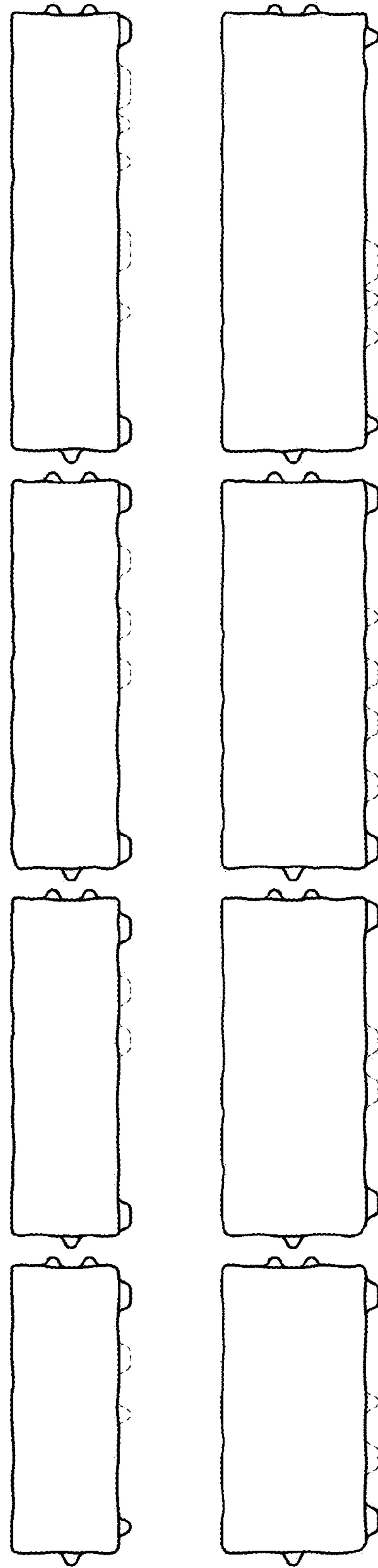


FIG. 3

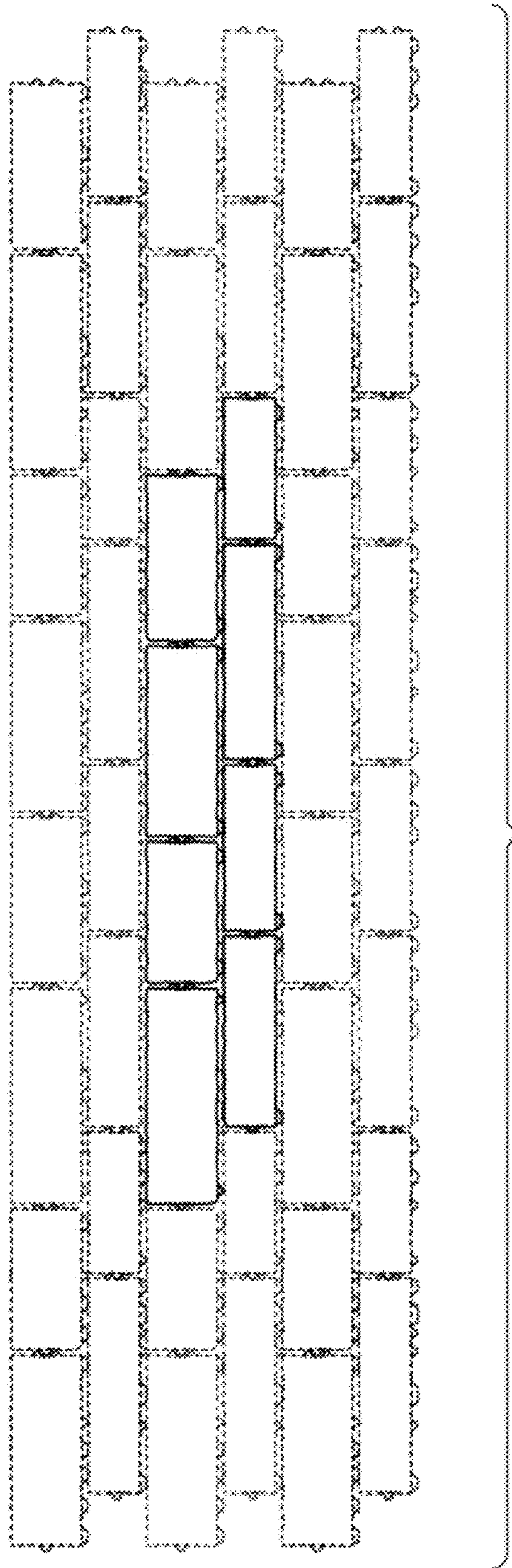


FIG. 4

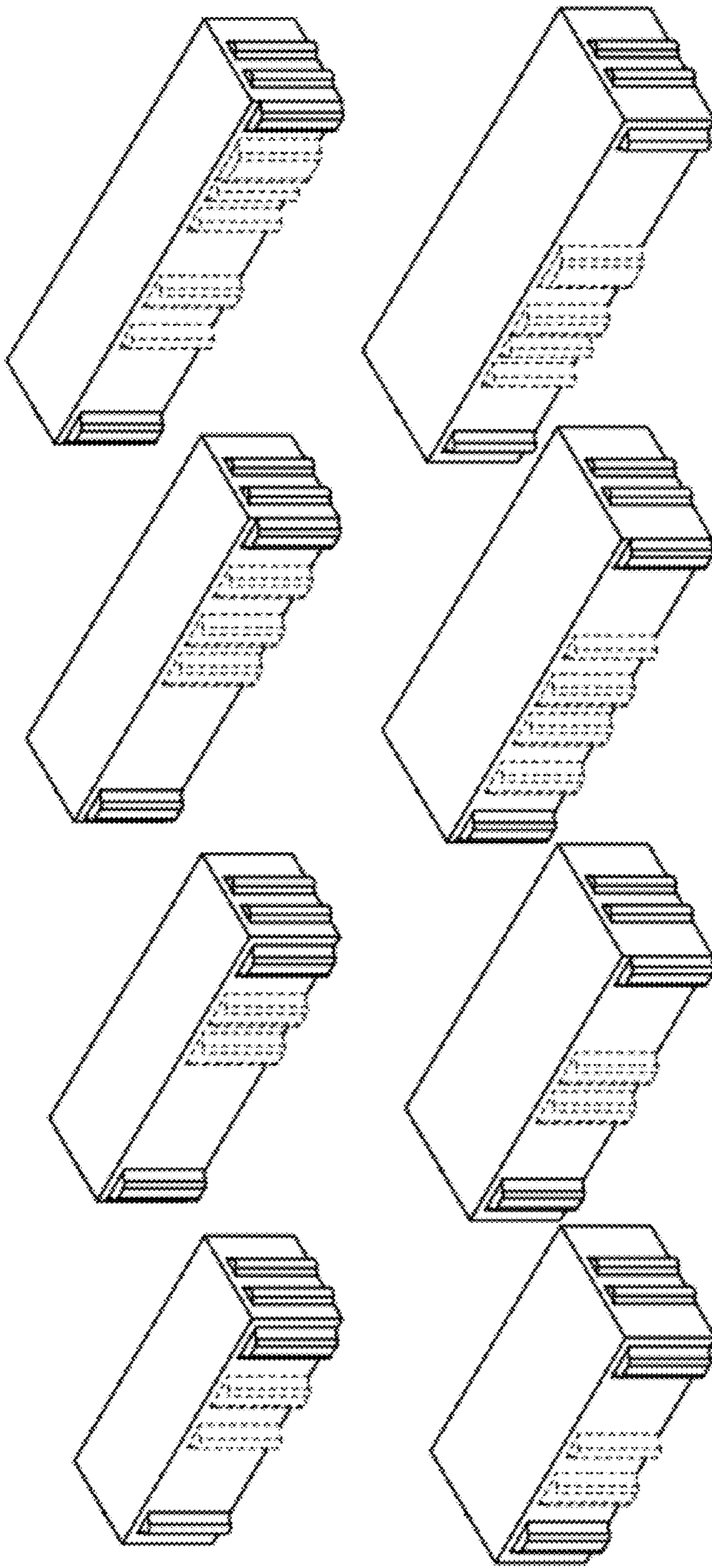


FIG. 5

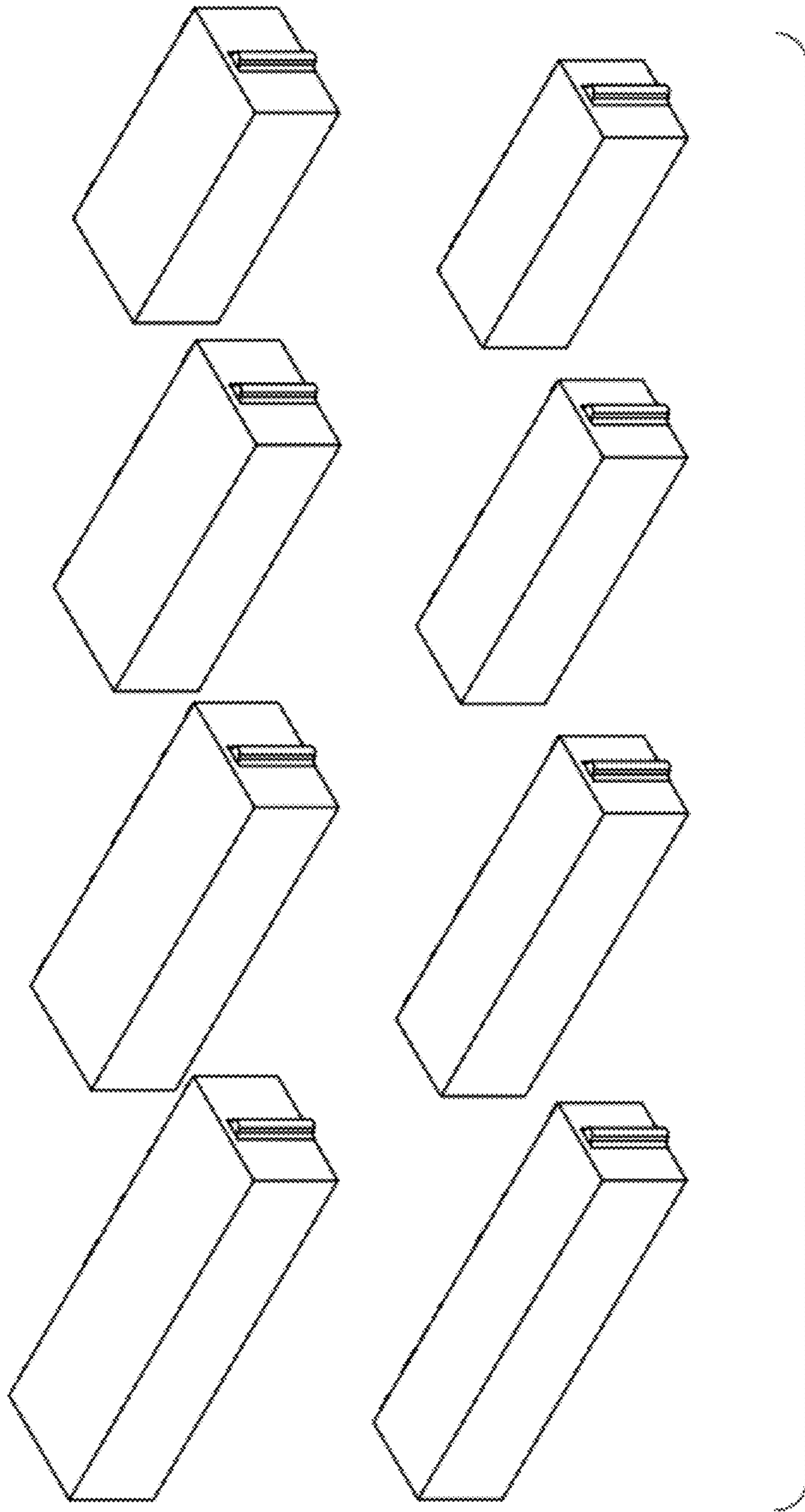


FIG. 6

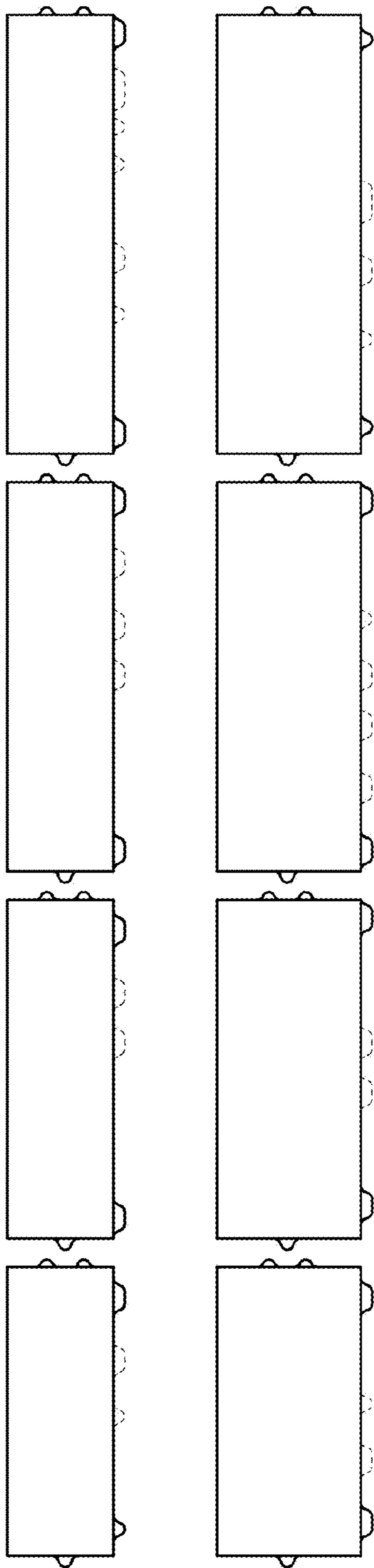


FIG. 7

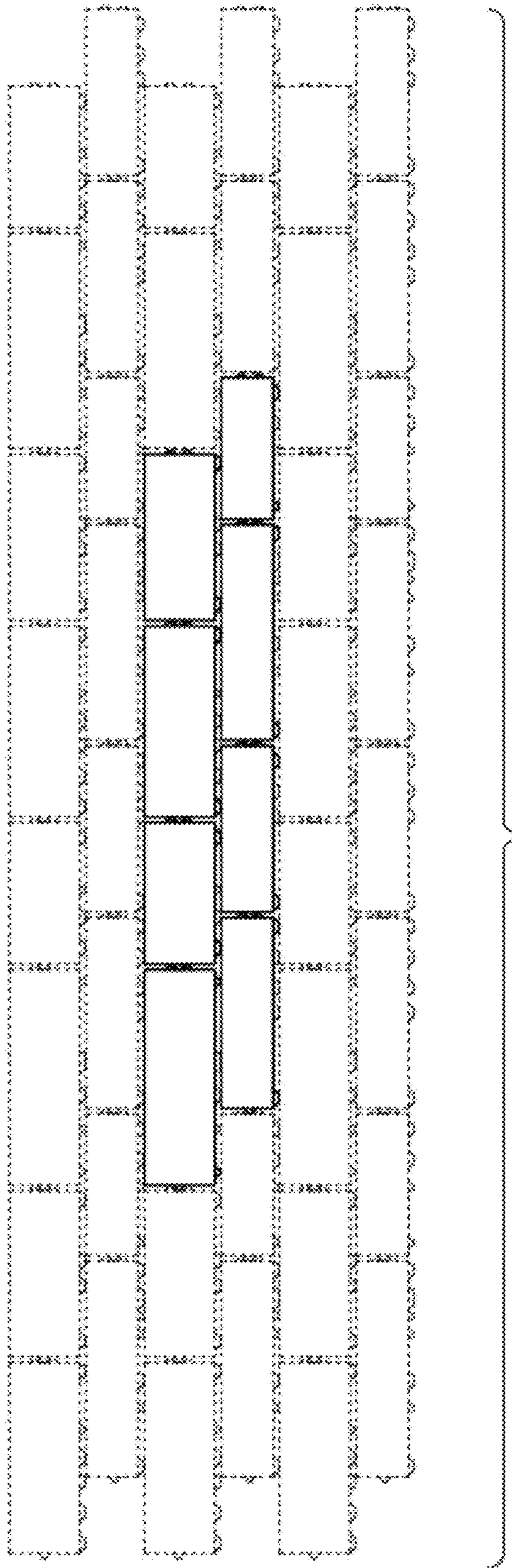


FIG. 8