



US00D663858S

(12) **United States Design Patent**  
**MacDonald**

(10) **Patent No.:** **US D663,858 S**

(45) **Date of Patent:** **\*\* Jul. 17, 2012**

(54) **LANDSCAPING BLOCK**

(75) **Inventor:** **Robert A. MacDonald**, Plymouth, MN (US)

(73) **Assignee:** **Keystone Retaining Wall Systems LLC**, West Chester, OH (US)

(\*\*) **Term:** **14 Years**

(21) **Appl. No.:** **29/366,124**

(22) **Filed:** **Jul. 20, 2010**

(51) **LOC (9) Cl.** ..... **25-01**

(52) **U.S. Cl.** ..... **D25/113**

(58) **Field of Classification Search** ..... D25/102–118, D25/136, 138, 140, 151, 152, 153, 156–162, D25/164; D21/484–491, 499–504; 405/16, 405/284, 286; 52/503–505, 574, 575, 596–612, 52/102; 404/27–42; 47/33; D8/1  
See application file for complete search history.

(56) **References Cited**

**U.S. PATENT DOCUMENTS**

D296,007 S	5/1988	Forsberg	
D301,064 S	5/1989	Forsberg	
4,920,712 A	5/1990	Dean, Jr.	
D319,885 S	9/1991	Blomquist et al.	
D321,060 S	10/1991	Blomquist et al.	
5,062,610 A	11/1991	Woolford et al.	
5,161,918 A	11/1992	Hodel	
5,214,898 A	6/1993	Beretta	
5,252,017 A *	10/1993	Hodel	411/446
D341,215 S	11/1993	Blomquist et al.	
D346,667 S	5/1994	Blomquist et al.	
D347,070 S *	5/1994	Anderson et al.	D25/114
D350,402 S *	9/1994	Pribyl et al.	D25/118
D352,789 S	11/1994	Adam	
D363,787 S *	10/1995	Powell	D25/118
5,507,599 A	4/1996	Anderson et al.	
5,568,994 A	10/1996	Dawson	
5,601,384 A	2/1997	Dawson	
5,619,835 A	4/1997	Bailey, II et al.	
5,624,211 A	4/1997	Anderson et al.	
D380,560 S	7/1997	Forsberg	
D381,086 S	7/1997	Forsberg	
D384,168 S	9/1997	Stevenson	

D387,434 S	12/1997	Dawson	
5,707,184 A	1/1998	Anderson et al.	
D391,376 S	2/1998	Strand et al.	
D397,230 S	8/1998	Forsberg	
D397,451 S	8/1998	Stevenson	
D397,808 S	9/1998	Dawson	
5,827,015 A	10/1998	Woolford et al.	
5,865,006 A	2/1999	Dawson	
5,913,790 A	6/1999	Dawson	
5,941,042 A	8/1999	Dueck	
5,984,589 A	11/1999	Ciccarello	
6,019,550 A	2/2000	Wrigley et al.	
6,035,599 A	3/2000	Sonnentag	
D429,004 S	8/2000	Strand et al.	
D430,308 S	8/2000	Dawson	
D433,158 S *	10/2000	Hammer	D25/113
6,149,352 A	11/2000	MacDonald	
D435,917 S *	1/2001	Hammer	D25/113
6,168,354 B1	1/2001	Martin et al.	

(Continued)

*Primary Examiner* — Anhdao Doan

(74) *Attorney, Agent, or Firm* — Popovich, Wiles & O'Connell, P.A.

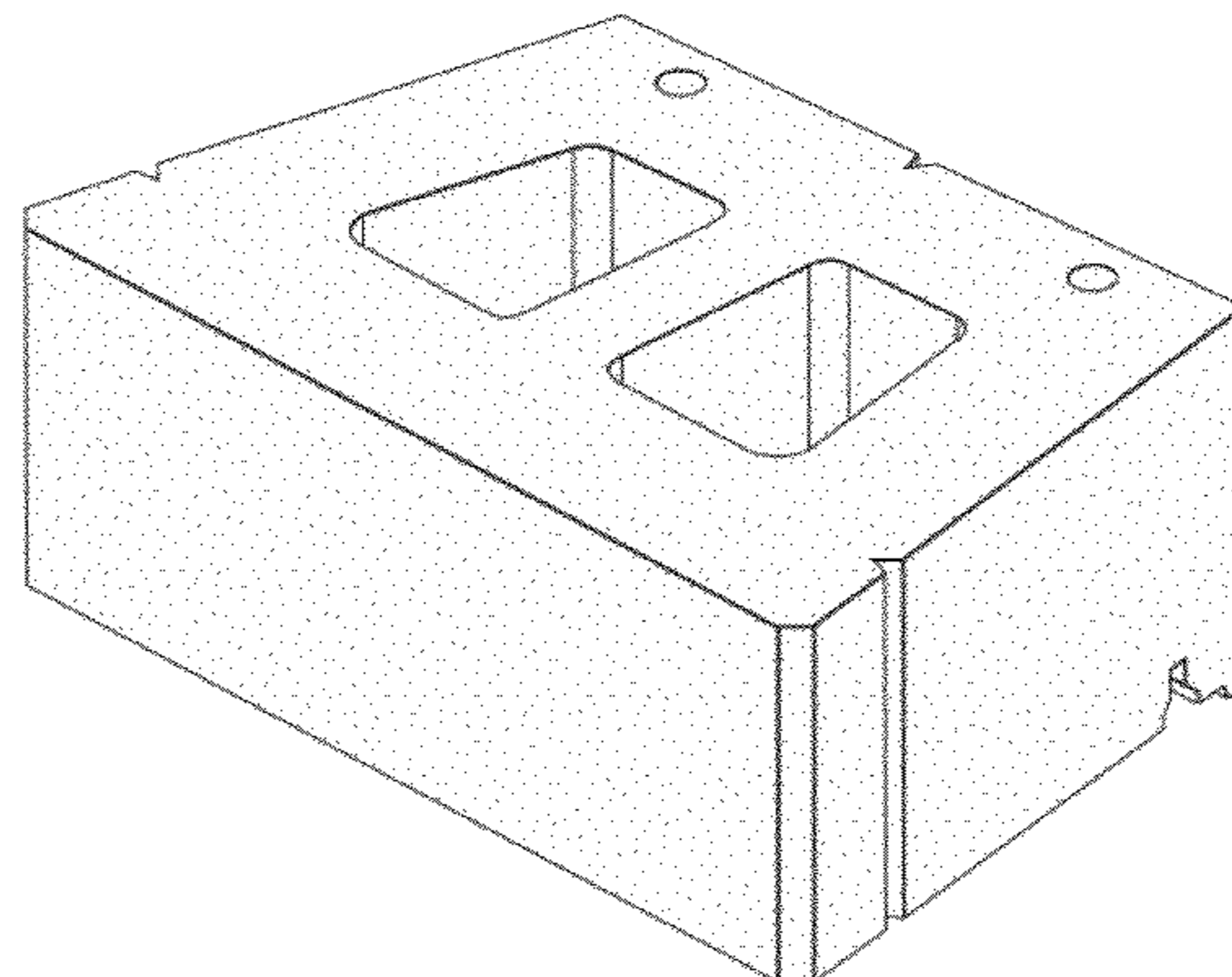
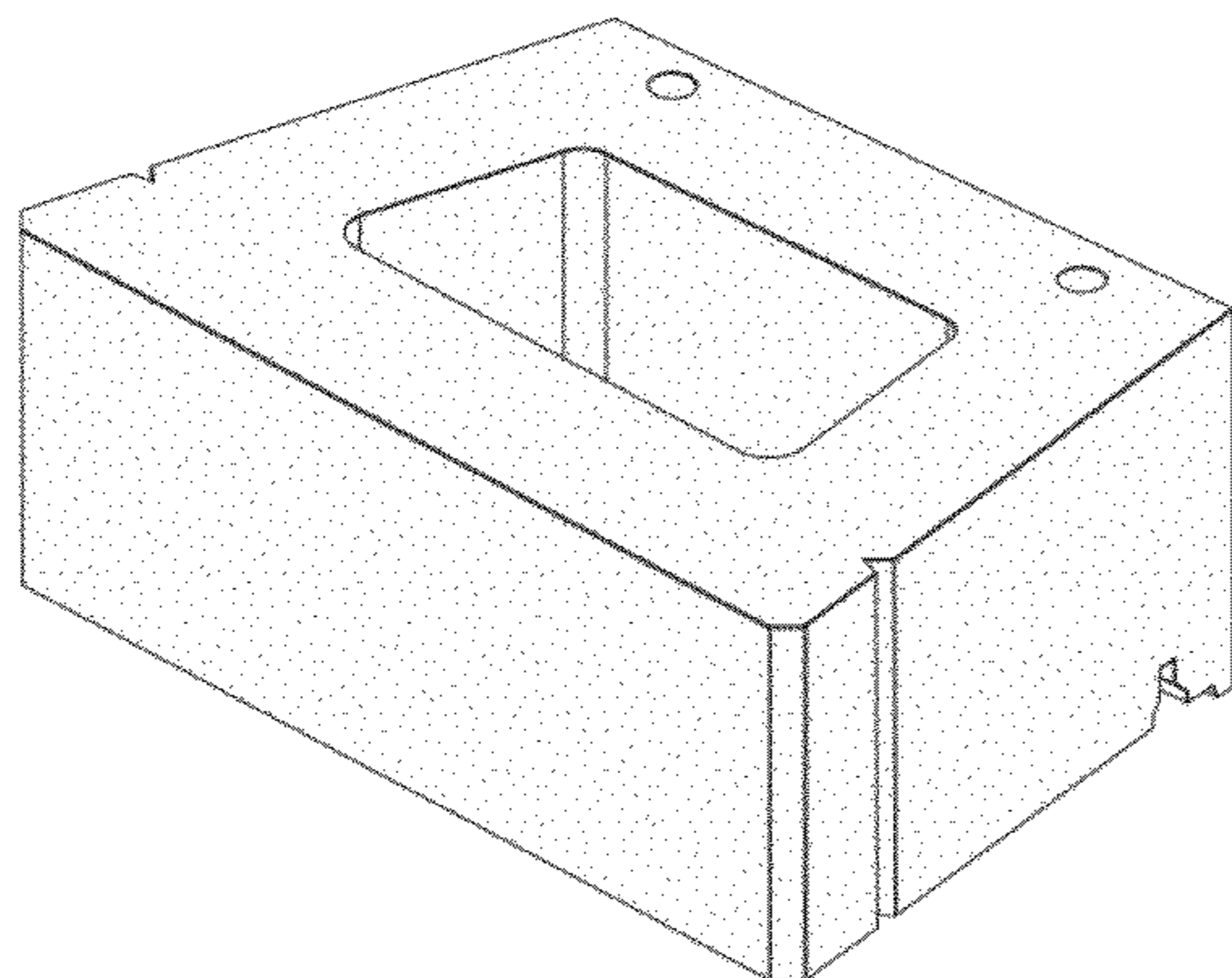
(57) **CLAIM**

The ornamental design for a landscaping block, as shown and described.

**DESCRIPTION**

FIG. 1 is a front perspective view of a first embodiment of a landscaping block;  
FIG. 2 is a top plan view thereof;  
FIG. 3 is a bottom plan view thereof;  
FIG. 4 is a left side elevational view thereof;  
FIG. 5 is a right side elevational view thereof;  
FIG. 6 is a rear elevational view thereof;  
FIG. 7 is a front elevational view thereof;  
FIG. 8 is a front perspective view of a second embodiment of a landscaping block;  
FIG. 9 is a top plan view thereof;  
FIG. 10 is a bottom plan view thereof;  
FIG. 11 is a left side elevational view thereof;  
FIG. 12 is a right side elevational view thereof;  
FIG. 13 is a rear elevational view thereof; and,  
FIG. 14 is a front elevational view thereof.  
The portions of the landscaping block shown in broken lines form no part of the claimed design.

**1 Claim, 14 Drawing Sheets**

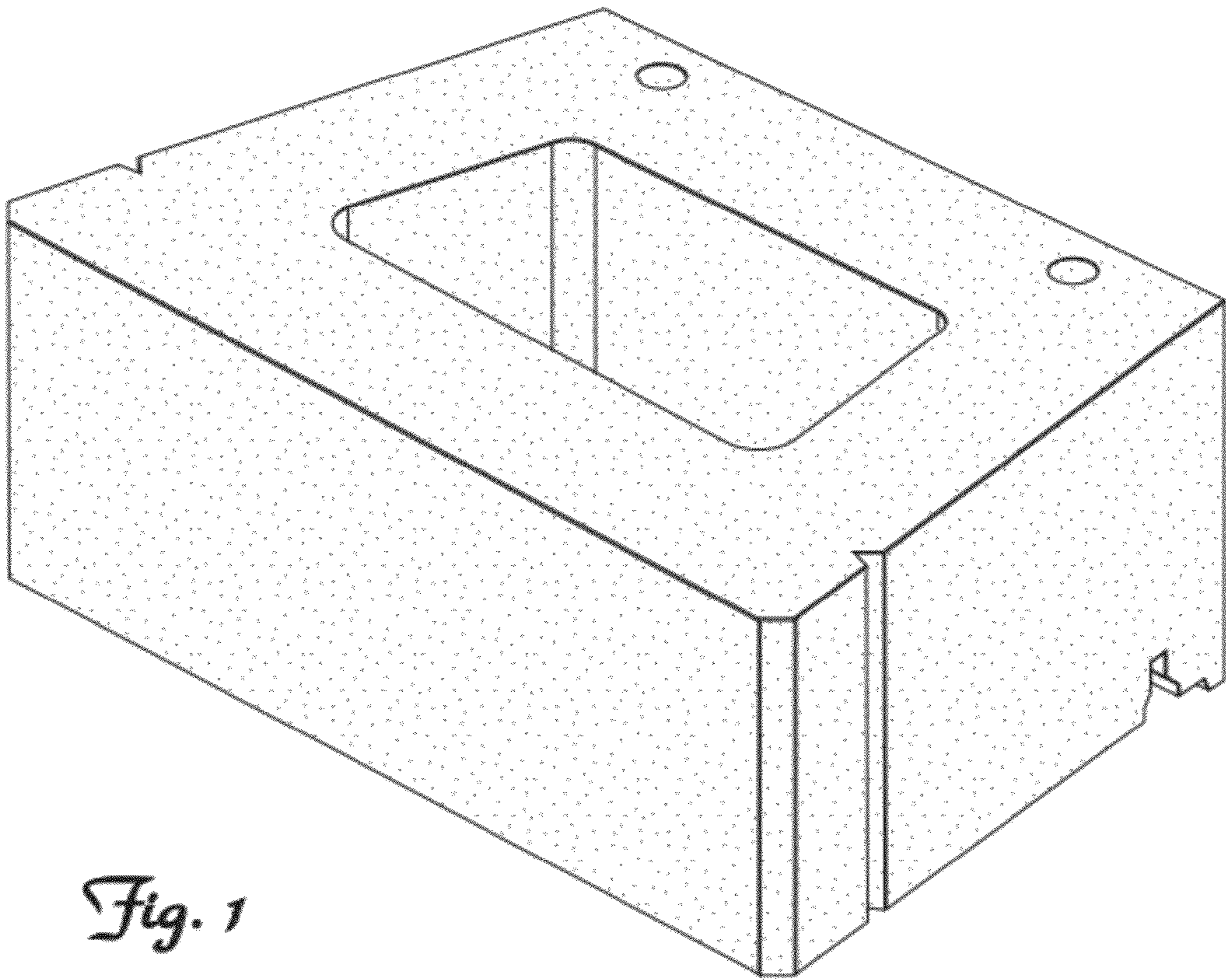


# US D663,858 S

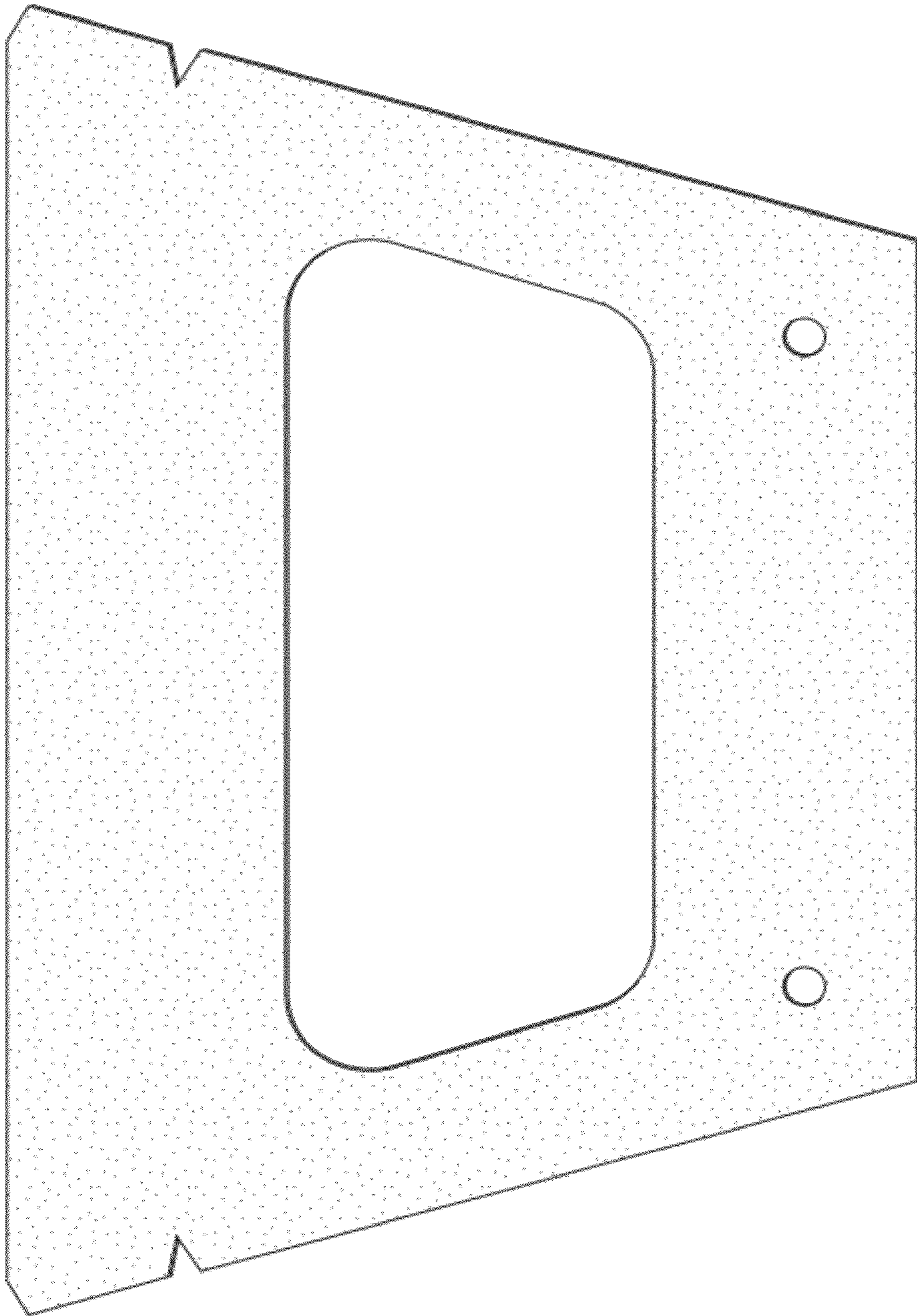
## U.S. PATENT DOCUMENTS

D439,678	S *	3/2001	Blomquist et al. ....	D25/115	7,360,970	B2	4/2008	Woolford et al.
D458,387	S	6/2002	Blomquist et al.		7,448,830	B2	11/2008	MacDonald et al.
D466,228	S *	11/2002	Hammer .....	D25/113	7,641,178	B2	1/2010	MacDonald et al.
6,474,036	B2	11/2002	Martin et al.		D610,710	S	2/2010	LaCroix et al.
D467,009	S *	12/2002	Agee .....	D25/113	7,654,776	B2	2/2010	MacDonald et al.
6,488,448	B1	12/2002	Blomquist et al.		D615,669	S	5/2010	Caggiano
6,527,483	B1	3/2003	Agee		D620,135	S	7/2010	Adam
6,536,994	B2	3/2003	Race		D620,615	S	7/2010	MacDonald et al.
D479,003	S *	8/2003	Nordstrand .....	D25/113	D621,070	S	8/2010	MacDonald et al.
6,615,561	B2	9/2003	MacDonald et al.		7,780,141	B2	8/2010	Dawson et al.
6,622,445	B1	9/2003	Shillingburg et al.		7,934,351	B2	5/2011	Clarno
D485,371	S *	1/2004	Burgess et al. ....	D25/113	7,971,407	B2	7/2011	MacDonald
6,701,687	B1 *	3/2004	Shillingburg .....	52/606	D645,575	S	9/2011	Bone
6,709,201	B2	3/2004	Race		2002/0001509	A1 *	1/2002	Hong ..... 405/286
D488,242	S	4/2004	MacDonald		2005/0102949	A1 *	5/2005	Whitson ..... 52/596
D488,568	S	4/2004	MacDonald		2006/0110223	A1	5/2006	Dawson
D488,569	S	4/2004	Dawson		2008/0277561	A1	11/2008	MacDonald
D490,542	S	5/2004	MacDonald		2008/0289282	A1	11/2008	MacDonald
6,803,002	B2	10/2004	Suto et al.		2008/0302350	A1	12/2008	LaCroix
6,821,058	B1	11/2004	Dawson		2008/0307740	A1	12/2008	MacDonald
D501,935	S	2/2005	Dawson et al.		2008/0313988	A1	12/2008	MacDonald
6,854,231	B2	2/2005	MacDonald et al.		2009/0120029	A1	5/2009	LaCroix et al.
6,912,823	B2	7/2005	MacDonald et al.		2009/0151281	A1	6/2009	MacDonald et al.
7,048,472	B2 *	5/2006	Woolford et al. ....	405/286	2009/0188196	A1	7/2009	Macdonald
7,096,634	B2	8/2006	Dean, Jr.		2009/0308015	A1	12/2009	Macdonald et al.
D530,830	S	10/2006	Collison et al.		2009/0313936	A1	12/2009	MacDonald et al.
7,168,892	B1	1/2007	MacDonald et al.		2010/0308502	A1	12/2010	Lacroix et al.
7,244,079	B1	7/2007	Blomquist et al.		2010/0310695	A1	12/2010	Lacroix et al.
D551,360	S *	9/2007	Price .....	D25/113	2011/0072753	A1	3/2011	Macdonald
D551,361	S *	9/2007	Price .....	D25/113	2011/0217127	A1	9/2011	MacDonald
D556,919	S *	12/2007	Price .....	D25/116	2011/0243669	A1	10/2011	Friederichs et al.
7,328,537	B2	2/2008	Hammer					

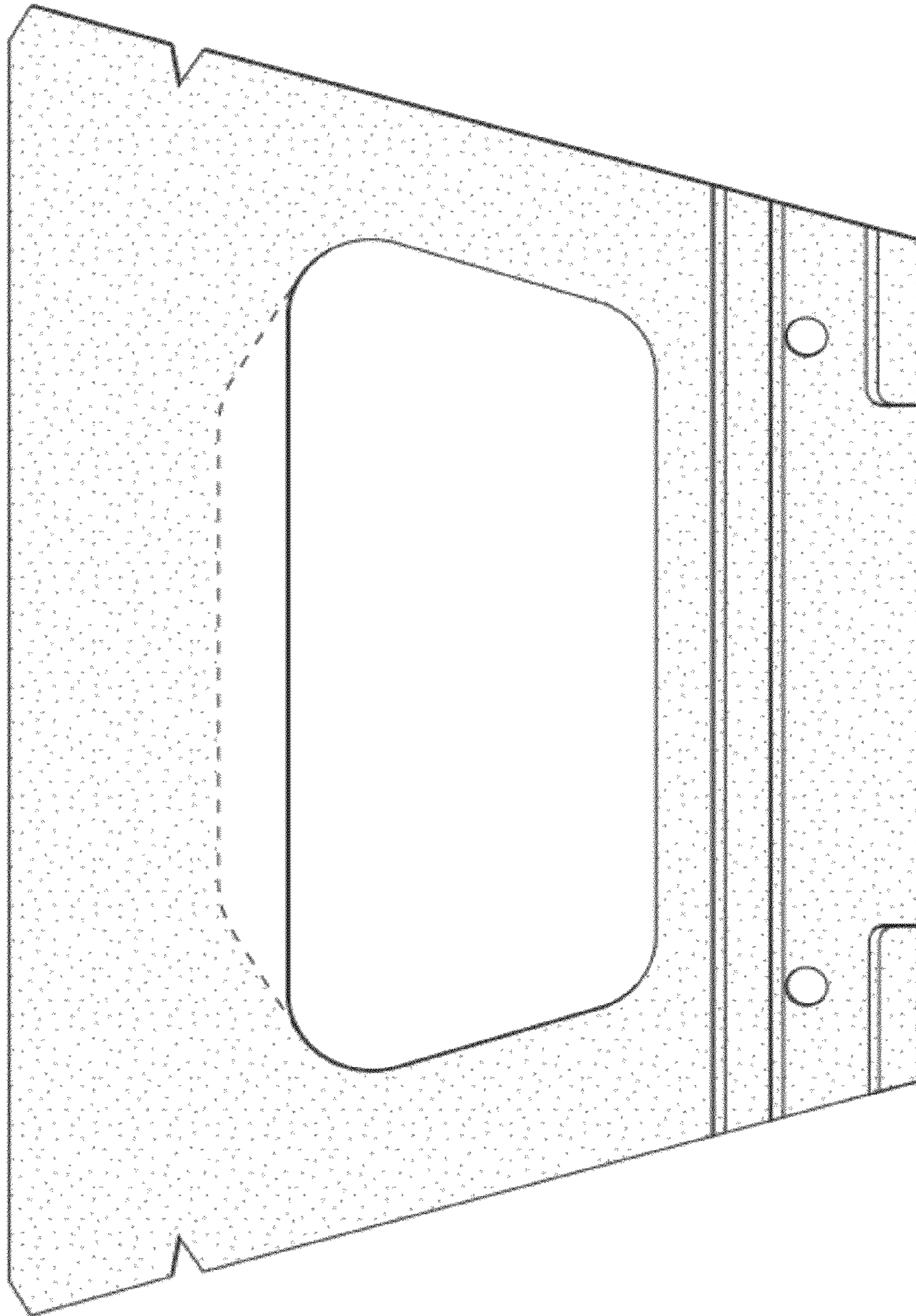
\* cited by examiner



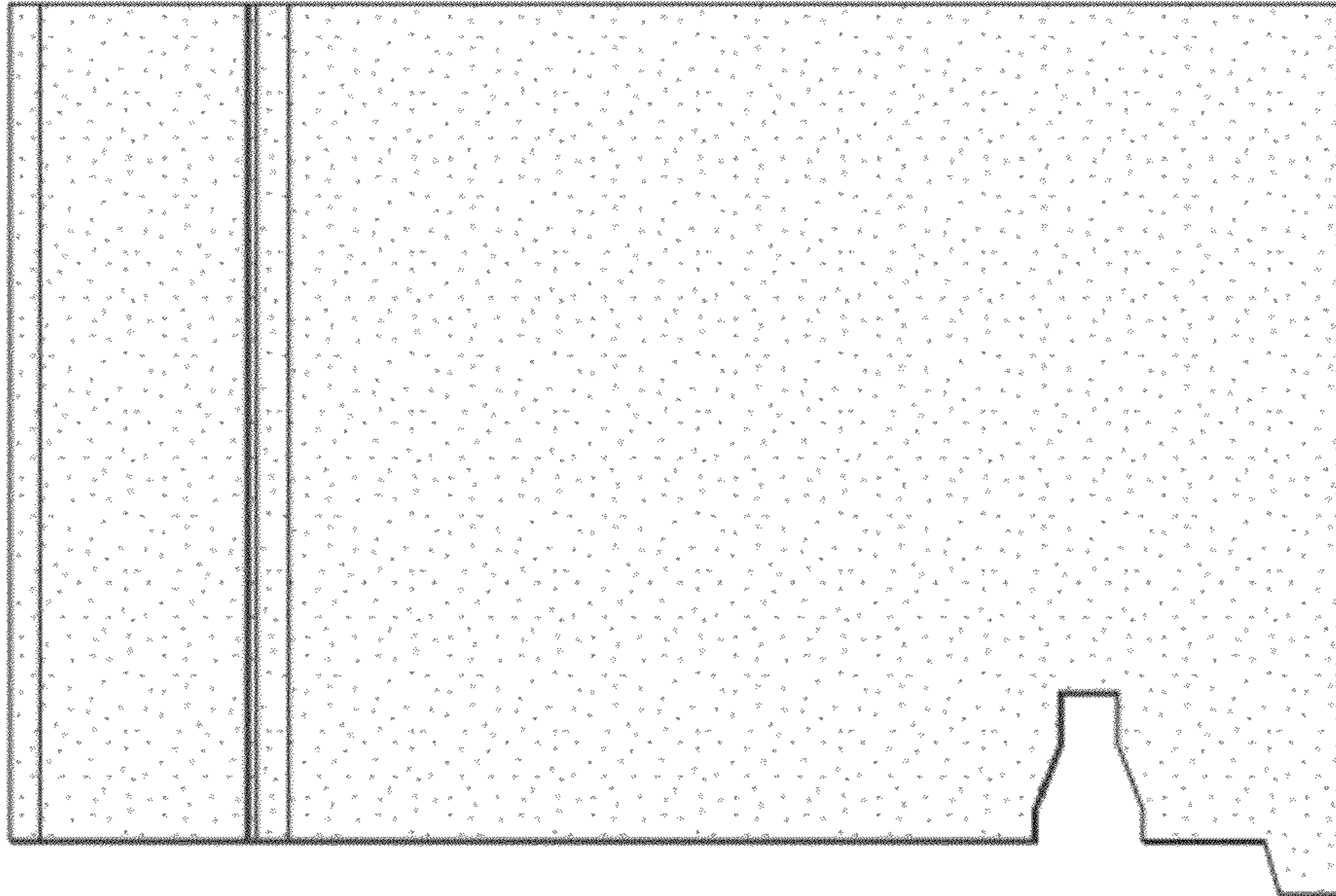
*Fig. 1*



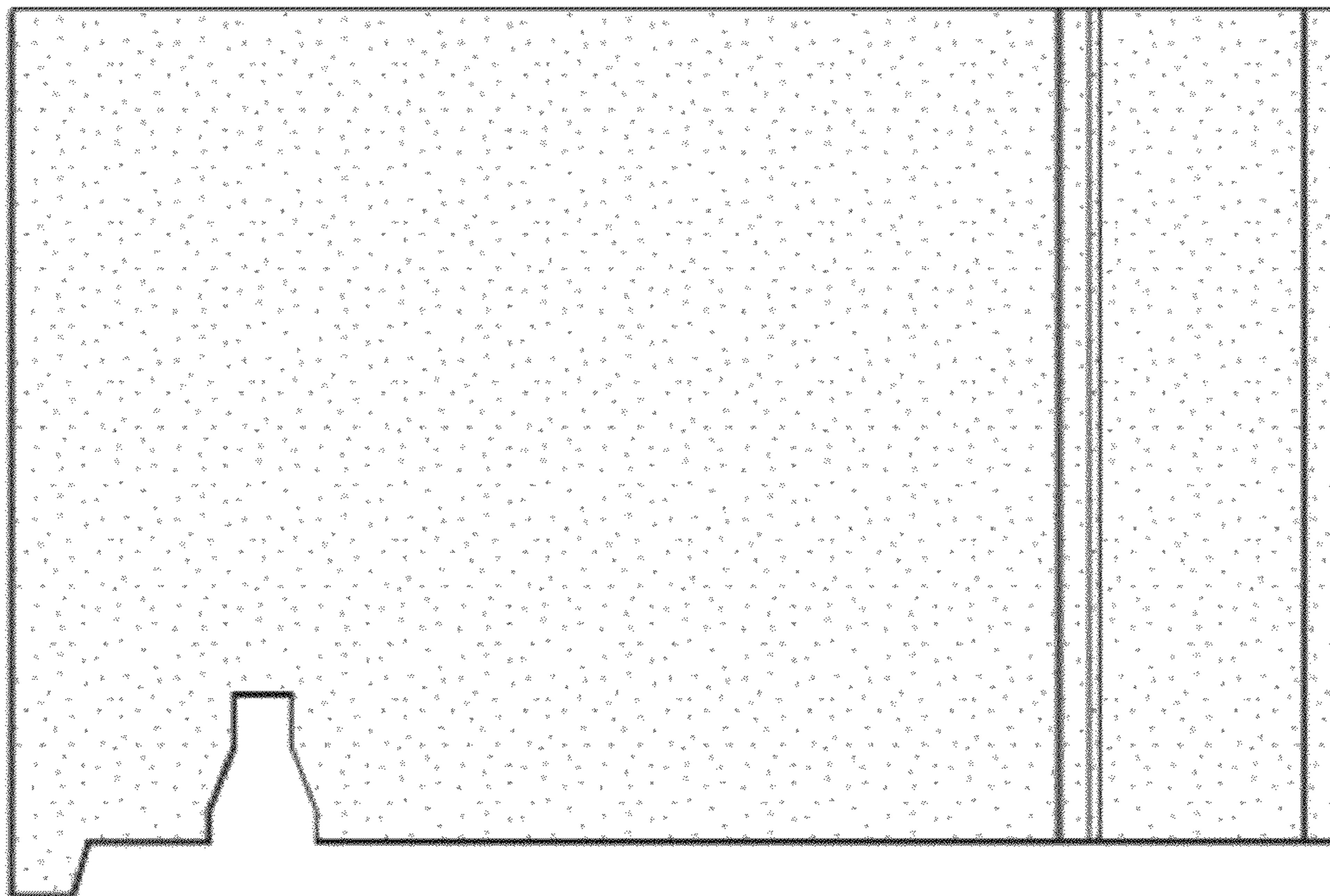
*Fig. 2*



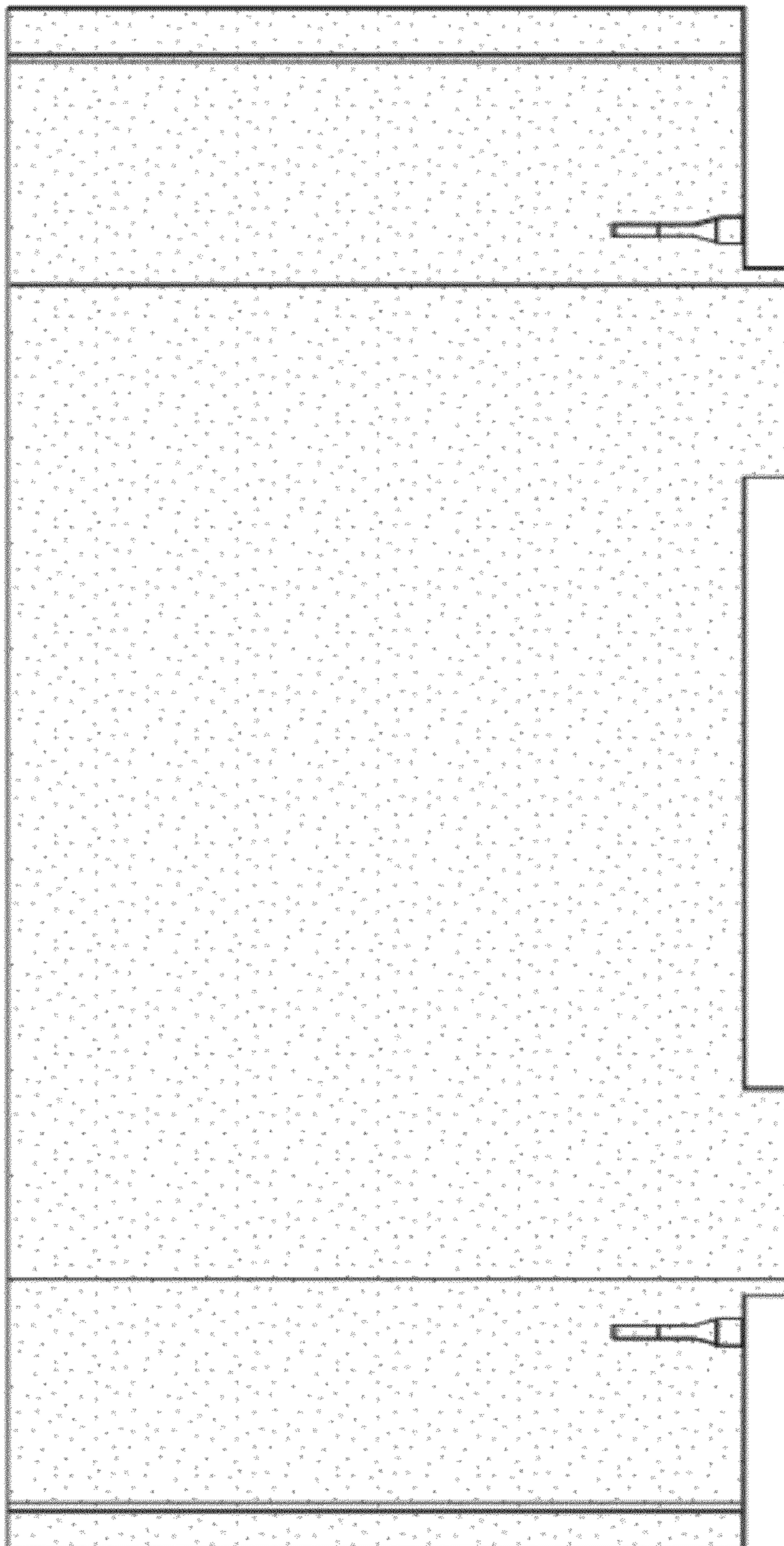
*Fig. 3*



*Fig. 4*

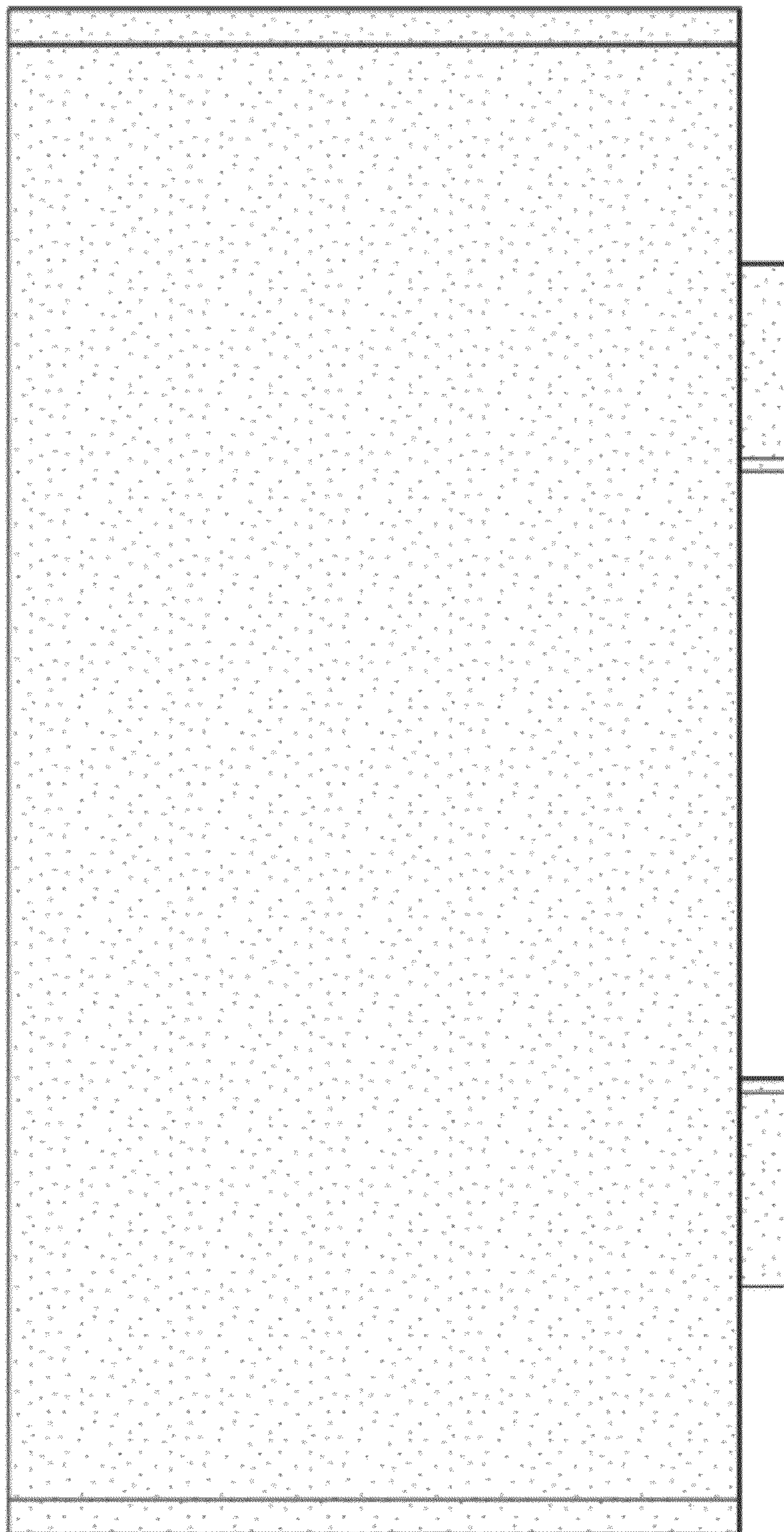


*Fig. 5*

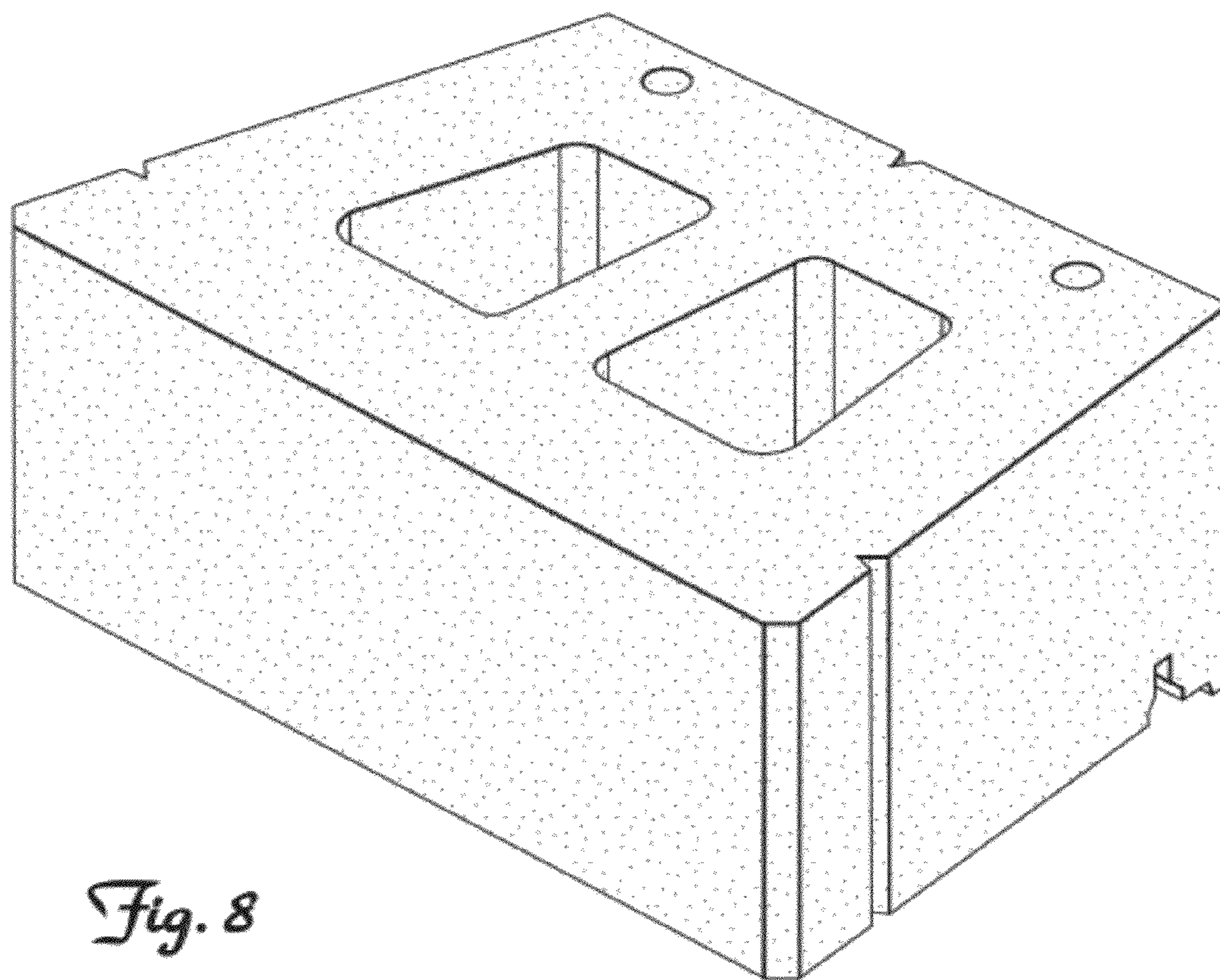


*Fig. 6*

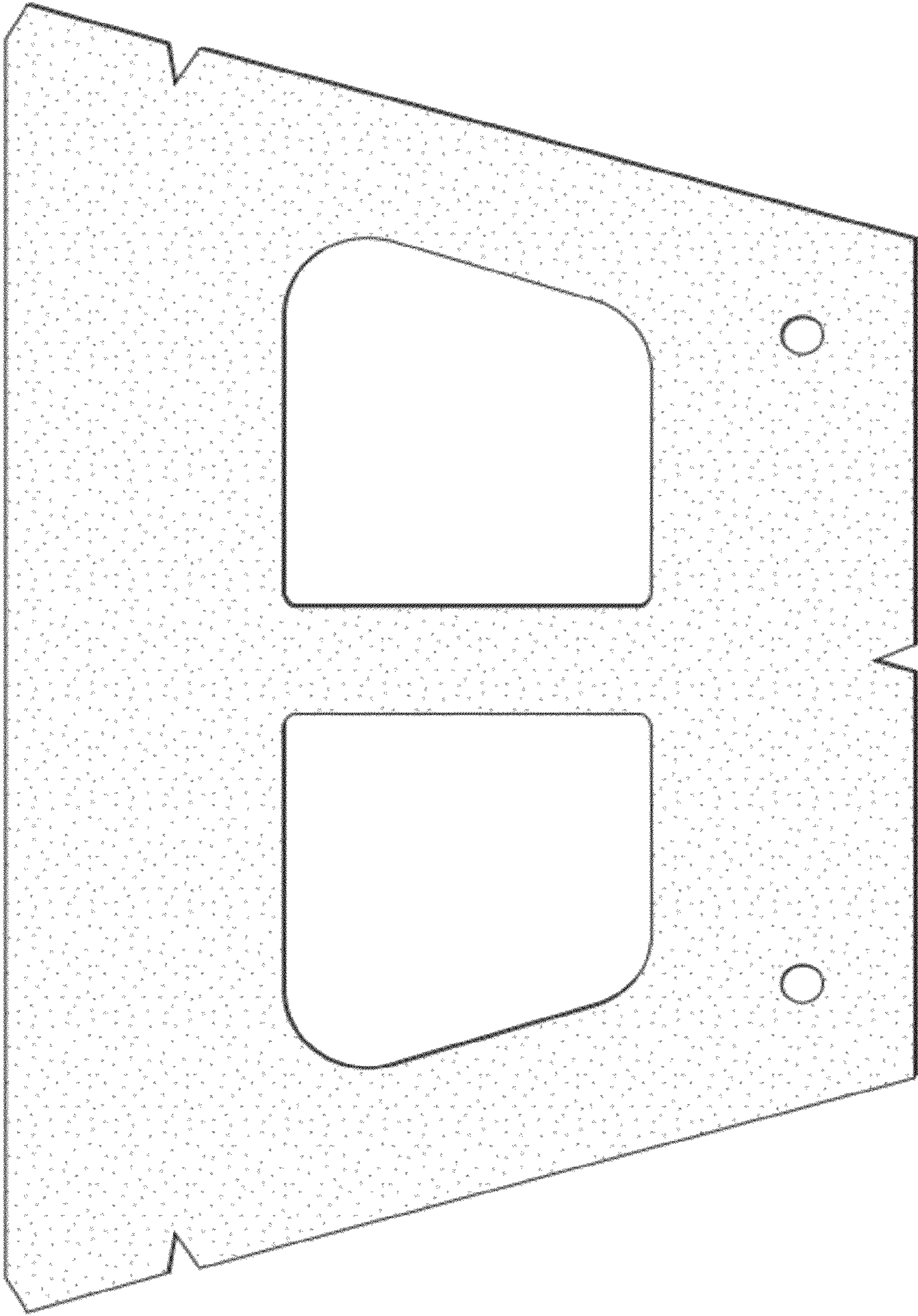




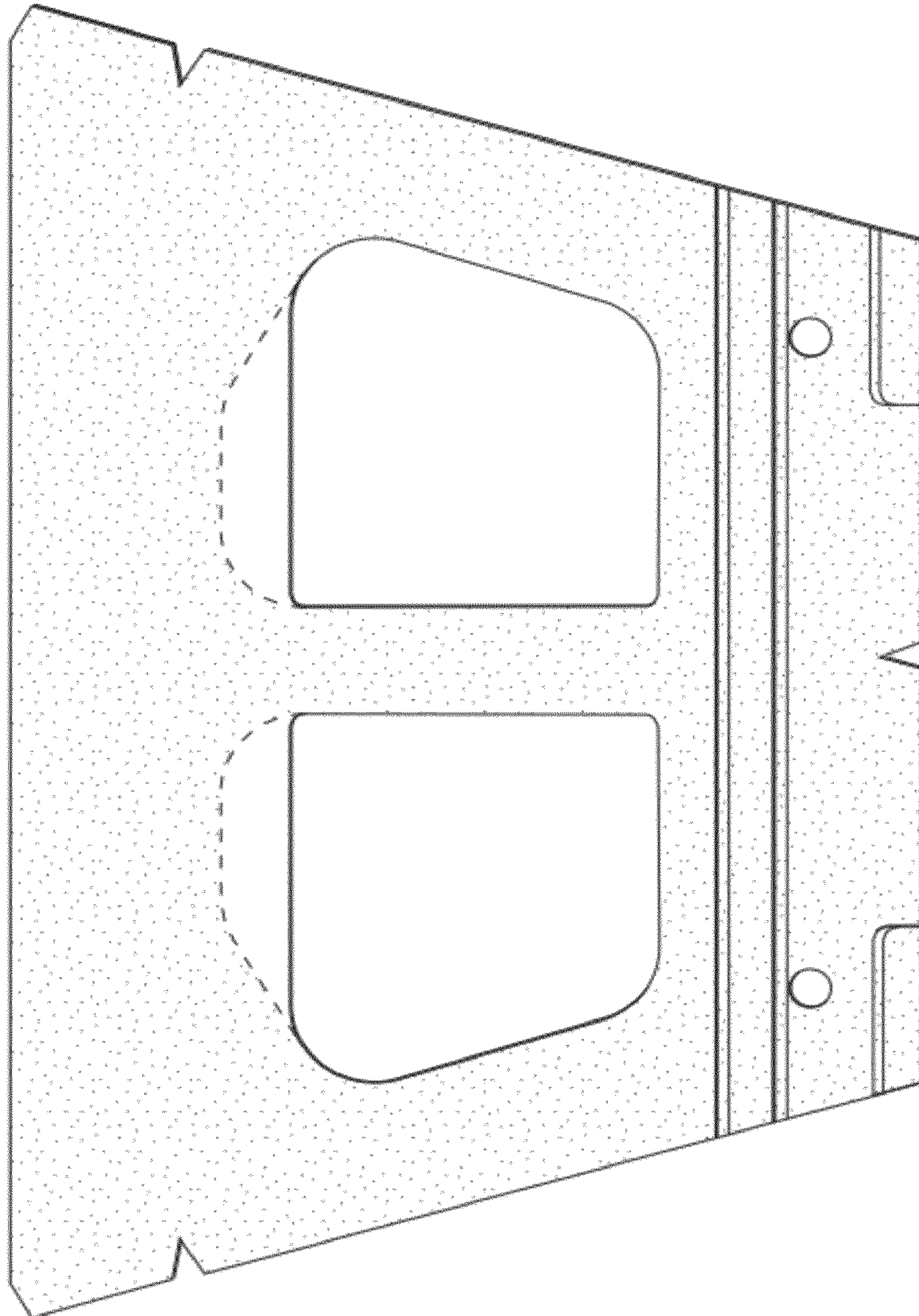
*Fig. 7*



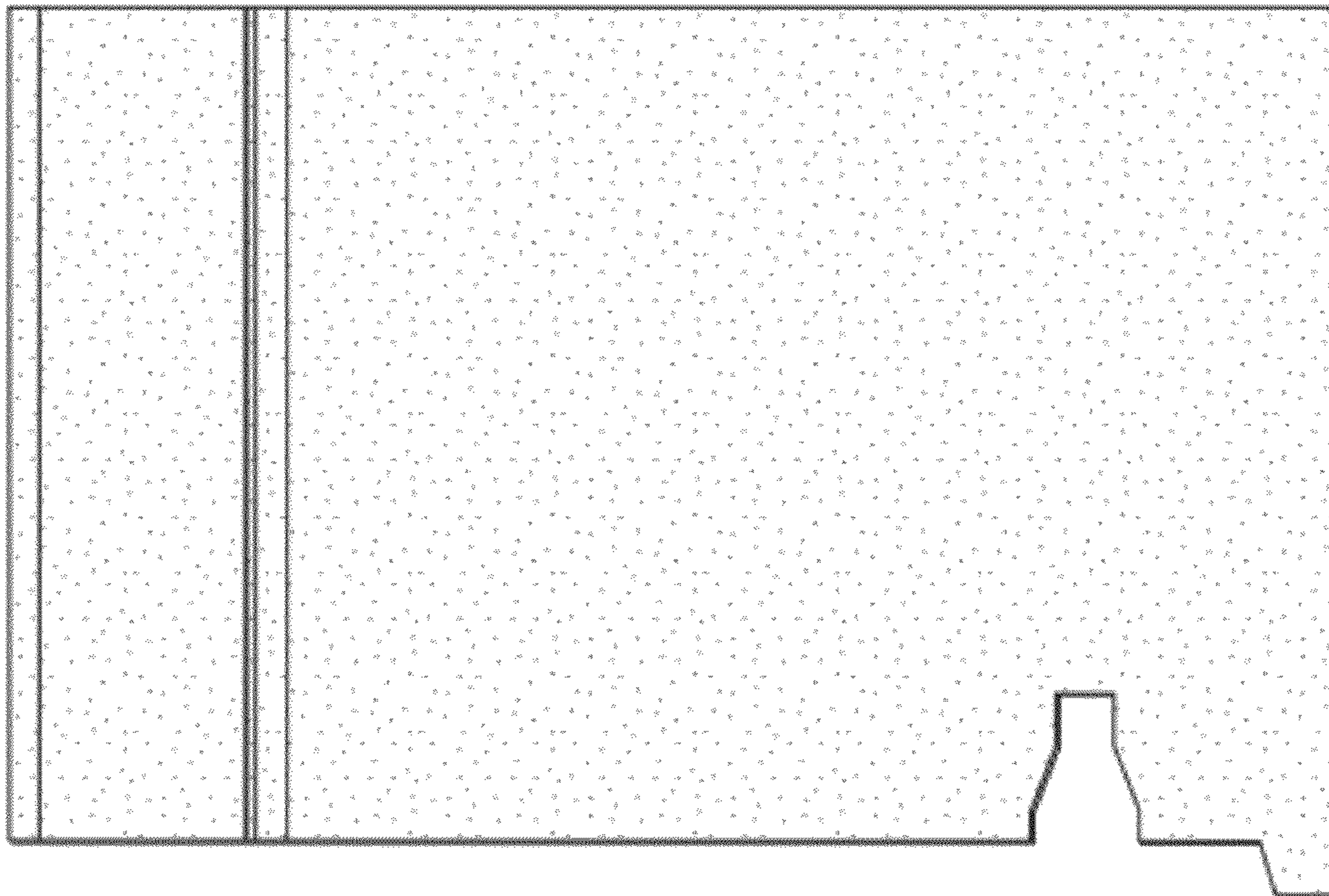
*Fig. 8*



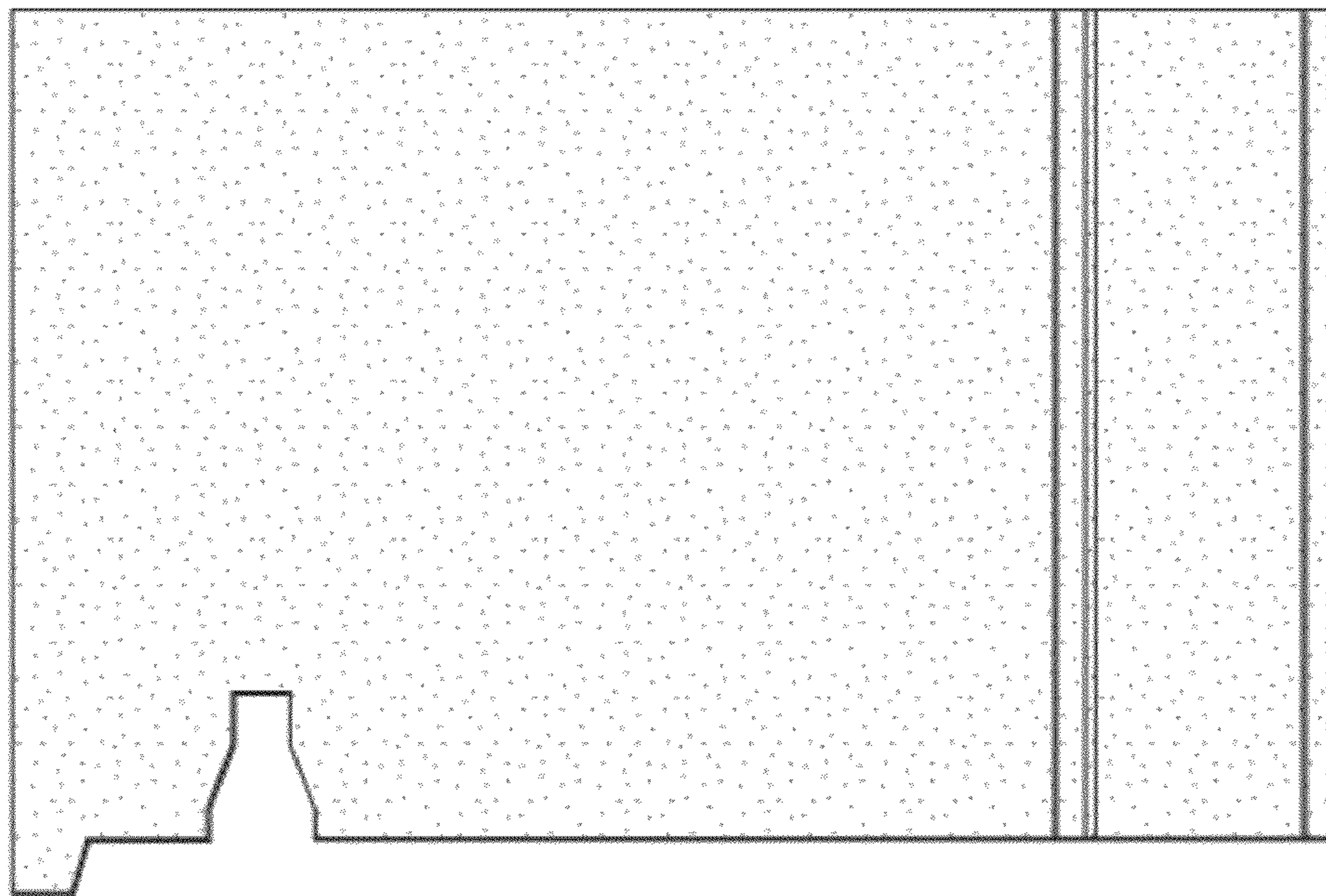
*Fig. 9*



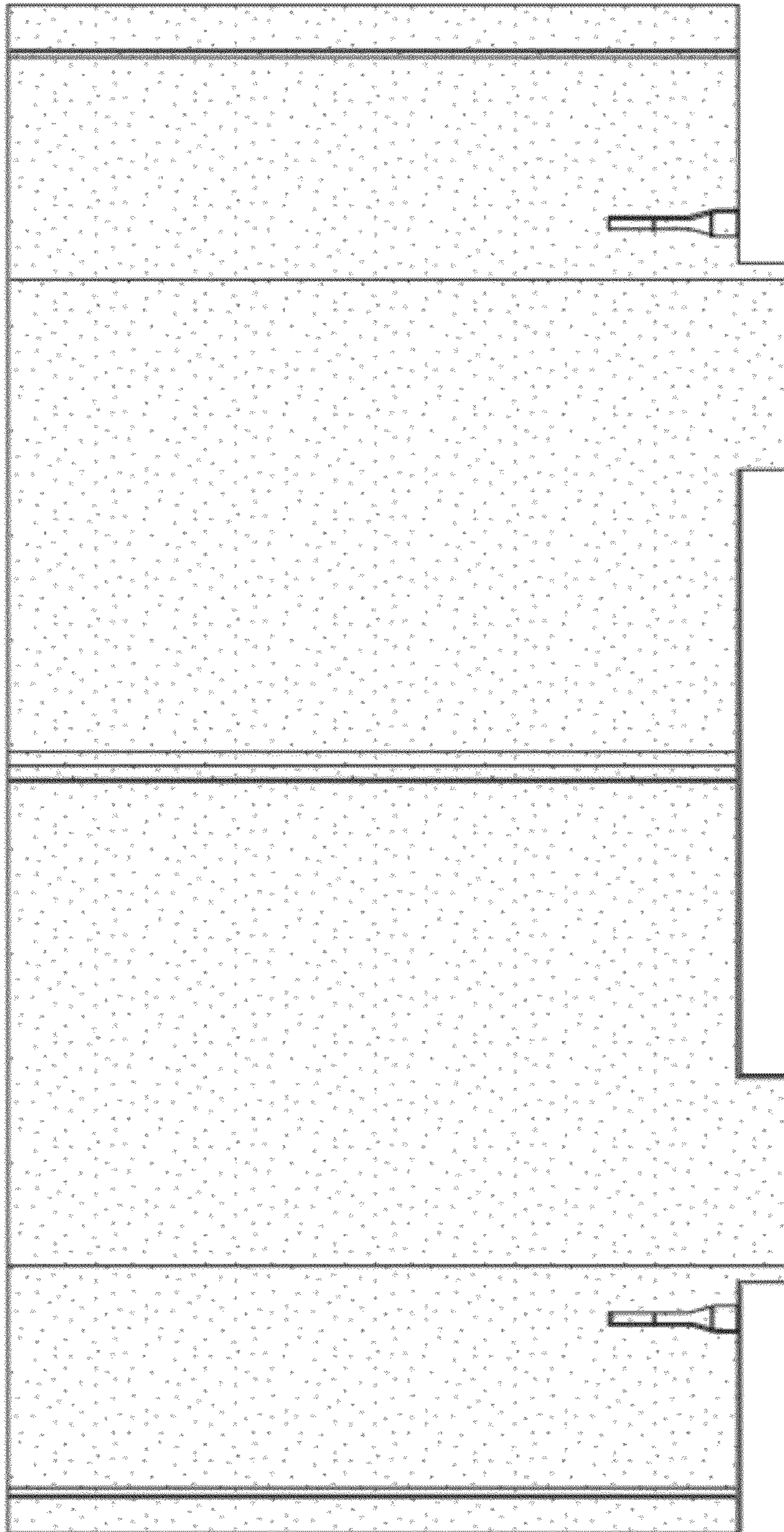
*Fig. 10*



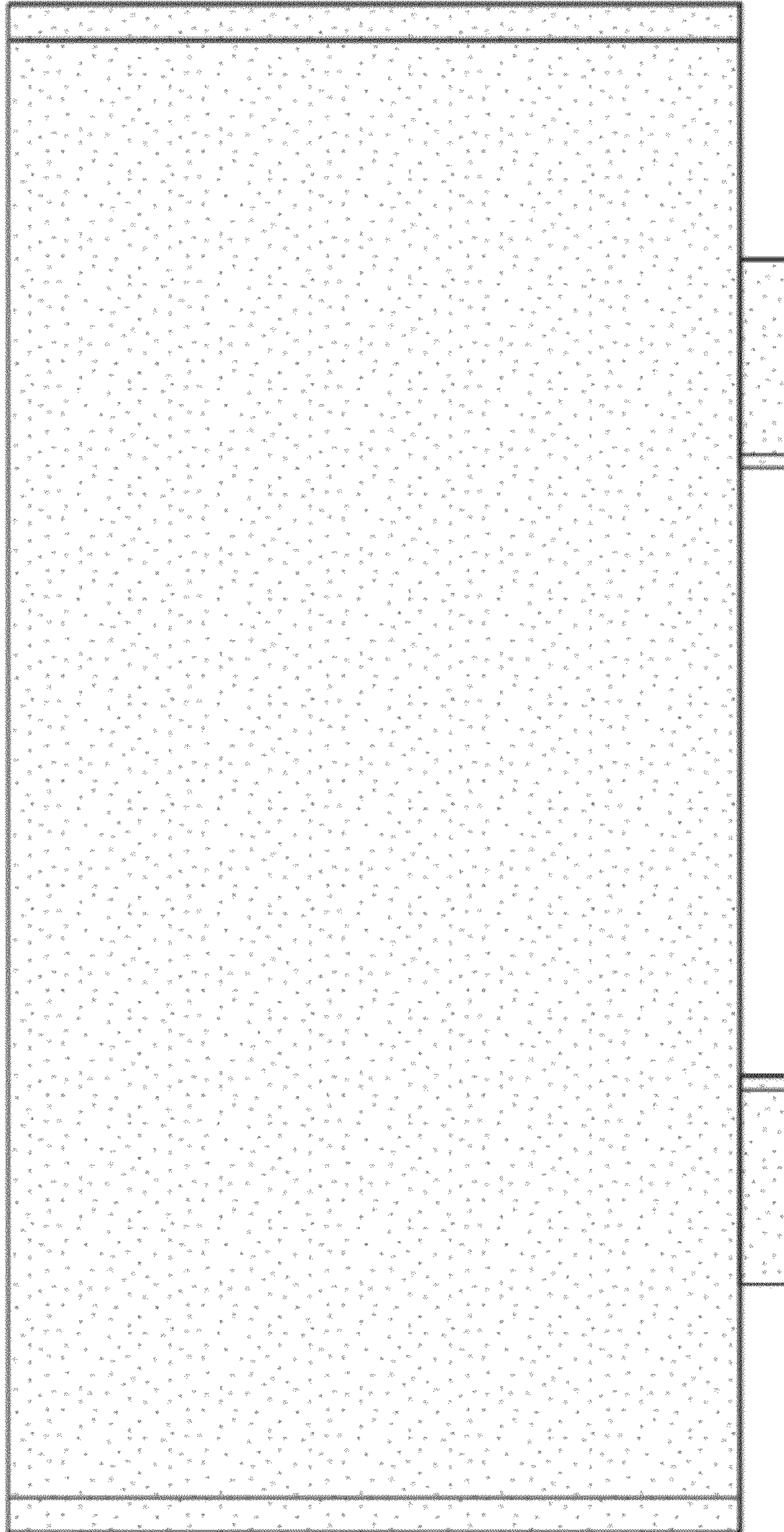
*Fig. 11*



*Fig. 12*



*Fig. 13*



*Fig. 14*