



US00D663857S

(12) **United States Design Patent**
Marshall, Sr.

(10) **Patent No.:** **US D663,857 S**
(45) **Date of Patent:** **** Jul. 17, 2012**

(54) **CAR WASH BUILDING**

(76) Inventor: **Douglas Marshall, Sr.**, Oakland, CA
(US)

(**) Term: **14 Years**

(21) Appl. No.: **29/388,722**

(22) Filed: **Mar. 31, 2011**

(51) **LOC (9) Cl.** **25-03**

(52) **U.S. Cl.** **D25/11; D25/33**

(58) **Field of Classification Search** D25/11,
D25/33; 134/45, 123; 280/828, 29, 79.14,
280/400; D12/83; 52/79.1

See application file for complete search history.

(56) **References Cited**

U.S. PATENT DOCUMENTS

D544,963 S *	6/2007	Aranda	D25/11
D583,483 S *	12/2008	Atchison et al.	D25/11
D614,533 S *	4/2010	Weible et al.	D12/83
2005/0166476 A1 *	8/2005	Feng	52/79.1

* cited by examiner

Primary Examiner — Doris Clark

(74) *Attorney, Agent, or Firm* — Nwamu, PC; Fidel Nwamu

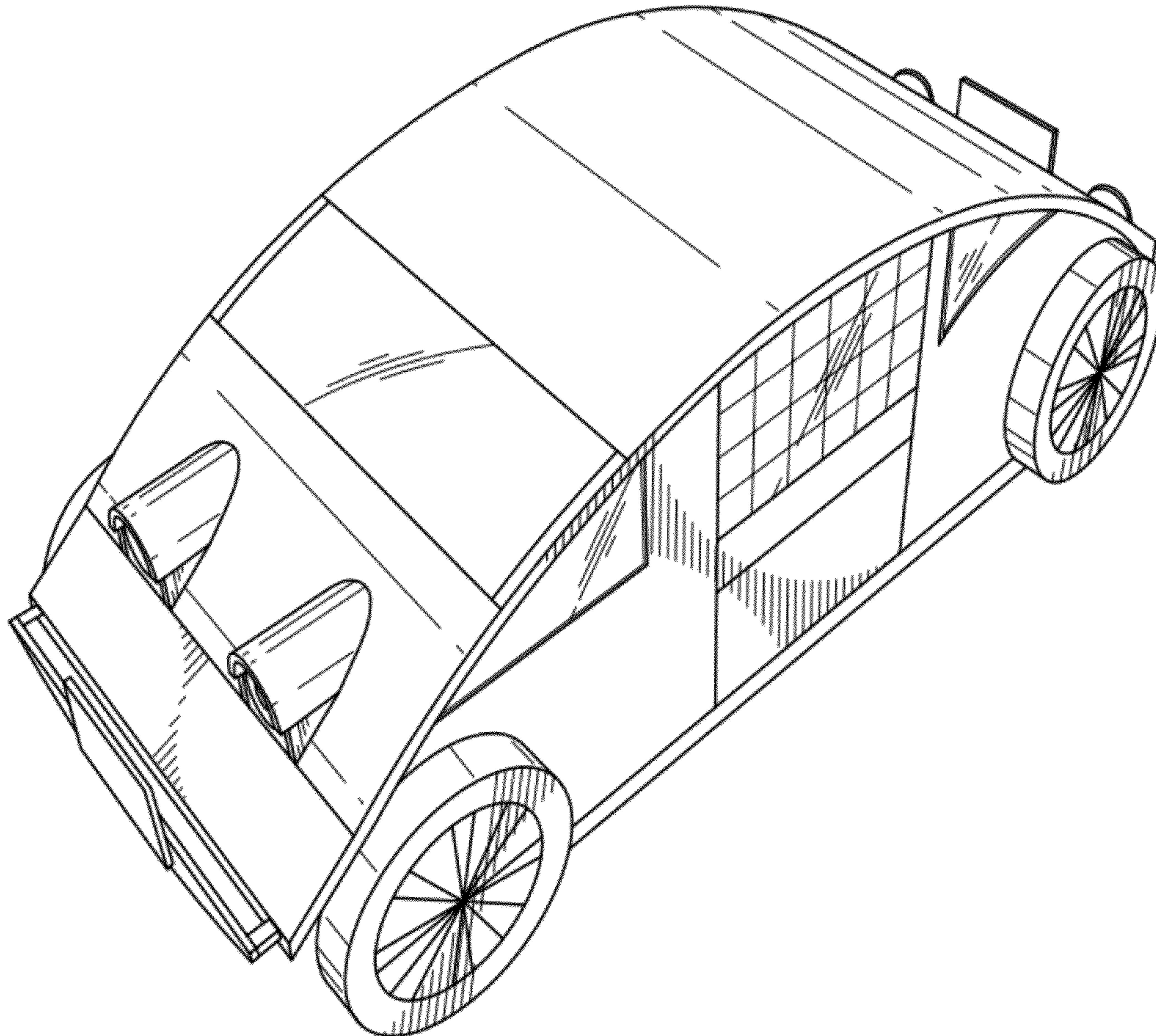
(57) **CLAIM**

I claim the ornamental design for a car wash building, as shown and described.

DESCRIPTION

FIG. 1 is a rear perspective view of the car wash building showing my new full design;
FIG. 2 is a front elevational view of the car wash building showing my new full design;
FIG. 3 is a right side elevational view of the car wash building showing my new full design;
FIG. 4 is a rear elevational view of the car wash building showing my new full design; and,
FIG. 5 is a left side elevational view of the car wash building showing my new full design.

1 Claim, 5 Drawing Sheets



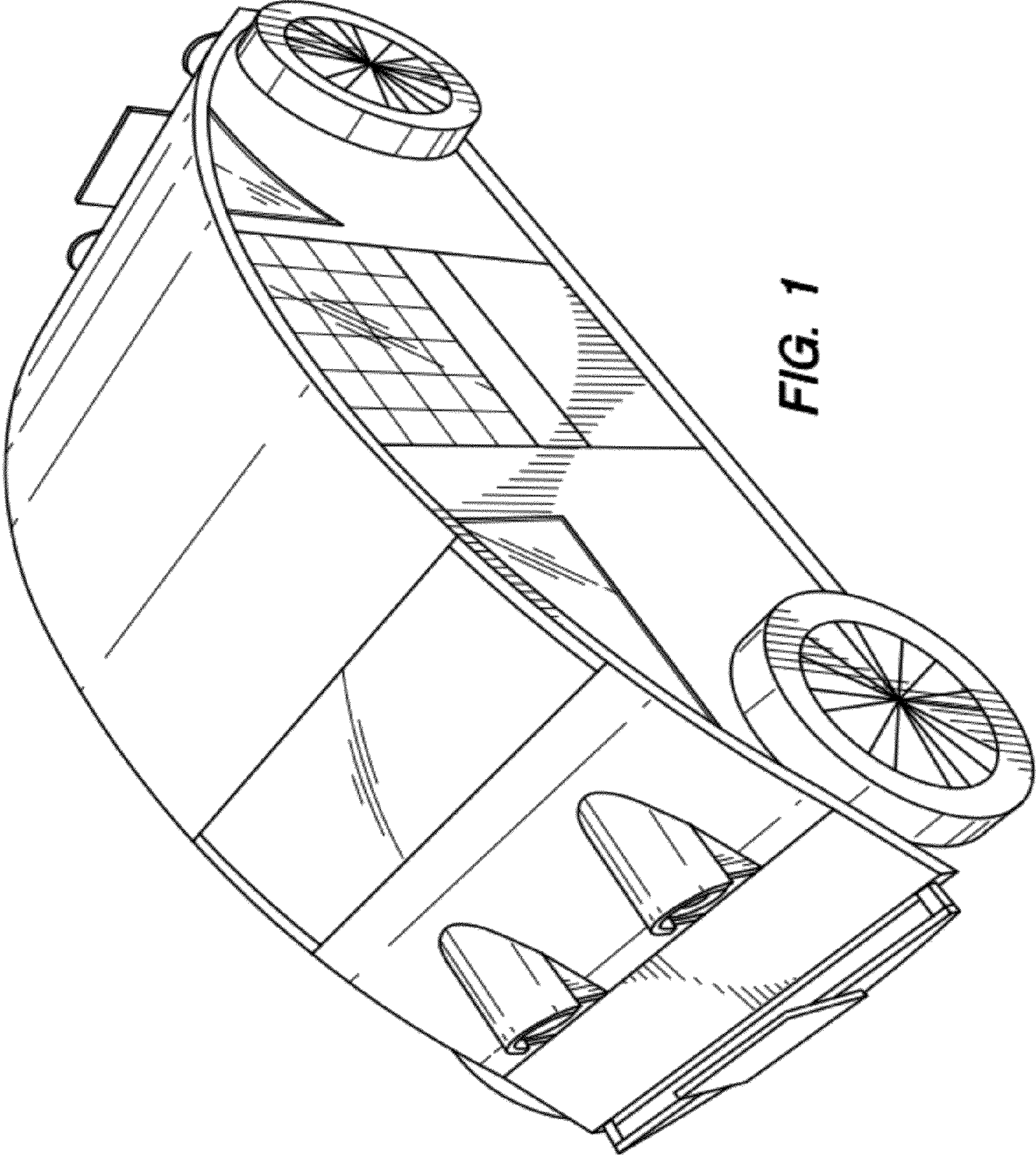


FIG. 1

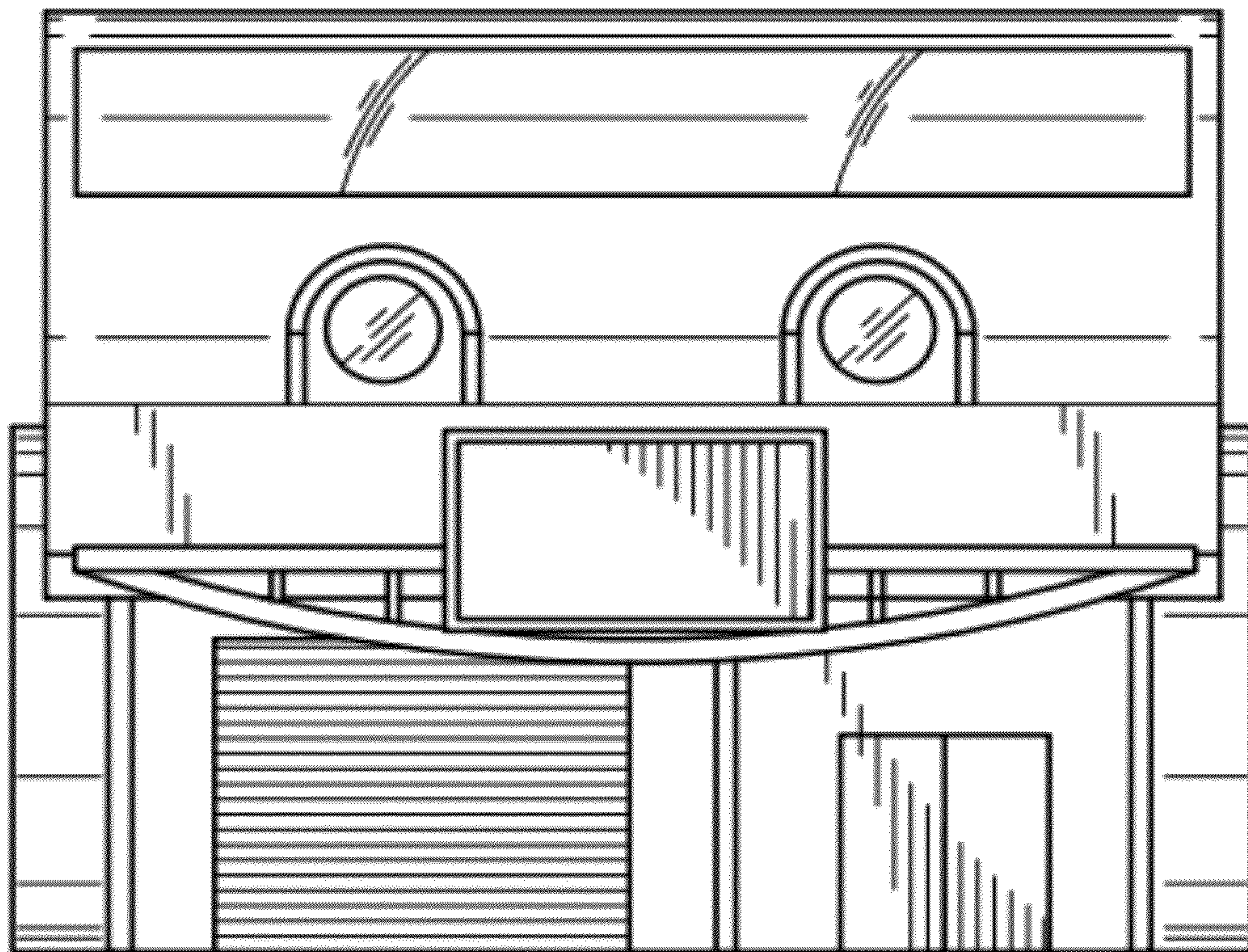


FIG. 2

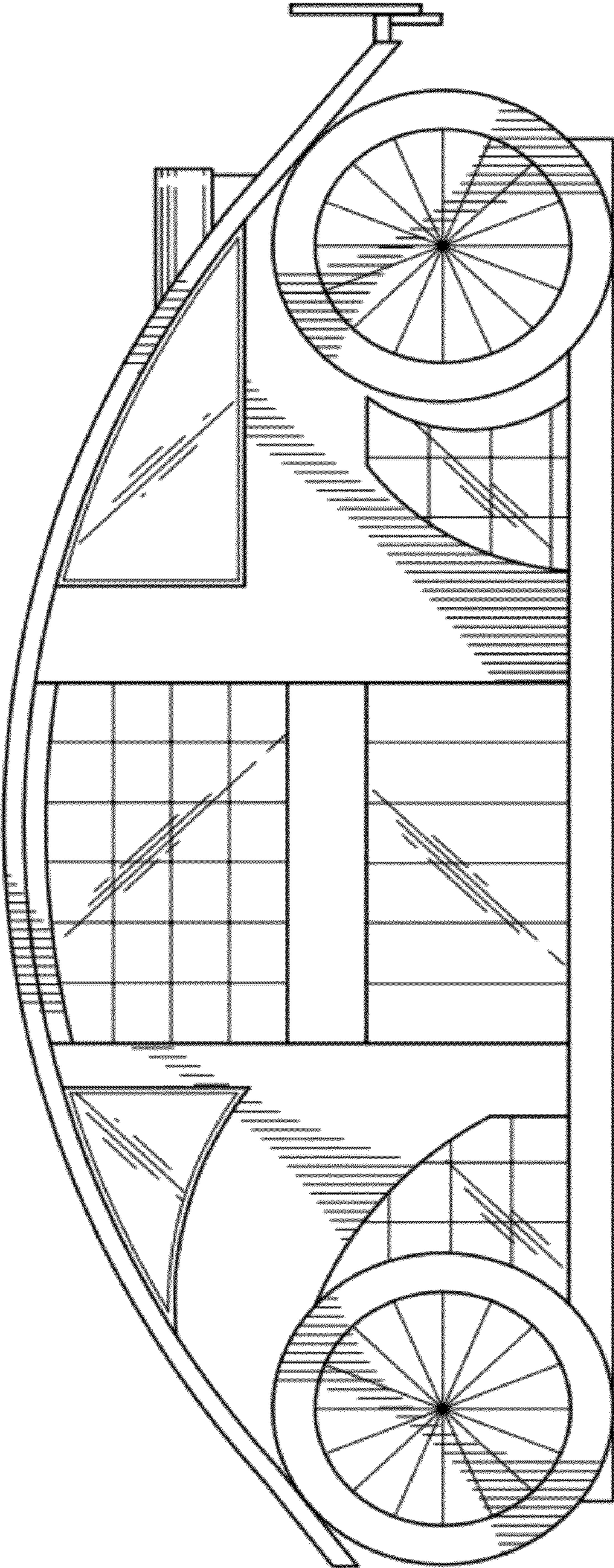


FIG. 3

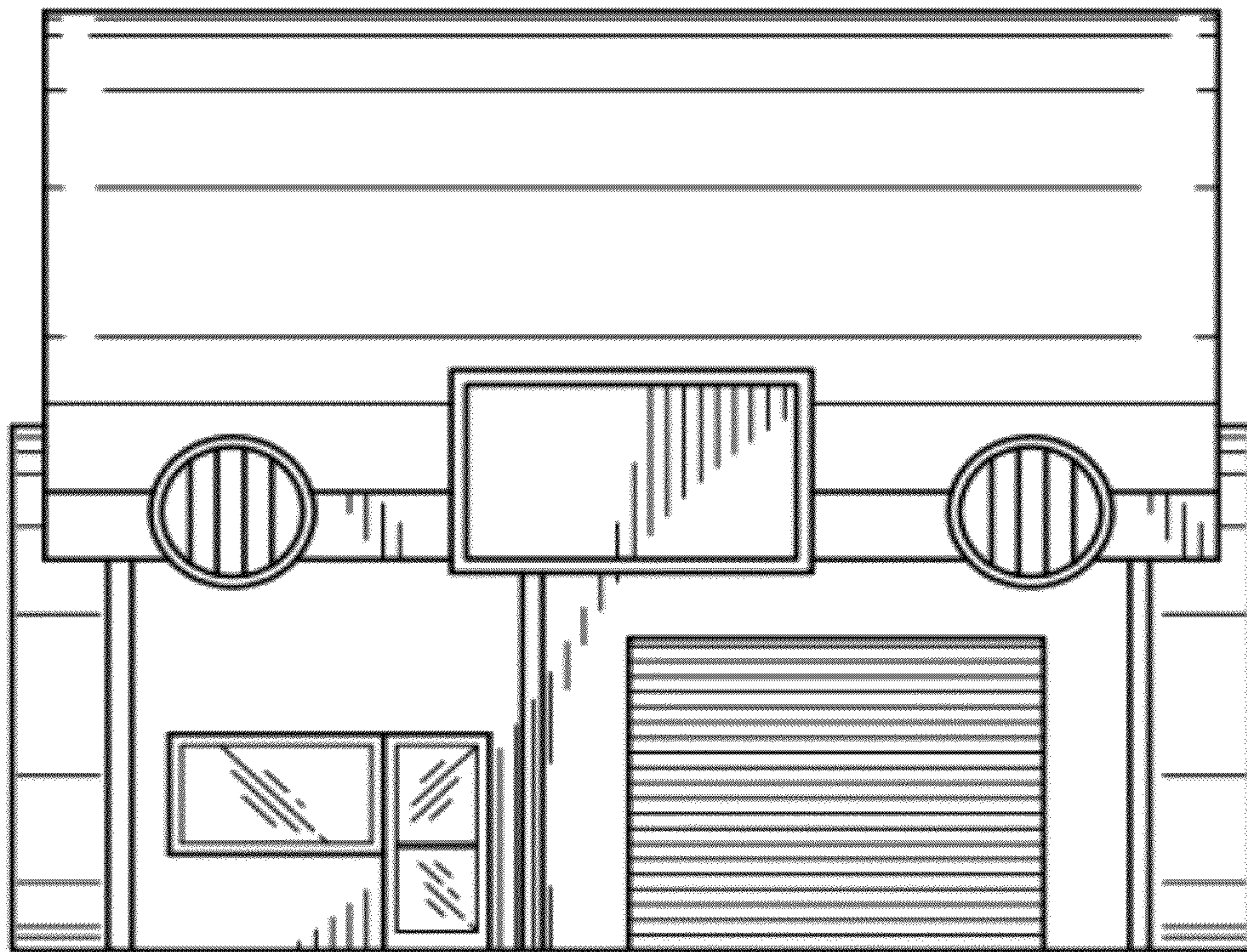


FIG. 4

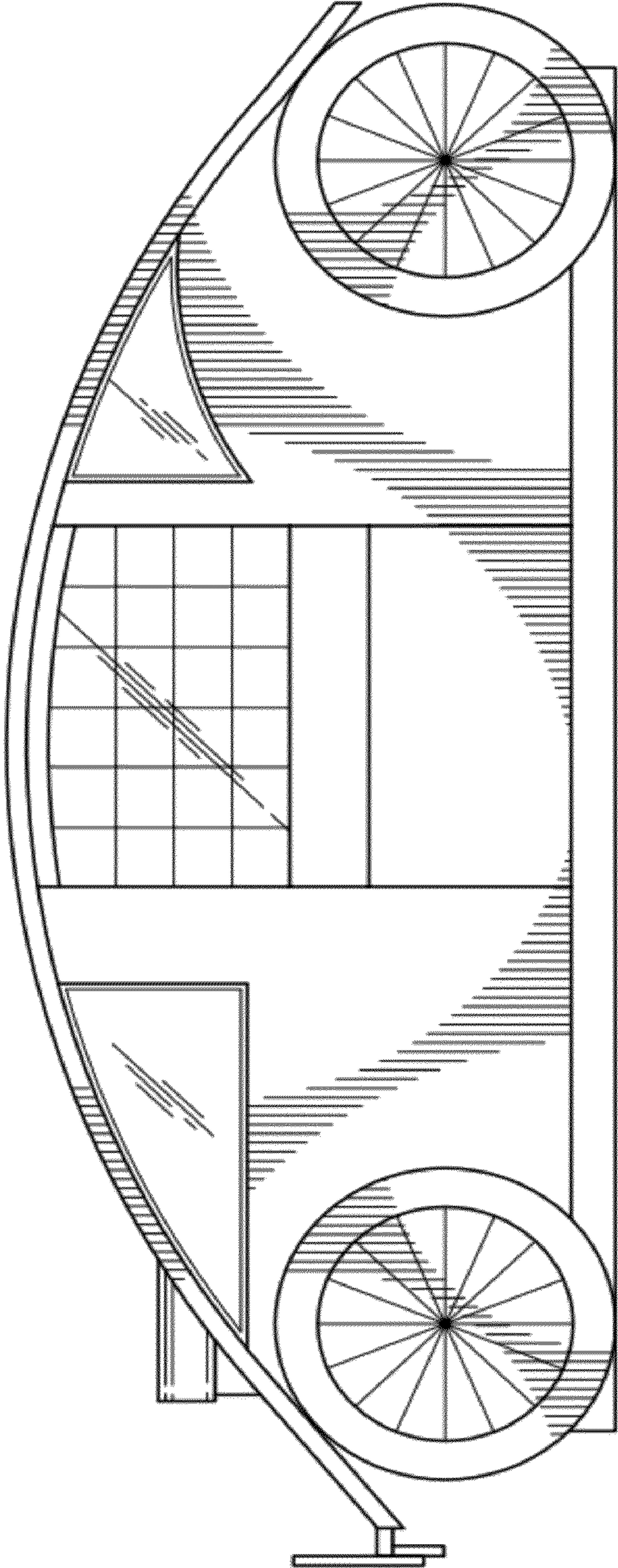


FIG. 5