



US00D663855S

(12) **United States Design Patent**
Zack et al.

(10) **Patent No.:** **US D663,855 S**
(45) **Date of Patent:** **** Jul. 17, 2012**

(54) **SAUNA EXTERIOR**

(75) Inventors: **Aaron Zack**, Overland Park, KS (US);
Doug Vandervalk, Overland Park, KS
(US); **Jasen Sappenfield**, Overland Park,
KS (US)

(73) Assignee: **Sunlighten, Inc.**, Overland Park, KS
(US)

(**) Term: **14 Years**

(21) Appl. No.: **29/356,445**

(22) Filed: **Feb. 25, 2010**

(51) **LOC (9) Cl.** **23-02**

(52) **U.S. Cl.** **D24/203**

(58) **Field of Classification Search** D24/201-205;
4/524, 526, 528, 531, 532

See application file for complete search history.

(56) **References Cited**

U.S. PATENT DOCUMENTS

232,731	A *	9/1880	Lee	4/524
3,422,465	A *	1/1969	Jones et al.	4/532
D257,490	S *	11/1980	Davis	D24/202
5,117,481	A *	5/1992	Sung	4/526
5,255,399	A *	10/1993	Park	4/524
D341,425	S *	11/1993	Lee	D24/203
D346,015	S *	4/1994	Maskell et al.	D24/203
5,511,254	A *	4/1996	O'Brien	4/532
D444,881	S *	7/2001	Jensen et al.	D24/203
D455,497	S *	4/2002	Jensen et al.	D24/203
7,458,111	B2 *	12/2008	Sappenfield et al.	4/524
D618,814	S *	6/2010	Ruhanen	D24/203
7,849,531	B2 *	12/2010	Rooke et al.	4/524

OTHER PUBLICATIONS

Sunlighten Empowering Wellness, Club Solutions, Introducing The First Biofeedback-Enabled Commercial Infrared Sauna, Nov. 20, 2009, 1 Page.

Samantha Rader, Sunlighten (Formerly Known As Sunlight Saunas) Launches New mPulse Series: The World's First Infrared Smart Sauna, Press Release, Jan. 4, 2010, 2 Pages.
Sunlighten Empowering Wellness, Want To Generate Tapas?, Introducing the mPulse Smart Sauna, Yoga Journal, Nov. 17, 2009, 1 page.
Sunlighten Empowering Wellness, Introducing The First Biofeedback-Enabled Infrared Sauna, Natural Health, Jan. 26, 2010, 1 page.
Sunlight Saunas, Sweat for Life, Then vs. Now, Introducing The mPulse Series From Sunlight Saunas, The World's First Biofeedback-Enabled Infrared Sauna With Clinically Proven Health Benefits, Aug. 4, 2009, 1 page.
Sunlighten Empowering Wellness, Enhance Member Experience And Your Bottom Line., Club Solutions, Apr. 5, 2010, 1 page.
Sunlighten Empowering Wellness, Introducing The First Biofeedback-Enabled Infrared Sauna, Alternative Therapies, Nov. 20, 2009, 1 page.
Sunlight Saunas, The mPulse Series From Sunlight Saunas, Apr. 24, 2009, 2 pages.

(Continued)

Primary Examiner — David Muller

(74) *Attorney, Agent, or Firm* — Shook, Hardy & Bacon L.L.P.

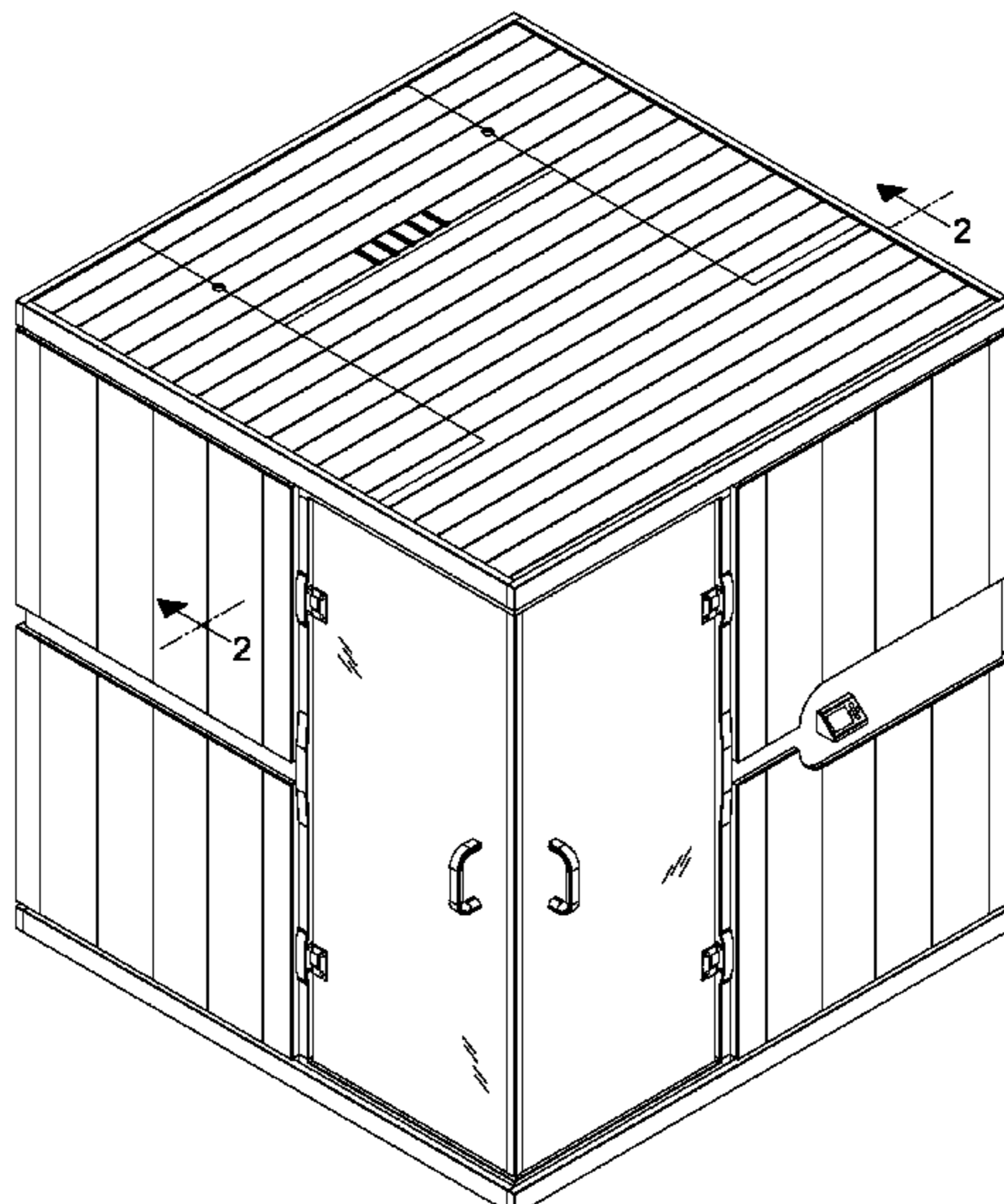
(57) **CLAIM**

The ornamental design for a sauna exterior, as shown and described.

DESCRIPTION

FIG. 1 is a top left side exterior perspective view of the sauna of the present invention;
FIG. 2 is a cut away left side interior perspective view thereof, taken from line 2-2 in FIG. 1;
FIG. 3 is a front exterior elevation view thereof;
FIG. 4 is a left side exterior elevation view thereof; and,
FIG. 5 is a bottom plan exterior view thereof.
The broken lines shown in the drawings are directed to environment, are for informational purposes only, and form no part of the claimed design.

1 Claim, 4 Drawing Sheets



OTHER PUBLICATIONS

Sunlight Empowering Wellness, The Most Advanced Sauna For Wellness, mPulse Series . . . Smart Infrared Technology for Your Practice, Alternative Therapies, Mar. 3, 2010, 1 page.

Sunlighten Empowering Wellness, Introducing the mPulse Smart Sauna, Natural Health, Nov. 18, 2009, 1 page.

The Robb Report Collection, A Buyer's Guide for Connoisseurs, Total Wellness, Oct. 2, 2009, 1 page.

Sunlighten Empowering Wellness, AddOns-Print, Mar. 1, 2010, 2 pages.

Sunlighten Empowering Wellness, Commercial-Trifold, Feb. 15, 2010, 2 pages.

Sunlighten Empowering Wellness, mPulse aSPIRE SpecSheet, Jan. 28, 2010, 1 page.

Sunlighten Empowering Wellness, mPulse bLIEVE SpecSheet, Jan. 28, 2010, 1 page.

Sunlighten Empowering Wellness, mPulse cONQUER SpecSheet, Jan. 28, 2010, 1 page.

Sunlighten Empowering Wellness, mPulse dISCOVER SpecSheet, Jan. 28, 2010, 1 page.

Sunlighten Empowering Wellness, mPulse eMPower, SpecSheet, Jan. 28, 2010, 1 page.

Sunlighten Empowering Wellness, mPulse Trifold, Dec. 29, 2009, 2 pages.

Sunlighten Empowering Wellness, Infrared Saunas vs. Traditional, Trifold Brochure, 2 pages.

Sunlighten Empowering Wellness, Sunlight Saunas Is Now, Brochure, Dec. 31, 2009, 40 pages.

Sunlighten Empowering Wellness, mPulse Sauna Website, May 26, 2010, <http://www.sunlighten.com/mpulse-infrared-saunas.html>.

* cited by examiner

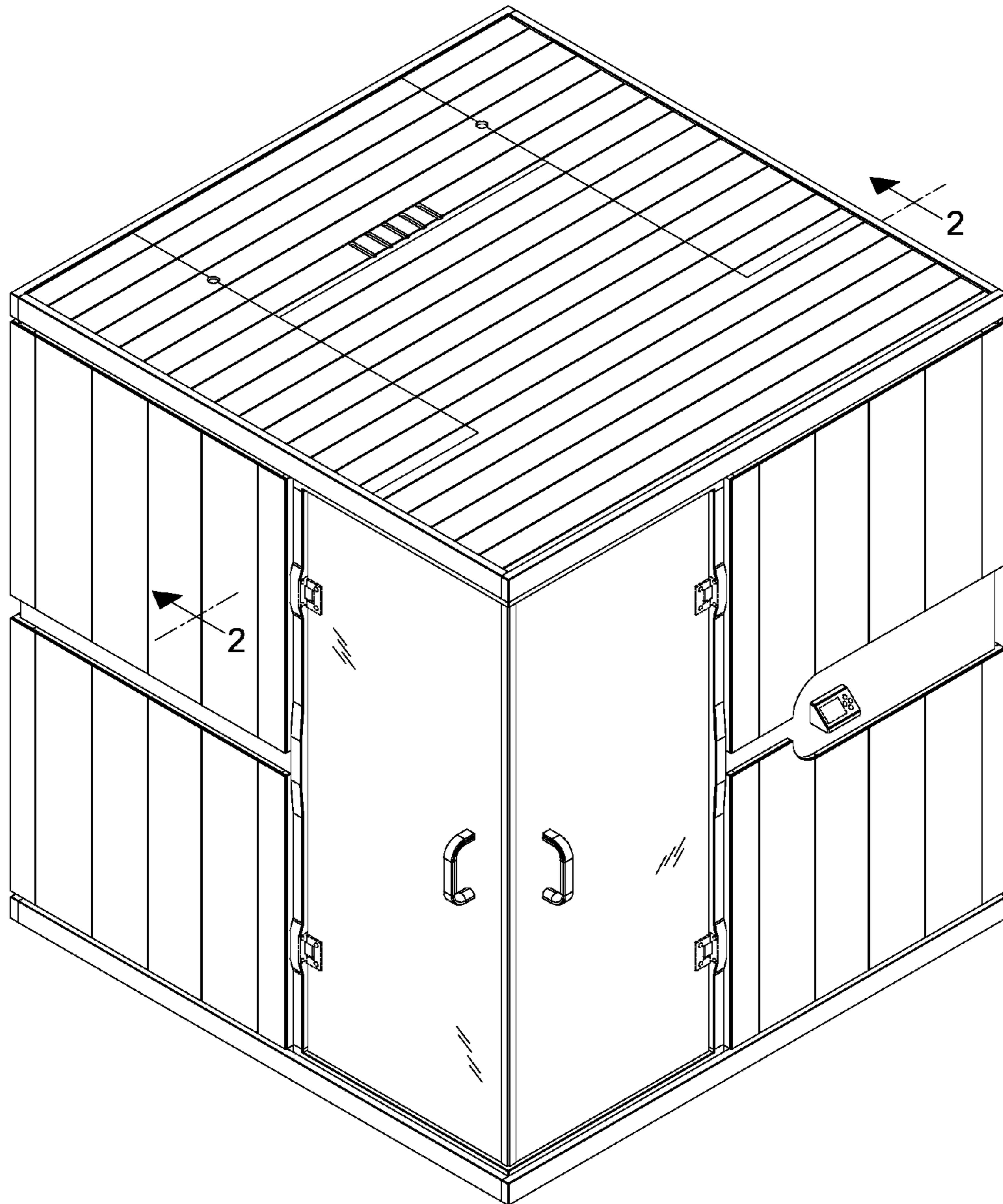


FIG. 1

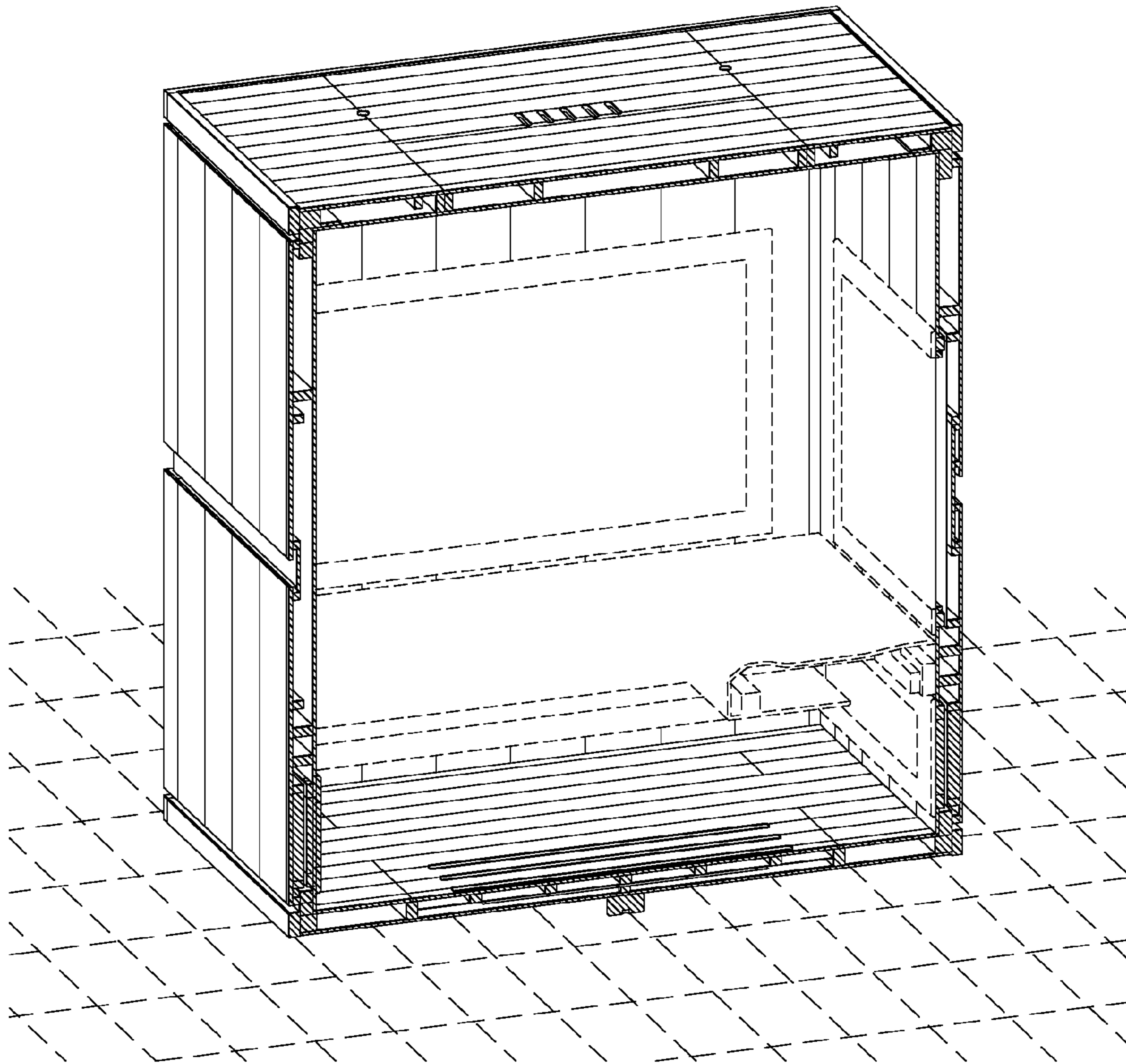


FIG. 2

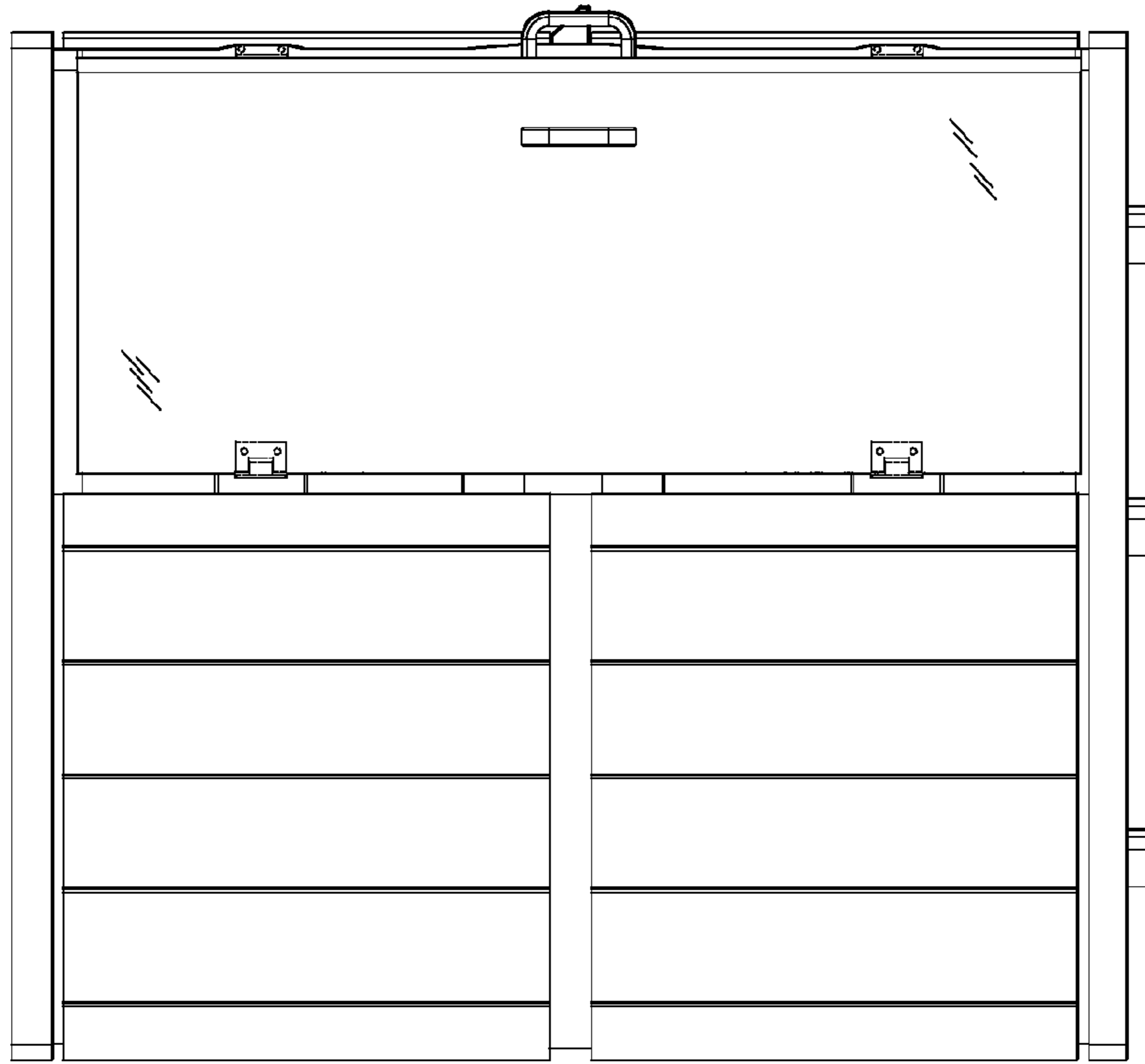


FIG. 4

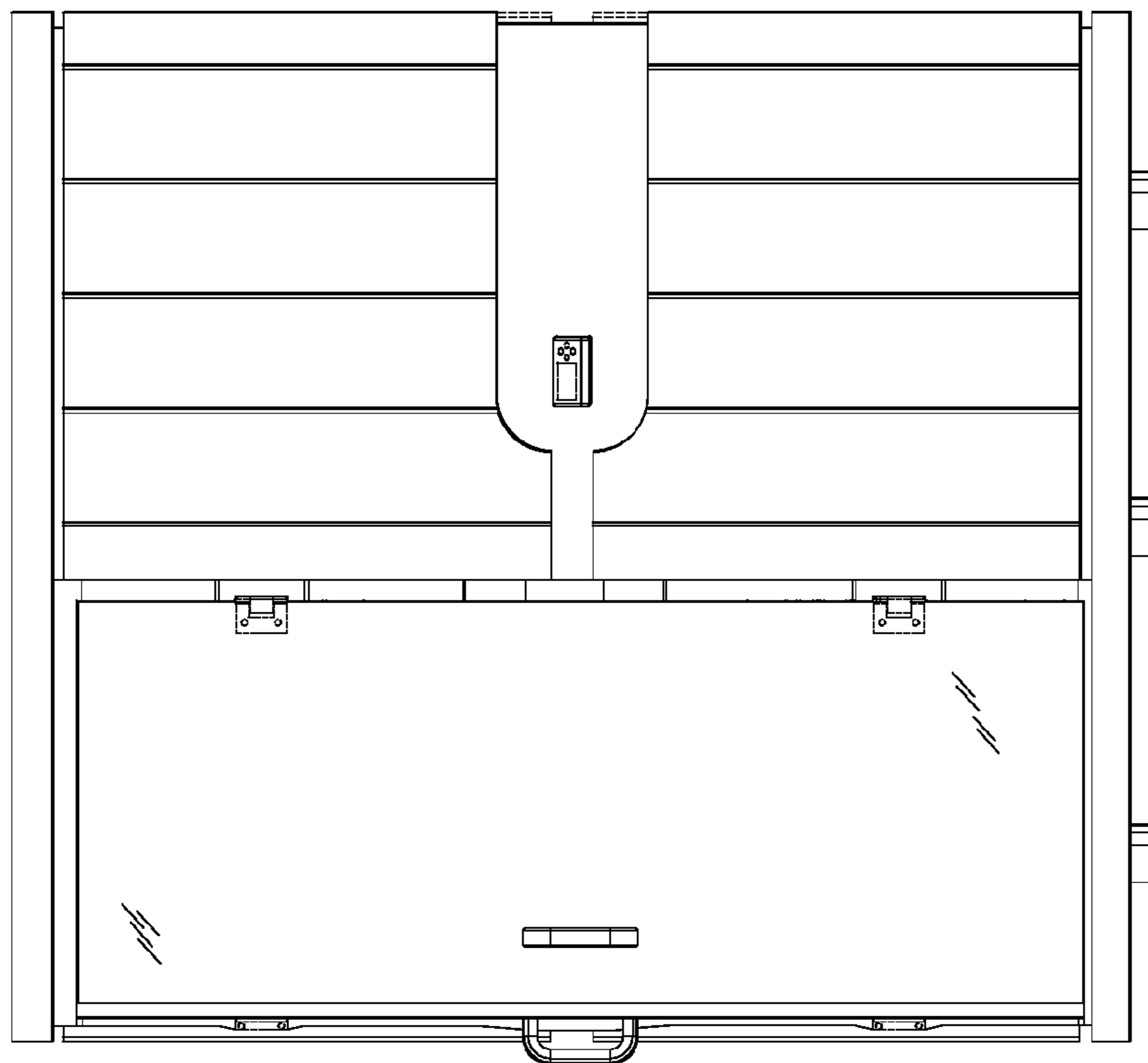


FIG. 3

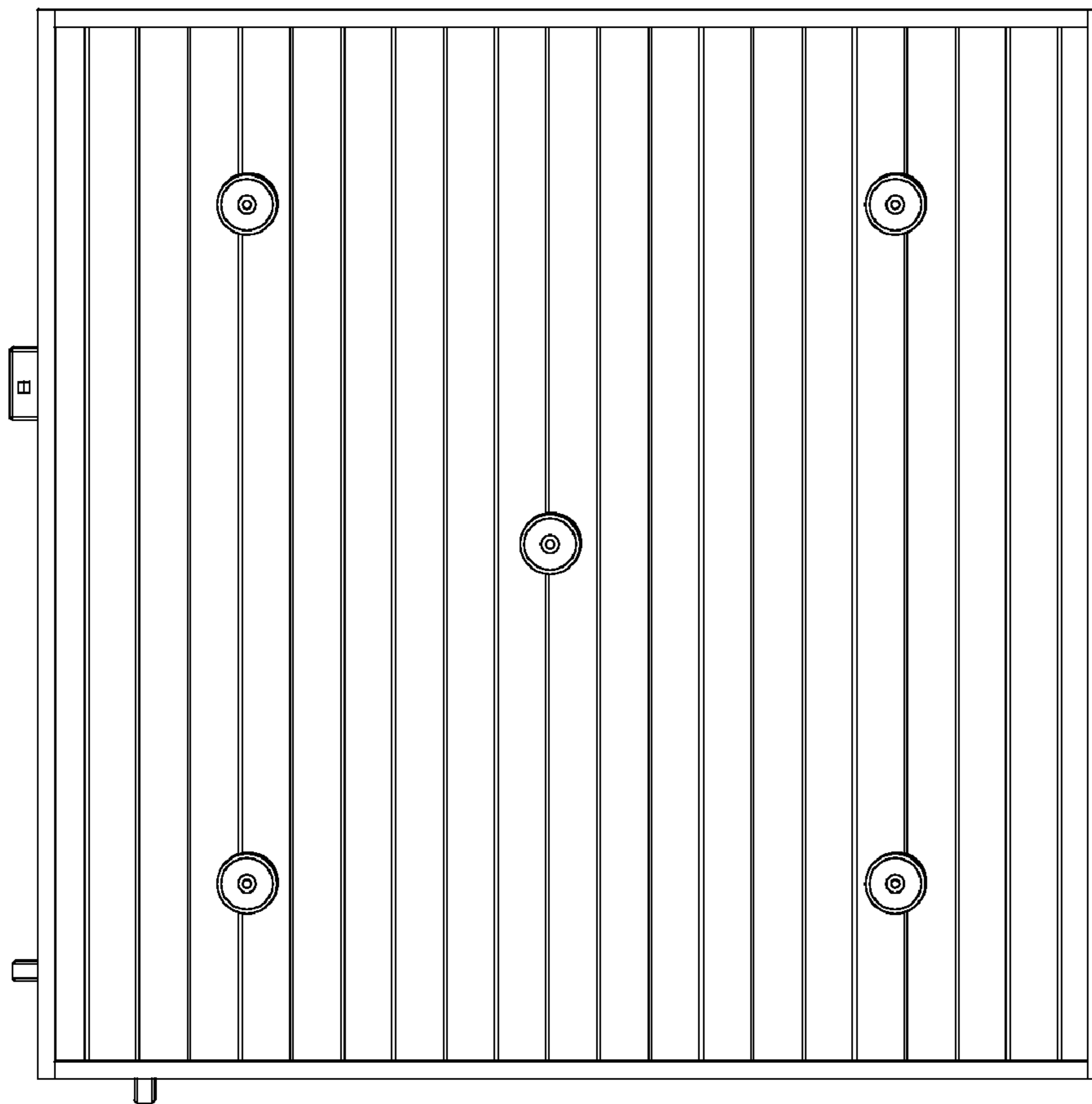


FIG. 5