



US00D663852S

(12) **United States Design Patent**
Joseph

(10) **Patent No.:** **US D663,852 S**
(45) **Date of Patent:** **** Jul. 17, 2012**

(54) **ANKLE BRACE**

(75) Inventor: **Mark Joseph**, Aspen, CO (US)

(73) Assignee: **Exos Corporation**, Arden Hills, MN (US)

(**) Term: **14 Years**

(21) Appl. No.: **29/408,211**

(22) Filed: **Dec. 8, 2011**

(51) **LOC (9) Cl.** **24-01**

(52) **U.S. Cl.** **D24/192**

(58) **Field of Classification Search** D24/190,
D24/192; D29/120.1, 121.2; 602/2, 5, 6,
602/16, 20, 23, 26–28, 60–66; 2/16, 22,
2/24; D2/911, 980, 984–986, 989; 601/27,
601/33, 34; 36/50.1, 50.5, 54

See application file for complete search history.

(56) **References Cited**

U.S. PATENT DOCUMENTS

D270,284	S	*	8/1983	Lindh et al.	D24/192
4,510,927	A	*	4/1985	Peters	602/27
5,031,607	A	*	7/1991	Peters	602/27
D326,719	S	*	6/1992	Egham	D24/192
5,366,439	A	*	11/1994	Peters	602/27
5,865,778	A	*	2/1999	Johnson	602/27
5,902,259	A	*	5/1999	Wilkerson	602/27
5,934,599	A		8/1999	Hammerslag		
5,951,504	A	*	9/1999	Iglesias et al.	602/27
5,971,946	A	*	10/1999	Quinn et al.	602/27
6,053,884	A	*	4/2000	Peters	602/27
6,056,671	A		5/2000	Marmer		
D436,177	S	*	1/2001	Miller	D24/192
6,202,953	B1		3/2001	Hammerslag		
6,289,558	B1		9/2001	Hammerslag		
6,779,282	B2	*	8/2004	Grohninger	36/89
D550,370	S	*	9/2007	Peters et al.	D24/192
D552,743	S	*	10/2007	Verkade et al.	D24/192
D552,744	S	*	10/2007	Verkade et al.	D24/192

7,591,050	B2		9/2009	Hammerslag		
D635,269	S	*	3/2011	Franke et al.	D24/192
D635,270	S	*	3/2011	Chiang	D24/192
D649,650	S	*	11/2011	Wehsely-Swiczinsky	...	D24/192
2002/0095750	A1		7/2002	Hammerslag		
2003/0204938	A1		11/2003	Hammerslag		
2006/0156517	A1		7/2006	Hammerslag et al.		
2008/0060167	A1		3/2008	Hammerslag et al.		
2008/0060168	A1		3/2008	Hammerslag et al.		
2008/0066272	A1		3/2008	Hammerslag et al.		
2008/0066345	A1		3/2008	Hammerslag et al.		
2008/0066346	A1		3/2008	Hammerslag et al.		
2008/0083135	A1		4/2008	Hammerslag et al.		
2010/0299959	A1		12/2010	Hammerslag et al.		

* cited by examiner

Primary Examiner — Susan E Krakower

(74) *Attorney, Agent, or Firm* — Patterson Thunte Christensen Pedersen, P.A.

(57) **CLAIM**

I claim the ornamental design for ankle brace, as shown and described.

DESCRIPTION

FIG. 1 is a perspective view of an ankle brace according to the invention;

FIG. 2 is a side perspective view of the ankle brace depicted in FIG. 1, the view from the opposite side being a mirror image thereof.

FIG. 3 is a front perspective view of the ankle brace depicted in FIG. 1; and,

FIG. 4 is a rear perspective view of the ankle brace depicted in FIG. 1.

It is understood that the dashed lines on the surface of the ankle brace indicate stitch lines which form part of the claimed design. The short broken lines showing the circular elements illustrate portions of the ankle brace which form no part of the claimed design.

1 Claim, 4 Drawing Sheets

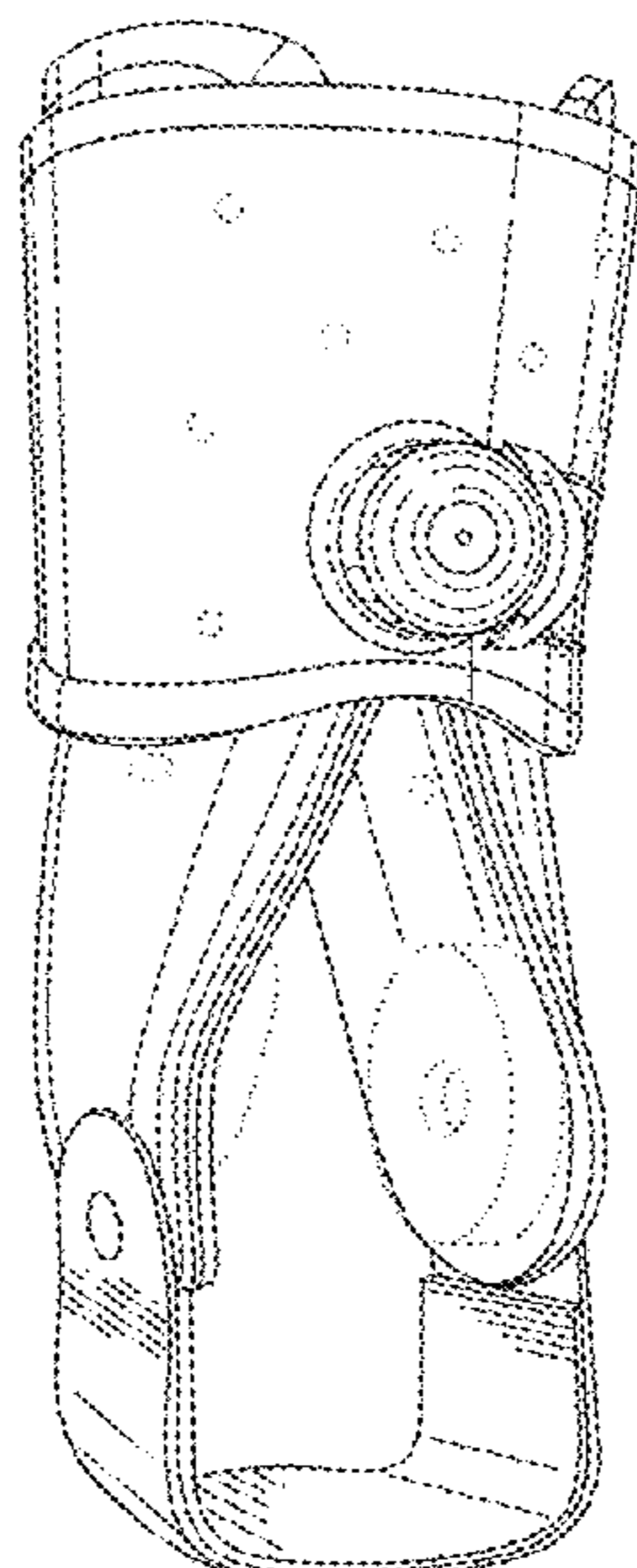


Fig. 1

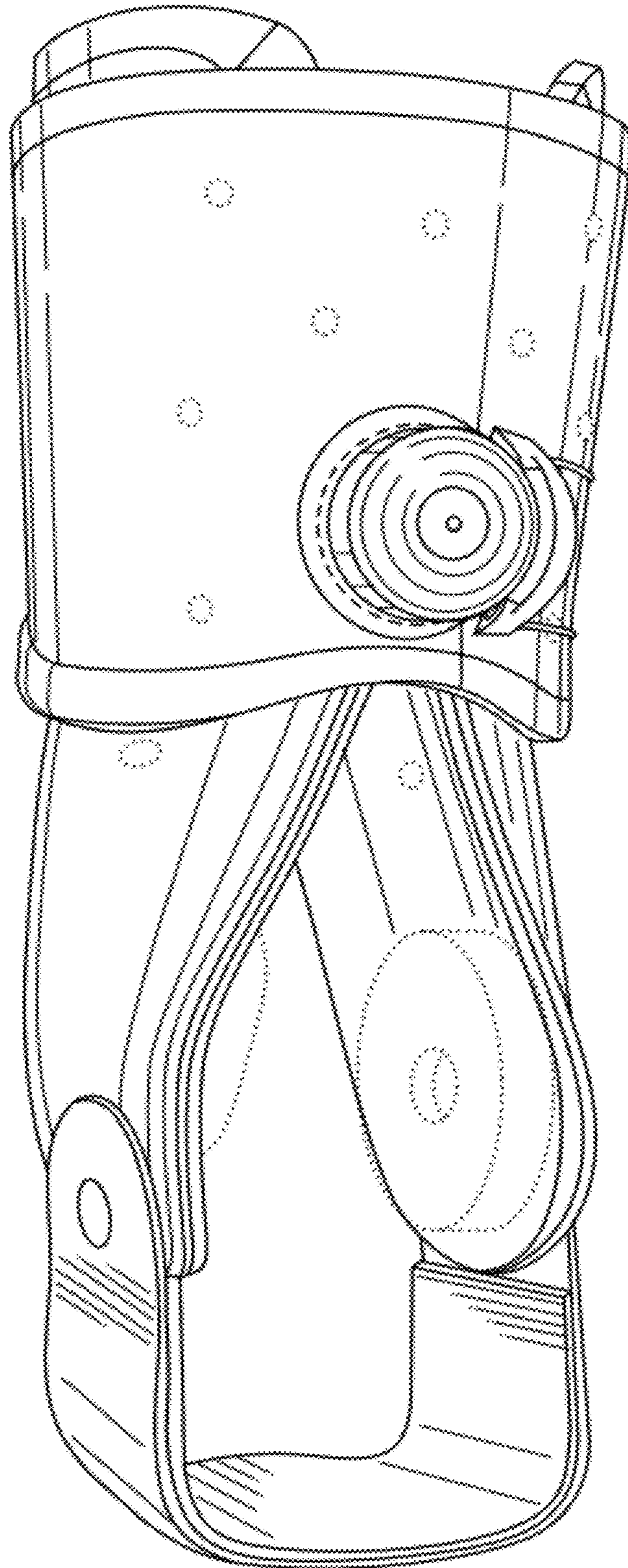


Fig. 2

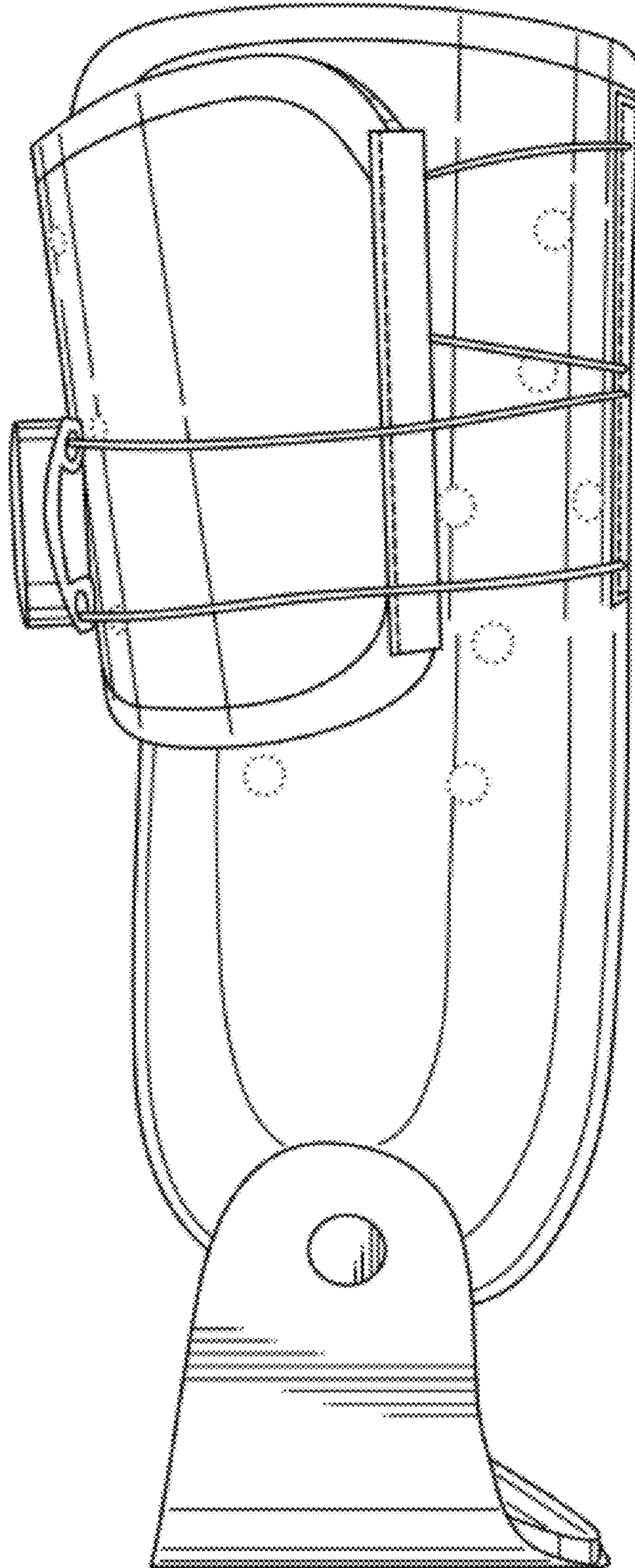


Fig. 3

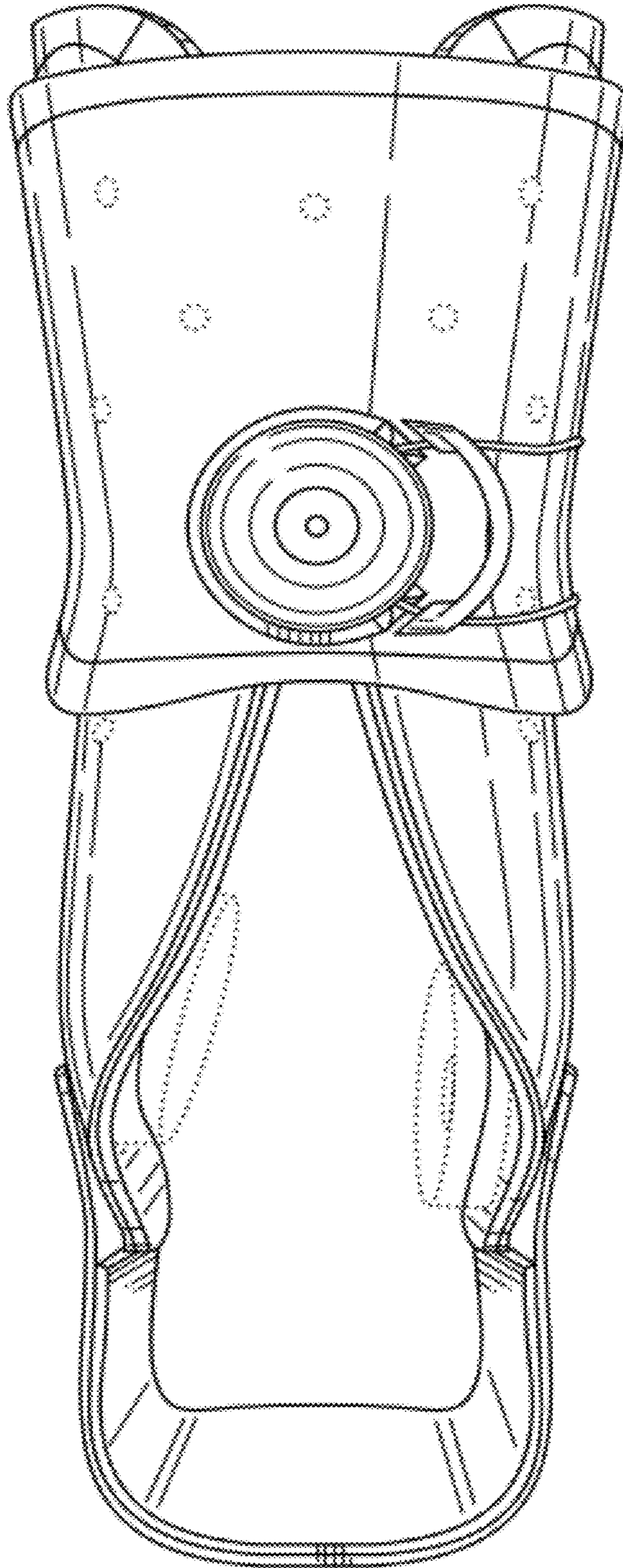


Fig. 4

