



US00D663850S

(12) **United States Design Patent**  
**Joseph**

(10) **Patent No.:** **US D663,850 S**  
(45) **Date of Patent:** **\*\* Jul. 17, 2012**

- (54) **LONG THUMB SPICA BRACE**
- (75) Inventor: **Mark Joseph**, Aspen, CO (US)
- (73) Assignee: **Exos Corporation**, Arden Mills, MI (US)
- (\*\*) Term: **14 Years**
- (21) Appl. No.: **29/368,155**
- (22) Filed: **Aug. 18, 2010**
- (51) **LOC (9) Cl.** ..... **24-01**
- (52) **U.S. Cl.** ..... **D24/190**
- (58) **Field of Classification Search** ..... D24/189-190; 602/3-7, 13, 16, 20-22, 60, 64-65; D29/120.1, D29/121.1, 113; 128/877, 878, 879, 881, 128/882, 892, DIG. 19; 473/59, 62, 213; 2/16, 20, 59, 159, 161.1  
See application file for complete search history.

- 4,006,741 A 2/1977 Arluck
- 4,019,505 A 4/1977 Wartman
- 4,136,686 A 1/1979 Arluck
- 4,169,469 A 10/1979 Arluck
- 4,193,395 A 3/1980 Gruber
- 4,235,228 A 11/1980 Gaylord
- 4,240,415 A 12/1980 Wartman

(Continued)

**FOREIGN PATENT DOCUMENTS**

- EP 0401883 A1 12/1990  
(Continued)

**OTHER PUBLICATIONS**

Application and File History for U.S. Appl. No. 29/368,156, filed Aug. 18, 2010. Inventor: Joseph.

(Continued)

*Primary Examiner* — Susan E Krakower

(74) *Attorney, Agent, or Firm* — Patterson Thunte Christensen Pedersen, P.A.

(56) **References Cited**

**U.S. PATENT DOCUMENTS**

- 57,283 A 8/1866 Brown
- 482,647 A \* 9/1892 Obear ..... 2/158
- 975,734 A 11/1910 Tebeau
- 1,082,542 A 12/1913 Manson
- 1,360,840 A \* 11/1920 White ..... 2/16
- 1,471,948 A \* 10/1923 Cox et al. .... 602/22
- 1,583,606 A 5/1926 Roussel
- 2,070,810 A 2/1937 Saling
- 2,181,689 A 11/1939 Bell
- 2,206,404 A \* 7/1940 Jones ..... 602/21
- 2,554,337 A 5/1951 Lampert
- 2,736,314 A 2/1956 Hale
- 2,759,475 A 8/1956 Swaay
- 3,320,950 A 5/1967 McElvenny
- 3,420,231 A 1/1969 Edenbaum
- 3,490,444 A 1/1970 Larson
- 3,692,023 A 9/1972 Phillips et al.
- 3,896,843 A 7/1975 Millar et al.
- 3,906,943 A 9/1975 Arluck

(57) **CLAIM**

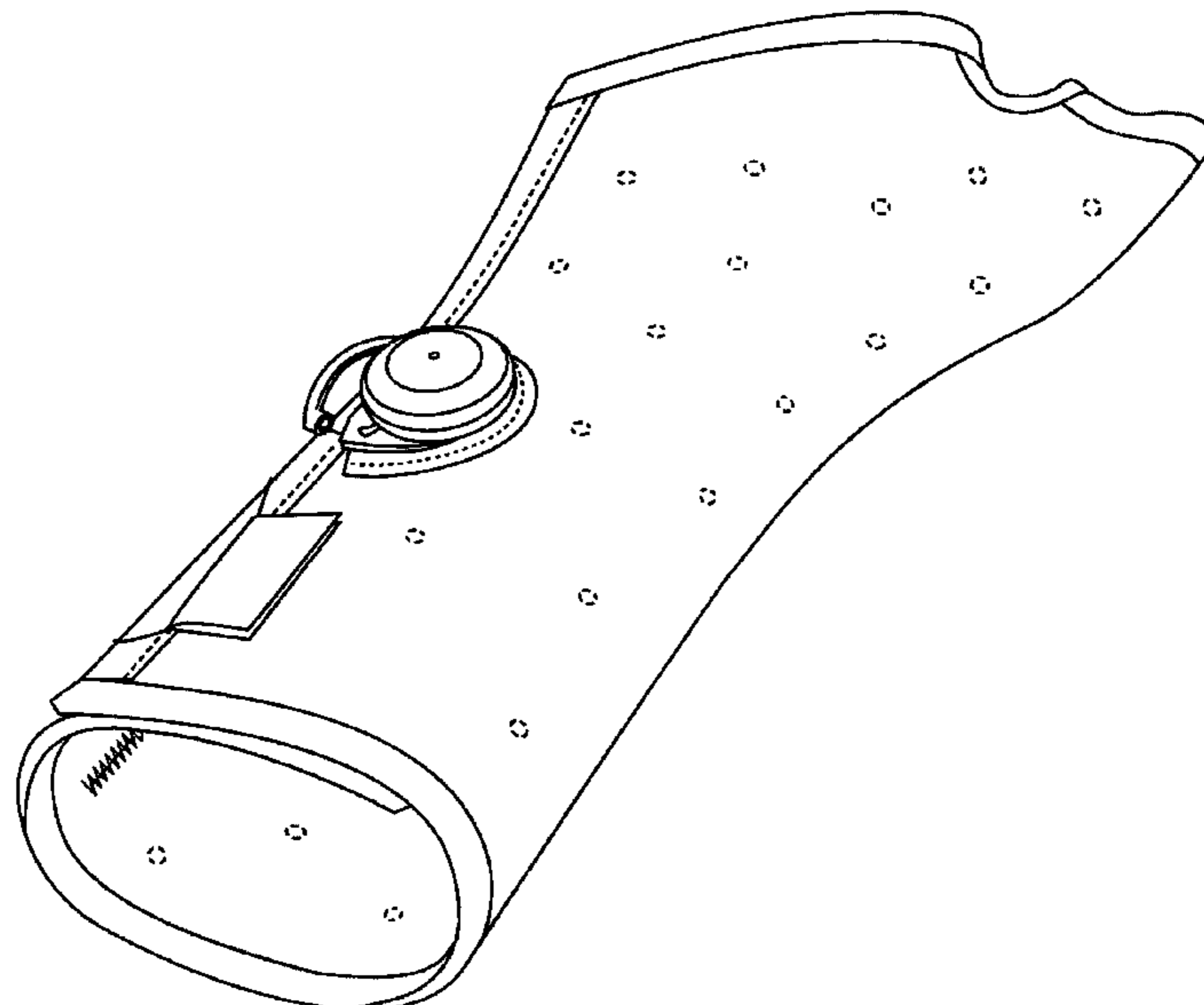
The ornamental design for a long thumb spica brace, as shown and described.

**DESCRIPTION**

FIG. 1 is a front perspective view of a long thumb spica brace of the present invention; FIG. 2 is a front perspective view from the opposing angle; FIG. 3 is a side perspective view; and, FIG. 4 is a rear perspective view.

It is understood that the broken lines on the surface of the claimed design indicates stitch lines which form part of the claimed design, while the circular elements and the zigzag element on the surface of the claimed design indicated with broken lines form no part of the claimed design.

**1 Claim, 4 Drawing Sheets**



# US D663,850 S

U.S. PATENT DOCUMENTS							
D259,955	S	7/1981	Helferich	7,056,298	B1 *	6/2006	Weber ..... 602/22
4,286,586	A	9/1981	Potts	7,182,741	B2	2/2007	Porrata et al.
4,316,457	A	2/1982	Liegeois	7,204,817	B1	4/2007	Toronto et al.
D266,288	S	9/1982	Coon	D558,883	S	1/2008	Ortiz
4,427,002	A	1/1984	Baron et al.	D565,189	S	3/2008	Gramza et al.
4,442,834	A	4/1984	Tucker et al.	7,399,288	B2	7/2008	Chao
4,454,873	A	6/1984	Laufenberg et al.	D580,064	S	11/2008	Lin et al.
4,471,993	A	9/1984	Watson	D580,555	S	11/2008	Lin et al.
4,473,671	A	9/1984	Green	7,470,243	B2	12/2008	Garth
4,483,333	A	11/1984	Wartman	D584,822	S	1/2009	Weber
4,531,241	A	7/1985	Berger	7,591,050	B2	9/2009	Hammerslag
4,572,167	A	2/1986	Brunswick	7,597,671	B2	10/2009	Baumgartner et al.
4,584,993	A	4/1986	Nelson	7,645,250	B2 *	1/2010	Koby et al. .... 602/21
4,600,618	A	7/1986	Raychok, Jr. et al.	D617,464	S *	6/2010	Weaver et al. .... D24/190
D287,640	S	1/1987	Primiano	7,727,172	B2	6/2010	Wang
4,661,535	A	4/1987	Boroff	D626,242	S	10/2010	Sagnip et al.
4,765,319	A	8/1988	Finnieston et al.	7,854,714	B1	12/2010	Weber et al.
4,770,299	A	9/1988	Parker	D632,401	S	2/2011	Stevens
4,784,123	A	11/1988	Robeson	7,955,287	B2 *	6/2011	Frangi ..... 602/22
4,912,174	A	3/1990	Grouiller	2002/0095750	A1	7/2002	Hammerslag
RE34,714	E	8/1994	Burns et al.	2002/0161114	A1	10/2002	Gunatillake et al.
5,364,693	A	11/1994	Moren et al.	2003/0178404	A1	9/2003	Dimartino et al.
D357,745	S	4/1995	Radwell	2003/0204938	A1	11/2003	Hammerslag
5,415,622	A	5/1995	Kelley	2004/0024337	A1	2/2004	Tseng et al.
5,520,529	A	5/1996	Heckel	2005/0043664	A1	2/2005	Reaux
D373,639	S	9/1996	McKie	2005/00273030	A1 *	12/2005	Koby et al. .... 602/60
5,624,386	A	4/1997	Taylor et al.	2005/0281999	A1	12/2005	Hofmann et al.
5,752,926	A	5/1998	Larson et al.	2006/0051402	A1	3/2006	Bogardus et al.
5,769,804	A	6/1998	Harris et al.	2006/0129075	A1	6/2006	Scheinberg et al.
5,807,291	A	9/1998	Larson et al.	2006/0155226	A1 *	7/2006	Grim et al. .... 602/6
5,830,167	A	11/1998	Jung	2006/0156517	A1	7/2006	Hammerslag et al.
D405,180	S *	2/1999	Reina ..... D24/190	2007/0004993	A1	1/2007	Coppens et al.
5,882,322	A	3/1999	Kim et al.	2007/0077393	A1	4/2007	Chiang et al.
5,934,599	A	8/1999	Hammerslag	2008/0060167	A1	3/2008	Hammerslag et al.
5,982,285	A	11/1999	Bueche et al.	2008/0060168	A1	3/2008	Hammerslag et al.
6,042,557	A	3/2000	Ferguson et al.	2008/0066272	A1	3/2008	Hammerslag et al.
6,056,713	A	5/2000	Hayashi	2008/0066345	A1	3/2008	Hammerslag et al.
6,093,161	A	7/2000	Vlaeyen et al.	2008/0066346	A1	3/2008	Hammerslag et al.
6,110,134	A	8/2000	Clark, Jr. et al.	2008/0082033	A1	4/2008	Ortiz
6,186,966	B1	2/2001	Grim et al.	2008/0083135	A1	4/2008	Hammerslag et al.
6,202,953	B1	3/2001	Hammerslag	2008/0262400	A1	10/2008	Clark et al.
6,289,558	B1	9/2001	Hammerslag	2008/0319362	A1	12/2008	Joseph
6,322,529	B1	11/2001	Chung	2009/0204047	A1 *	8/2009	MacArthur ..... 602/36
6,325,772	B1	12/2001	Scheuermann et al.	2010/0299959	A1	12/2010	Hammerslag et al.
6,358,220	B1	3/2002	Langen et al.	2011/0130694	A1	6/2011	Livolsi et al.
D463,565	S *	9/2002	Slautterback ..... D24/190	FOREIGN PATENT DOCUMENTS			
6,520,925	B1	2/2003	Thibodo, Jr.	EP	0625342	A1	11/1994
D473,653	S	4/2003	Weaver, II et al.	WO	WO 2007035875	A1	3/2007
D477,088	S	7/2003	Brown et al.	OTHER PUBLICATIONS			
D477,409	S	7/2003	Mills et al.	Application and File History for U.S. Appl. No. 29/368,157, filed Aug. 18, 2010. Inventor: Joseph.			
6,663,581	B1	12/2003	Calabrese	Application and File History for U.S. Appl. No. 29/368,158, filed Aug. 18, 2010. Inventor: Joseph.			
D496,465	S	9/2004	Weaver, II				
6,843,190	B1	1/2005	LaPierre-McAfee				
6,893,410	B1	5/2005	Hely				
6,960,176	B1	11/2005	Hely et al.				
7,001,348	B2	2/2006	Garth et al.				

\* cited by examiner

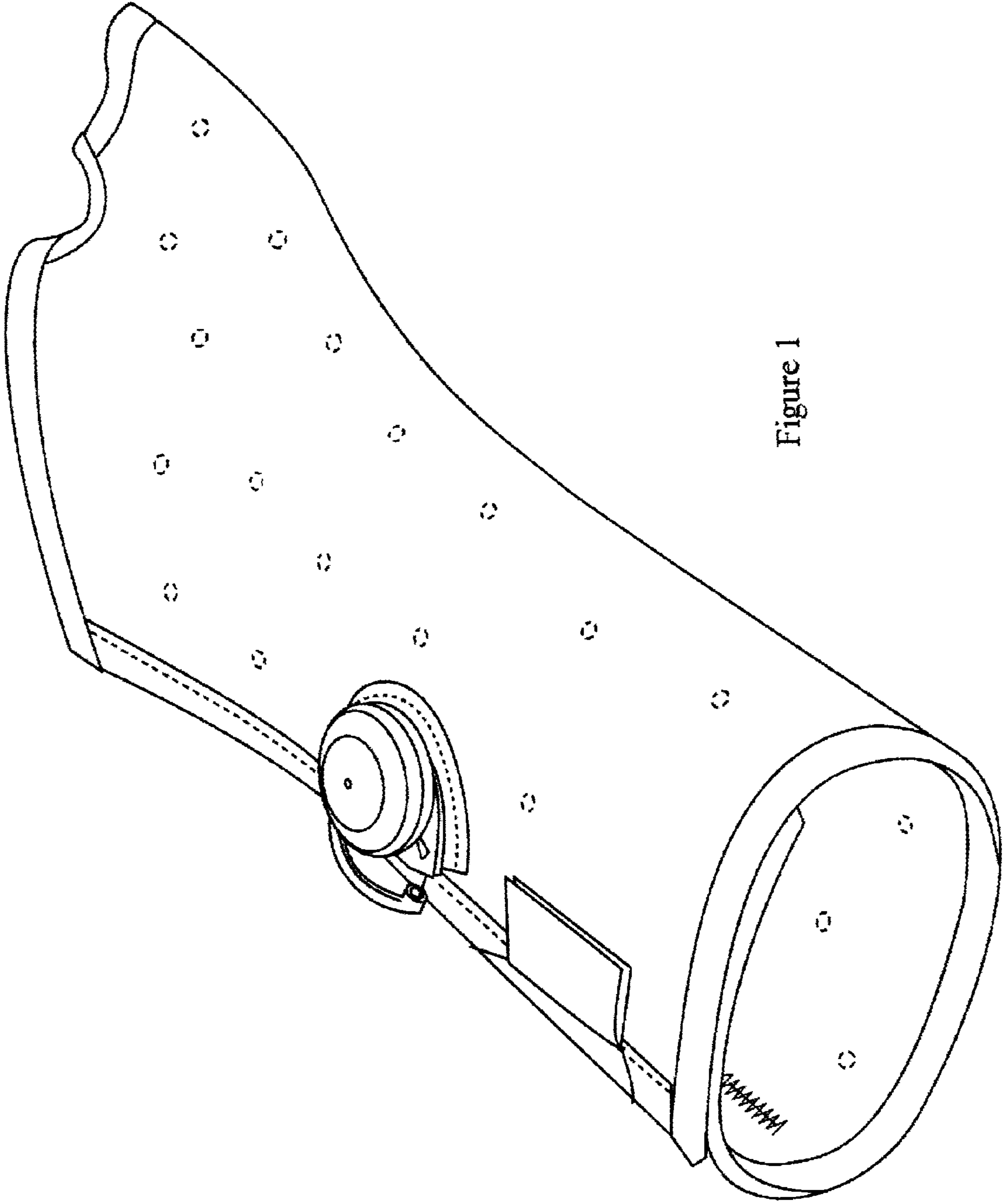


Figure 1

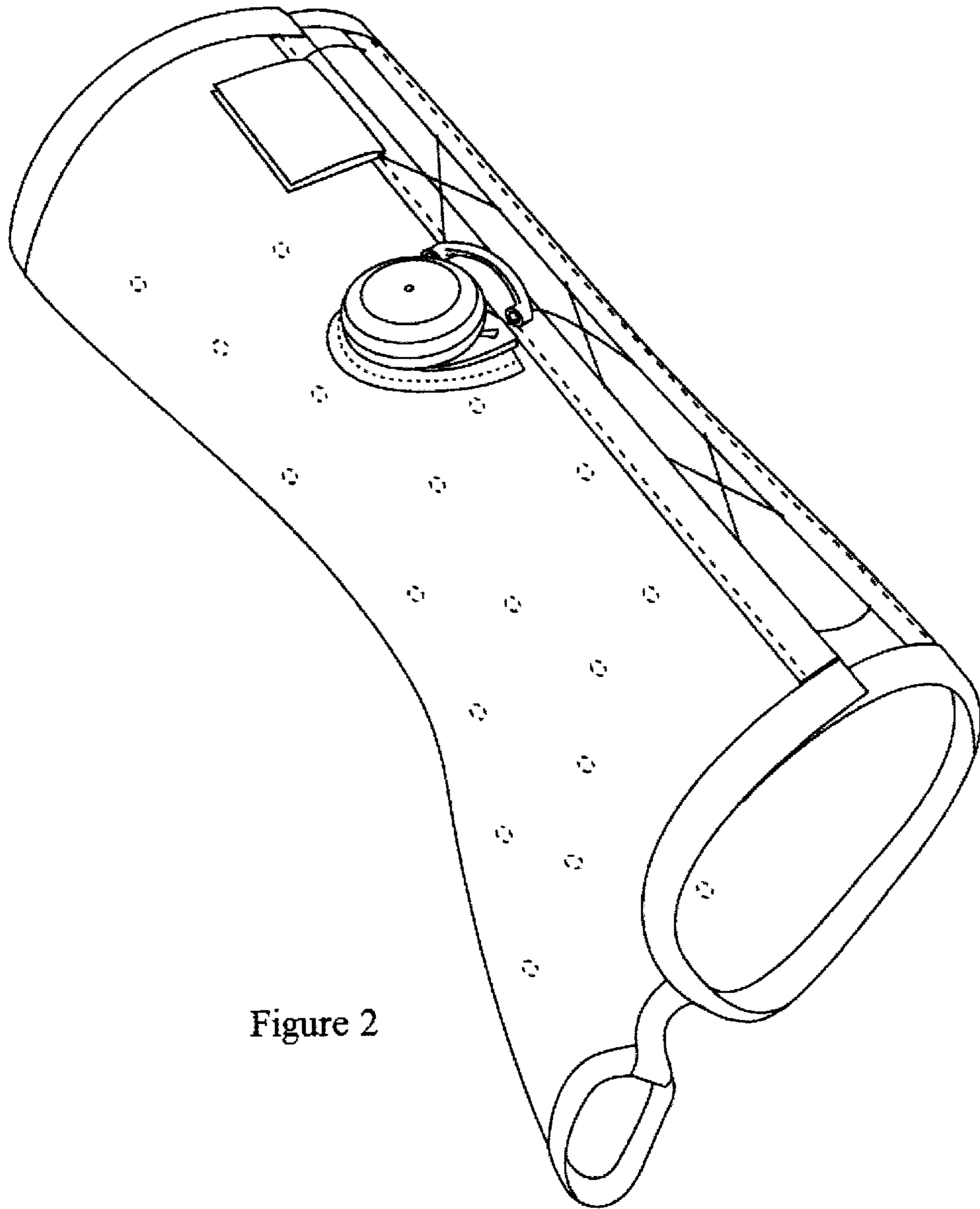


Figure 2

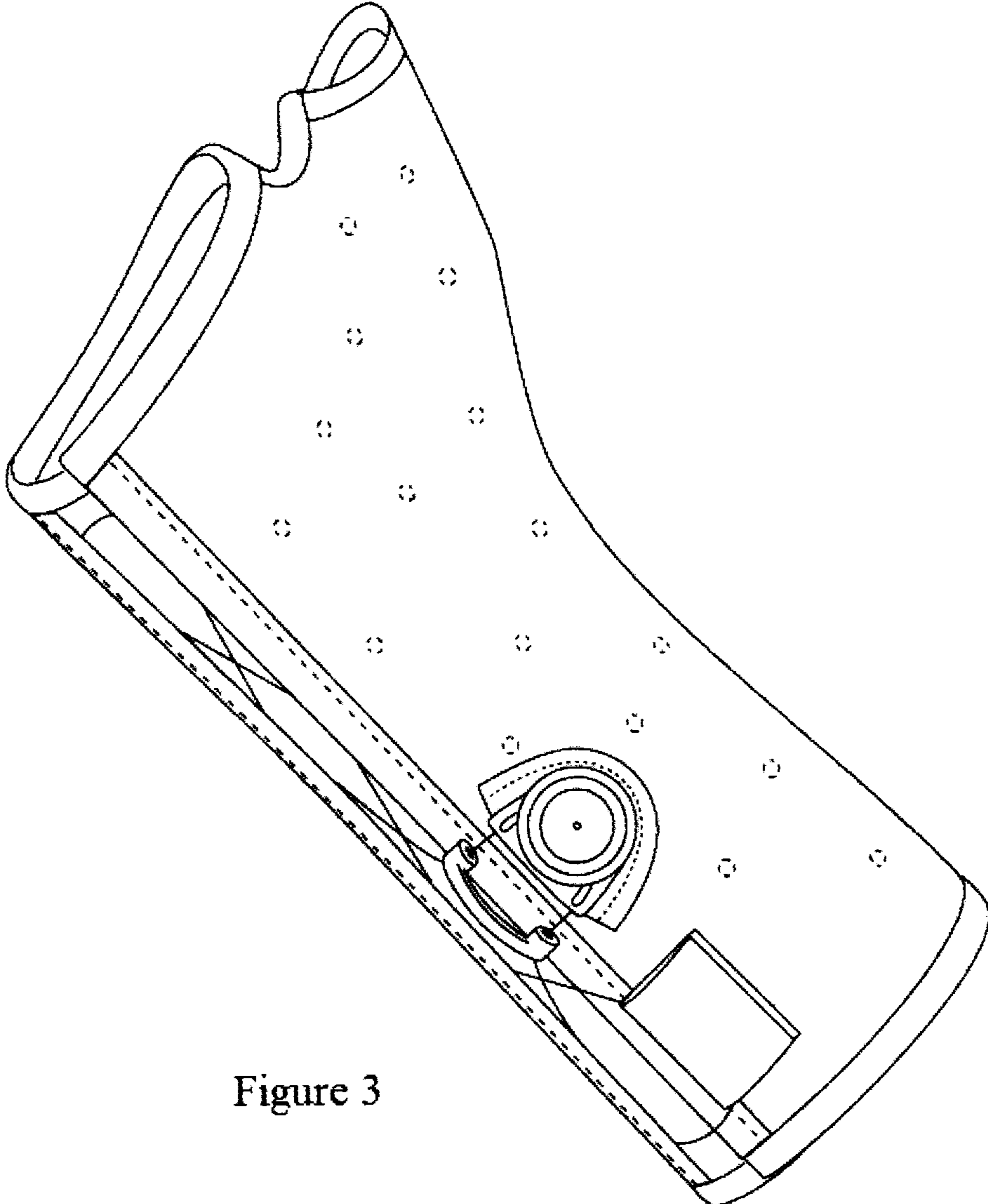


Figure 3

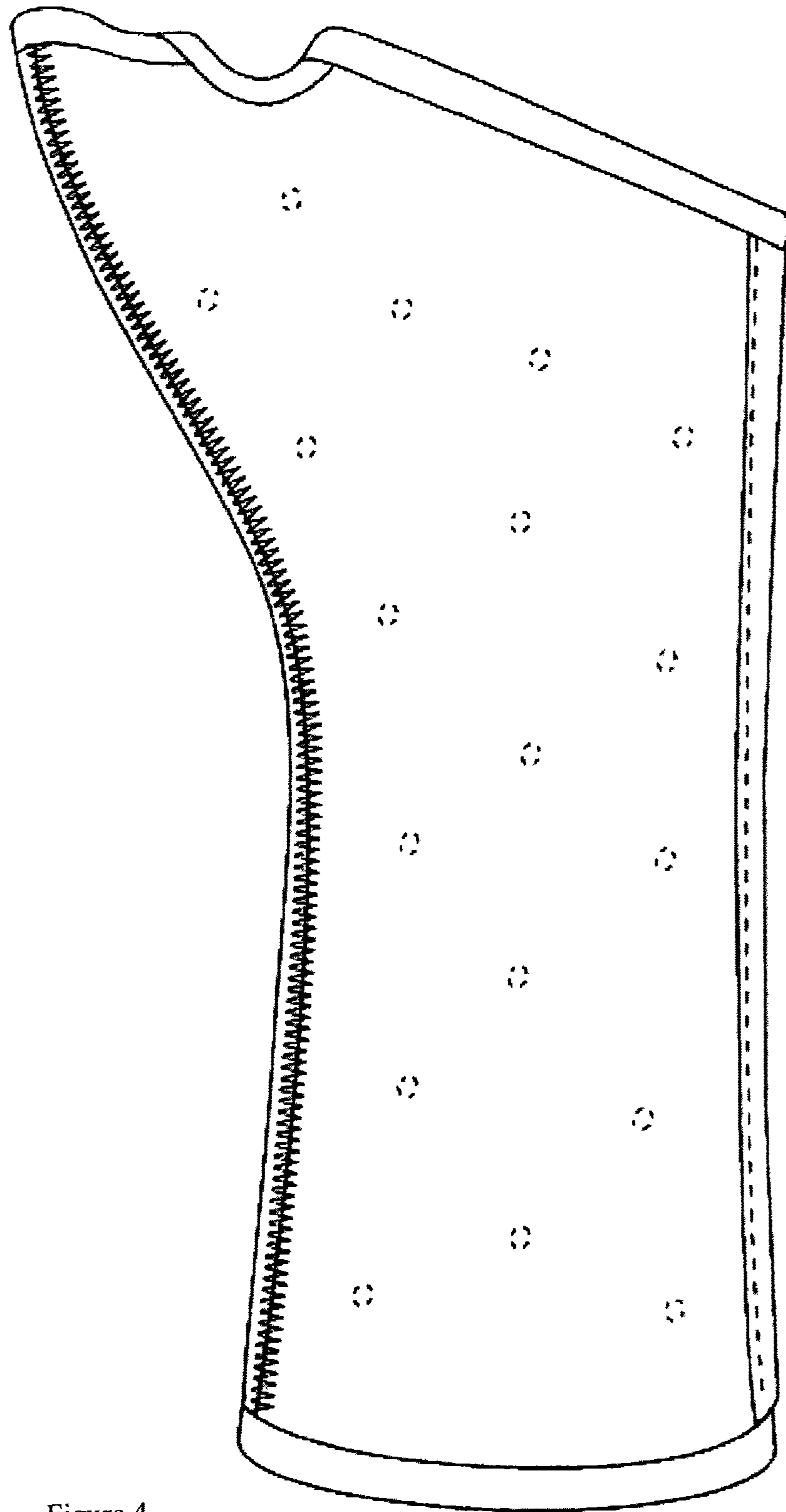


Figure 4

UNITED STATES PATENT AND TRADEMARK OFFICE  
**CERTIFICATE OF CORRECTION**

PATENT NO. : D663,850 S  
APPLICATION NO. : 29/368155  
DATED : July 17, 2012  
INVENTOR(S) : Mark Joseph

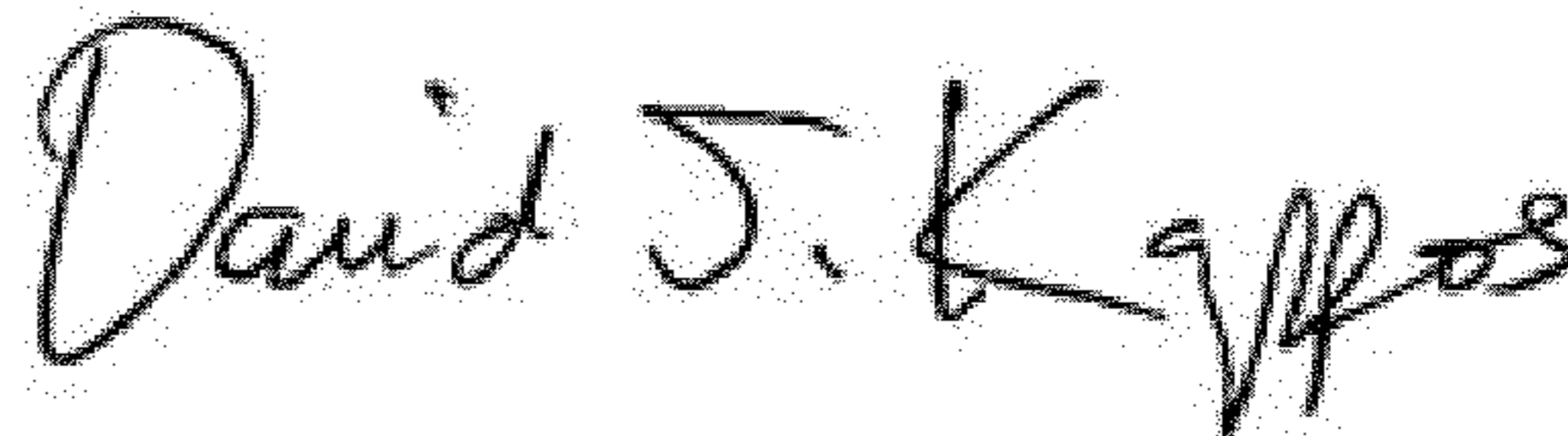
Page 1 of 1

It is certified that error appears in the above-identified patent and that said Letters Patent is hereby corrected as shown below:

Title Page;

(73) Assignee: Exos Corporation, Arden Mills, MI;  
should read (73) Assignee: -- Exos Corporation, Arden Hills, MN --

Signed and Sealed this  
Fourth Day of September, 2012

A handwritten signature in black ink that reads "David J. Kappos". The signature is written in a cursive, slightly slanted style.

David J. Kappos  
*Director of the United States Patent and Trademark Office*