

US00D663849S

(12) **United States Design Patent**  
**McGusty et al.**

(10) **Patent No.:** **US D663,849 S**

(45) **Date of Patent:** **\*\* Jul. 17, 2012**

(54) **ELECTRODE PATCH**

(75) Inventors: **Edwin A. McGusty**, Land O' Lakes, FL (US); **John W. Parker, III**, Clearwater, FL (US); **Michael J. Vosch**, Titusville, FL (US)

(73) Assignee: **Halthion Medical Tecgnologies, Inc.**, Tampa, FL (US)

(\*\*) Term: **14 Years**

(21) Appl. No.: **29/414,599**

(22) Filed: **Mar. 1, 2012**

**Related U.S. Application Data**

(62) Division of application No. 29/393,524, filed on Jun. 6, 2011, now Pat. No. Des. 658,299.

(51) **LOC (9) Cl.** ..... **24-01**

(52) **U.S. Cl.** ..... **D24/187**

(58) **Field of Classification Search** ..... D24/168,  
D24/186-187, 200, 232; D13/182; 600/372-384,  
600/391-397, 386; 607/62, 109, 121, 139,  
607/149, 152, 153

See application file for complete search history.

(56) **References Cited**

**U.S. PATENT DOCUMENTS**

D232,590 S 8/1974 Moore et al.  
5,042,481 A 8/1991 Suzuki et al.  
D326,716 S \* 6/1992 Mortara ..... D24/168  
6,219,568 B1 4/2001 Kelly et al.

6,453,186 B1 9/2002 Lovejoy et al.  
D468,433 S 1/2003 Wagner et al.  
D469,540 S 1/2003 Holker et al.  
6,609,018 B2 8/2003 Cory et al.  
6,654,626 B2 11/2003 Devlin et al.  
D495,055 S 8/2004 Silber  
6,847,836 B1 1/2005 Sujdak  
D541,421 S 4/2007 Metzger et al.  
7,286,865 B2 10/2007 Nazeri  
D565,183 S 3/2008 Cheng et al.  
D598,114 S 8/2009 Cryan  
D615,659 S \* 5/2010 Anderson et al. .... D24/187  
D615,660 S 5/2010 Anderson et al.  
D655,014 S \* 2/2012 Gilsdorf et al. .... D24/187  
2006/0155183 A1 7/2006 Kroecker et al.

\* cited by examiner

*Primary Examiner* — T. Chase Nelson

*Assistant Examiner* — Mark Cavanna

(74) *Attorney, Agent, or Firm* — Lonnie R Drayer

(57) **CLAIM**

The ornamental design for an electrode patch, as shown and described.

**DESCRIPTION**

FIG. 1 is a front view of the electrode patch;

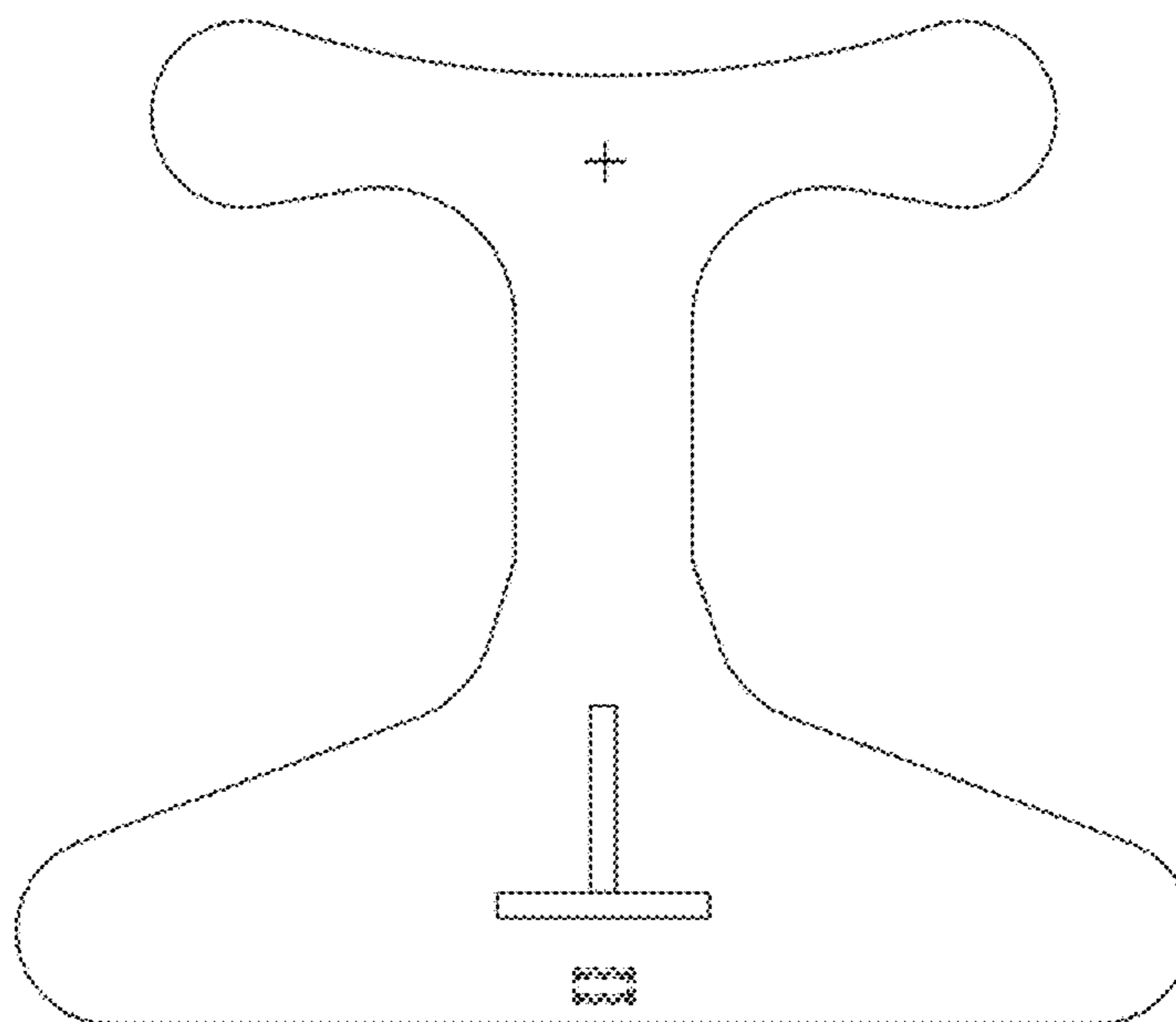
FIG. 2 is a rear view thereof;

FIG. 3 is a side view thereof; and,

FIG. 4 is end view thereof.

The broken lines are included for the purpose of illustrating a portion of the electrode patch that forms no part of the claimed design.

**1 Claim, 4 Drawing Sheets**



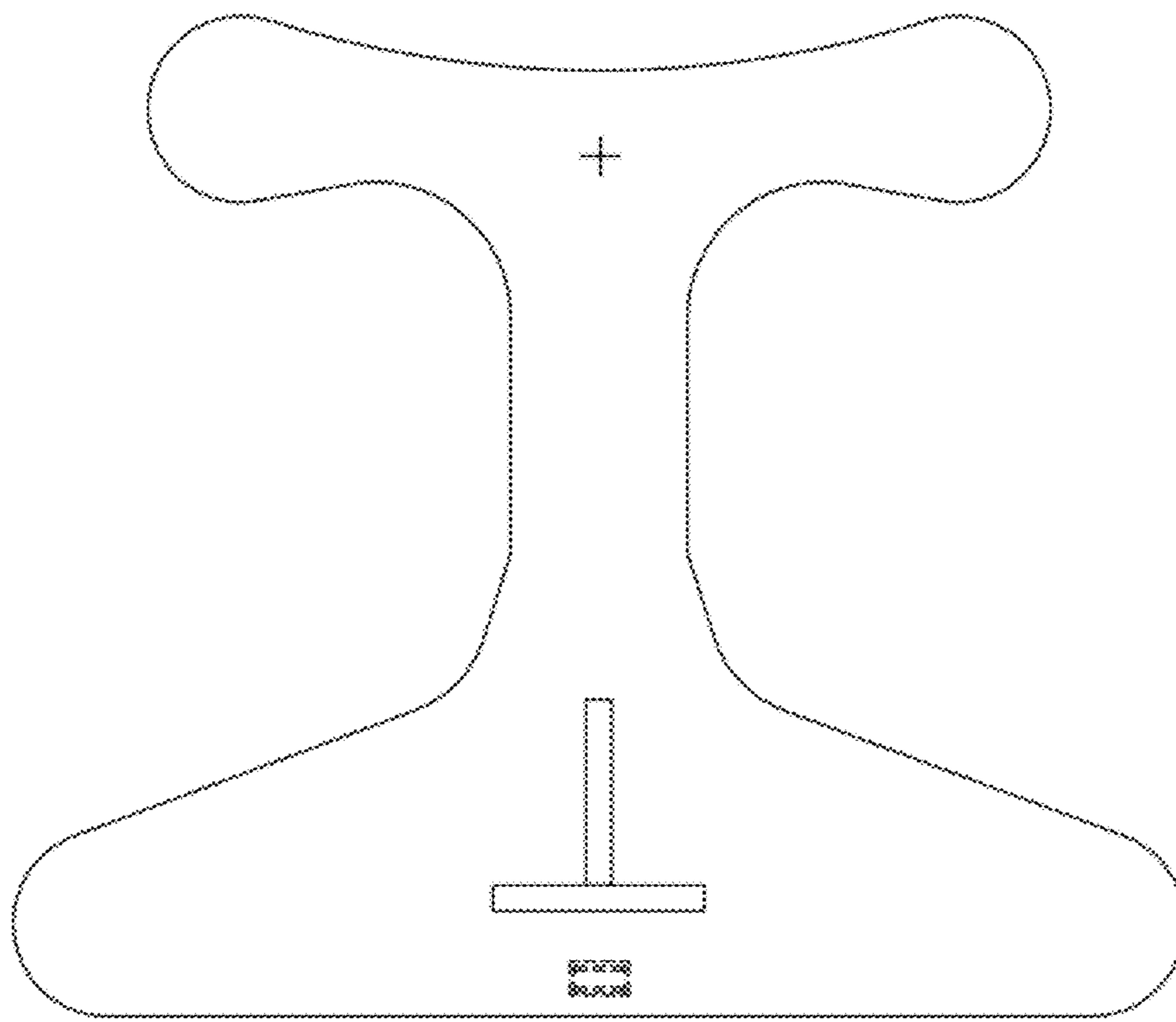


FIG. 1

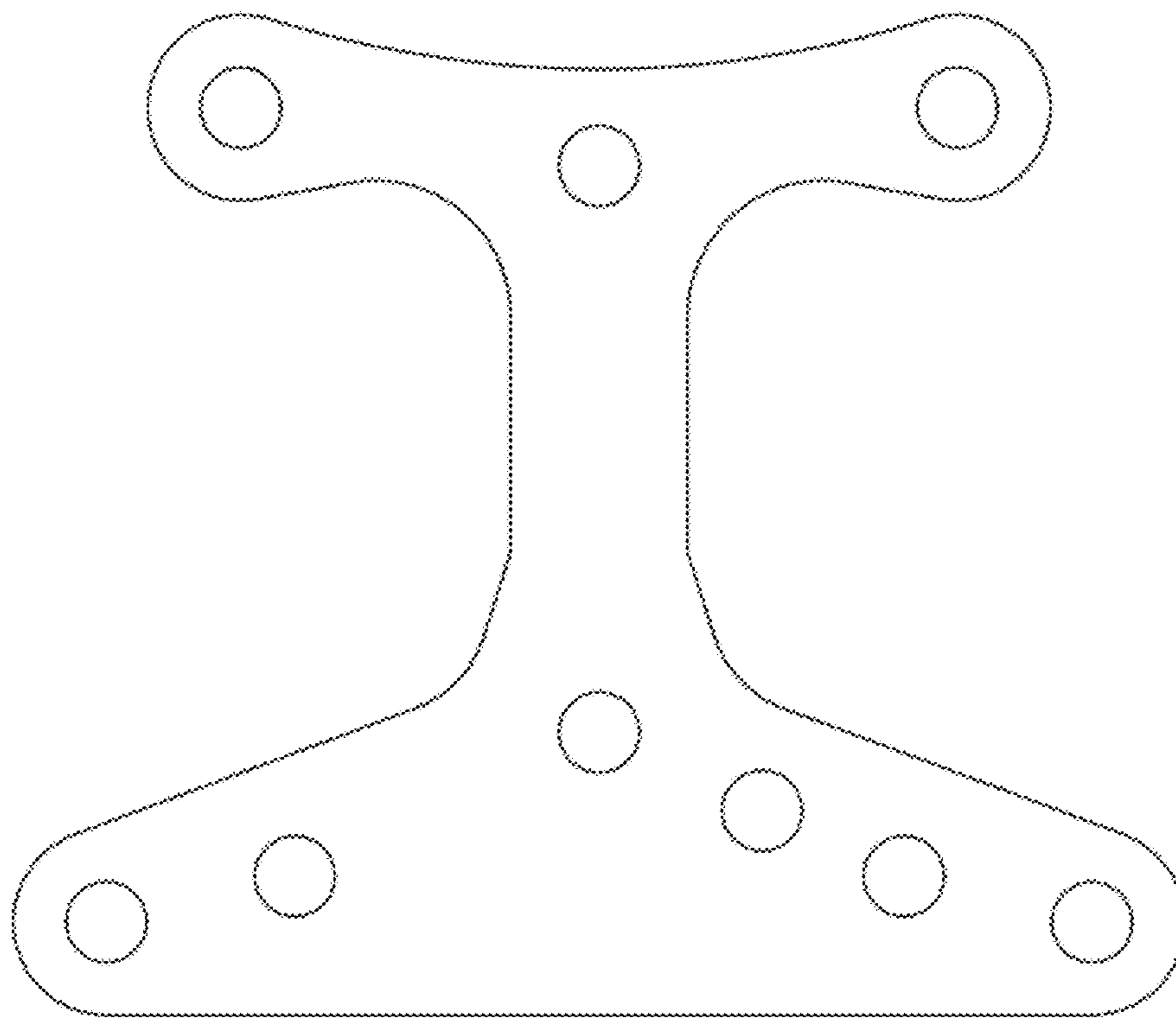


FIG. 2

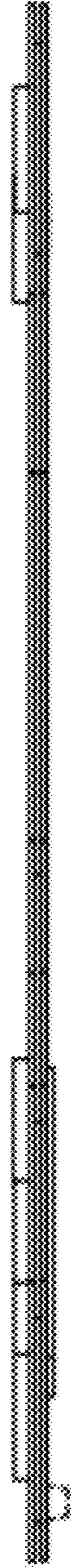


FIG. 3



FIG. 4