



US00D663847S

(12) **United States Design Patent**  
**Dubs et al.**

(10) **Patent No.:** **US D663,847 S**  
(45) **Date of Patent:** **\*\* Jul. 17, 2012**

(54) **HEARING AID**

(75) Inventors: **Basil Dubs**, Zurich (CH); **Christian Harbeke**, Zurich (CH)

(73) Assignee: **Phonak AG**, Stafa (CH)

(\*\*) Term: **14 Years**

(21) Appl. No.: **29/397,420**

(22) Filed: **Jul. 15, 2011**

**Related U.S. Application Data**

(62) Division of application No. 29/368,782, filed on Aug. 30, 2010, now Pat. No. Des. 646,788.

(51) **LOC (9) Cl.** ..... **24-99**

(52) **U.S. Cl.** ..... **D24/174**

(58) **Field of Classification Search** ..... D24/173-175,  
D24/151; D14/205, 223, 224, 249; 381/23.1,  
381/312, 322-324, 328-330

See application file for complete search history.

(56) **References Cited**

**U.S. PATENT DOCUMENTS**

D322,319	S	*	12/1991	van Mourik	.....	D24/174
D354,568	S	*	1/1995	Araki et al.	.....	D24/174
5,802,183	A		9/1998	Scheller et al.		
D457,635	S	*	5/2002	Dittli et al.	.....	D24/174
6,496,587	B1	*	12/2002	Mueller	.....	381/330
D516,216	S		2/2006	Portmann		
D530,819	S		10/2006	Jurkiewicz et al.		
D532,111	S		11/2006	Espersen		
D546,455	S		7/2007	Darbut et al.		
D558,880	S	*	1/2008	Le	.....	D24/174
D572,823	S		7/2008	Niccolai et al.		
D575,872	S		8/2008	Pedersen		
D579,567	S	*	10/2008	Pedersen	.....	D24/174
D611,607	S		3/2010	Mori et al.		
D634,847	S	*	3/2011	Schumaier et al.	.....	D24/174

(Continued)

**FOREIGN PATENT DOCUMENTS**

WO DM/071755 10/2009

(Continued)

*Primary Examiner* — Anhdao Doan

(74) *Attorney, Agent, or Firm* — Rankin, Hill & Clark LLP

(57) **CLAIM**

The ornamental design for a hearing aid, as shown and described.

**DESCRIPTION**

FIG. 1 is a perspective view of a first embodiment of a hearing aid embodying our design;

FIG. 2 is a right side view of the hearing aid device shown in FIG. 1;

FIG. 3 is a left side view of hearing aid device shown in FIG. 1;

FIG. 4 is a front view of the hearing aid device shown in FIG. 1;

FIG. 5 is a rear view of the hearing aid device shown in FIG. 1;

FIG. 6 is a top view of the hearing aid device shown in FIG. 1;

FIG. 7 is a bottom view of the hearing aid device shown in FIG. 1;

FIG. 8 is a perspective view of a second embodiment of a hearing aid embodying our design;

FIG. 9 is a right side view of the hearing aid device shown in FIG. 8;

FIG. 10 is a left side view of the hearing aid device shown in FIG. 8;

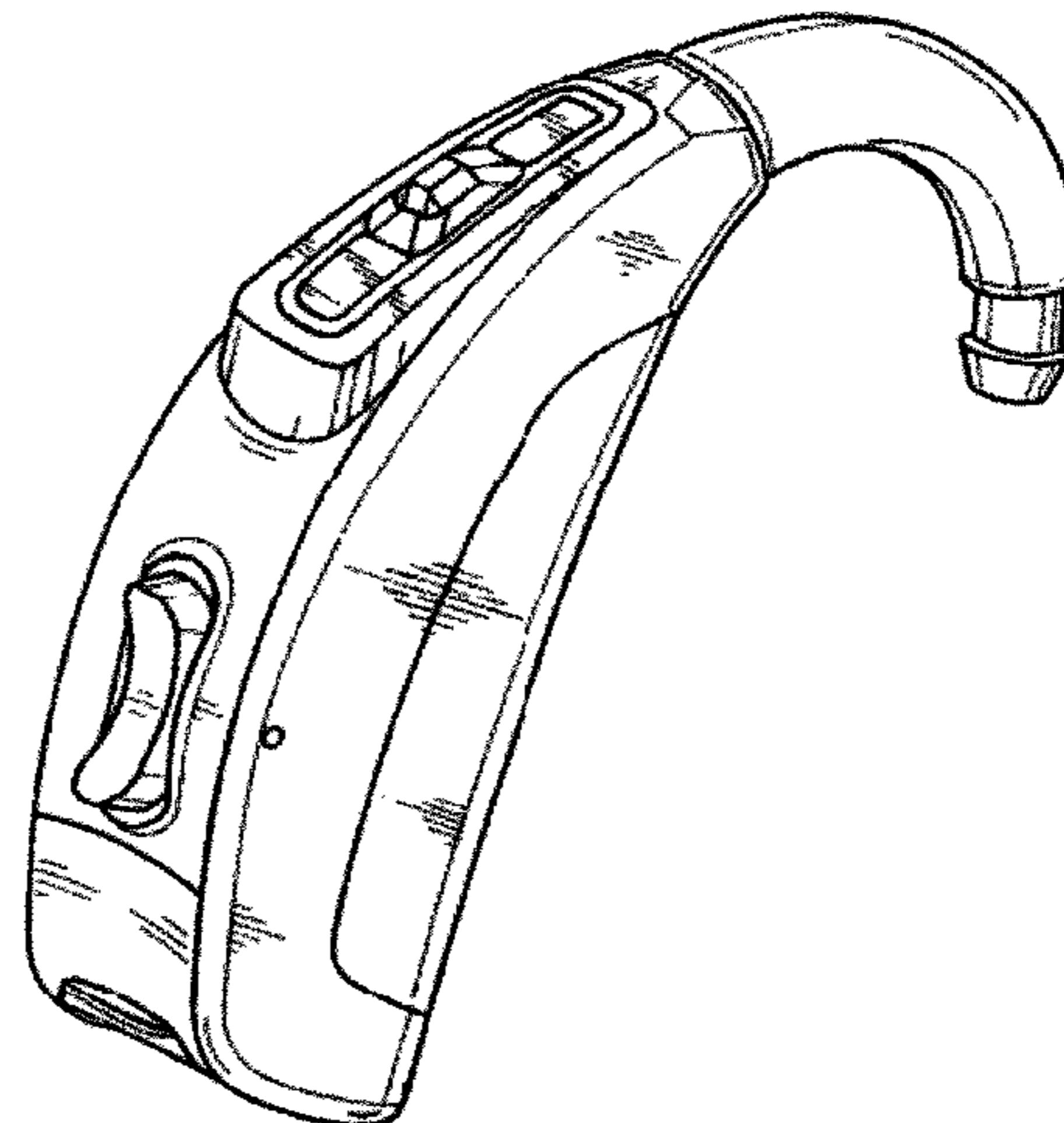
FIG. 11 is a front view of the hearing aid device shown in FIG. 8;

FIG. 12 is a rear view of the hearing aid device shown in FIG. 8;

FIG. 13 is a top view of the hearing aid device shown in FIG. 8; and,

FIG. 14 is a bottom view of the hearing aid device shown in FIG. 8.

**1 Claim, 6 Drawing Sheets**



# US D663,847 S

Page 2

---

## U.S. PATENT DOCUMENTS

D635,264	S	*	3/2011	Dubs	.....	D24/174
D642,276	S	*	7/2011	Dubs	.....	D24/174
D647,204	S	*	10/2011	Borregaard	.....	D24/175
2007/0127757	A2	*	6/2007	Darbut et al.	.....	381/330
2009/0042426	A1		2/2009	Kramer		

## FOREIGN PATENT DOCUMENTS

WO	DM/072002	12/2009
WO	DM/072071	12/2009
WO	DM/073725	9/2010

\* cited by examiner

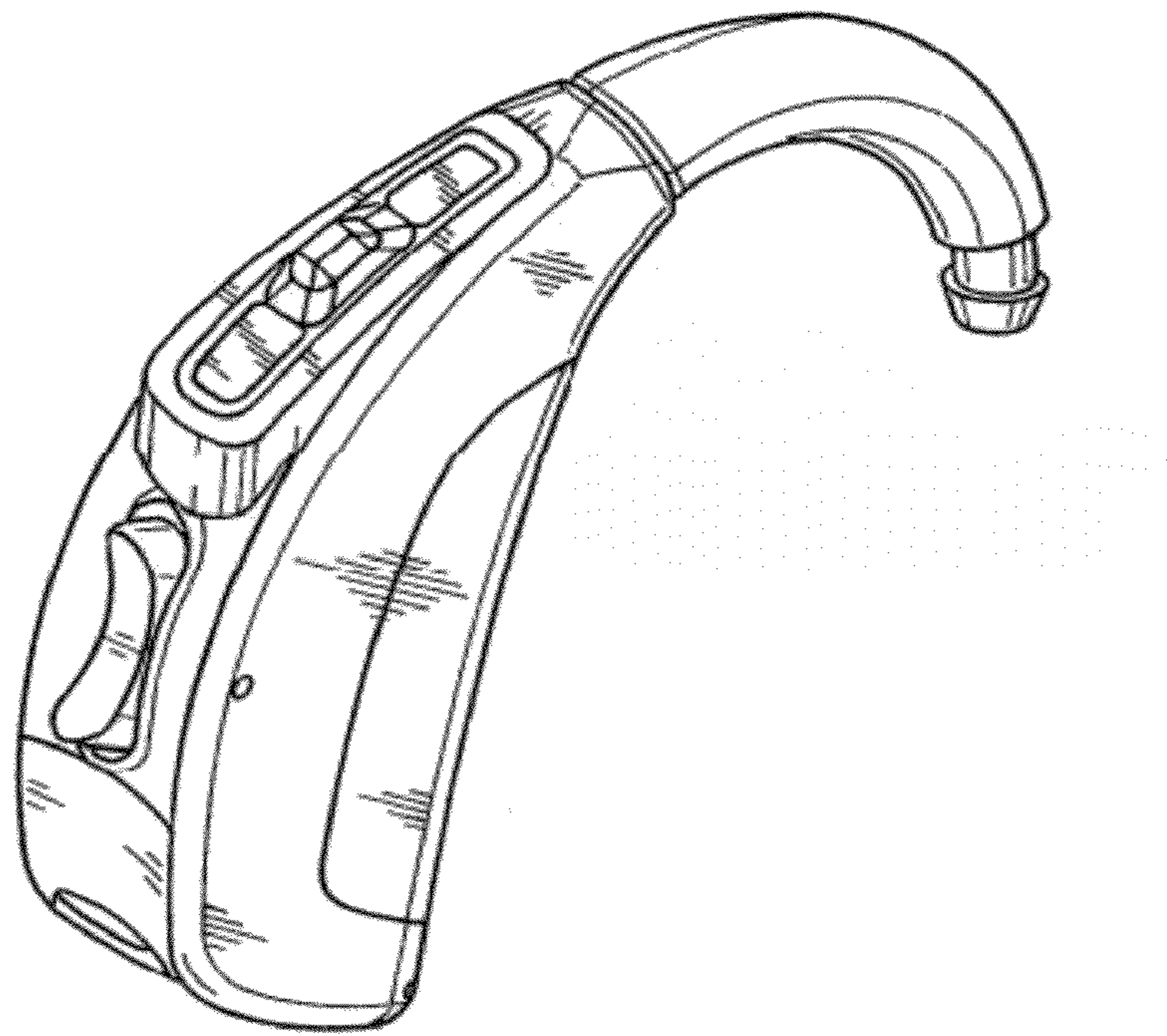


FIG. 1

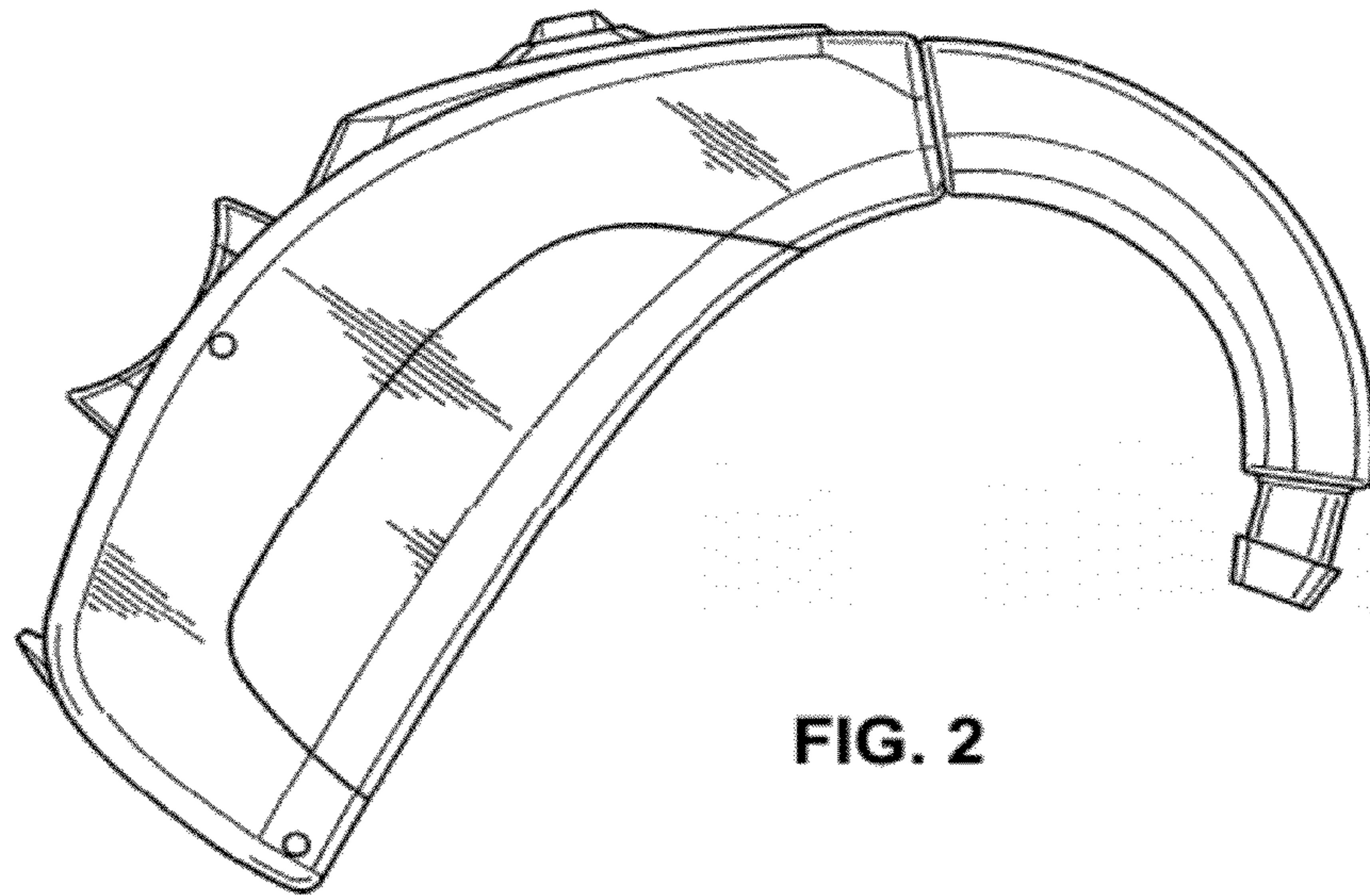


FIG. 2

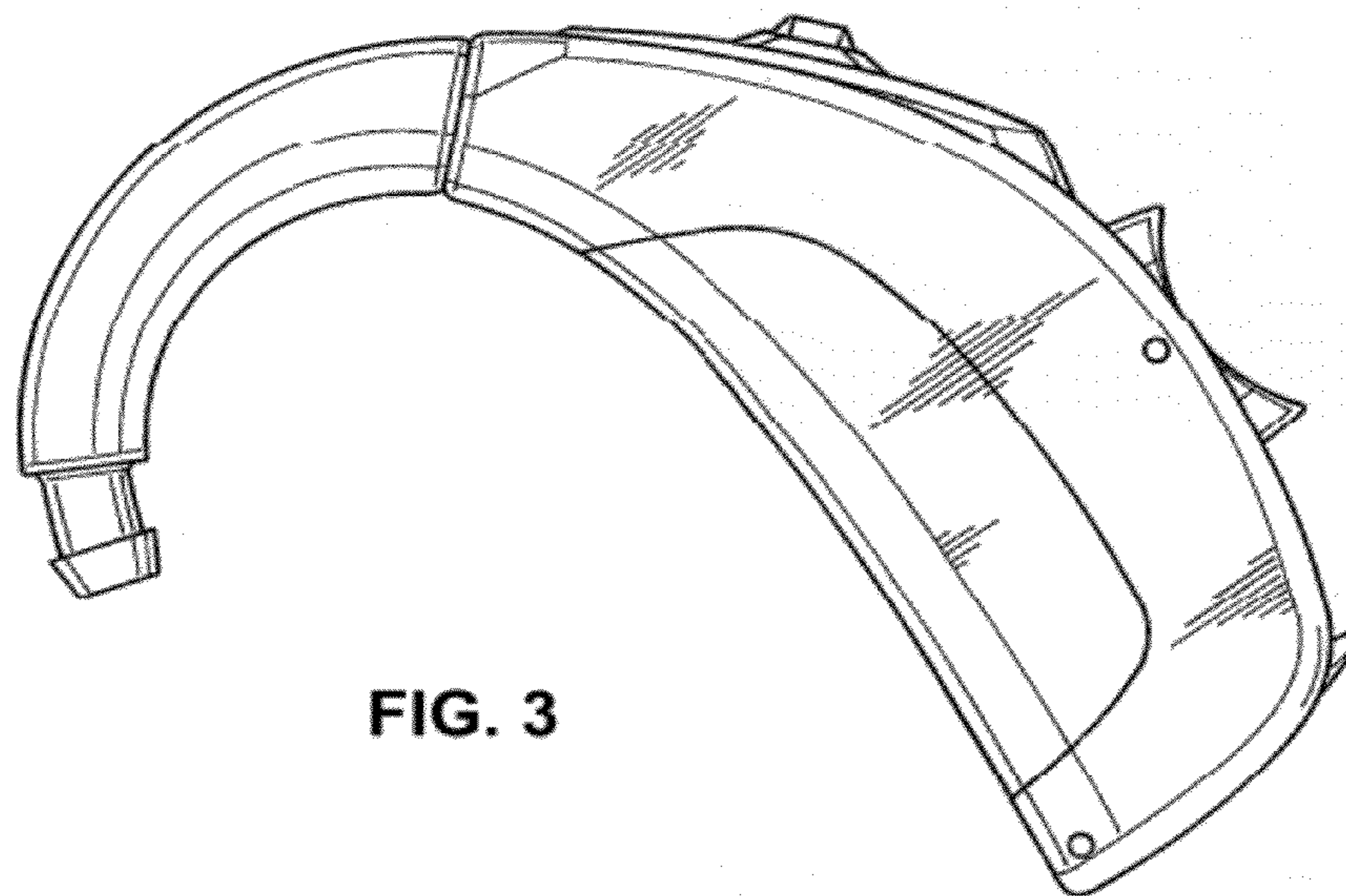


FIG. 3

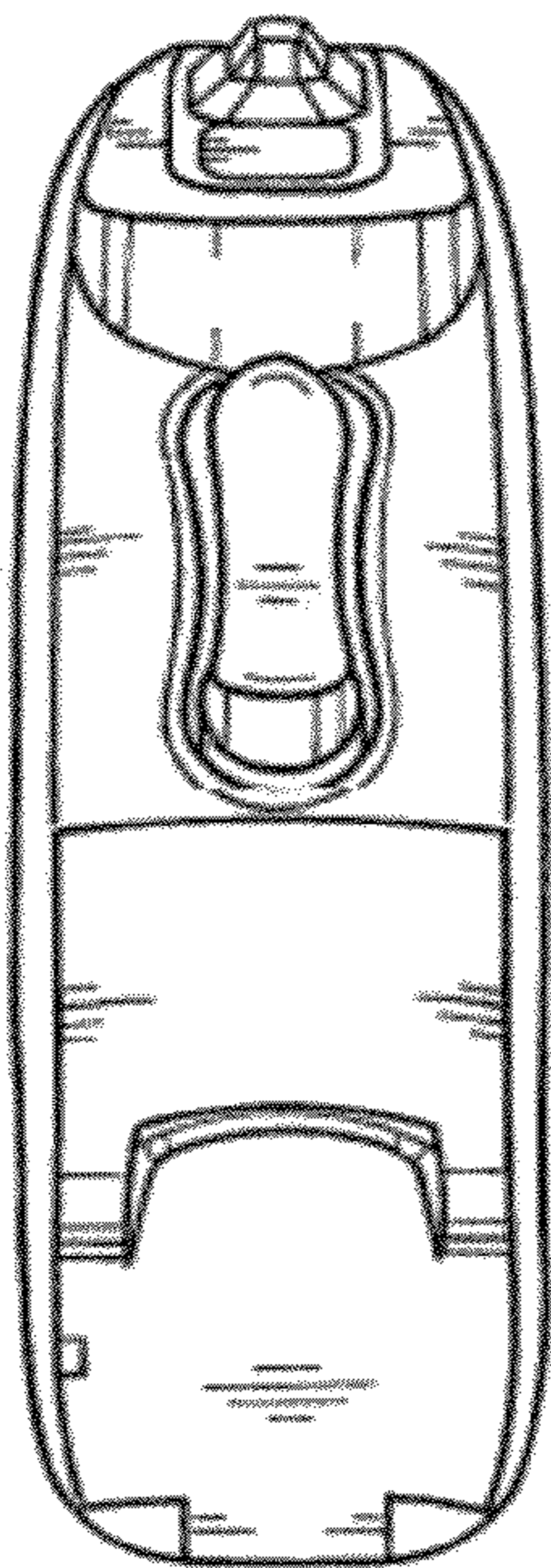


FIG. 4

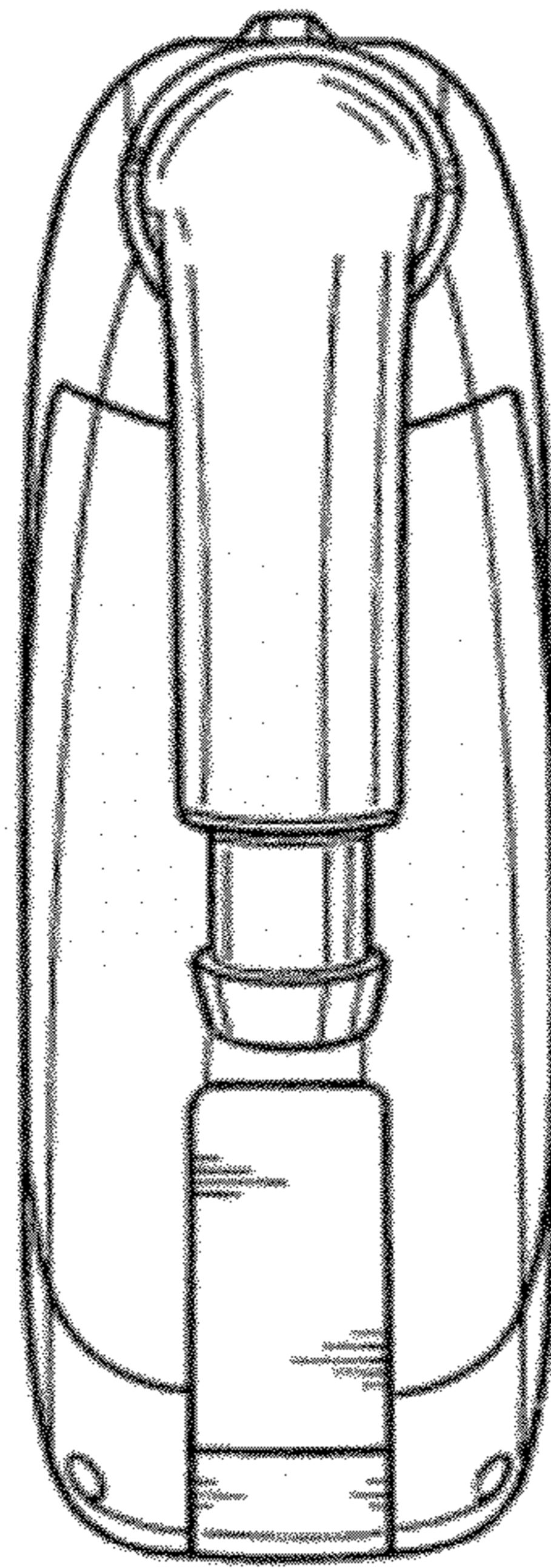


FIG. 5

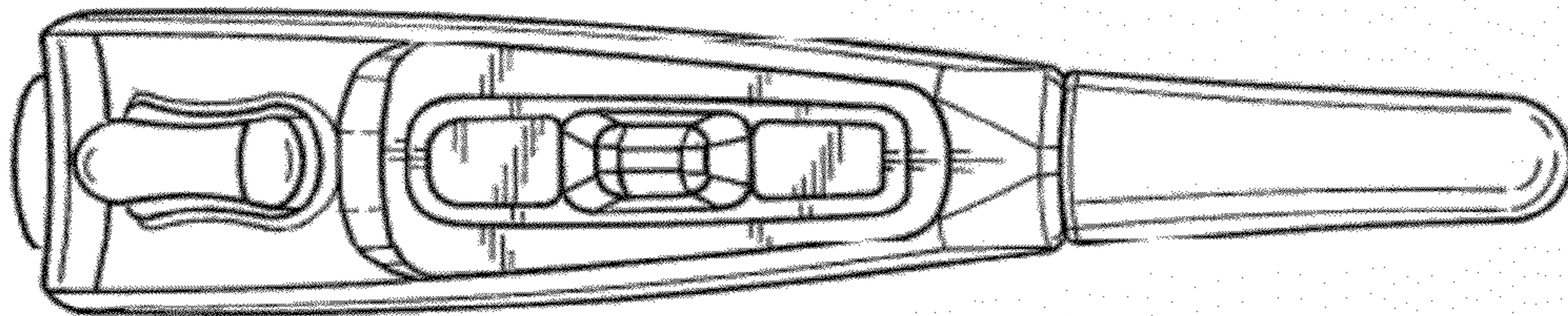


FIG. 6

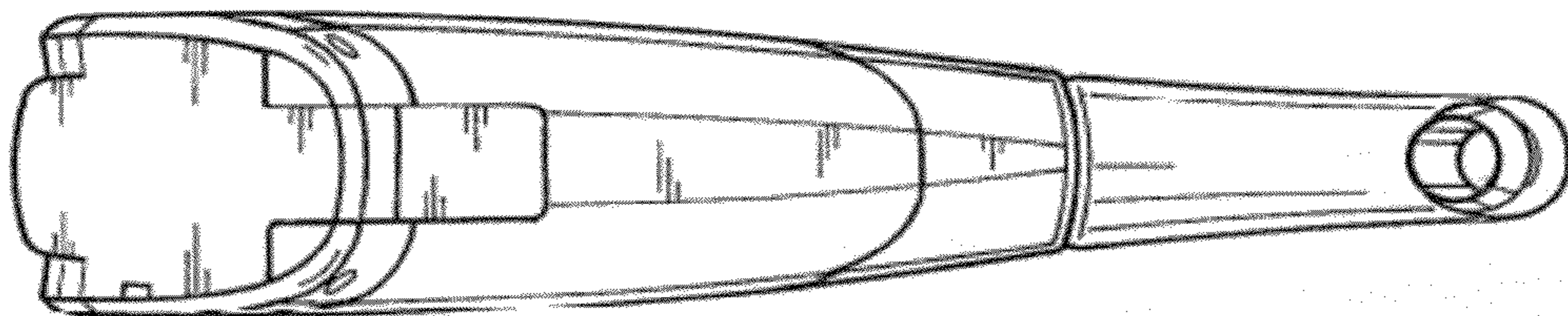
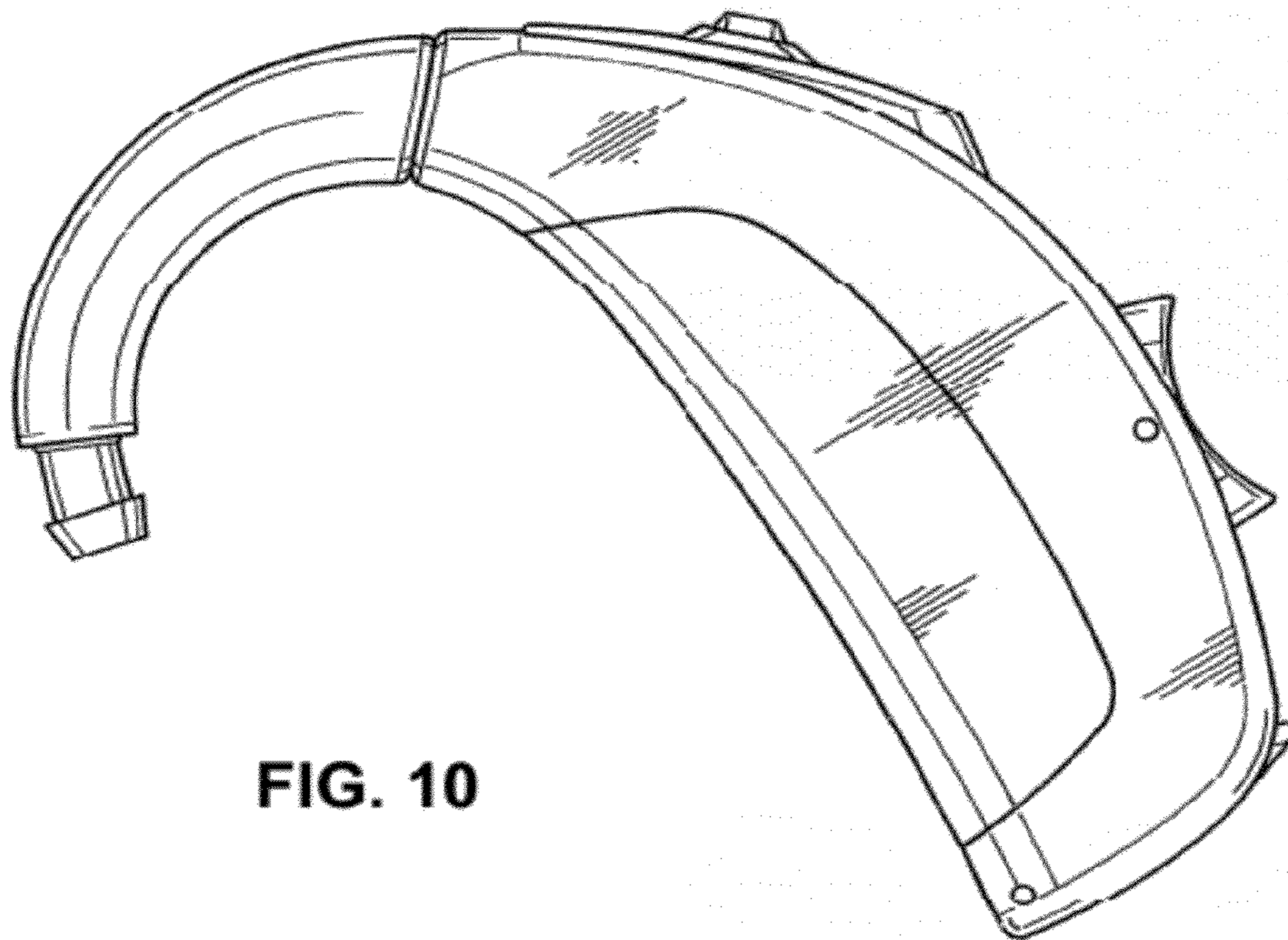
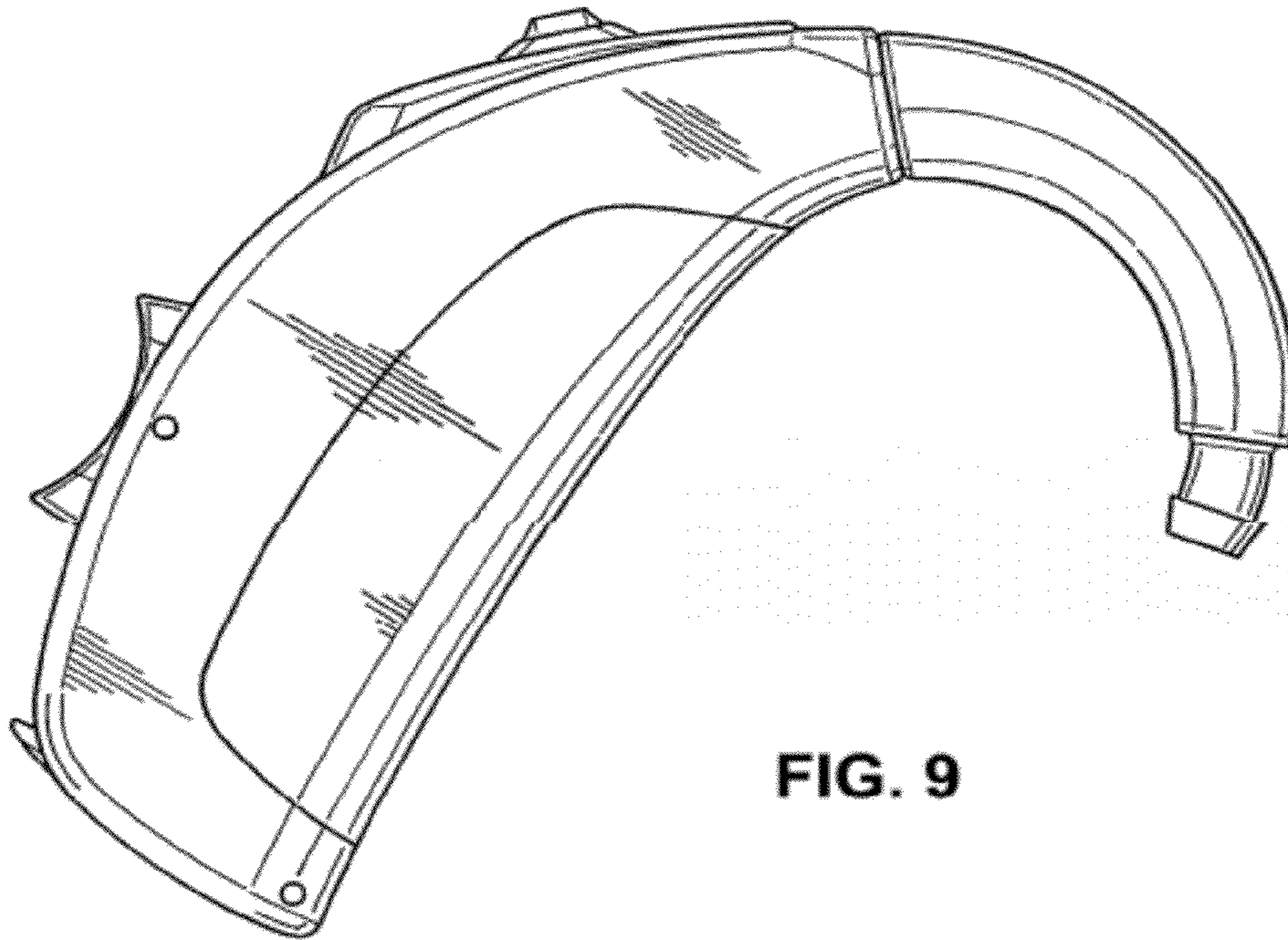


FIG. 7



FIG. 8



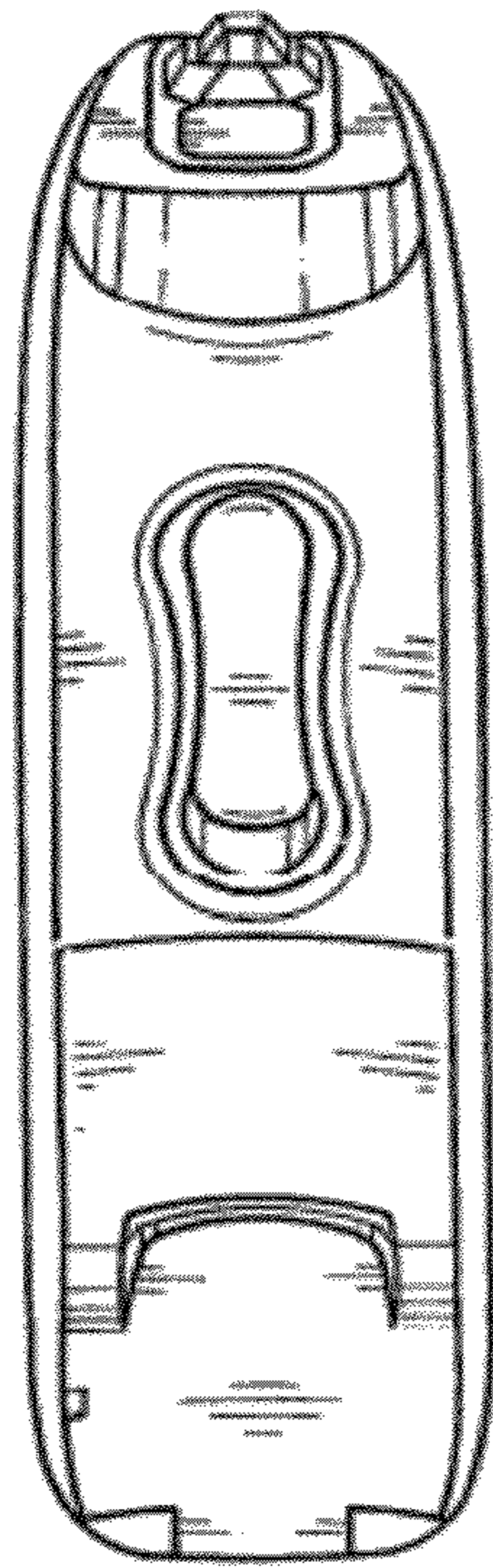


FIG. 11

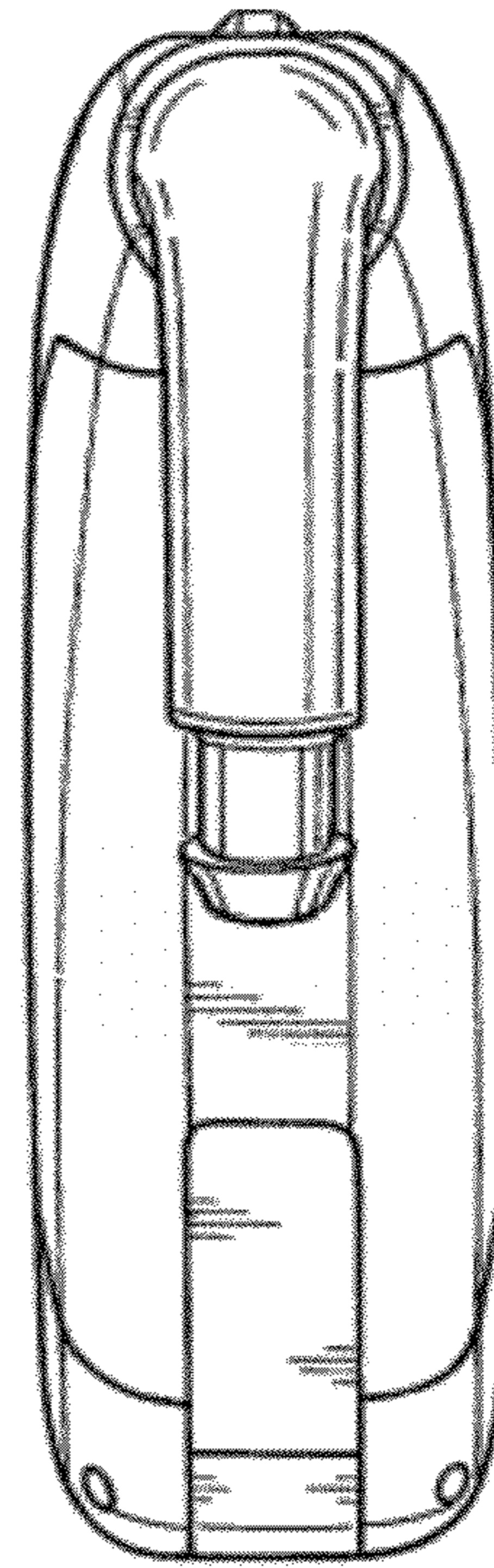


FIG. 12

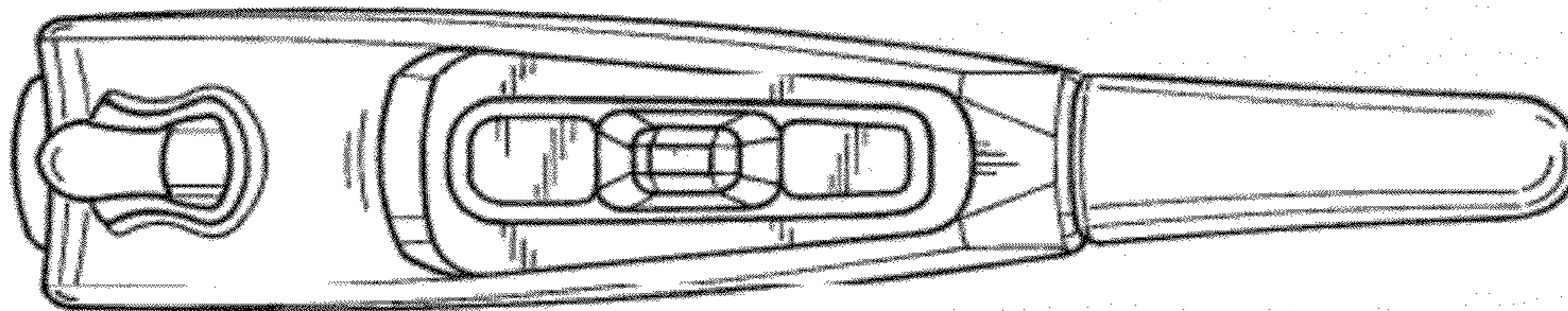


FIG. 13

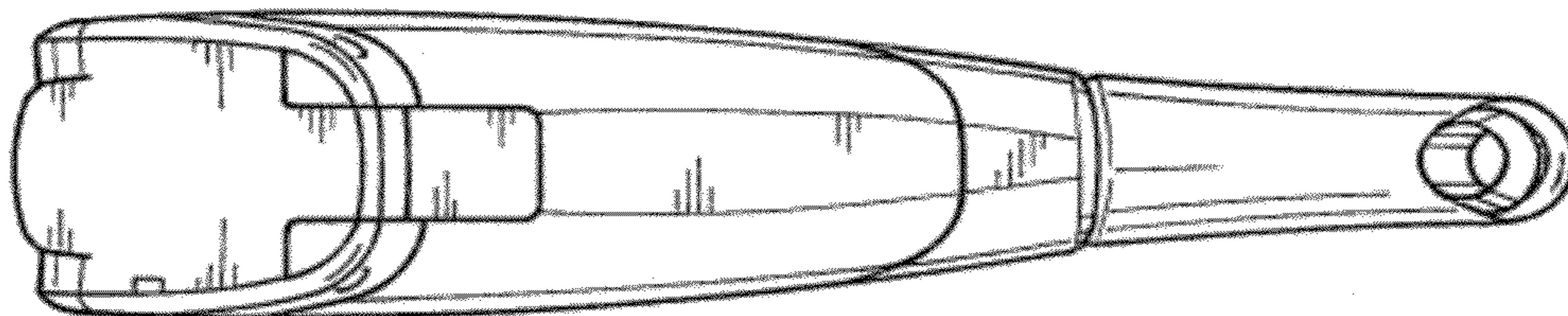


FIG. 14