

US00D663845S

(12) **United States Design Patent**
Delaey

(10) **Patent No.:** **US D663,845 S**

(45) **Date of Patent:** **** Jul. 17, 2012**

(54) **BLOOD SYSTEM ANALYZER**

(56) **References Cited**

(75) **Inventor:** **Tom Philippe Jean-Jacques Delaey,**
Mol (BE)

U.S. PATENT DOCUMENTS

(73) **Assignee:** **Koninklijke Philips Electronics N.V.,**
Eindhoven (NL)

D318,331	S	*	7/1991	Phillips et al.	D24/169
5,424,035	A	*	6/1995	Hones et al.	422/68.1
D402,369	S	*	12/1998	Prokop et al.	D24/169
D411,621	S	*	6/1999	Eisenbarth et al.	D24/169
RE36,474	E	*	12/1999	Stark	600/322
D417,504	S	*	12/1999	Love et al.	D24/169
D471,280	S	*	3/2003	Jaeck	D24/169
D600,349	S	*	9/2009	Bell et al.	D24/169
D622,393	S	*	8/2010	Gatrall et al.	D24/169
D626,651	S	*	11/2010	Brauer et al.	D24/169

(**) **Term:** **14 Years**

* cited by examiner

(21) **Appl. No.:** **29/386,180**

(22) **Filed:** **Feb. 25, 2011**

Primary Examiner — Anhdao Doan

(30) **Foreign Application Priority Data**

(57) **CLAIM**

Aug. 31, 2010 (EM) 001748708-0002

The ornamental design for a blood system analyzer, as shown.

DESCRIPTION

(51) **LOC (9) Cl.** **24-01**

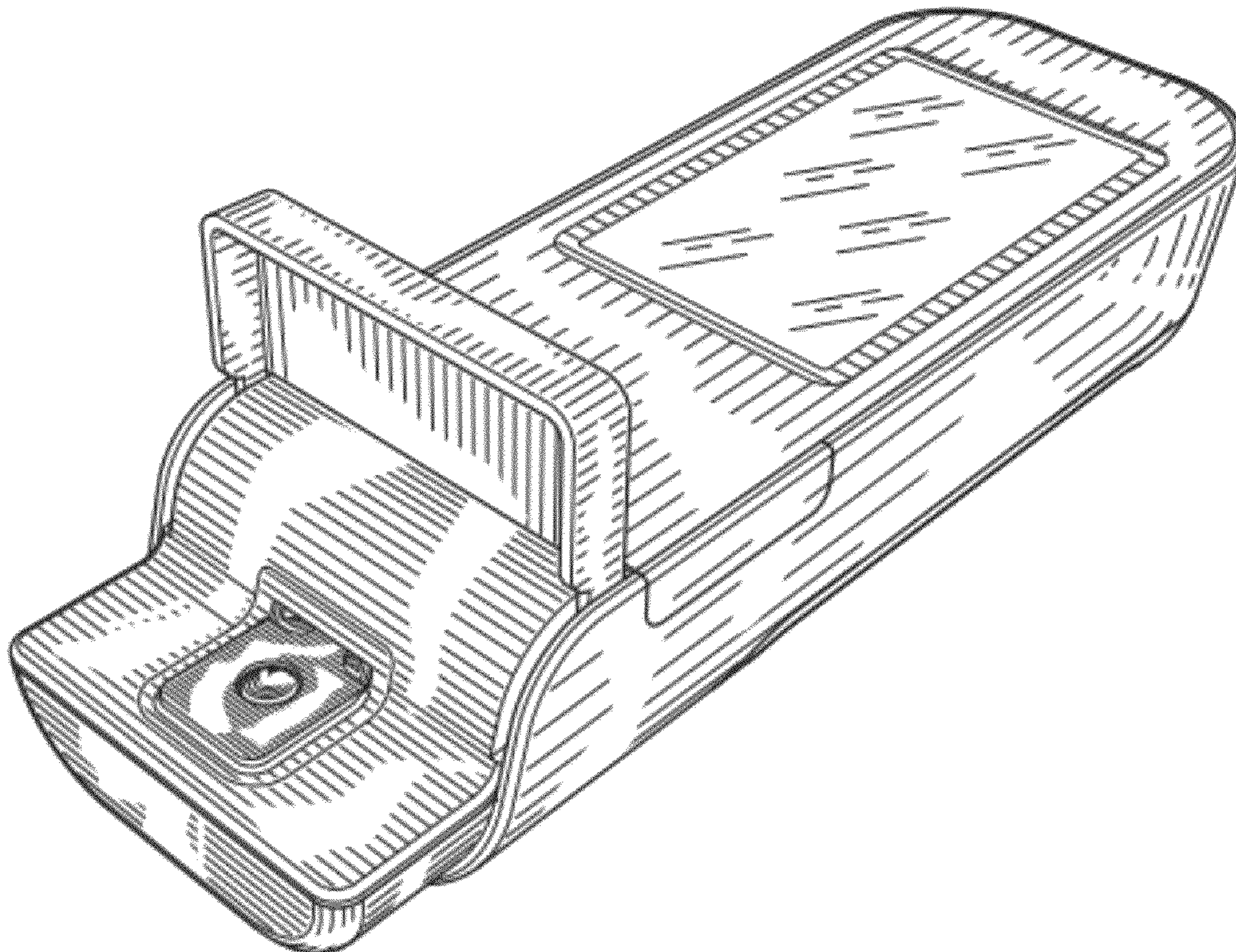
FIG. 1 is a perspective view showing my design;
FIG. 2 is a front elevational view thereof;
FIG. 3 is a rear elevational view thereof;
FIG. 4 is a right side elevational view thereof;
FIG. 5 is a left side elevational view thereof;
FIG. 6 is a top plan view thereof; and,
FIG. 7 is a bottom plan view thereof.

(52) **U.S. Cl.** **D24/169**

(58) **Field of Classification Search** D24/165-169,
D24/107, 186, 216, 223, 231, 232; D10/46,
D10/81; D14/341; 422/56, 58, 68.1; 600/316,
600/322, 347, 365, 368

See application file for complete search history.

1 Claim, 5 Drawing Sheets



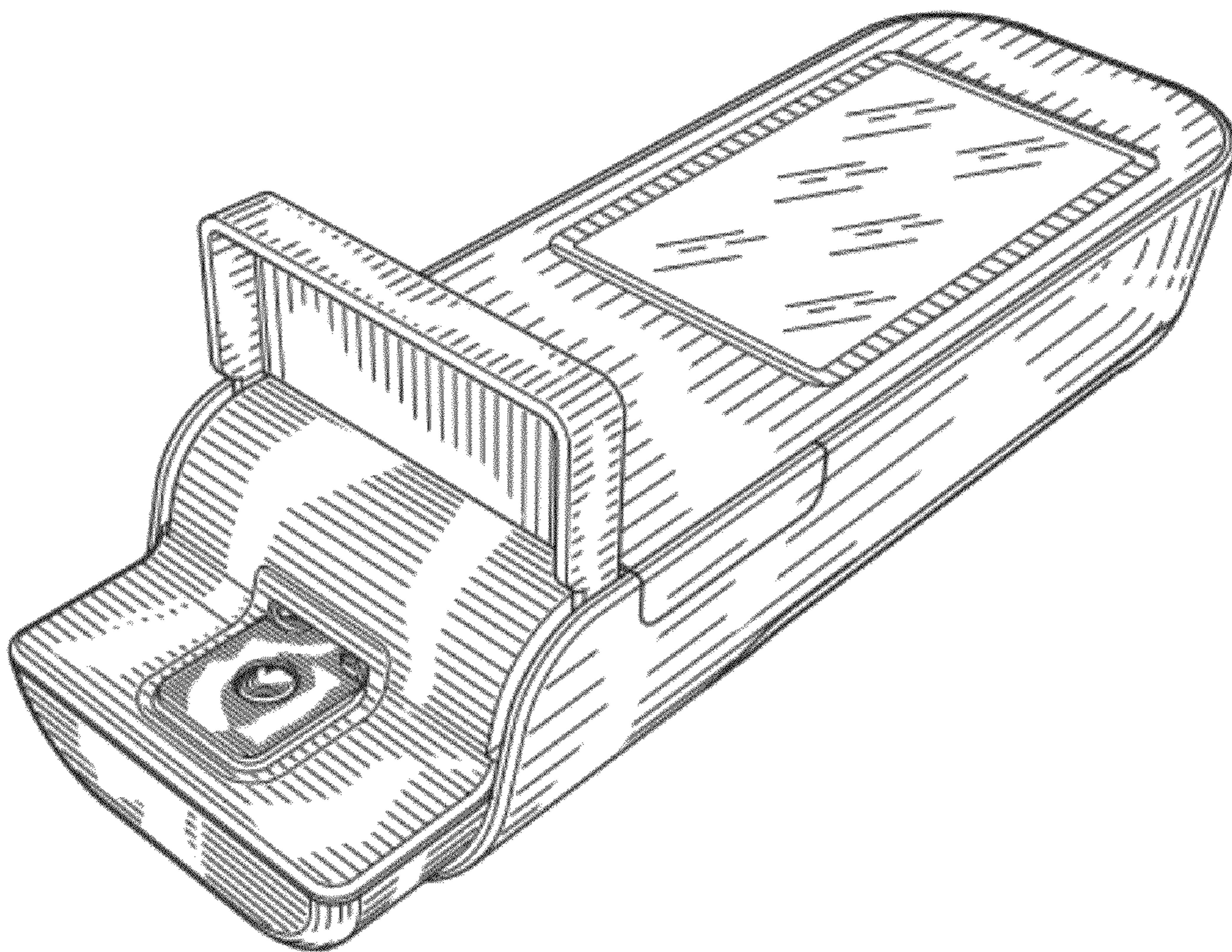


FIG.1

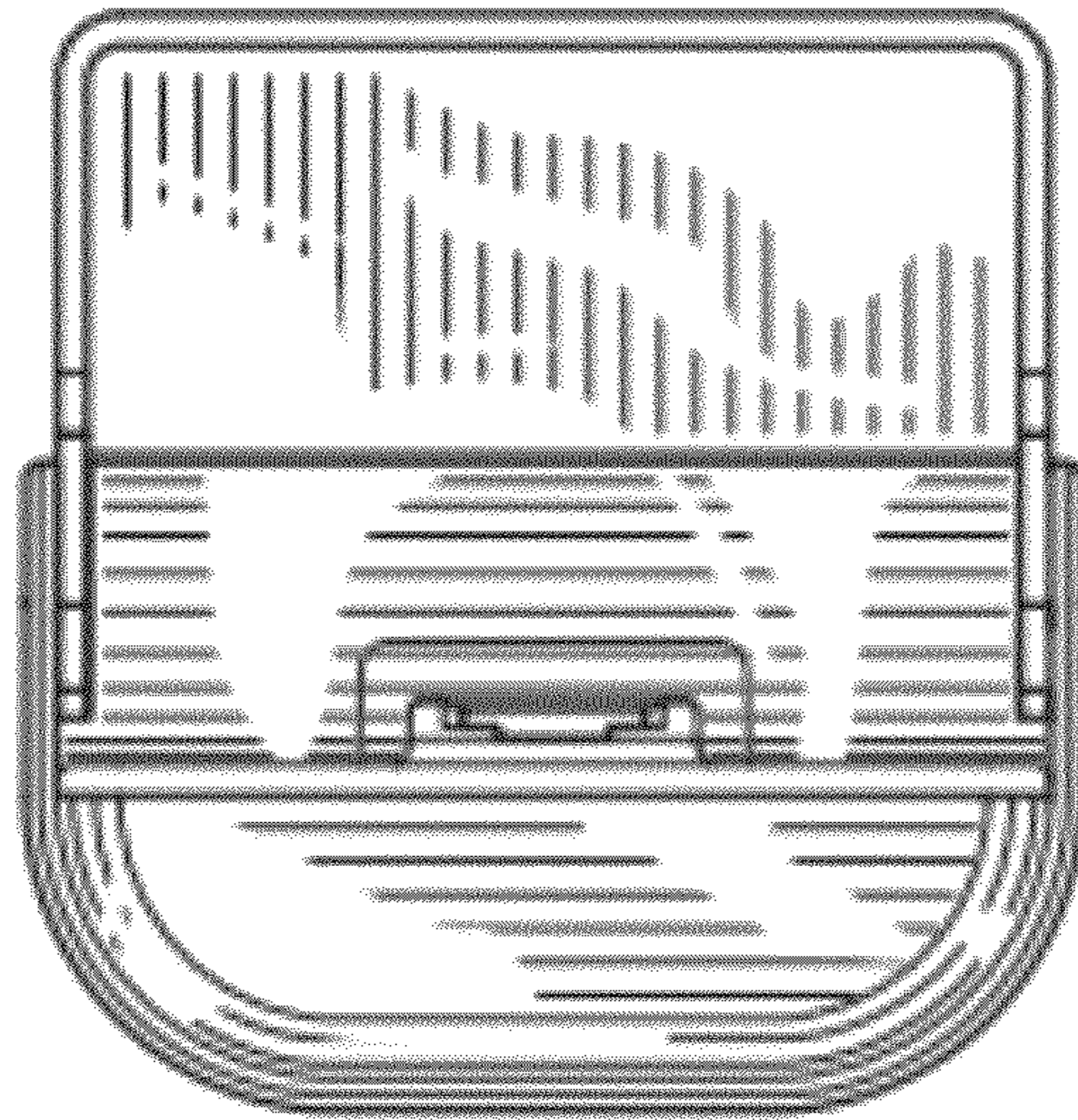


FIG. 2

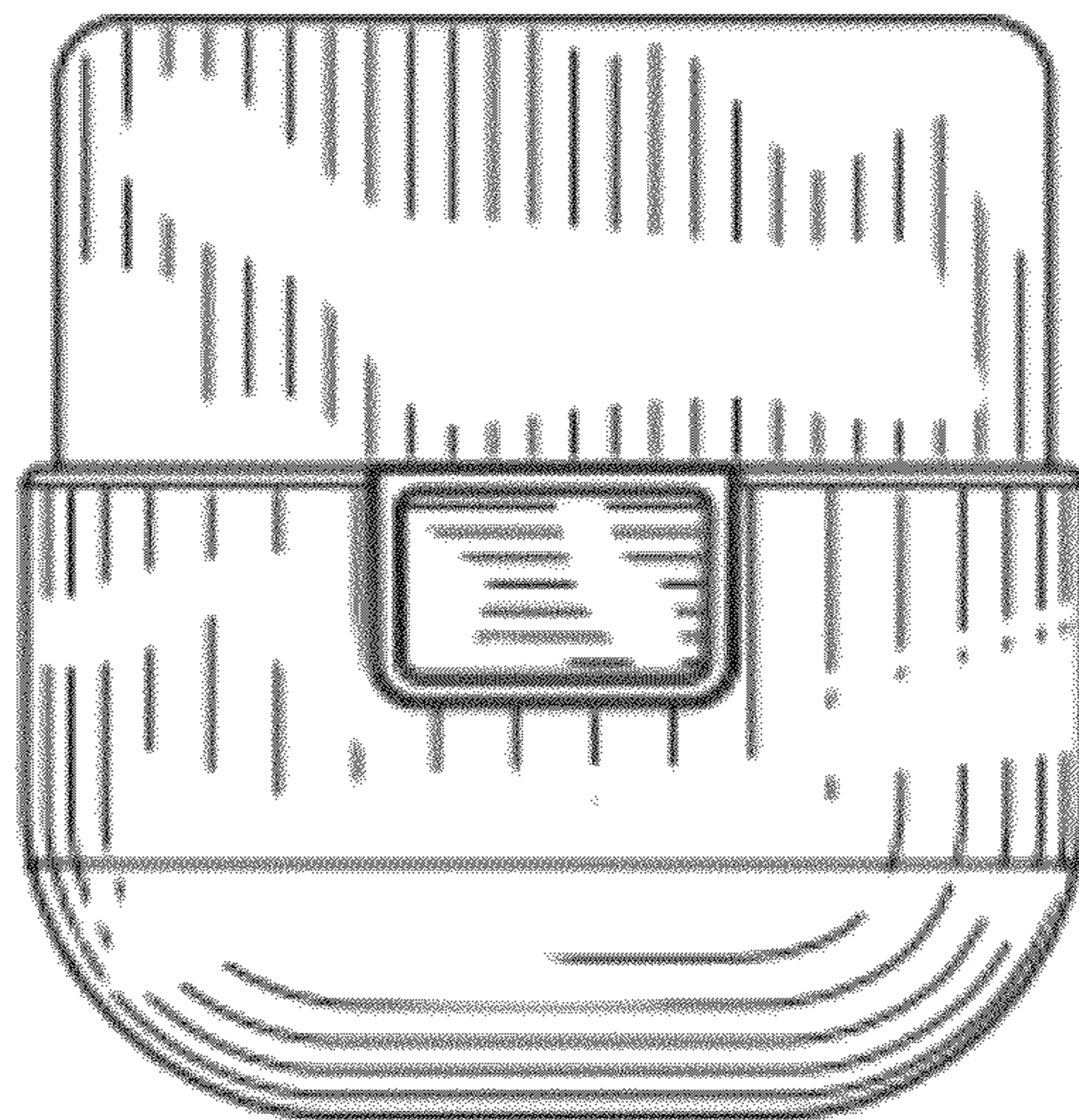


FIG. 3

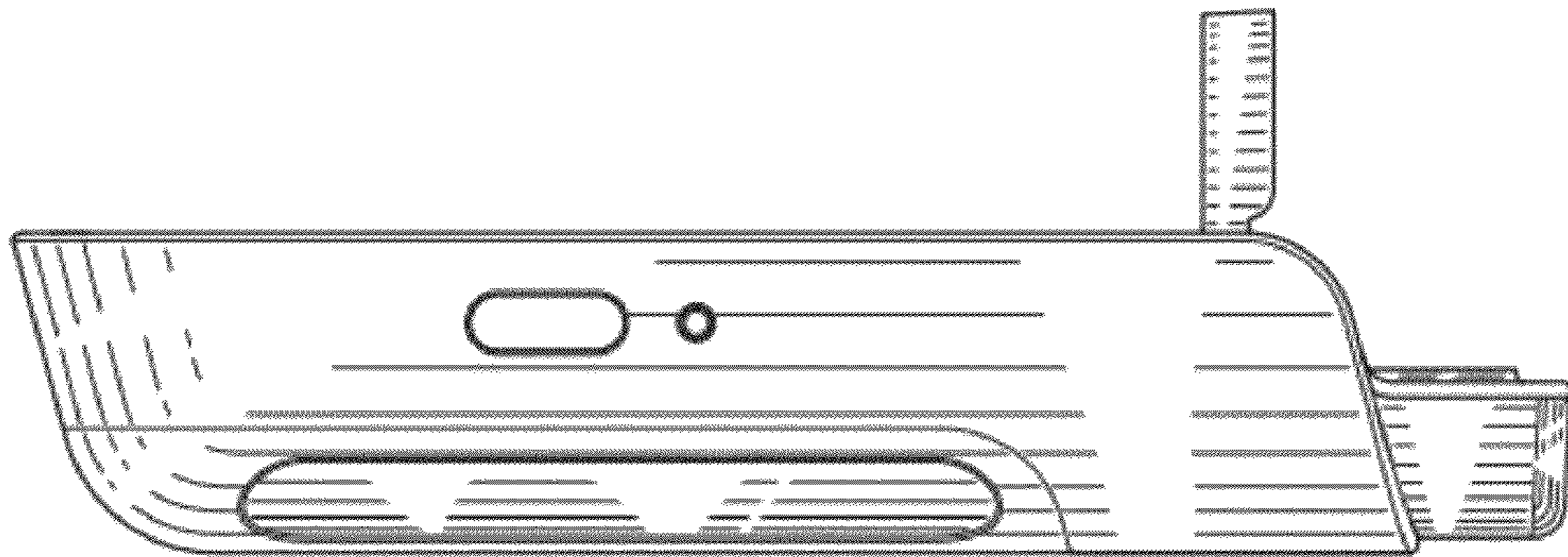


FIG. 4

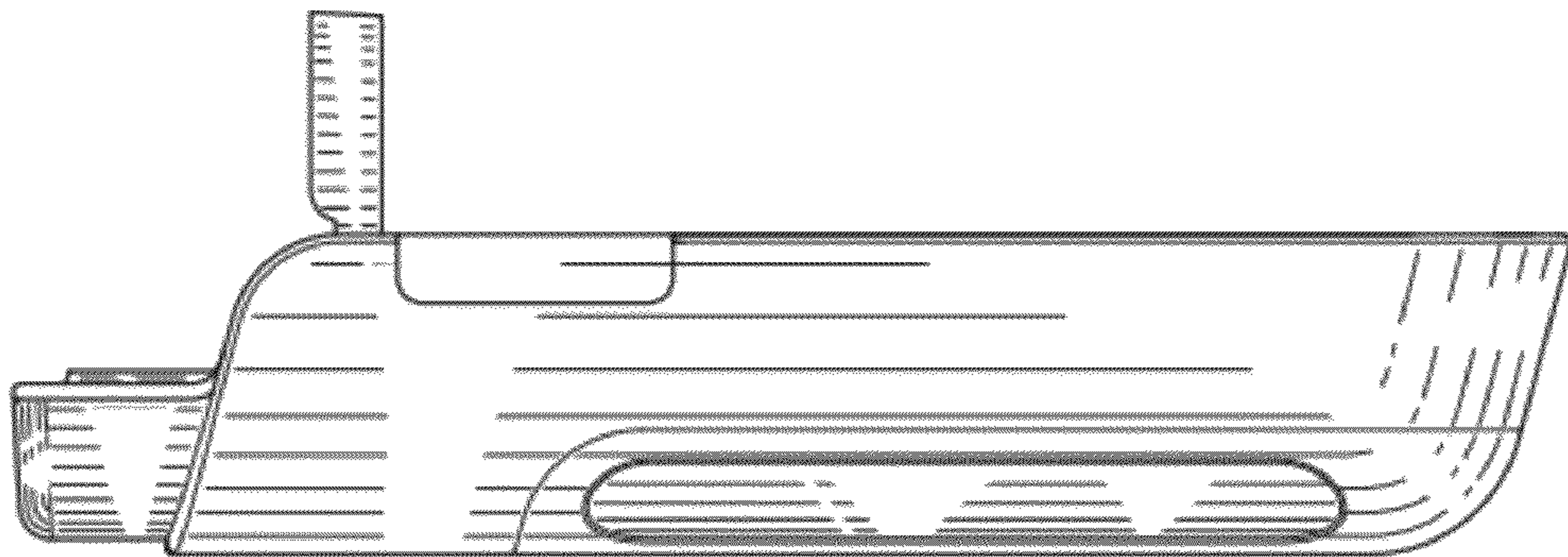


FIG. 5

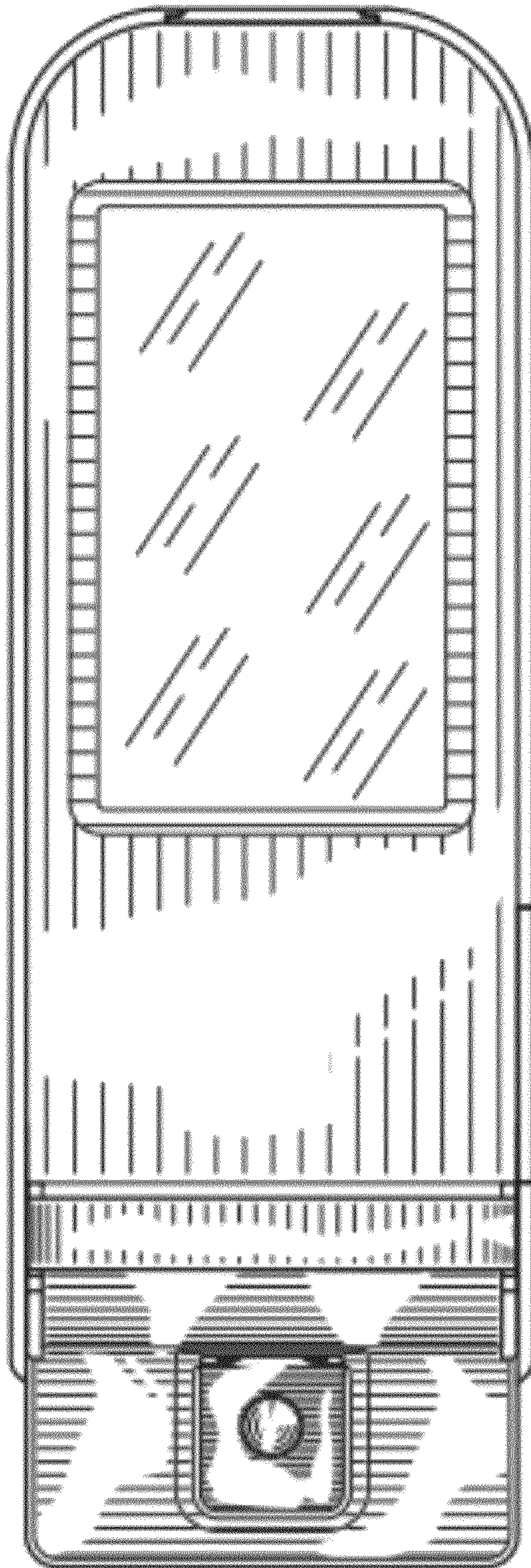


FIG. 6

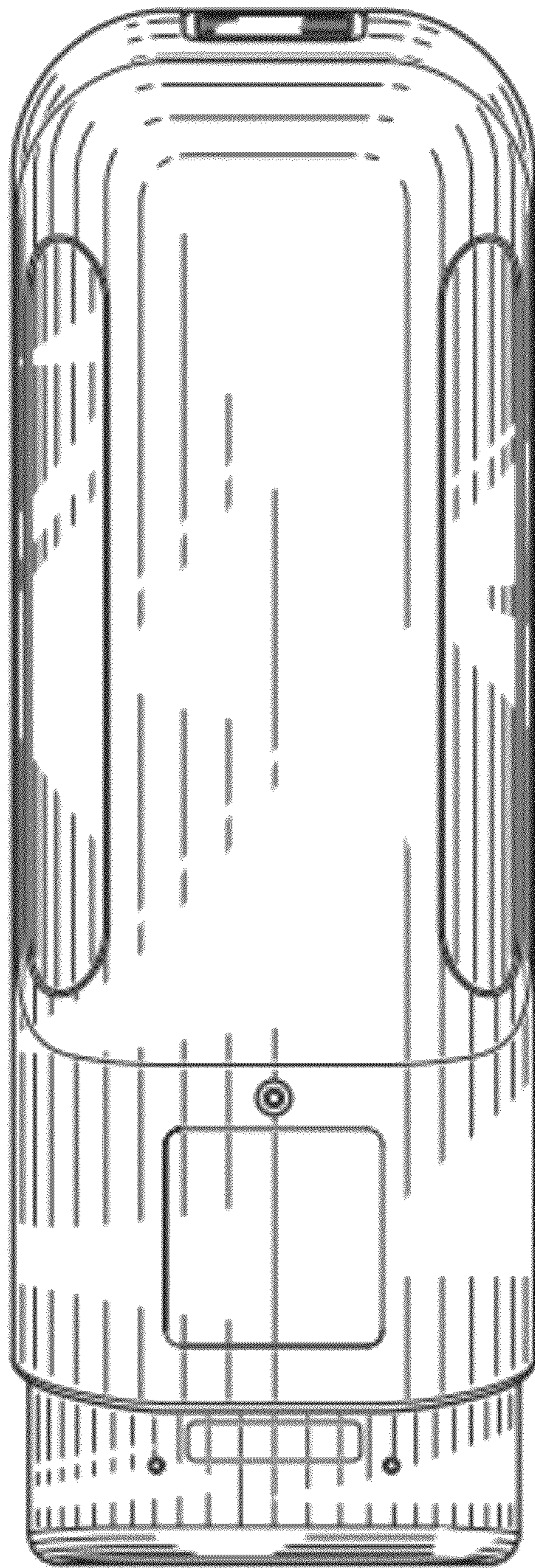


FIG. 7