



US00D663843S

(12) **United States Design Patent**
Wang

(10) **Patent No.:** **US D663,843 S**

(45) **Date of Patent:** **** Jul. 17, 2012**

(54) **BLOOD PRESSURE MONITOR**

(75) Inventor: **Bin Wang**, Guangdong Province (CN)

(73) Assignee: **Transtek Electronics Co., Ltd.**,
Guangdong Province (CN)

(**) Term: **14 Years**

(21) Appl. No.: **29/353,552**

(22) Filed: **Jan. 11, 2010**

(30) **Foreign Application Priority Data**

Sep. 22, 2009 (CN) 2009 3 0247312

(51) **LOC (9) Cl.** **24-02**

(52) **U.S. Cl.** **D24/166**

(58) **Field of Classification Search** D24/164-169,
D24/107, 186; D10/46, 98; 600/301, 481-483,
600/485, 490, 493-495, 500, 503, 509; 128/900
See application file for complete search history.

(56) **References Cited**

U.S. PATENT DOCUMENTS

D53,217 S * 4/1919 Berge D10/98
D244,945 S * 7/1977 Cuccio D24/166
D286,437 S * 10/1986 Nishibori D24/165
D290,397 S * 6/1987 Starkey D24/186
D437,414 S * 2/2001 Kern et al. D24/165
D475,788 S * 6/2003 Inagaki et al.
D520,638 S * 5/2006 Zeindler D24/166

D566,844 S * 4/2008 Inose D24/165
D569,518 S * 5/2008 Kitamura et al. D24/165
D583,060 S 12/2008 Kitamura et al.
2009/0062664 A1 * 3/2009 Chang et al. 600/485

OTHER PUBLICATIONS

U.S. Appl. No. 29/353,557, filed Jan. 11, 2010, entitled "Blood Pressure Monitor."

* cited by examiner

Primary Examiner — Anhdao Doan

(74) *Attorney, Agent, or Firm* — Fitch, Even, Tabin & Flannery, LLP

(57) **CLAIM**

I claim the ornamental design for a blood pressure monitor, as shown and described.

DESCRIPTION

FIG. 1 is a front elevational view of a blood pressure monitor showing my new design;

FIG. 2 is a rear elevational view thereof;

FIG. 3 is a left side elevational view thereof;

FIG. 4 is a right side elevational view thereof;

FIG. 5 is a top plan view thereof;

FIG. 6 is a bottom plan view thereof; and,

FIG. 7 is a perspective view thereof.

The broken lines in the drawing views are included for the purpose of illustrating portions of the blood pressure monitor that form no part of the claimed design.

1 Claim, 6 Drawing Sheets

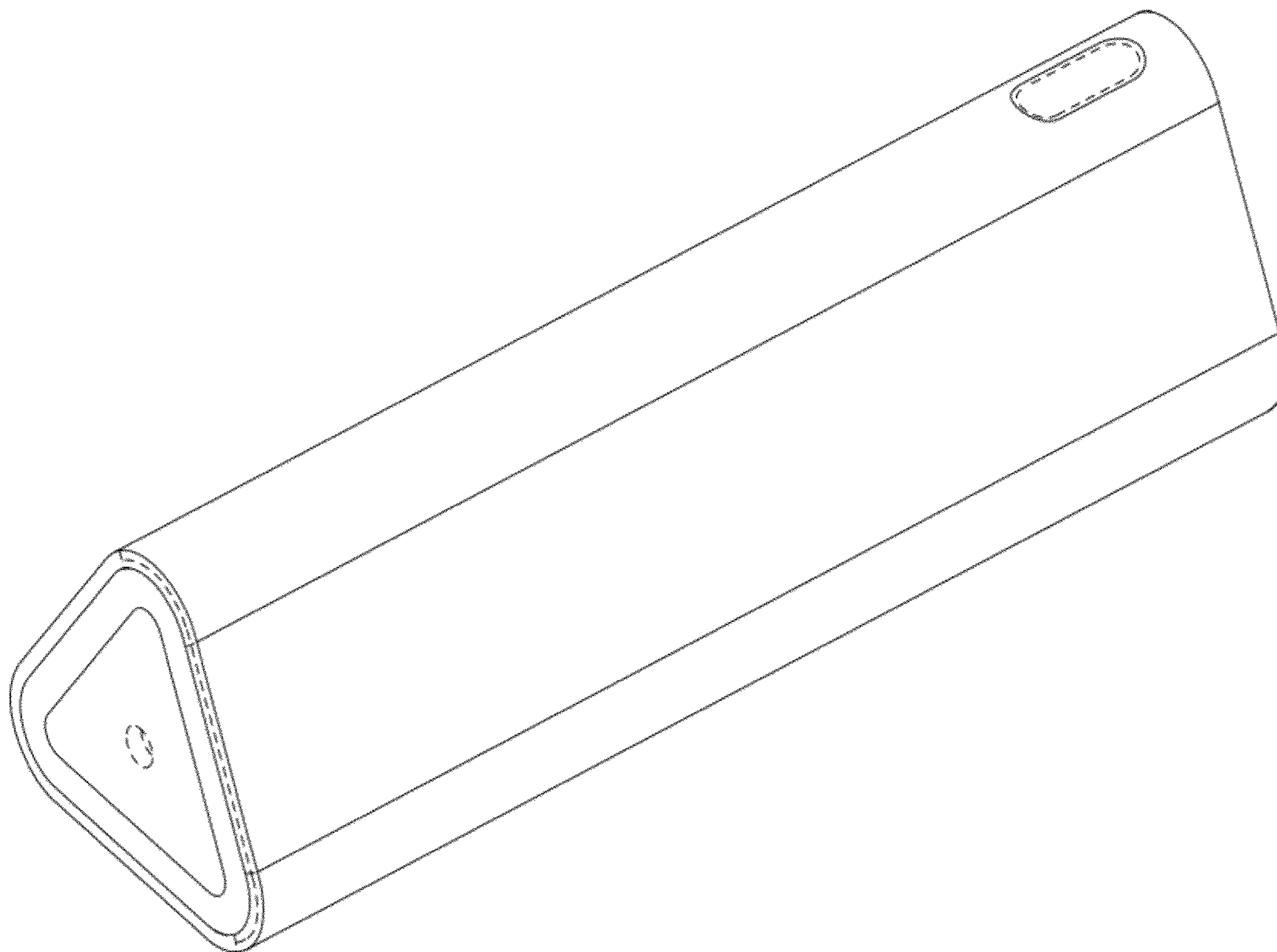


FIG. 1

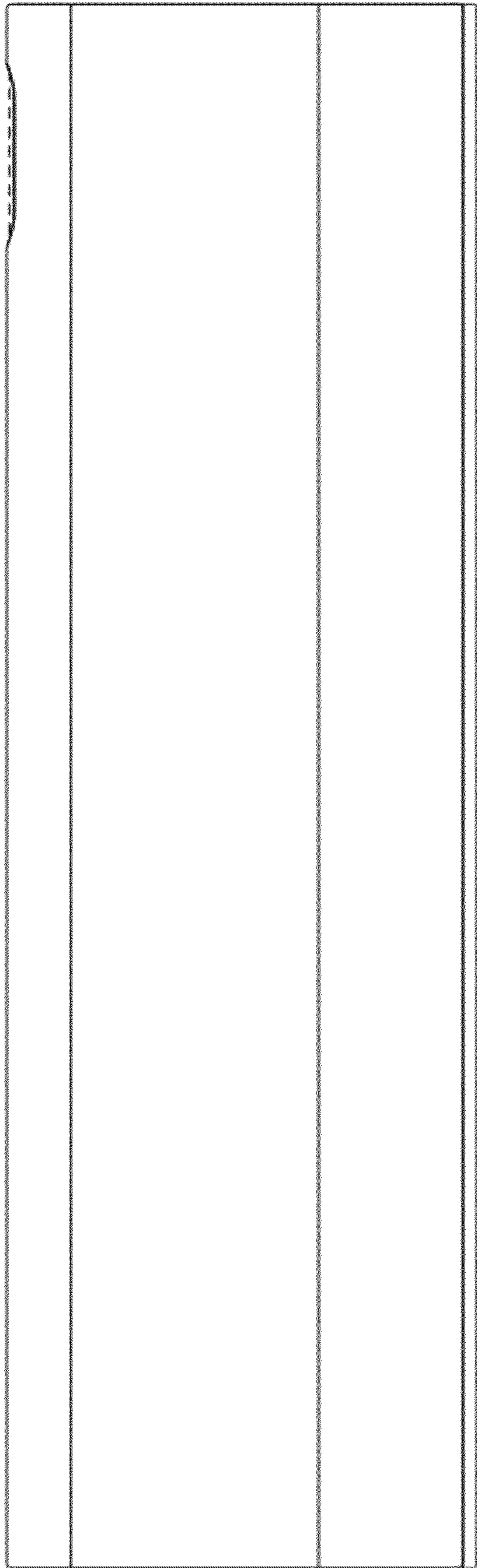


FIG. 2

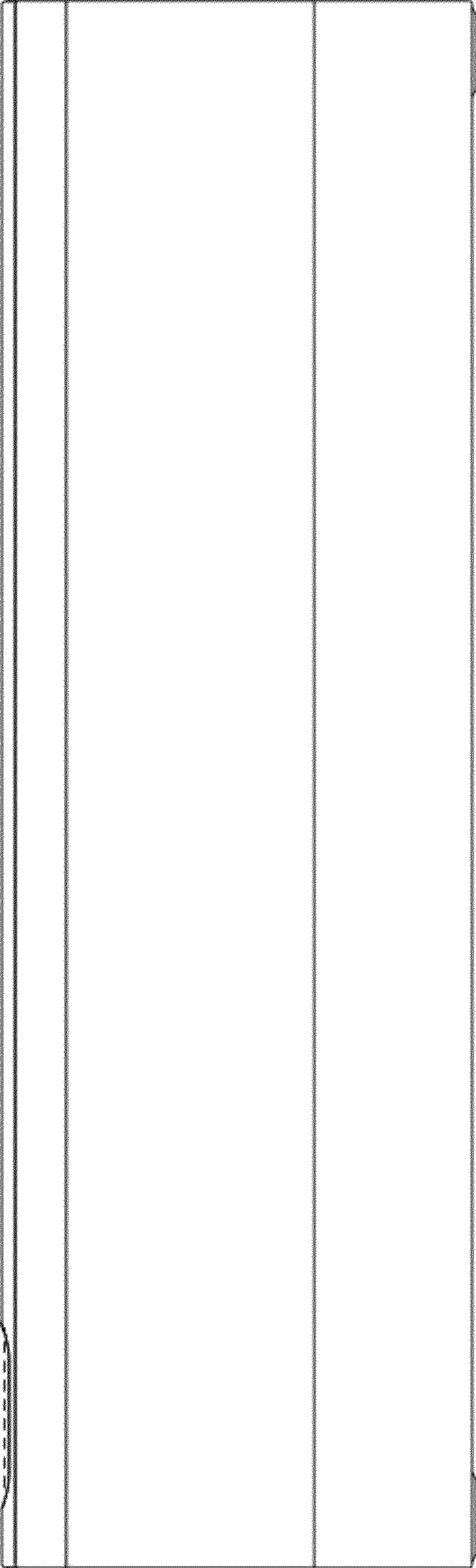


FIG. 4

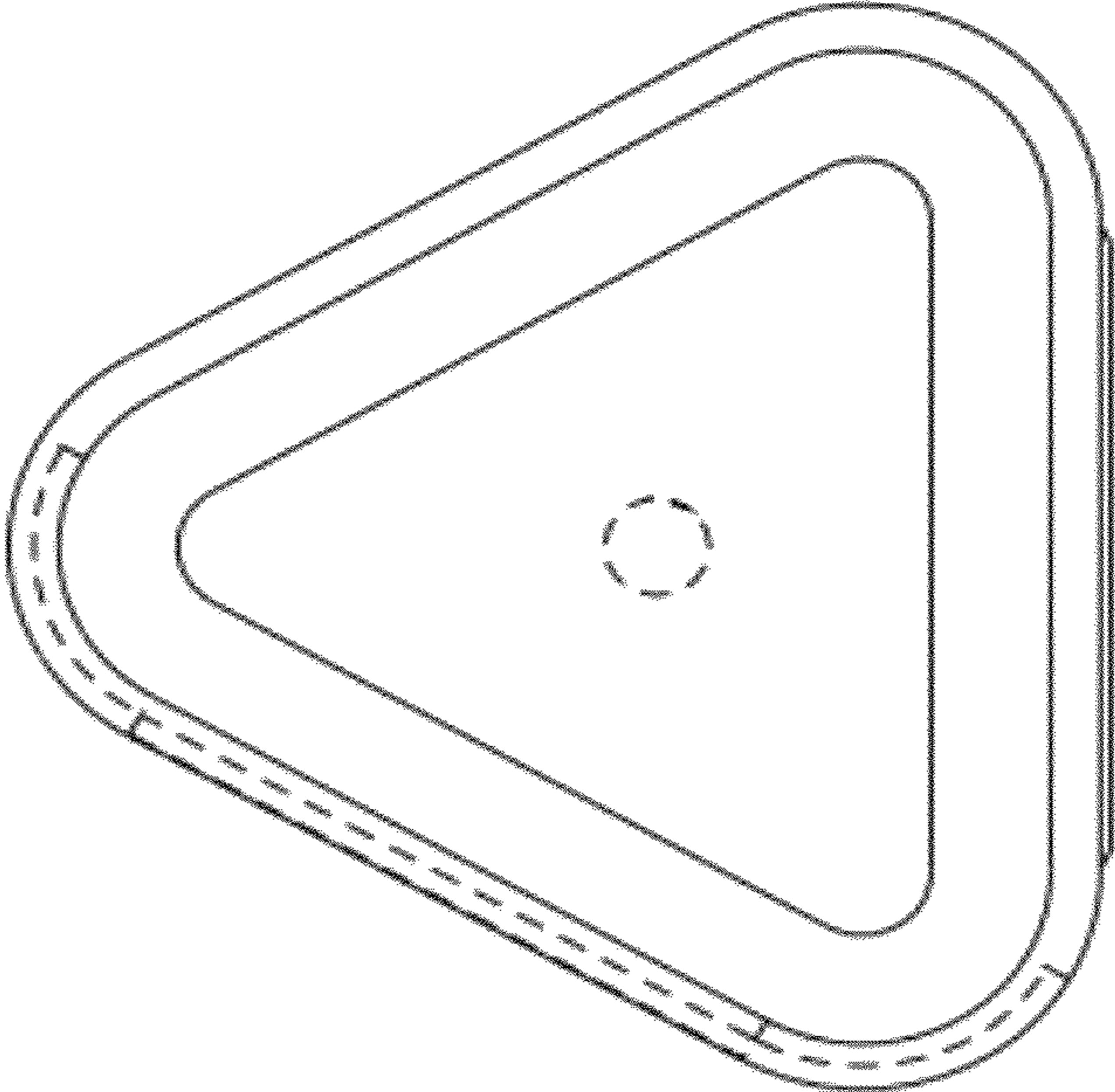


FIG. 3

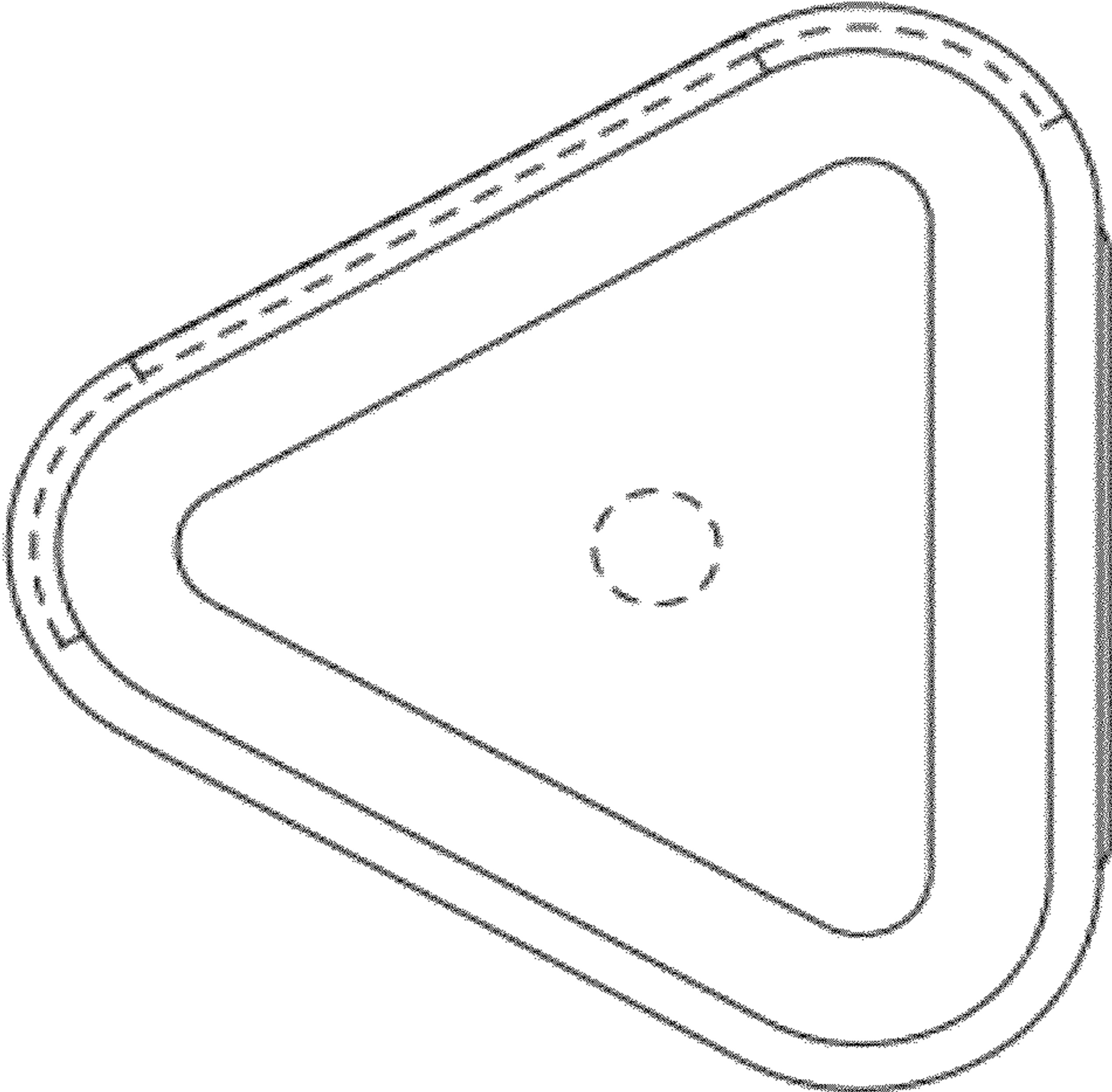


FIG. 5

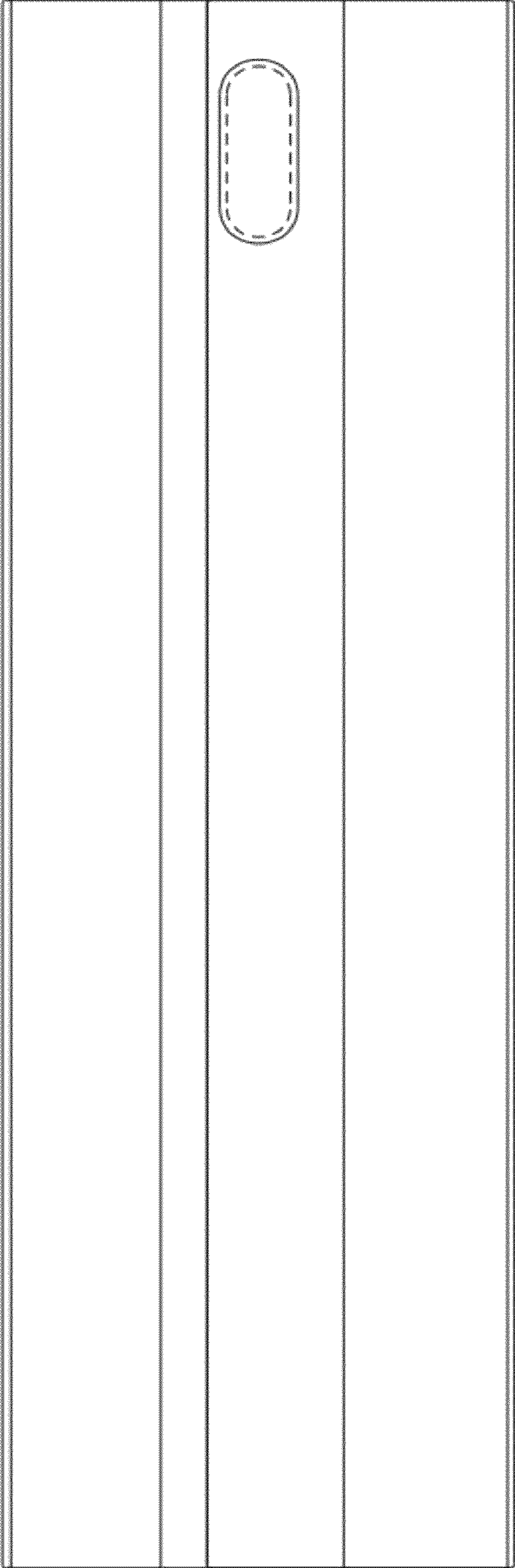
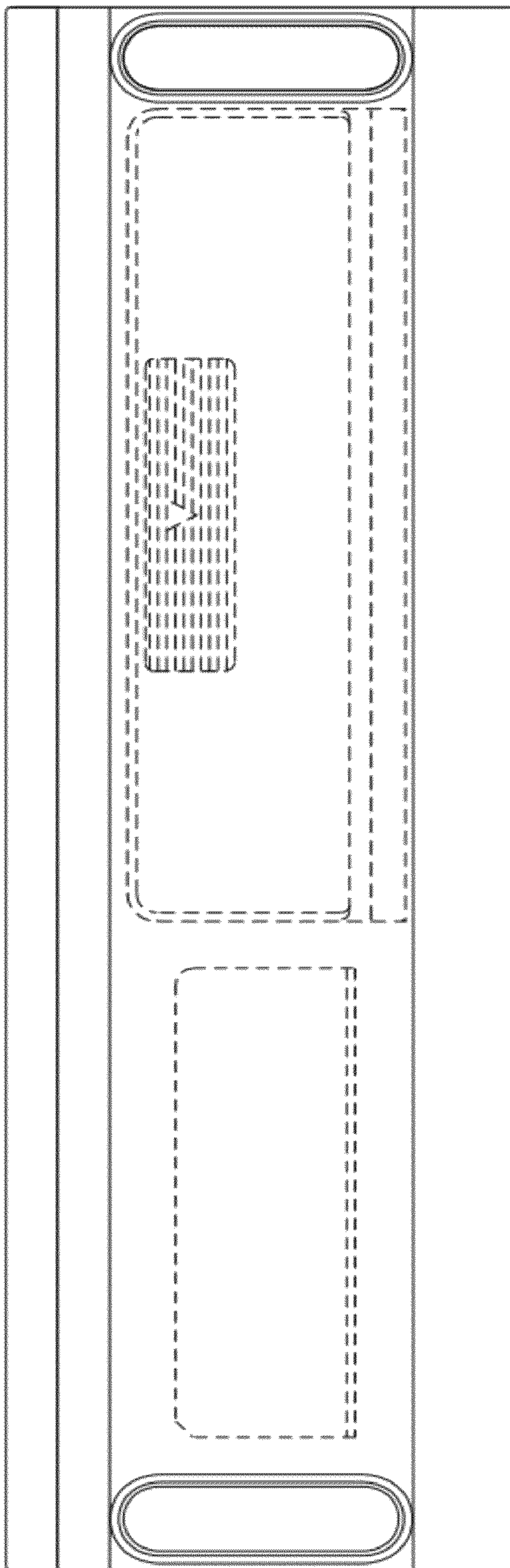


FIG. 6



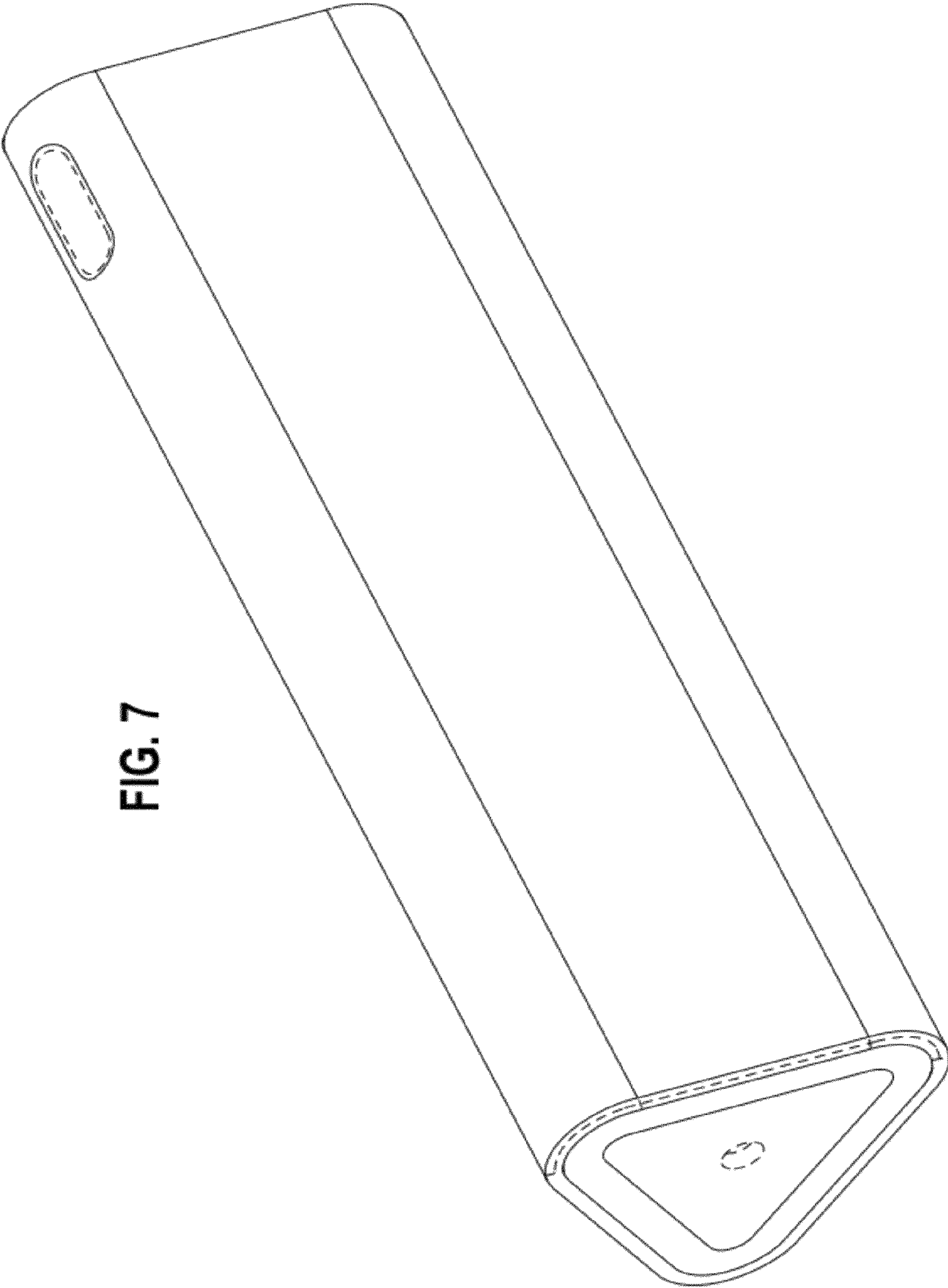


FIG. 7