



US00D663837S

(12) **United States Design Patent**
Becker et al.

(10) **Patent No.:** **US D663,837 S**
(45) **Date of Patent:** **** Jul. 17, 2012**

(54) **ENDOSCOPE**

(75) Inventors: **Wolfram Becker**, Laer (DE); **Peter Eisenkolb**, Tuttlingen (DE)

(73) Assignee: **Karl Storz GmbH & Co. KG**, Tuttlingen (DE)

(**) Term: **14 Years**

(21) Appl. No.: **29/402,966**

(22) Filed: **Sep. 29, 2011**

(30) **Foreign Application Priority Data**

Mar. 31, 2011 (EM) 001844184-0002

(51) **LOC (9) Cl.** **24-02**

(52) **U.S. Cl.** **D24/138**

(58) **Field of Classification Search** D24/138,
D24/137, 133; 600/101-183

See application file for complete search history.

(56) **References Cited**

U.S. PATENT DOCUMENTS

5,048,508	A *	9/1991	Storz	600/164
D459,475	S *	6/2002	Topala	D24/138
6,471,639	B2 *	10/2002	Rudischhauser et al.	600/128
D533,941	S *	12/2006	Furst et al.	D24/138
D534,276	S *	12/2006	Michel	D24/138
D548,340	S *	8/2007	Michel et al.	D24/138
D583,470	S *	12/2008	Kupferschmid	D24/138
D583,471	S *	12/2008	Kupferschmid	D24/138
D585,923	S *	2/2009	Berci	D16/130
D612,047	S *	3/2010	Nagele et al.	D24/138
D612,497	S *	3/2010	Berci	D24/138

D629,899 S * 12/2010 Meinero D24/138
2003/0107726 A1 * 6/2003 Hirt et al. 356/73.1

* cited by examiner

Primary Examiner — Bridget L Eland

(74) *Attorney, Agent, or Firm* — Muncy, Geissler, Olds & Lowe, PLLC

(57) **CLAIM**

The ornamental design for an endoscope, as shown and described.

DESCRIPTION

FIG. 1 is a left side elevation view of an endoscope according to a first embodiment of the present invention.

FIG. 2 is a right side elevational view of the endoscope of FIG. 1.

FIG. 3 is a front elevational view of the endoscope of FIG. 1.

FIG. 4 is a rear elevational view of the endoscope of FIG. 1.

FIG. 5 is a top plan view of the endoscope of FIG. 1.

FIG. 6 is a bottom plan view of the endoscope of FIG. 1.

FIG. 7 is a three quarter view of the endoscope of FIG. 1.

FIG. 8 is a left side elevation view of an endoscope according to a second embodiment of the present invention.

FIG. 9 is a right side elevational view of the endoscope of FIG. 8.

FIG. 10 is a front elevational view of the endoscope of FIG. 8.

FIG. 11 is a rear elevational view of the endoscope of FIG. 8.

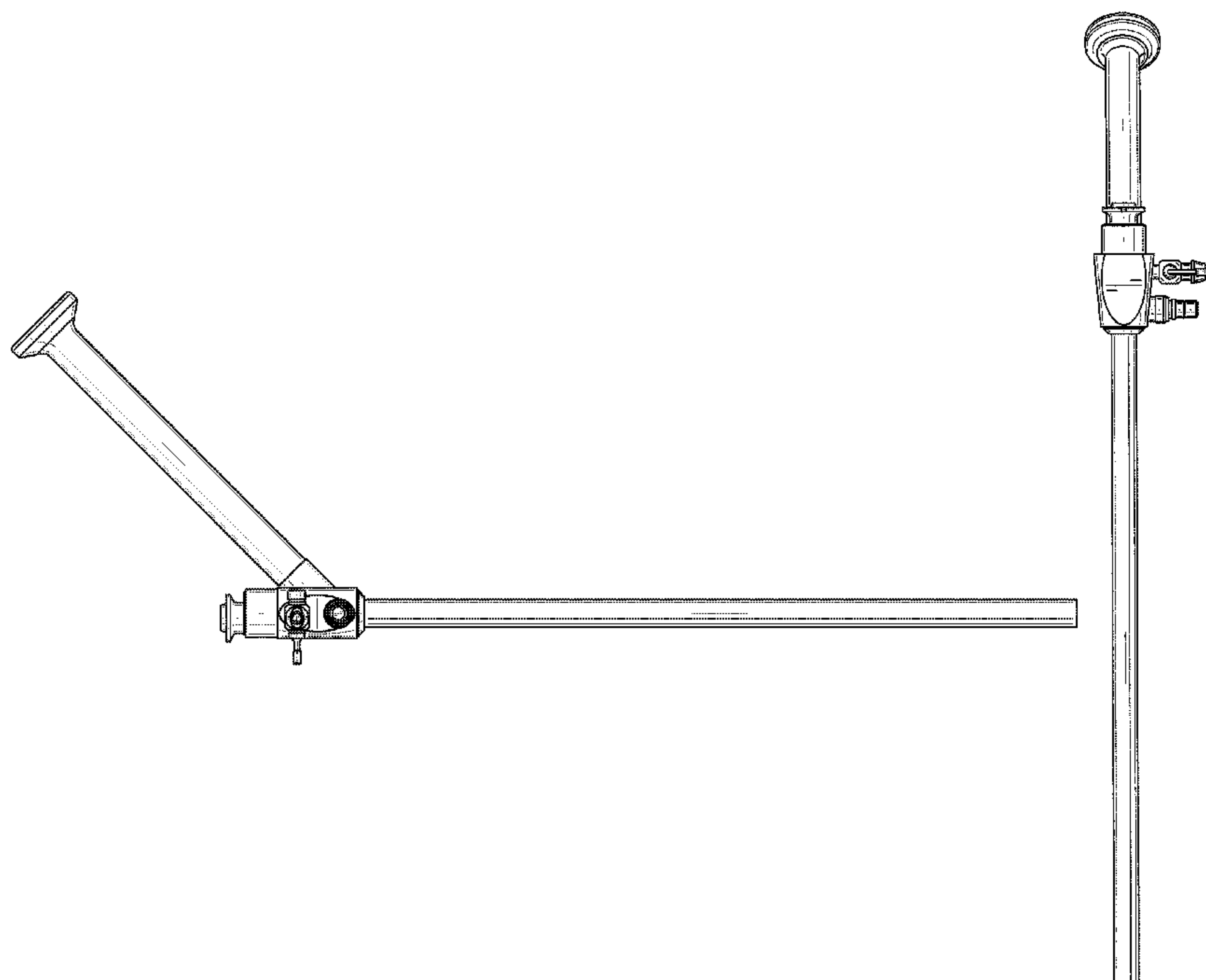
FIG. 12 is a top plan view of the endoscope of FIG. 8.

FIG. 13 is a bottom plan view of the endoscope of FIG. 8; and,

FIG. 14 is a three quarter view of the endoscope of FIG. 8.

The dashed lines illustrate environment that does not form a part of the present invention, and no claim is made to the material illustrated with dashed lines.

1 Claim, 10 Drawing Sheets



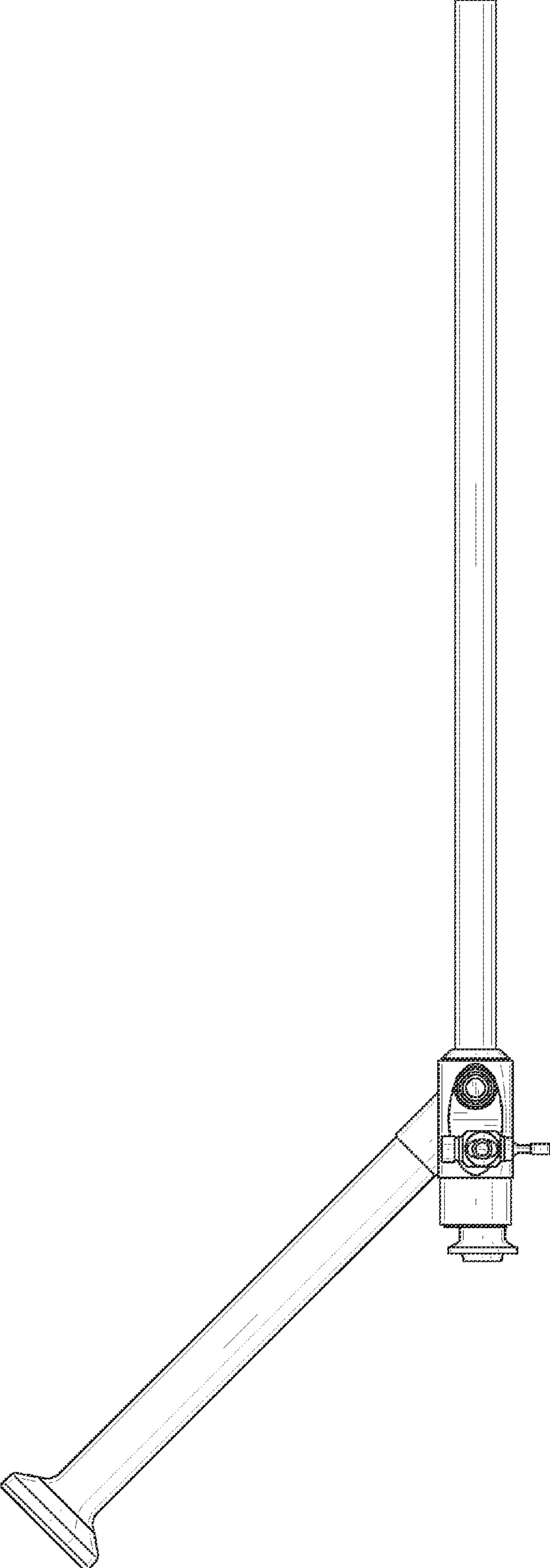


FIG. 1

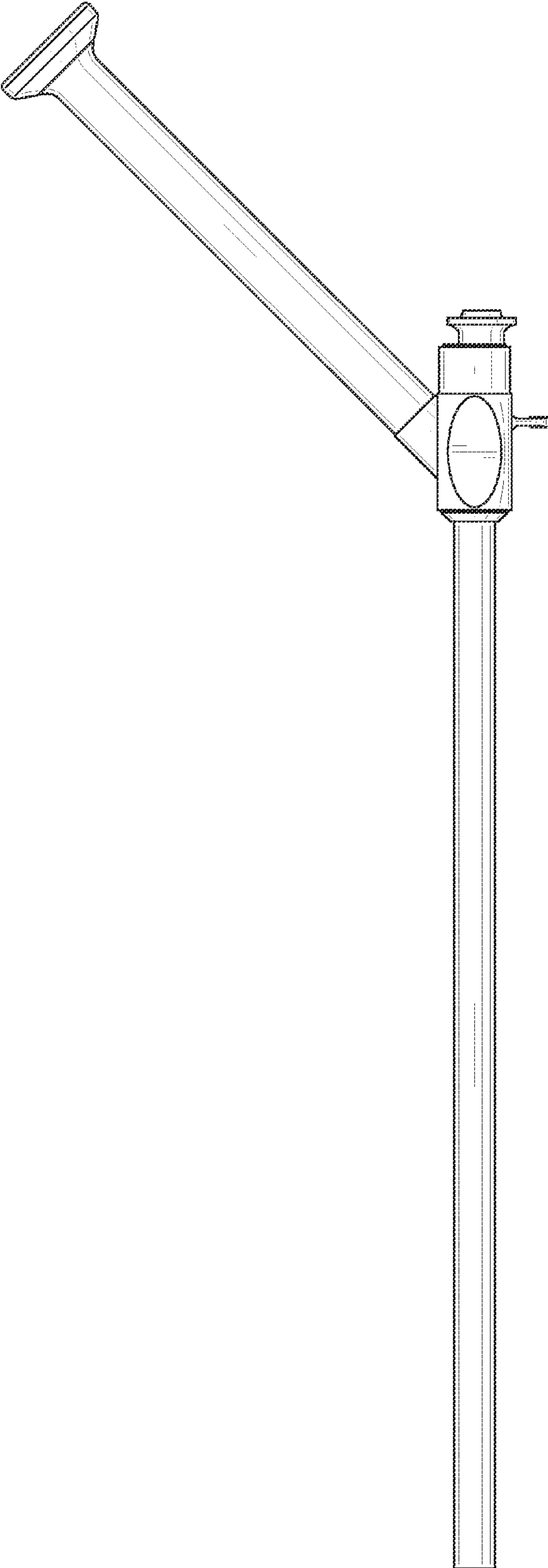


FIG. 2

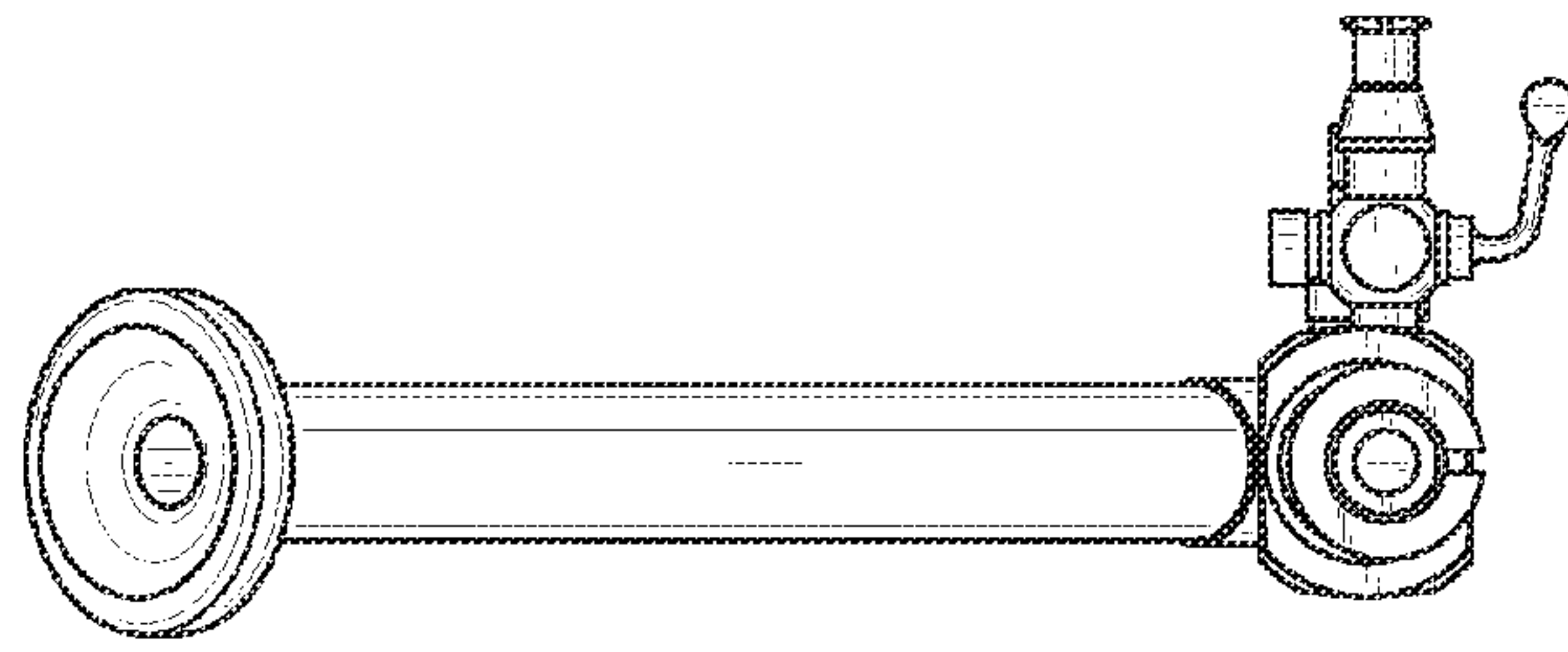


FIG. 4

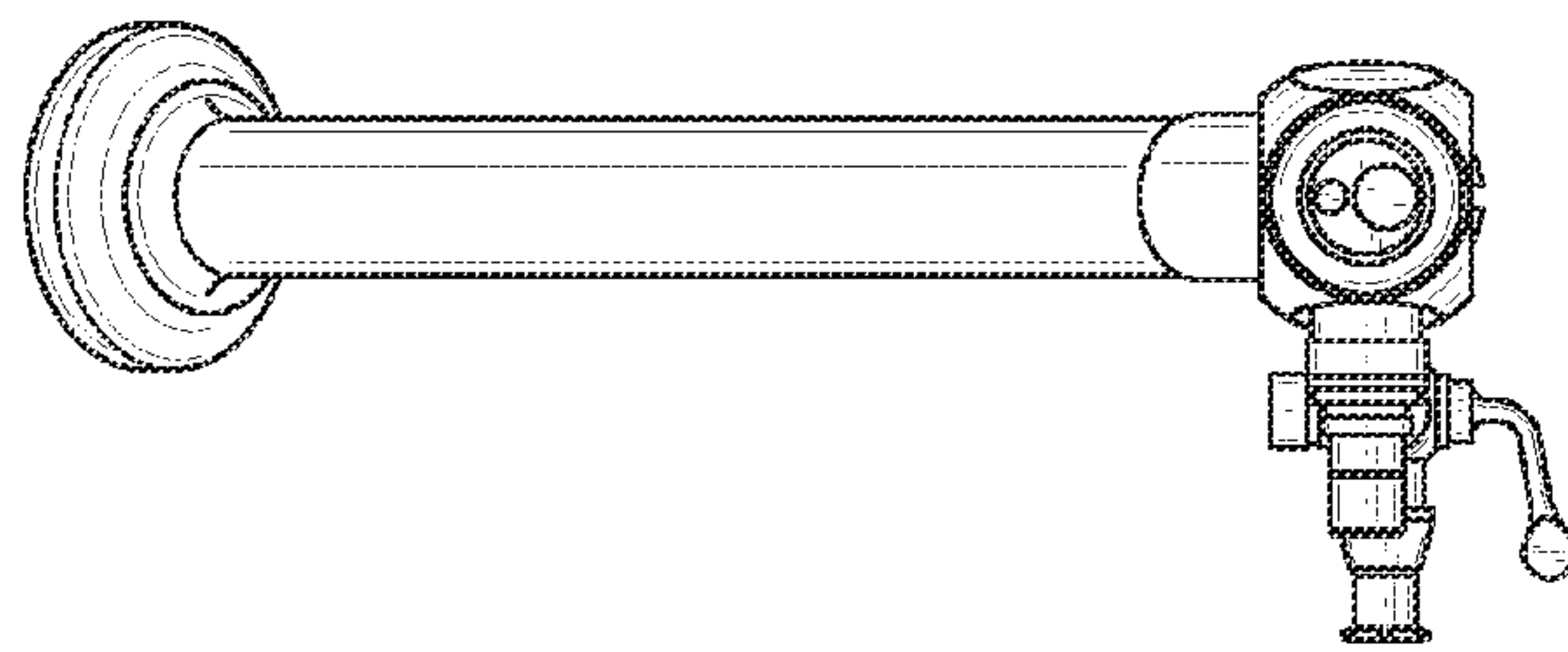


FIG. 3

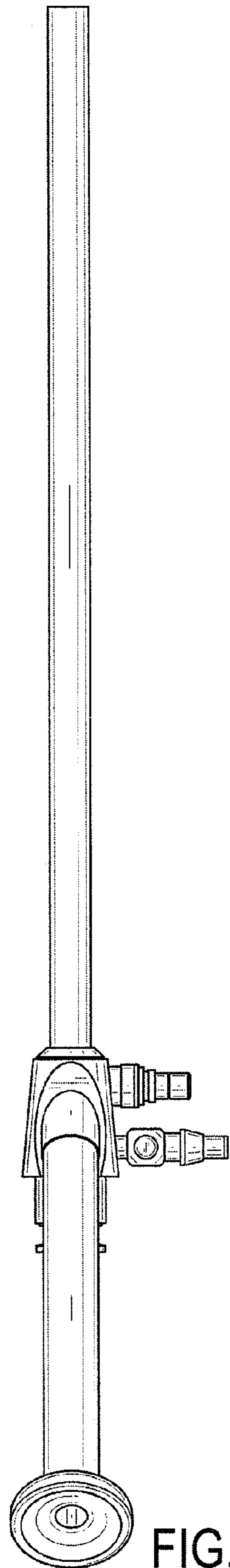


FIG. 5

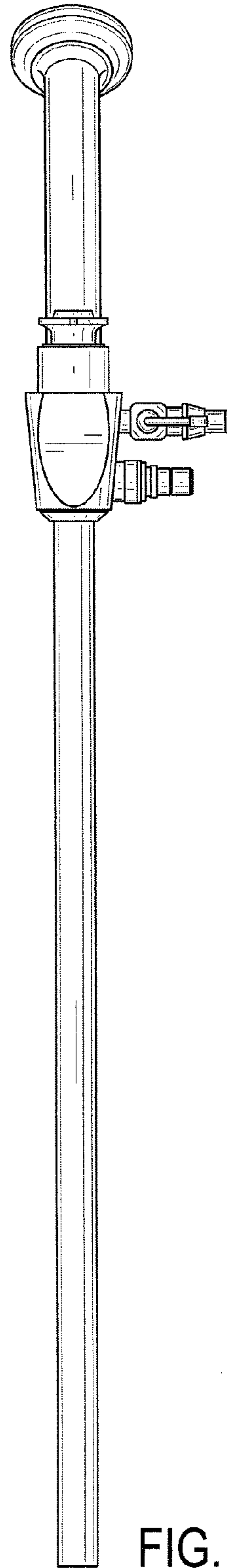


FIG. 6

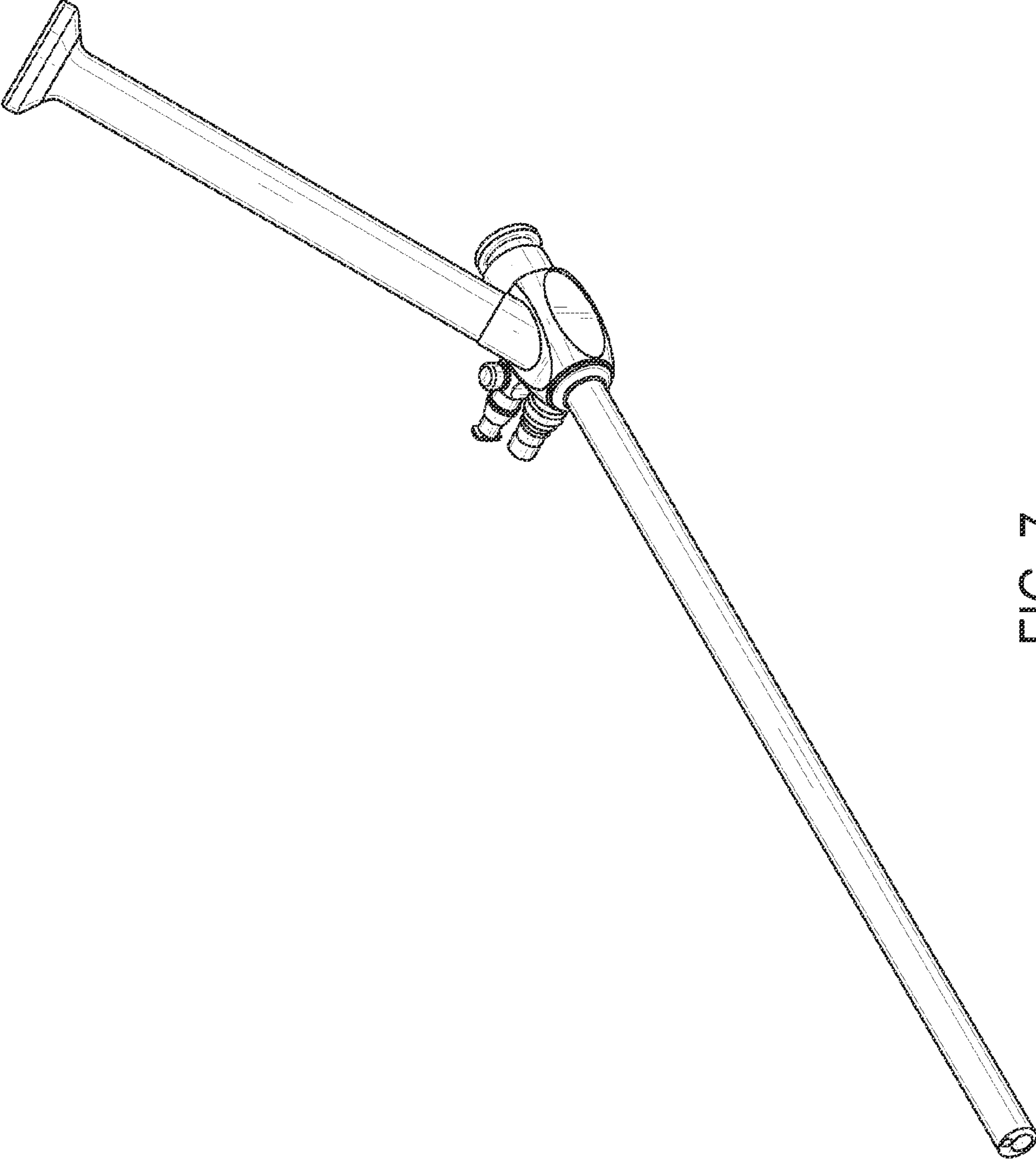


FIG. 7

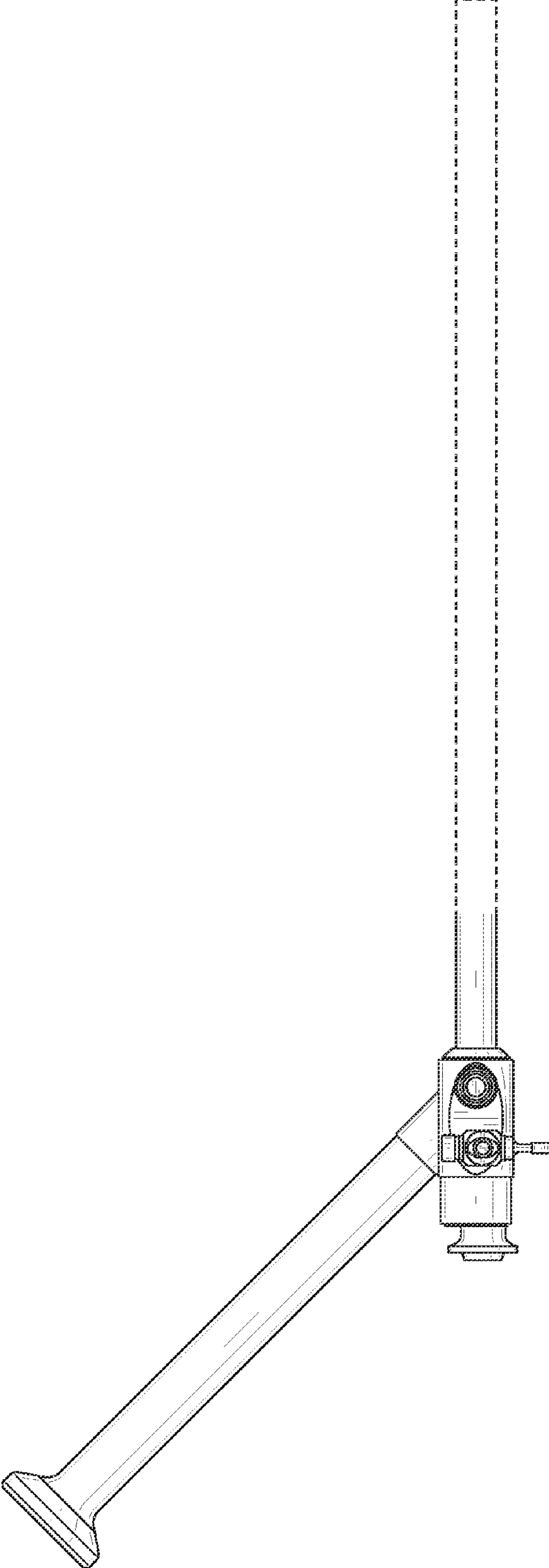


FIG. 8

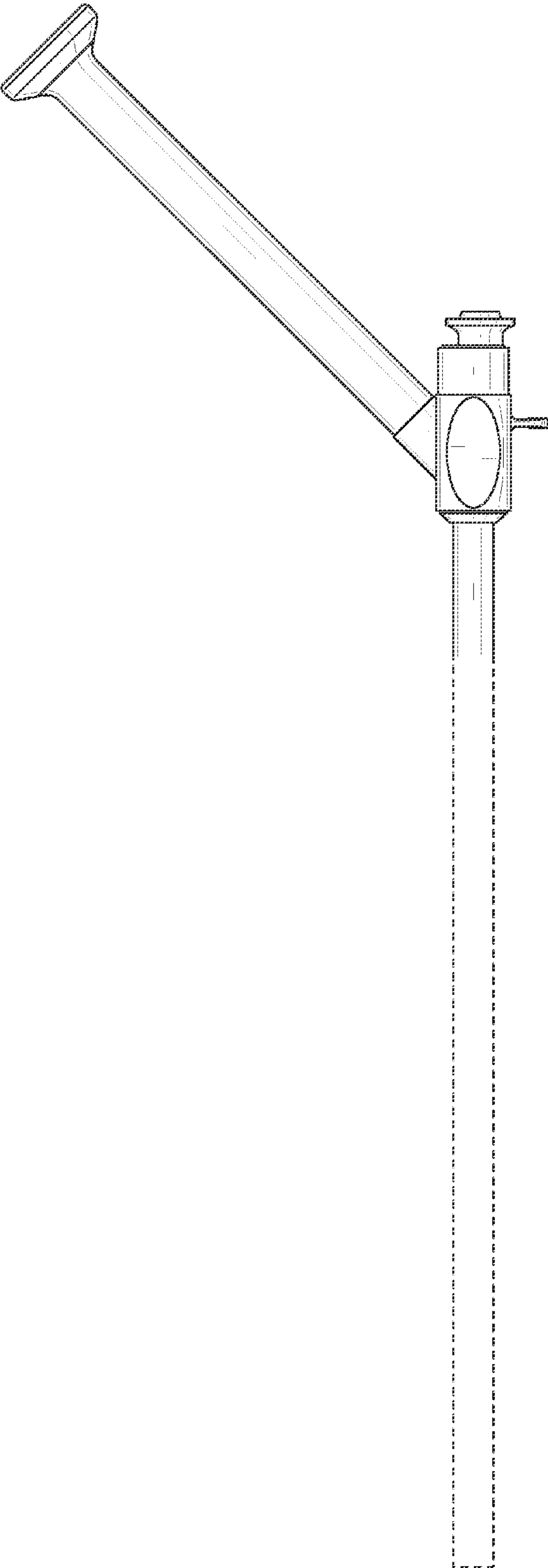


FIG. 9

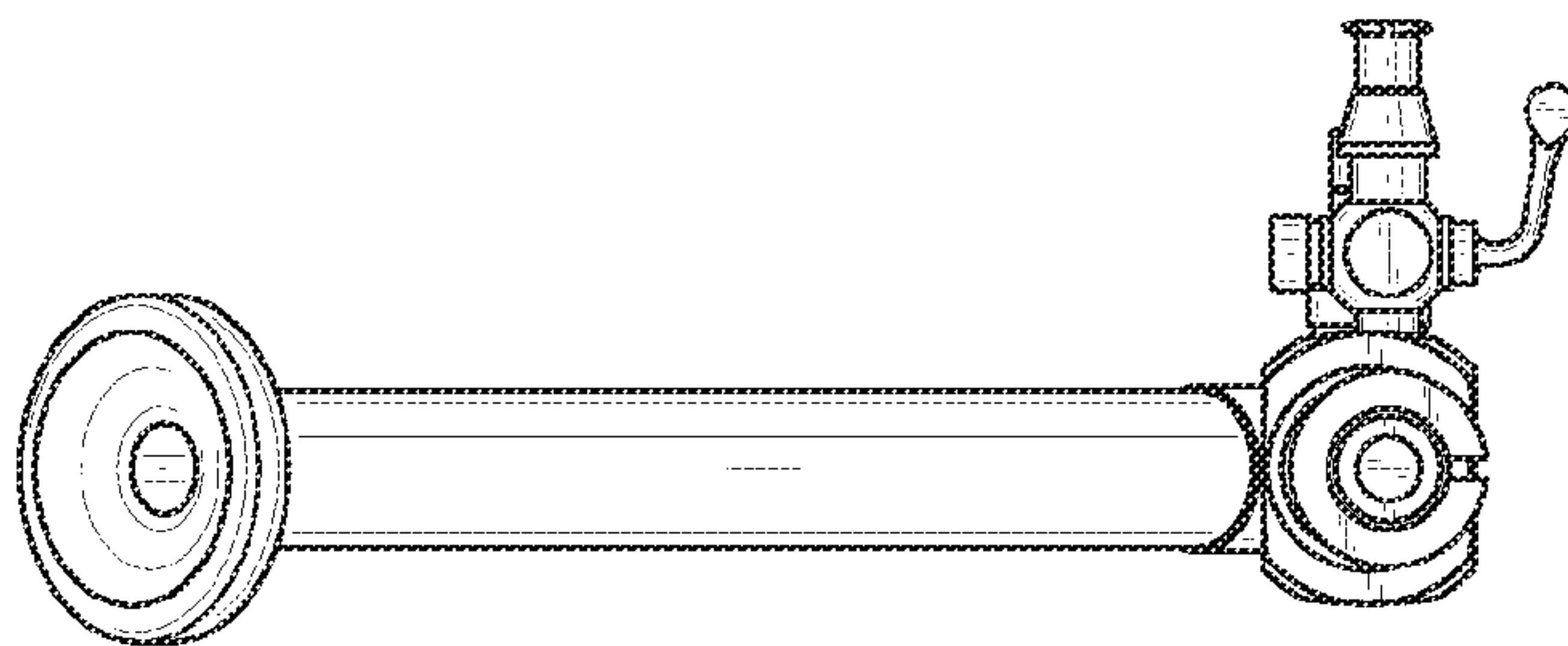


FIG. 11

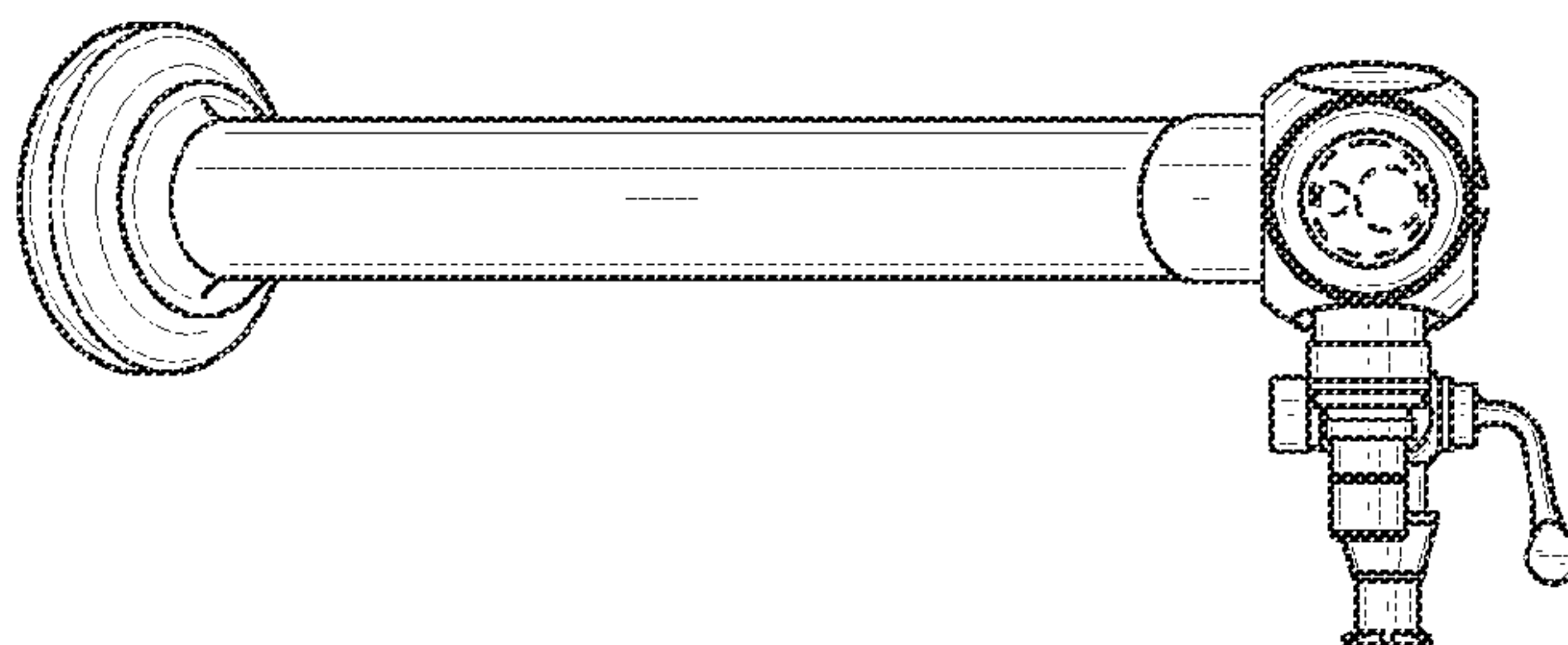


FIG. 10

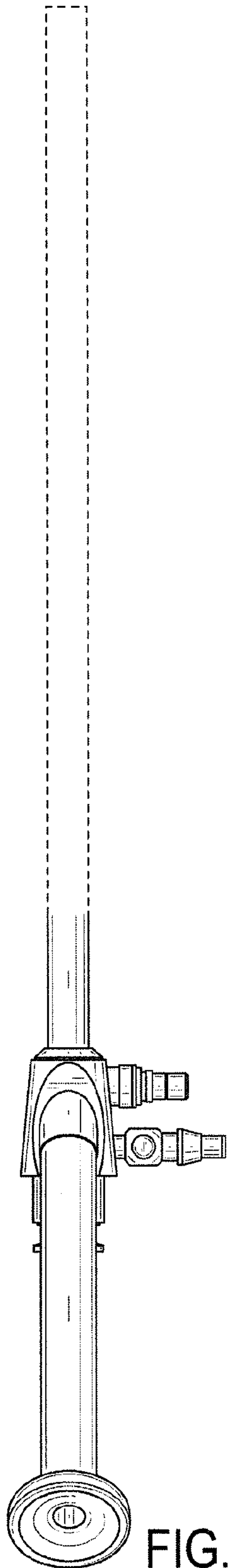


FIG. 12

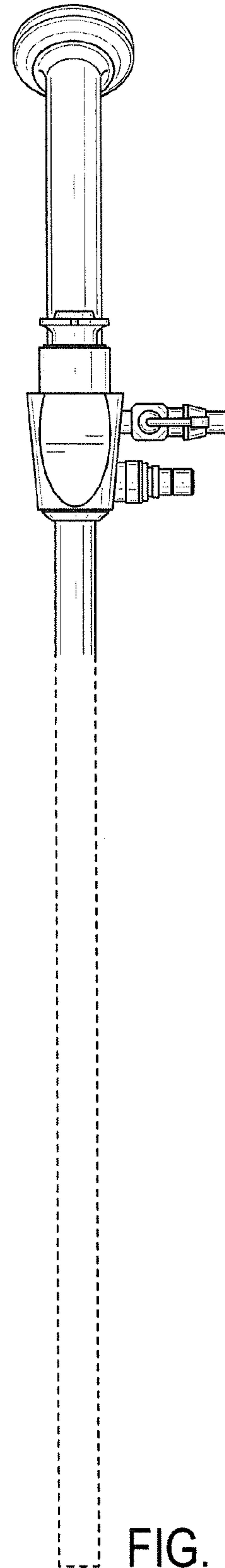


FIG. 13

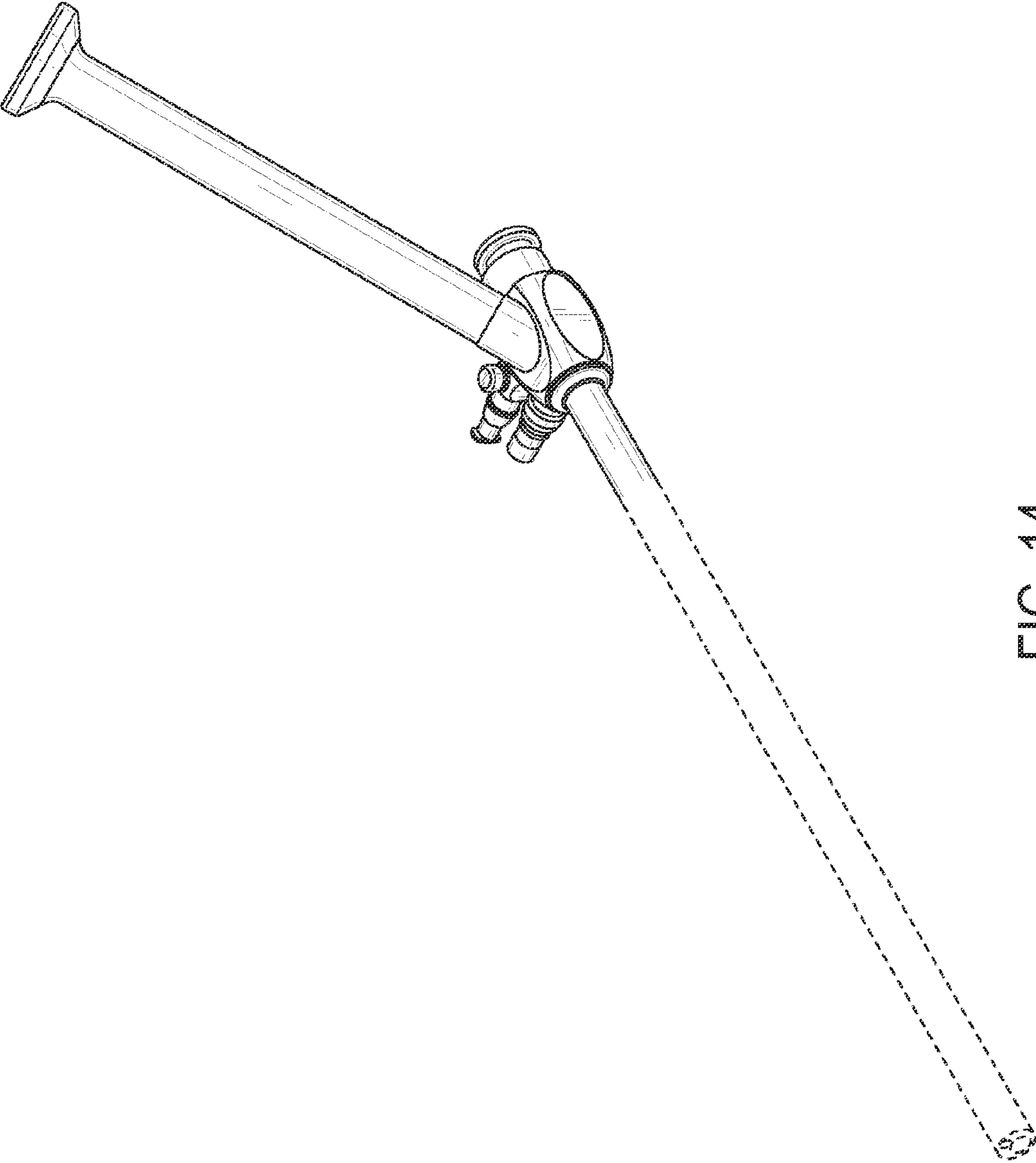


FIG. 14