



US00D663835S

(12) **United States Design Patent**
Besse et al.

(10) **Patent No.:** **US D663,835 S**
(45) **Date of Patent:** **** Jul. 17, 2012**

(54) **HANDLE FOR MEDICAL DEVICE**

(75) Inventors: **Regis Besse**, Guyancourt (FR); **Yann Thouement**, Les essarts le roi (FR)

(73) Assignee: **Karl Storz GmbH & Co. KG**, Tuttlingen (DE)

(**) Term: **14 Years**

(21) Appl. No.: **29/402,961**

(22) Filed: **Sep. 29, 2011**

(30) **Foreign Application Priority Data**

Mar. 31, 2011 (EM) 001844184-0006

(51) **LOC (9) Cl.** **24-02**

(52) **U.S. Cl.** **D24/133**

(58) **Field of Classification Search** D24/133, D24/137, 138, 143, 144, 145, 146, 147, 148, D24/149; D8/51, 57, 107; 606/1, 130, 139, 606/148, 174, 175, 205; 600/104
See application file for complete search history.

(56) **References Cited**

U.S. PATENT DOCUMENTS

D403,767 S *	1/1999	Croley	D24/133
D424,694 S *	5/2000	Tetzlaff et al.	D24/143
D505,725 S *	5/2005	Karl-Heinz	D24/146
D557,415 S *	12/2007	Bacher et al.	D24/133
D562,450 S *	2/2008	Wehrstein et al.	D24/133
D580,548 S *	11/2008	Mouret	D24/133
D624,646 S *	9/2010	Peschke et al.	D24/133

D625,009 S *	10/2010	Bogazzi et al.	D24/145
D629,101 S *	12/2010	Bogazzi	D24/145
D632,785 S *	2/2011	Risoli	D24/133
D654,587 S *	2/2012	Bacher	D24/133
2006/0004406 A1 *	1/2006	Wehrstein et al.	606/205
2011/0270234 A1 *	11/2011	White et al.	606/1

FOREIGN PATENT DOCUMENTS

GB 2085724 * 10/1999

* cited by examiner

Primary Examiner — Bridget L Eland

(74) *Attorney, Agent, or Firm* — Muncy, Geissler, Olds & Lowe, PLLC

(57) **CLAIM**

The ornamental design for a handle for medical device, as shown and described.

DESCRIPTION

FIG. 1 is a left side elevation view of a handle for medical device according to the present invention.

FIG. 2 is a right side elevational view of the handle for medical device of FIG. 1.

FIG. 3 is a front elevational view of the handle for medical device of FIG. 1.

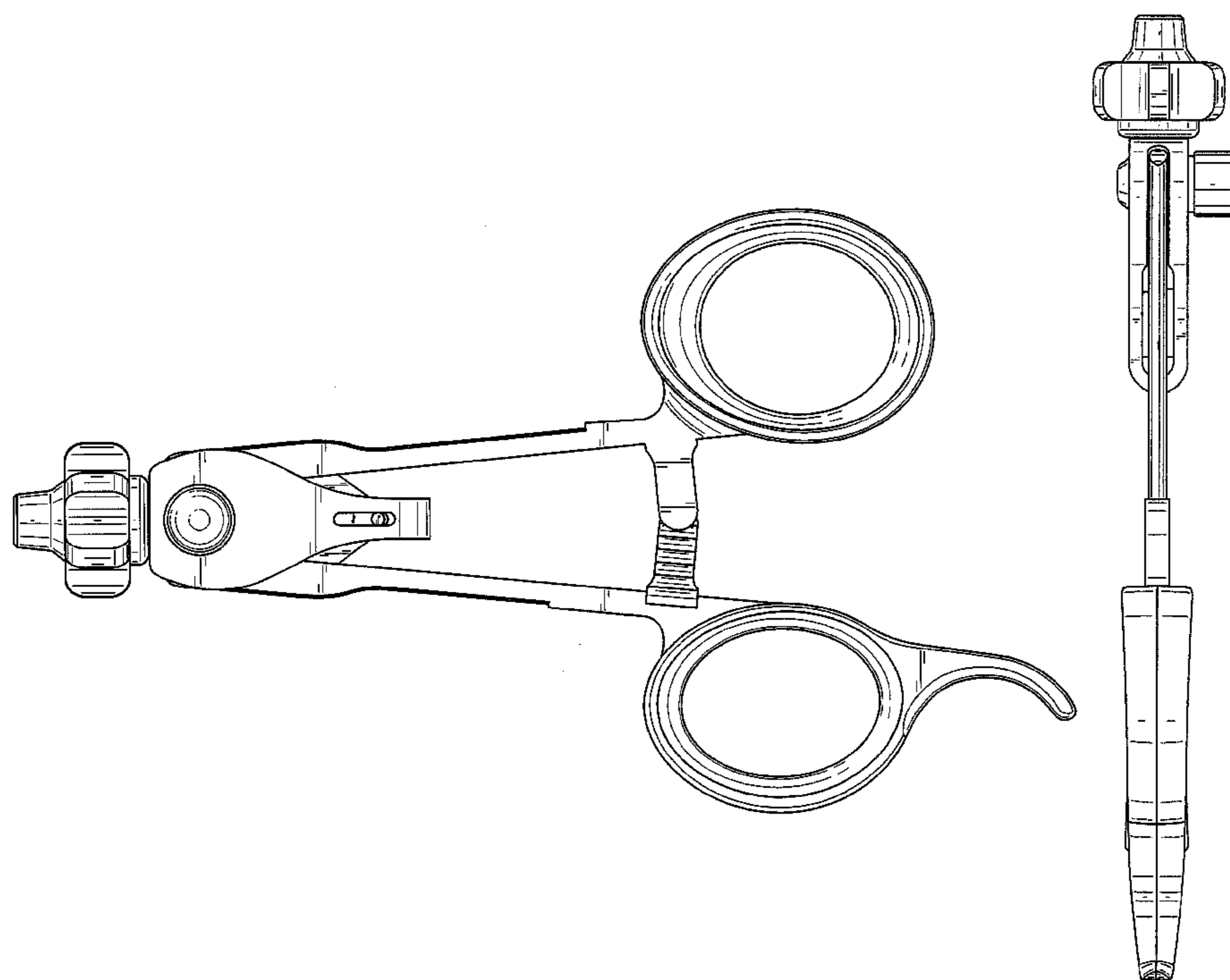
FIG. 4 is a rear elevational view of the handle for medical device of FIG. 1.

FIG. 5 is a top plan view of the handle for medical device of FIG. 1.

FIG. 6 is a bottom plan view of the handle for medical device of FIG. 1; and,

FIG. 7 is a three quarter view of the handle for medical device of FIG. 1.

1 Claim, 7 Drawing Sheets



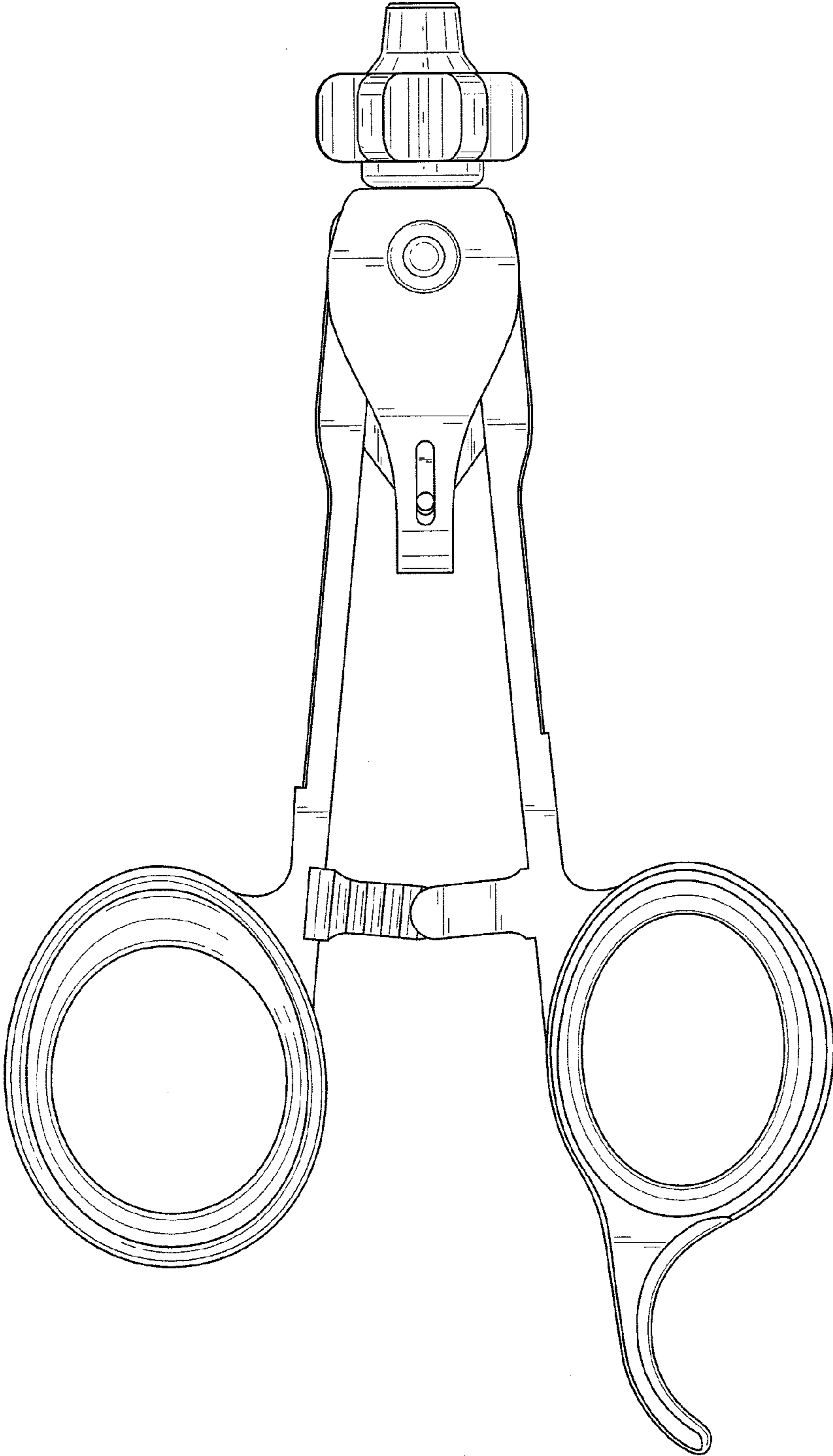


FIG. 1

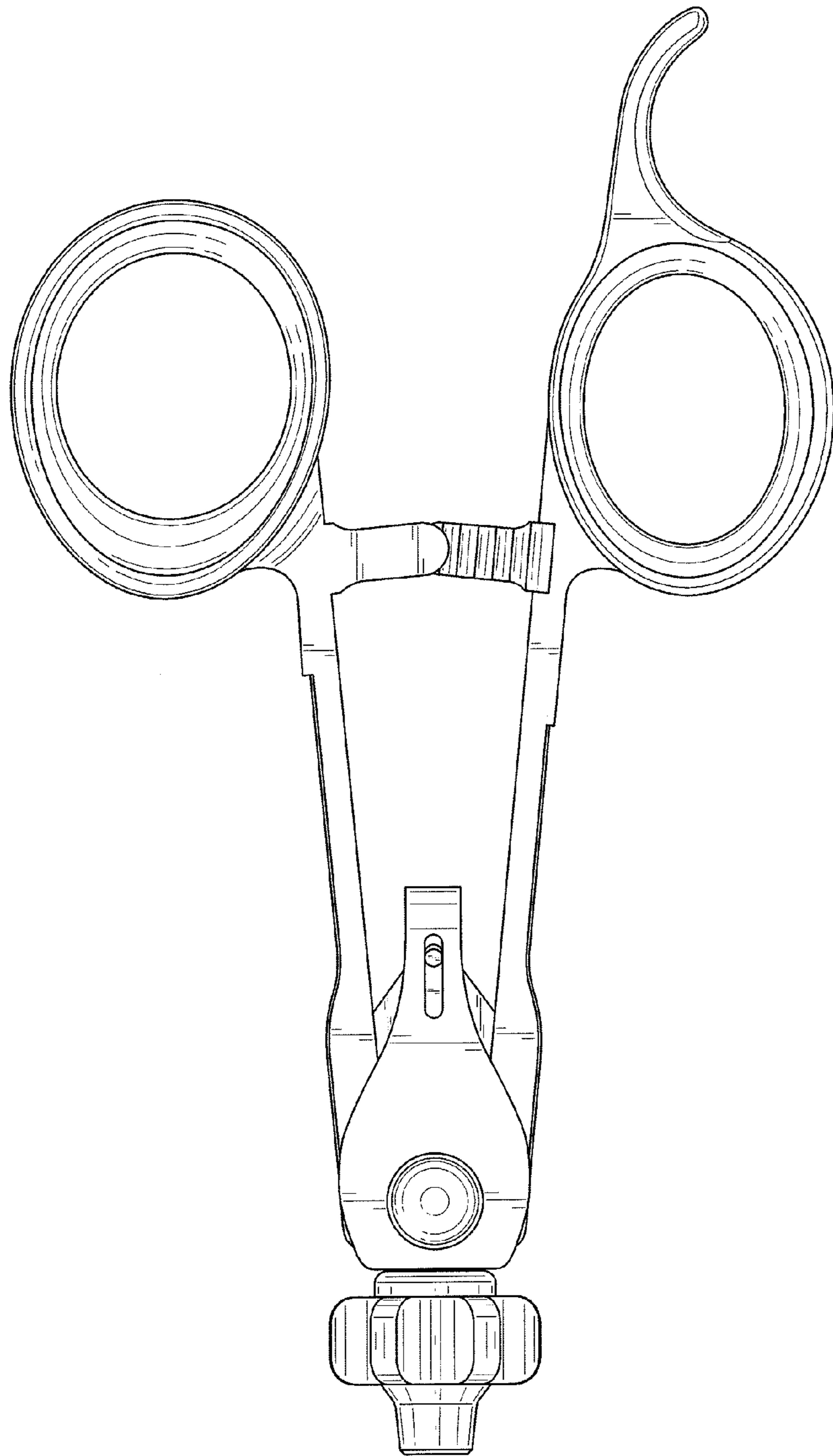


FIG. 2

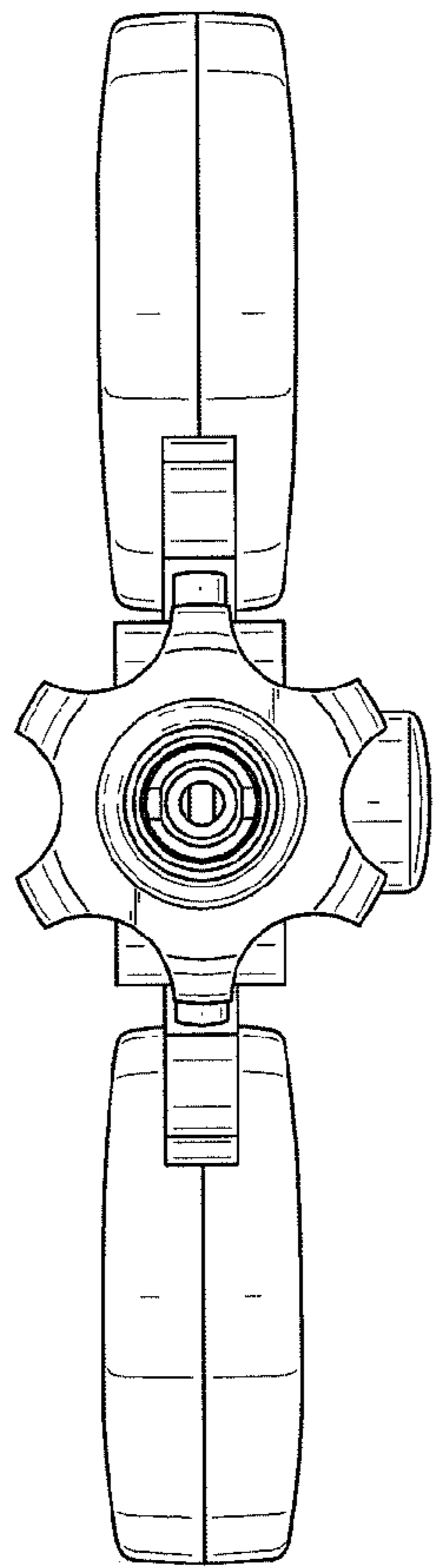


FIG. 3

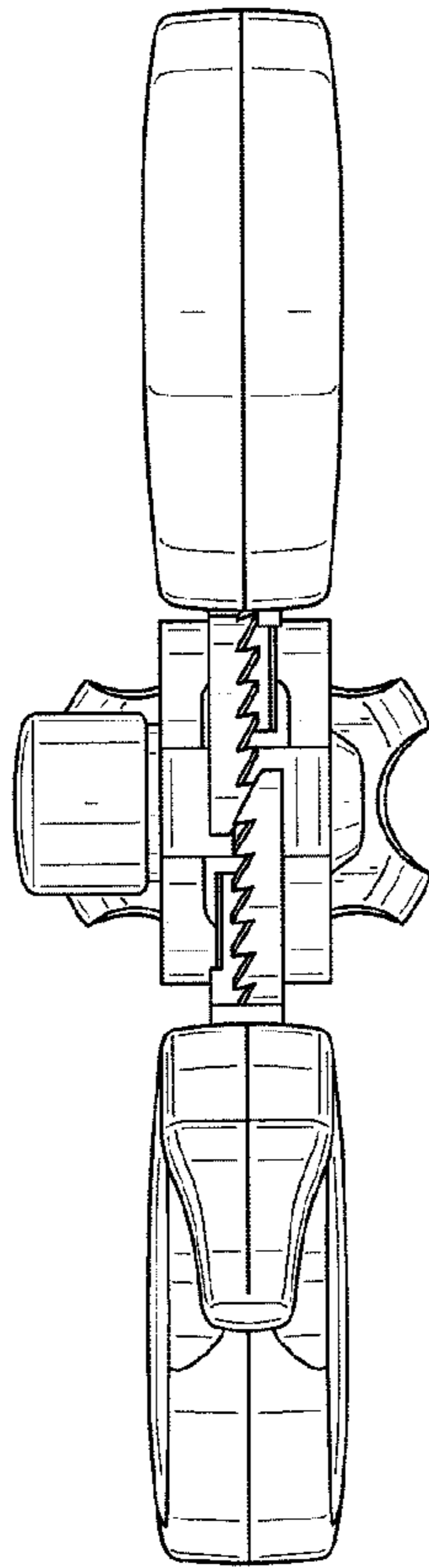


FIG. 4

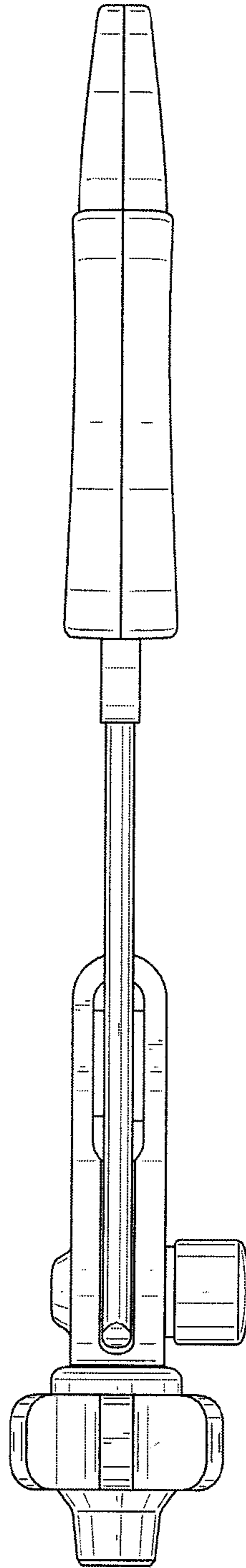


FIG. 5

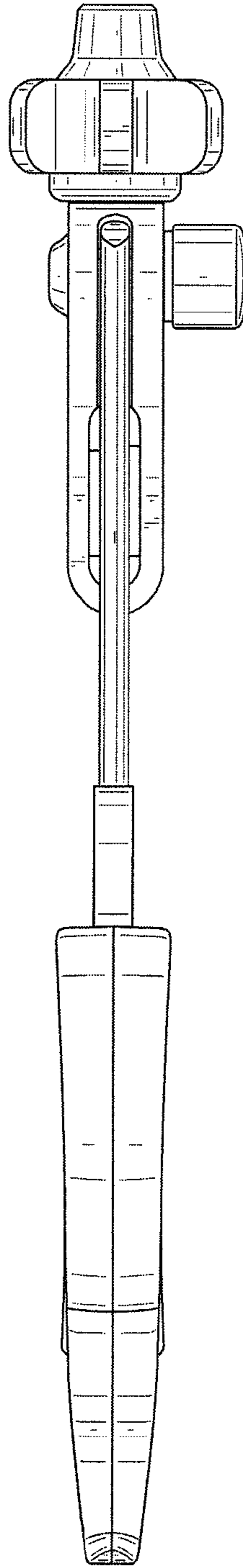


FIG. 6

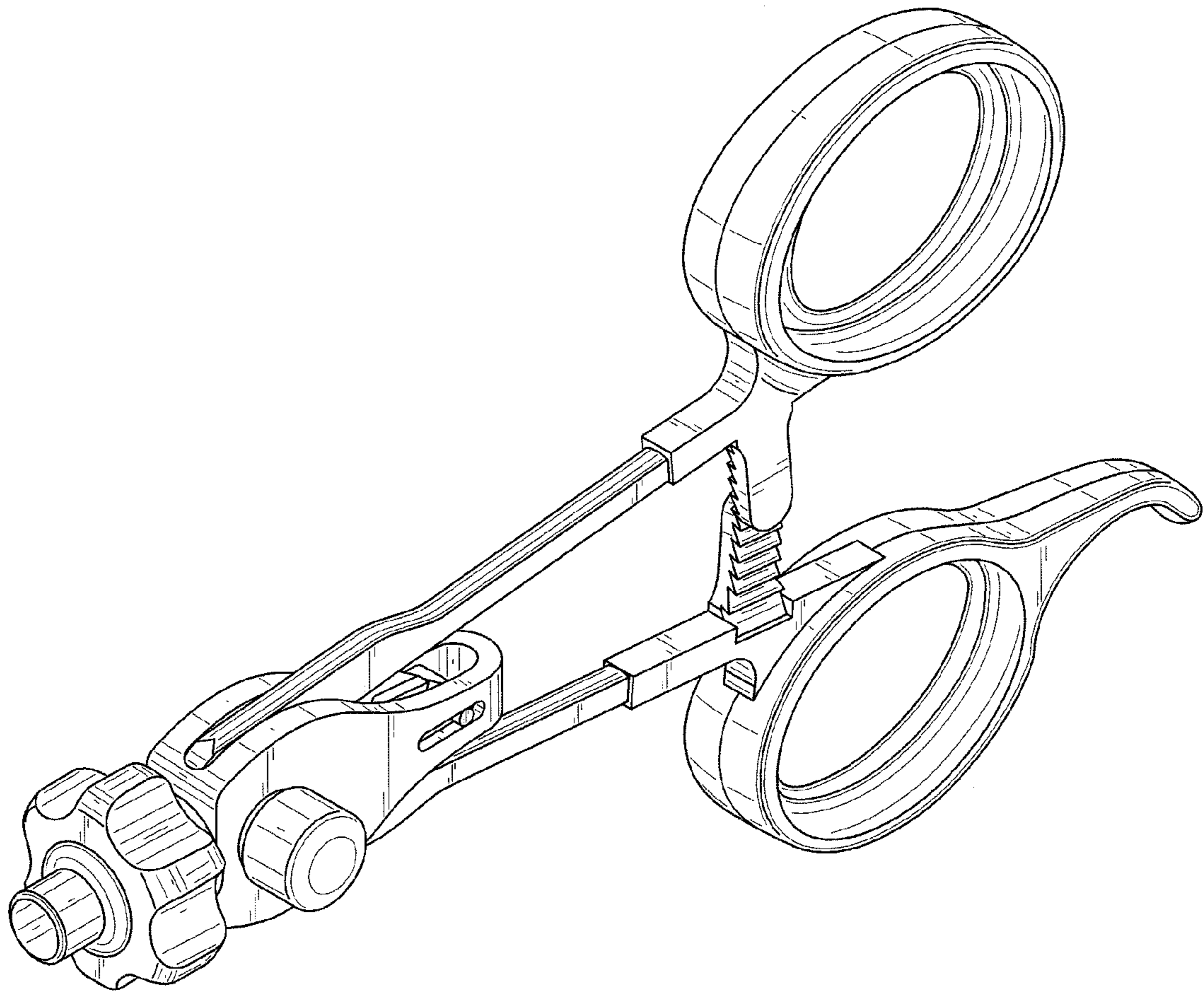


FIG. 7