

US00D663830S

(12) **United States Design Patent**  
**Sears**

(10) **Patent No.:** **US D663,830 S**

(45) **Date of Patent:** **\*\* Jul. 17, 2012**

(54) **INHALER**

(75) **Inventor:** **Charles W. Sears**, Boxford, MA (US)

(73) **Assignee:** **IVAX International BV**, Utrecht (NL)

(\*\*) **Term:** **14 Years**

(21) **Appl. No.:** **29/365,410**

(22) **Filed:** **Jul. 8, 2010**

(30) **Foreign Application Priority Data**

Jan. 8, 2010 (EM) ..... 001188742-0001

(51) **LOC (9) Cl.** ..... **29-02**

(52) **U.S. Cl.** ..... **D24/110**

(58) **Field of Classification Search** ..... D24/110;  
128/200.14, 200.23, 203.15, 204.21, 205.23

See application file for complete search history.

(56) **References Cited**

**U.S. PATENT DOCUMENTS**

D311,443	S	10/1990	Long	
5,855,307	A	1/1999	Biddick	
D416,998	S *	11/1999	Hodson et al. ....	D24/110
D433,502	S	11/2000	Rand	
6,164,275	A	12/2000	Van Iderstine	
D461,239	S	8/2002	Cassidy	
D475,133	S	5/2003	McLuckie	
6,752,145	B1	6/2004	Bonney	

6,805,116	B2	10/2004	Hodson	
D511,208	S *	11/2005	Pardonge et al. ....	D24/110
D529,605	S	10/2006	Huxham	
D537,936	S *	3/2007	Cox et al. ....	D24/110
D556,896	S	12/2007	Logan	
D571,001	S	6/2008	Warby	
D573,251	S *	7/2008	Pentafragas ....	D24/110
D610,249	S	2/2010	Robinson	
2005/0005930	A1 *	1/2005	Rubel ....	128/200.23

\* cited by examiner

*Primary Examiner* — Ian Simmons

*Assistant Examiner* — Christopher Lee

(74) *Attorney, Agent, or Firm* — Christensen O'Connor Johnson Kindness PLLC

(57) **CLAIM**

The ornamental design for an inhaler, as shown and described.

**DESCRIPTION**

FIG. 1 is an isometric view of an inhaler showing my new design;

FIG. 2 is a left side elevational view thereof;

FIG. 3 is a front elevational view thereof;

FIG. 4 is a right side elevational view thereof;

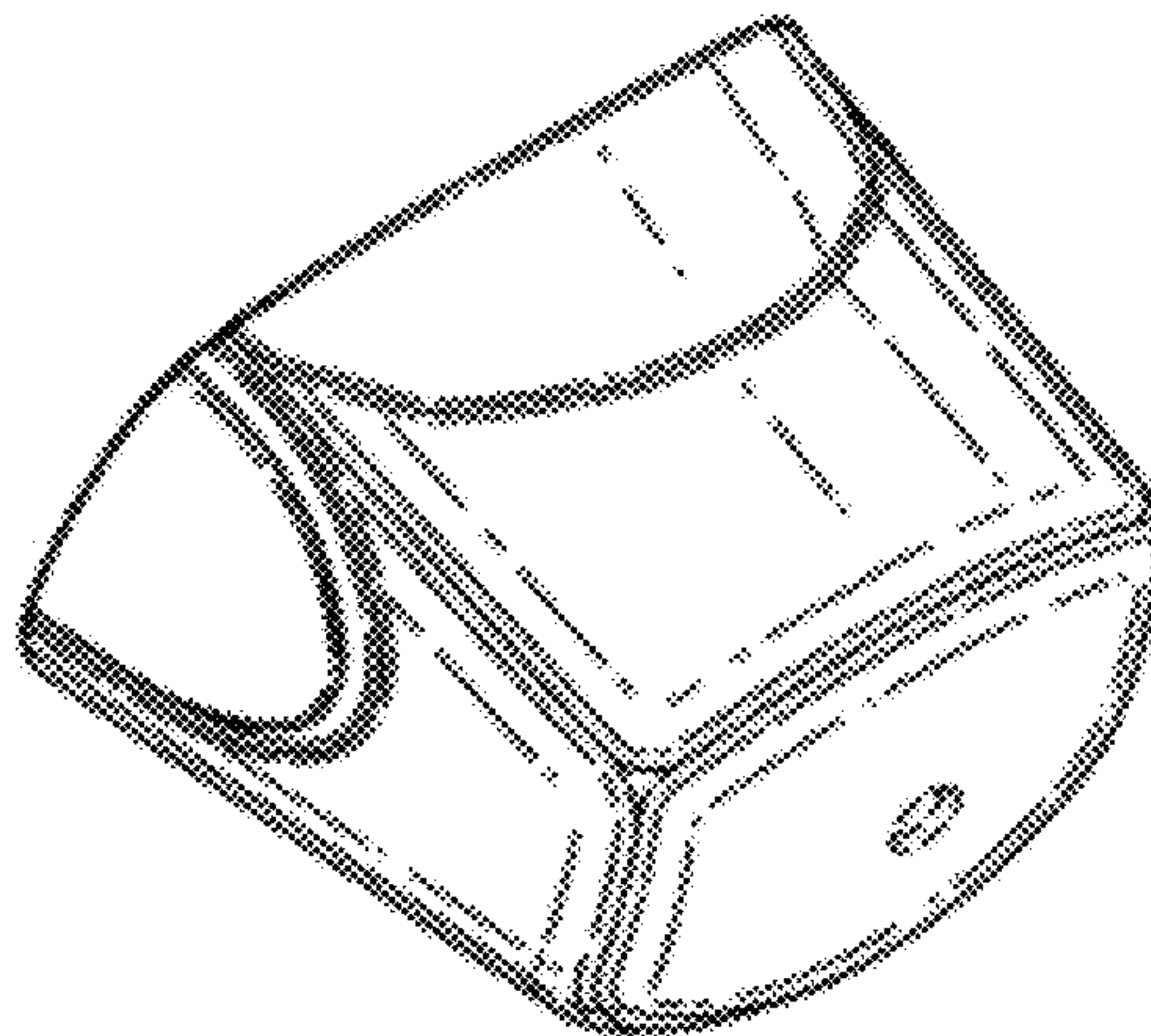
FIG. 5 is a rear elevational view thereof;

FIG. 6 is a bottom view thereof; and,

FIG. 7 is a top view.

The broken lines illustrate environmental structure of the inhaler, which forms no part of the claimed design.

**1 Claim, 1 Drawing Sheet**



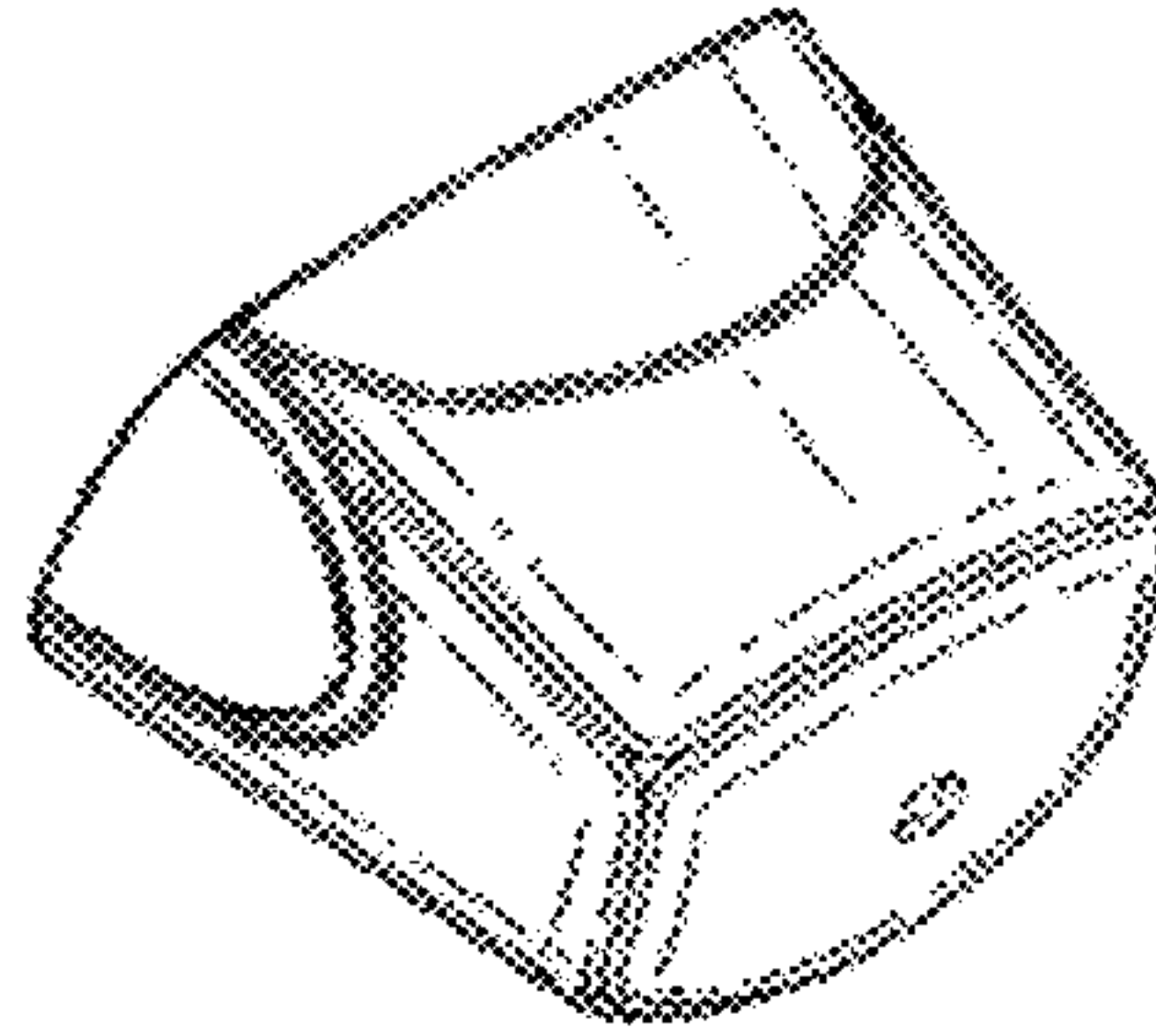


FIG. 1

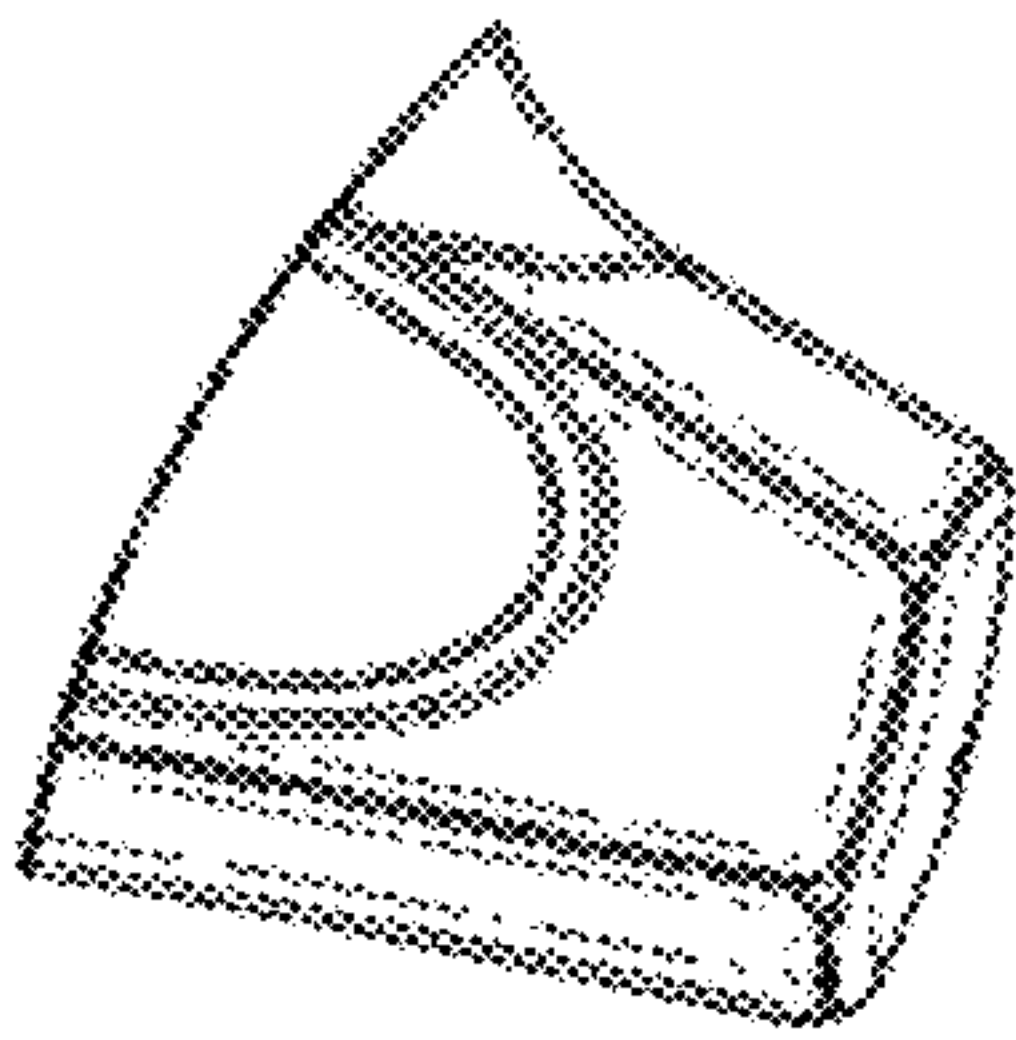


FIG. 2

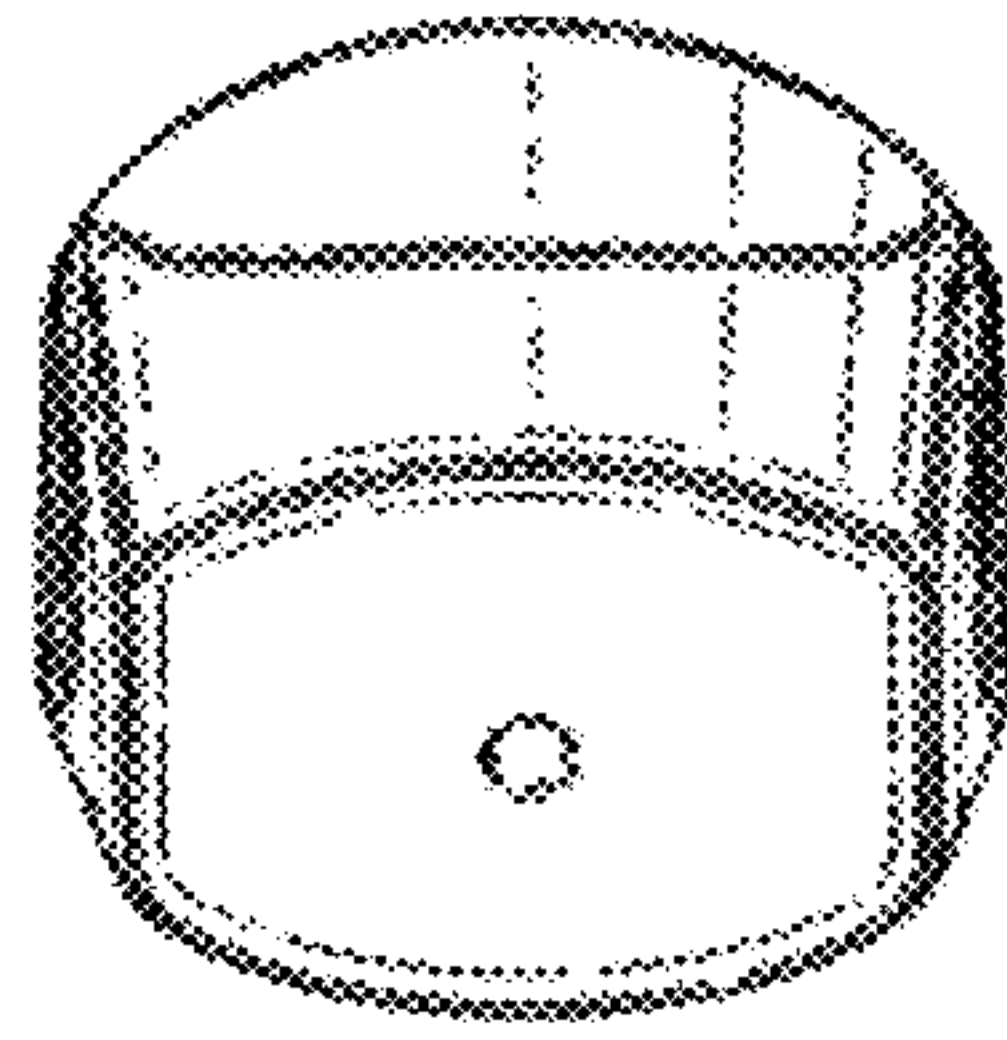


FIG. 3

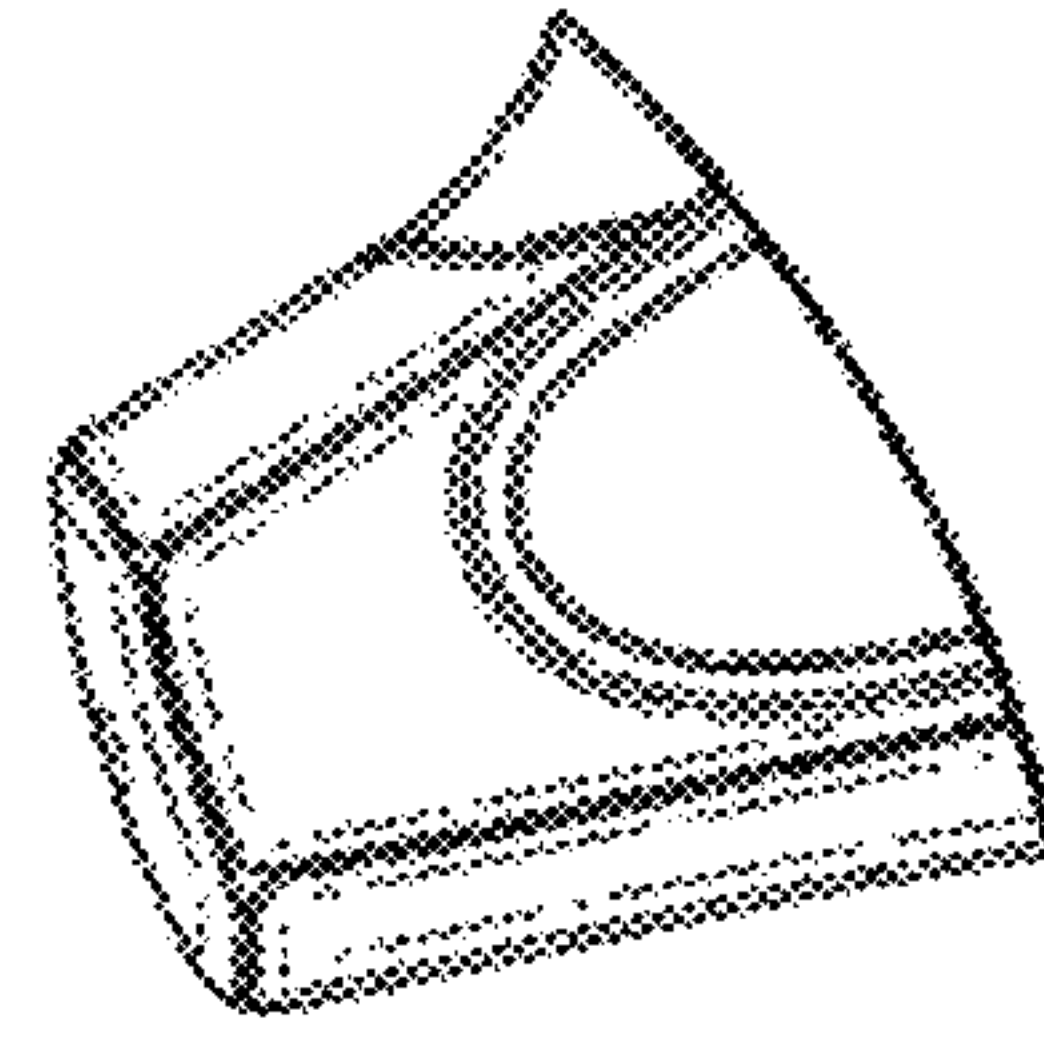


FIG. 4

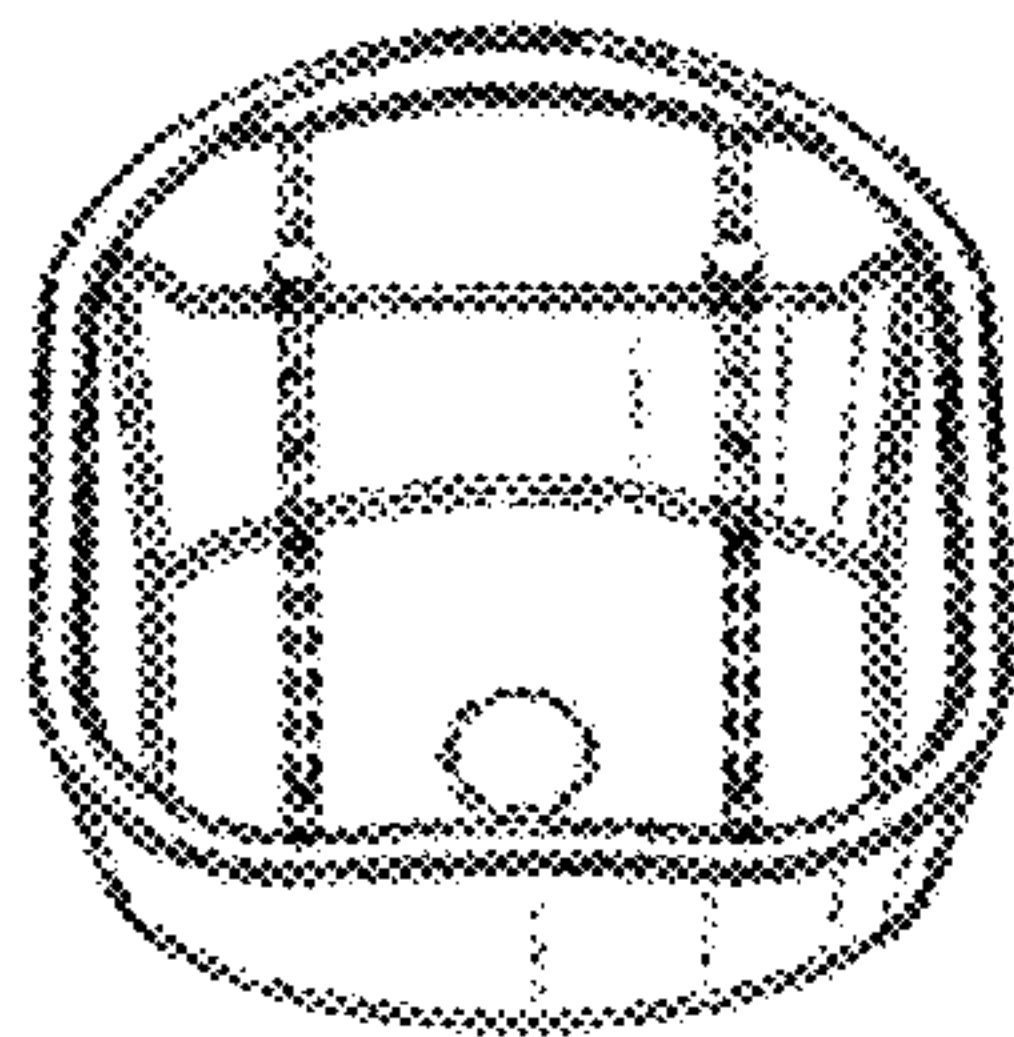


FIG. 5

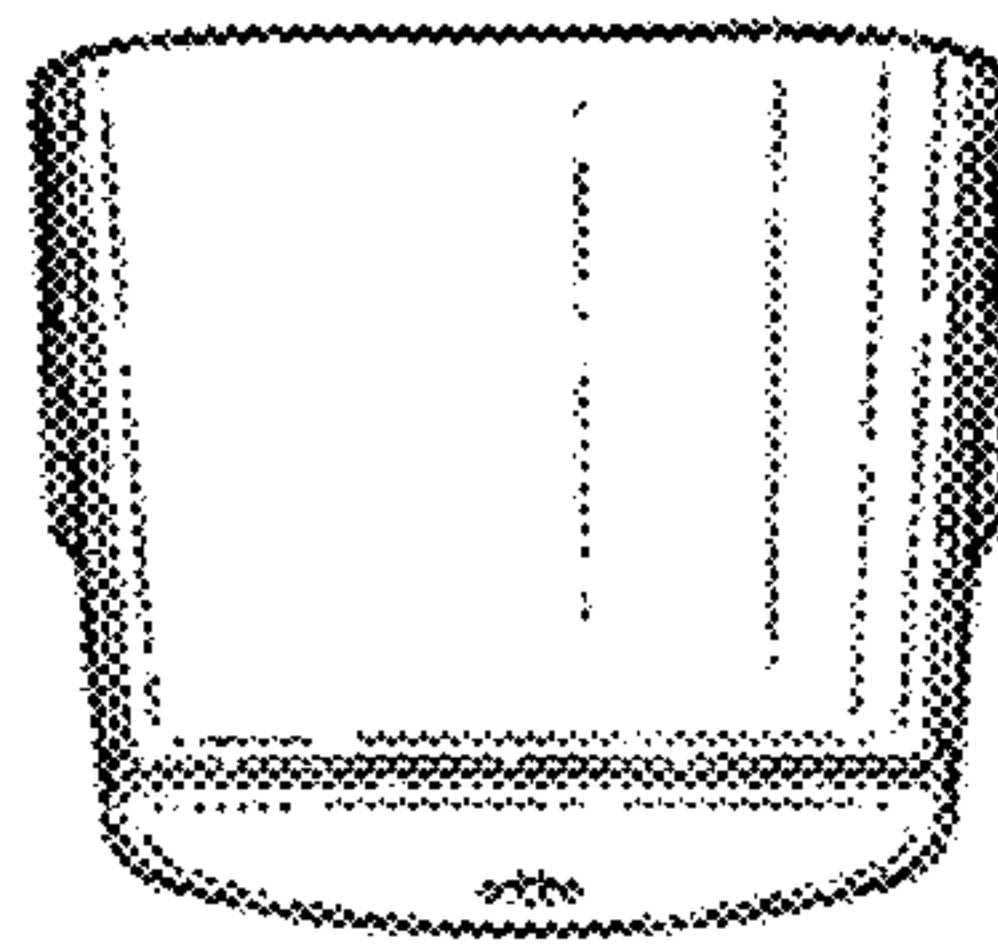


FIG. 6

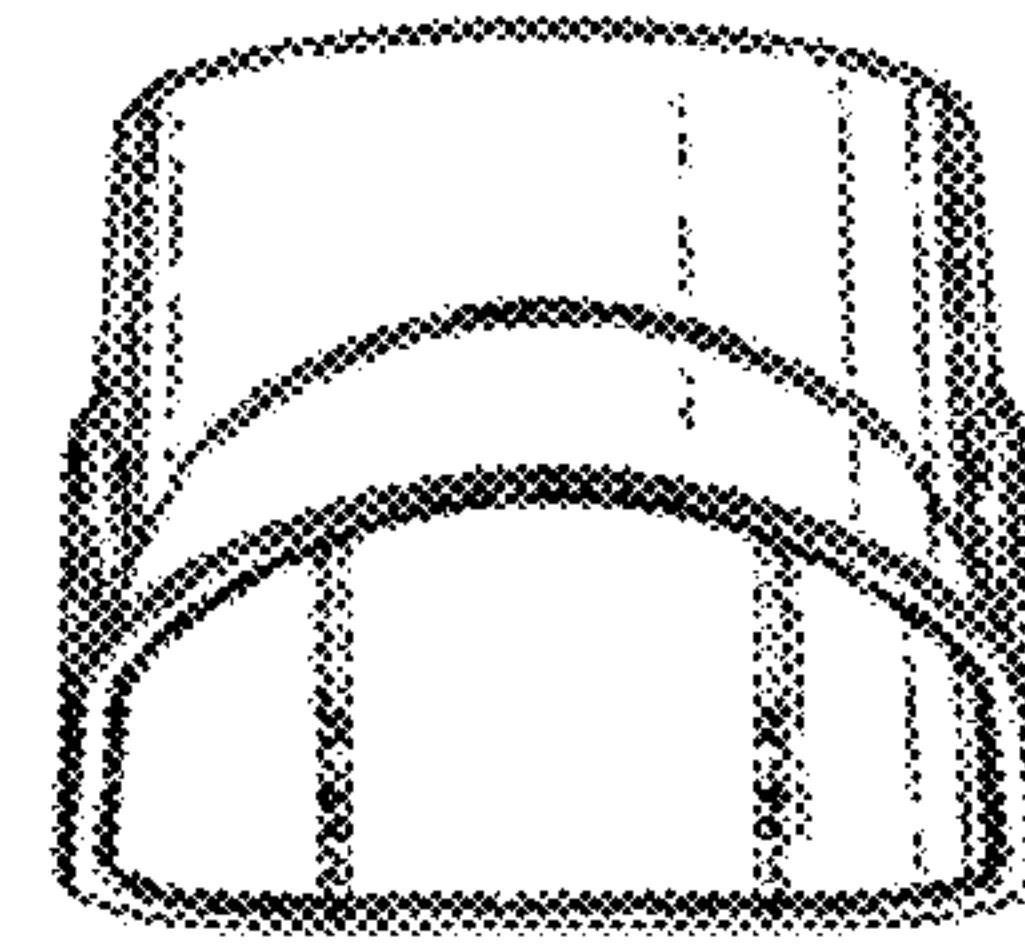


FIG. 7