



US00D663828S

(12) **United States Design Patent**
Portillo

(10) **Patent No.:** **US D663,828 S**

(45) **Date of Patent:** **** Jul. 17, 2012**

(54) **COMBINATION MANIFOLD AND FILTER**

OTHER PUBLICATIONS

(76) **Inventor:** **Marco Antonio Portillo**, Riverside, CA
(US)

Part of Helios product catalog—2011 17 pages.*

* cited by examiner

(**) **Term:** **14 Years**

Primary Examiner — T. Chase Nelson

Assistant Examiner — Ania Aman

(21) **Appl. No.:** **29/398,967**

(74) *Attorney, Agent, or Firm* — Kirk A. Buhler; Buhler & Associates

(22) **Filed:** **Aug. 8, 2011**

(51) **LOC (9) Cl.** **23-04**

(52) **U.S. Cl.** **D23/371**

(58) **Field of Classification Search** D15/1-5;
D23/324, 329, 314, 393, 371, 375, 385, 387,
D23/399

(57) **CLAIM**

The ornamental design for a combination manifold and filter, as shown and described.

See application file for complete search history.

DESCRIPTION

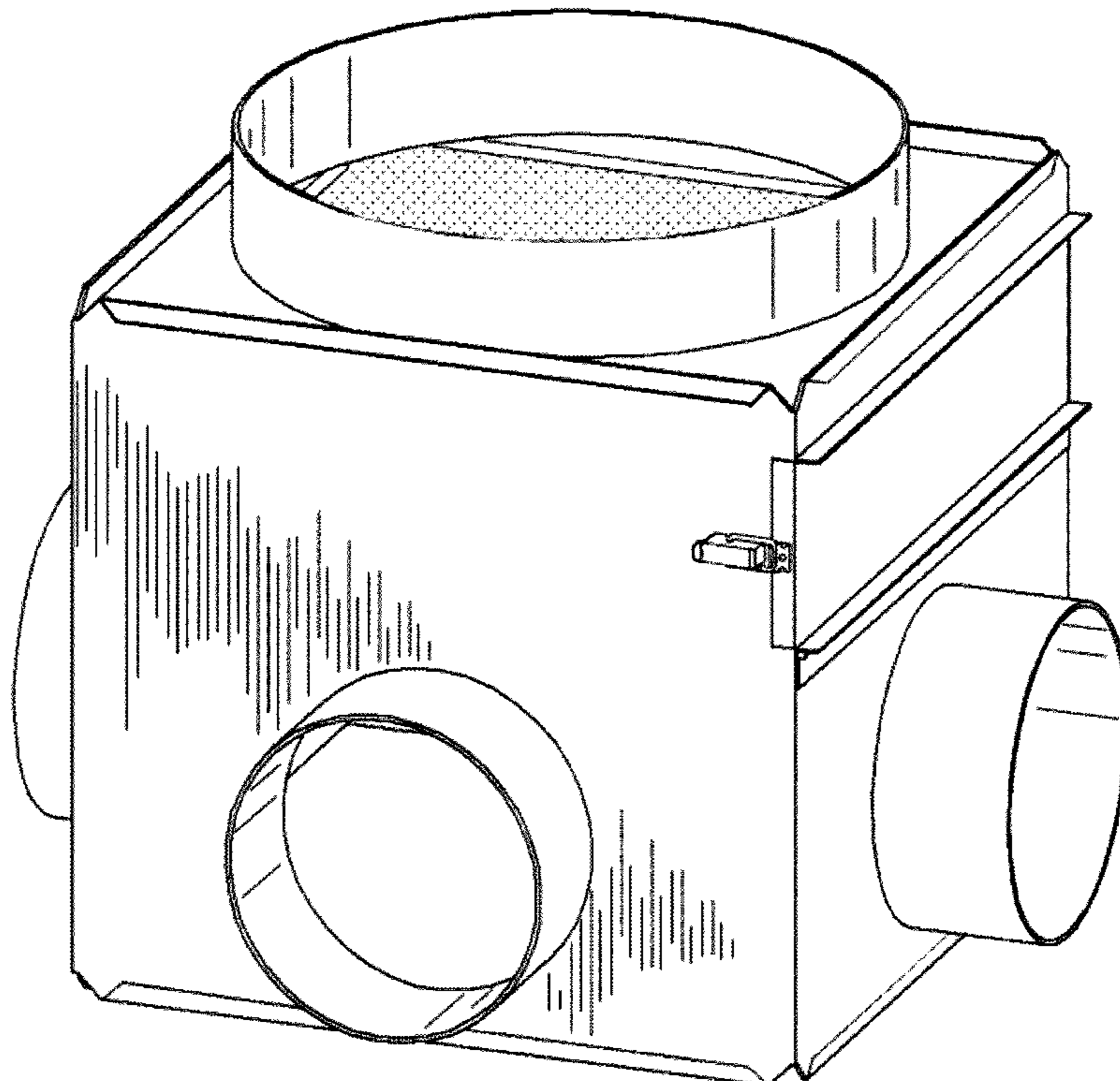
(56) **References Cited**

U.S. PATENT DOCUMENTS

D82,645 S	7/1930	Warnock	
D221,550 S	8/1971	Dixon	
D221,945 S *	9/1971	Carangelo	D23/314
4,022,599 A	5/1977	Wilson et al.	
D258,756 S	3/1981	Larson	
D296,466 S	6/1988	Gratton	
D396,726 S	8/1998	Sadr et al.	
D517,567 S	3/2006	Teeter	
D554,249 S	10/2007	Holmgren	

FIG. 1 is a perspective view for a combination manifold and filter showing my new design;
FIG. 2 is a right side view thereof;
FIG. 3 is a left side view thereof;
FIG. 4 is a top view thereof;
FIG. 5 is a bottom view thereof;
FIG. 6 is a front view thereof; and,
FIG. 7 is a back view thereof.

1 Claim, 5 Drawing Sheets



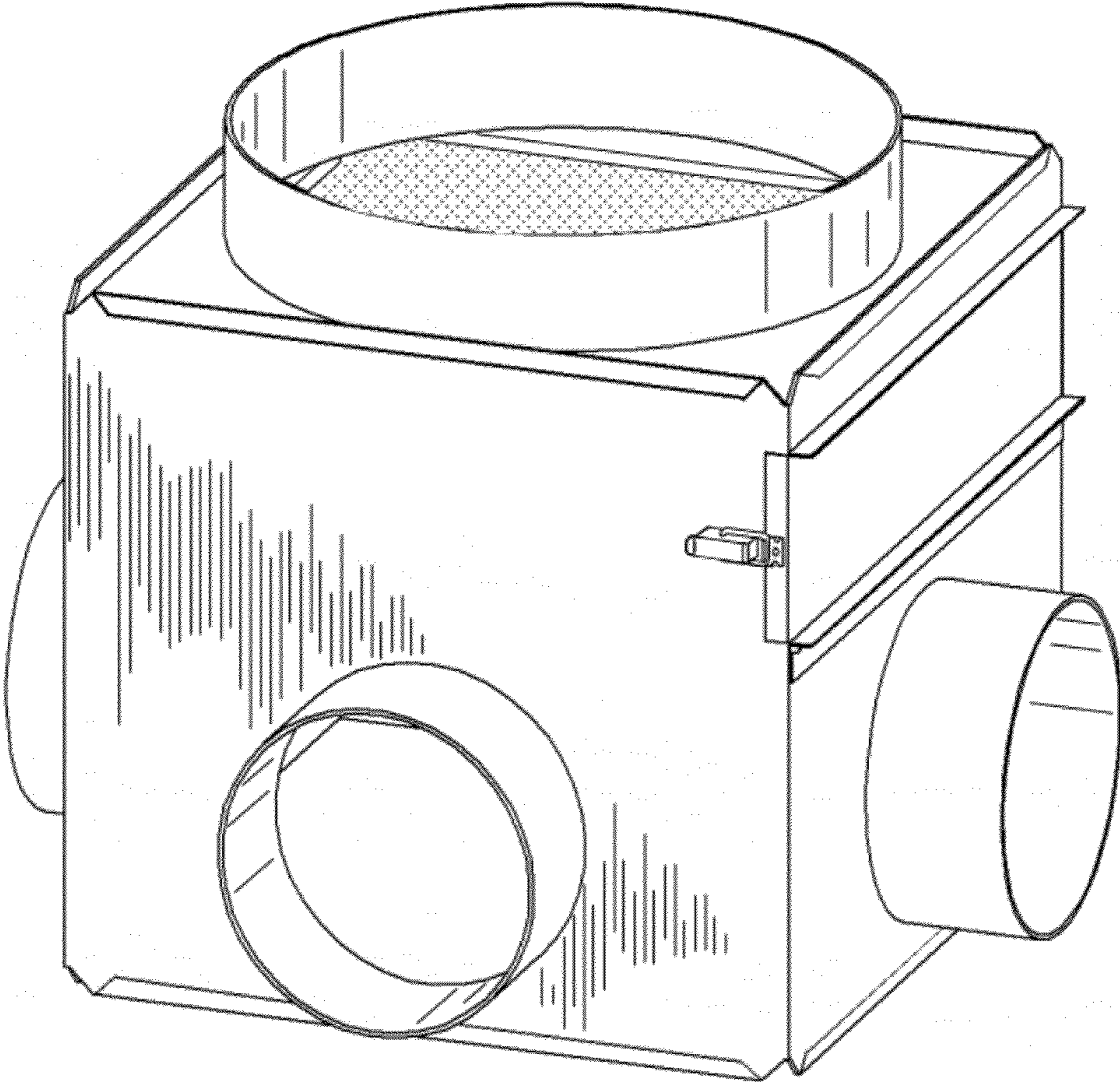


FIG 1

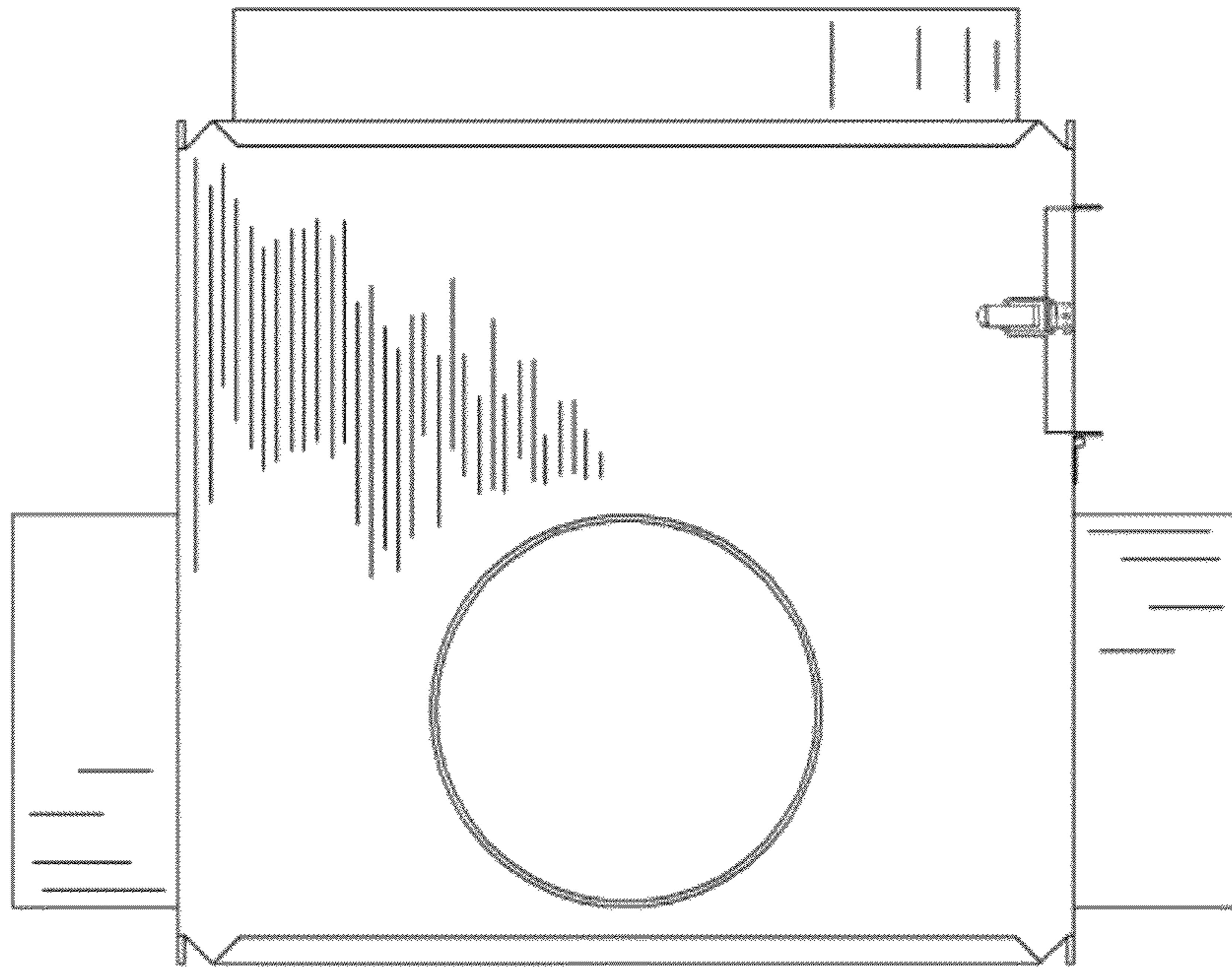


FIG. 2

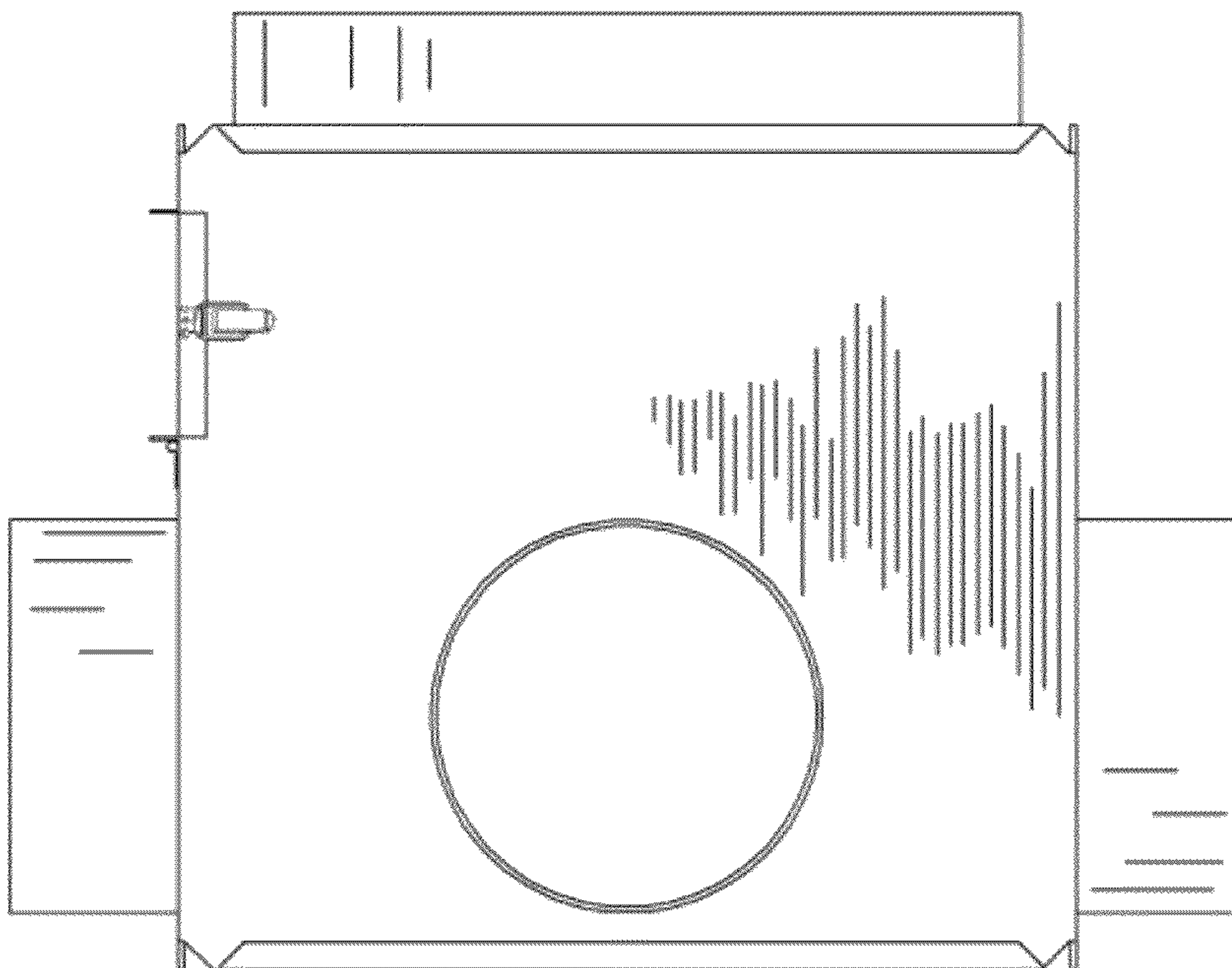


FIG. 3

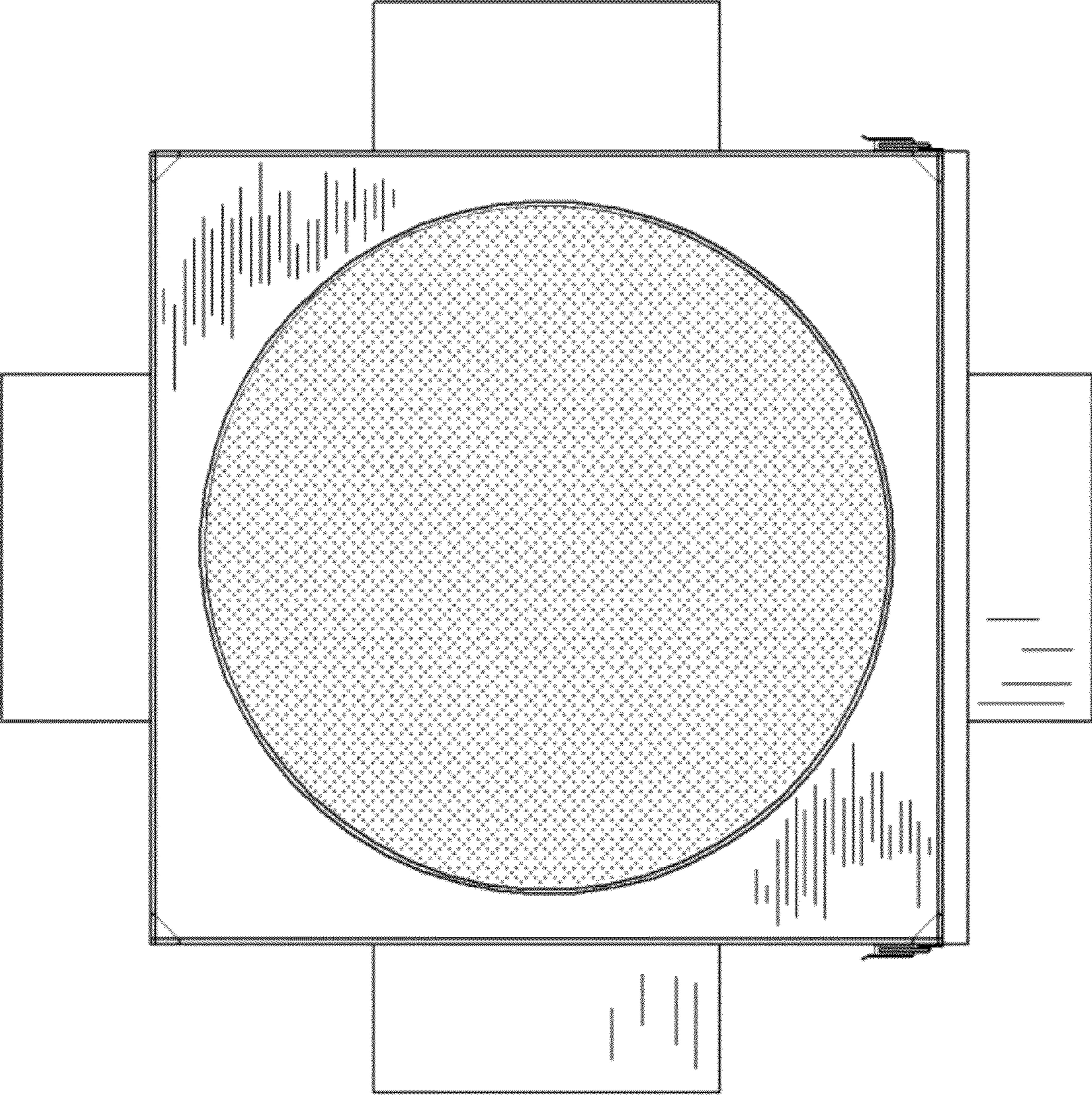


FIG. 4

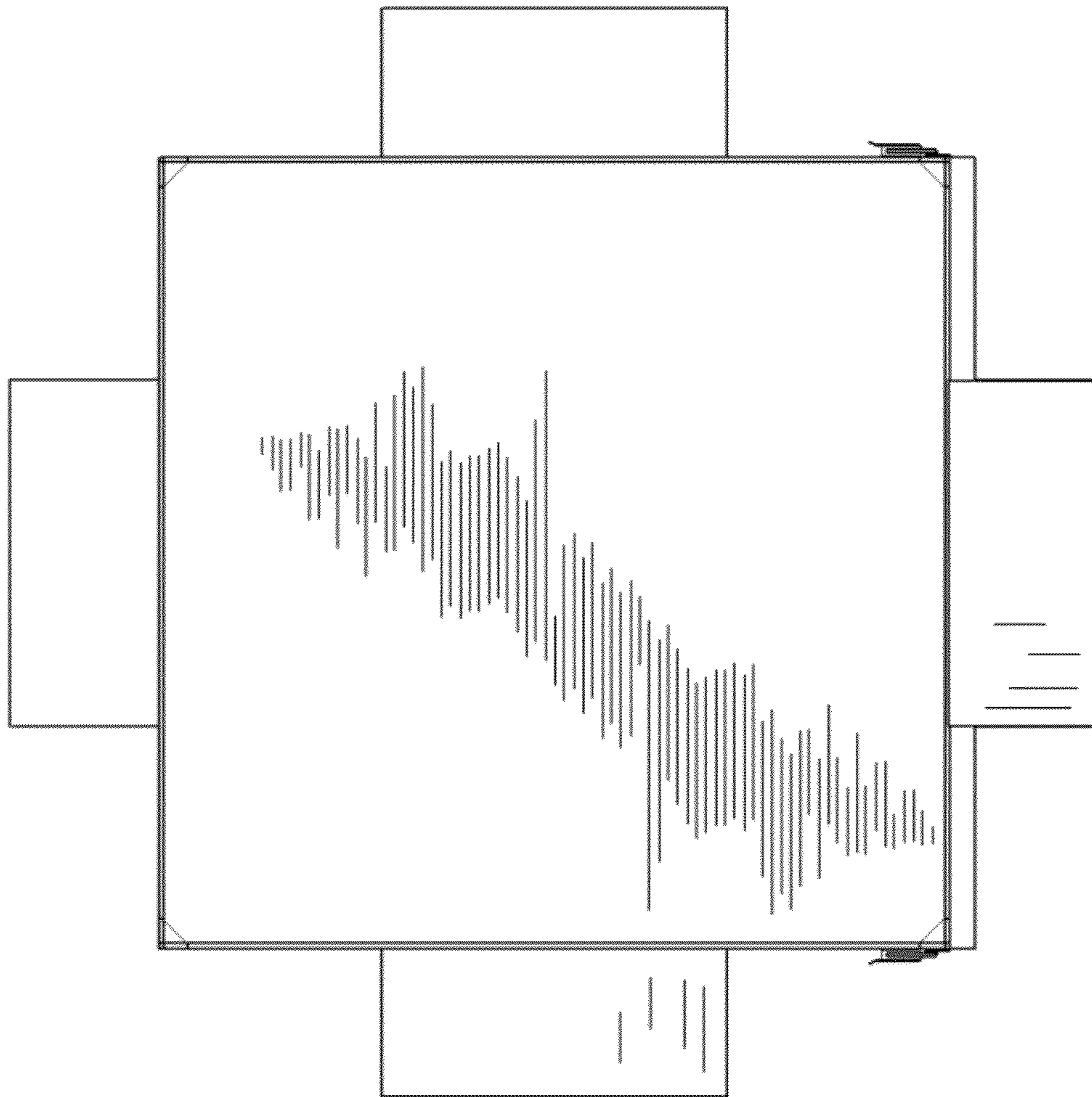


FIG. 5

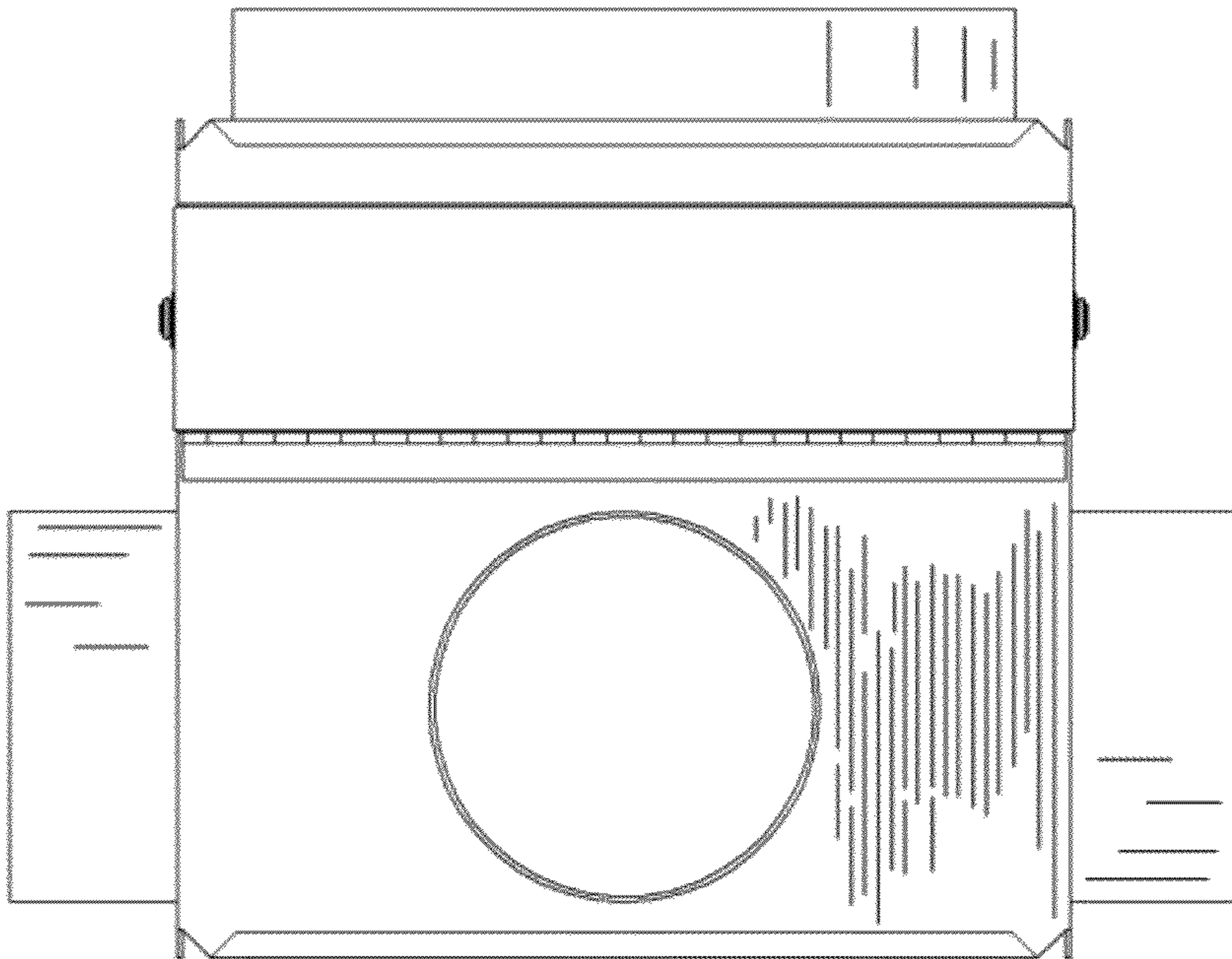


FIG. 6

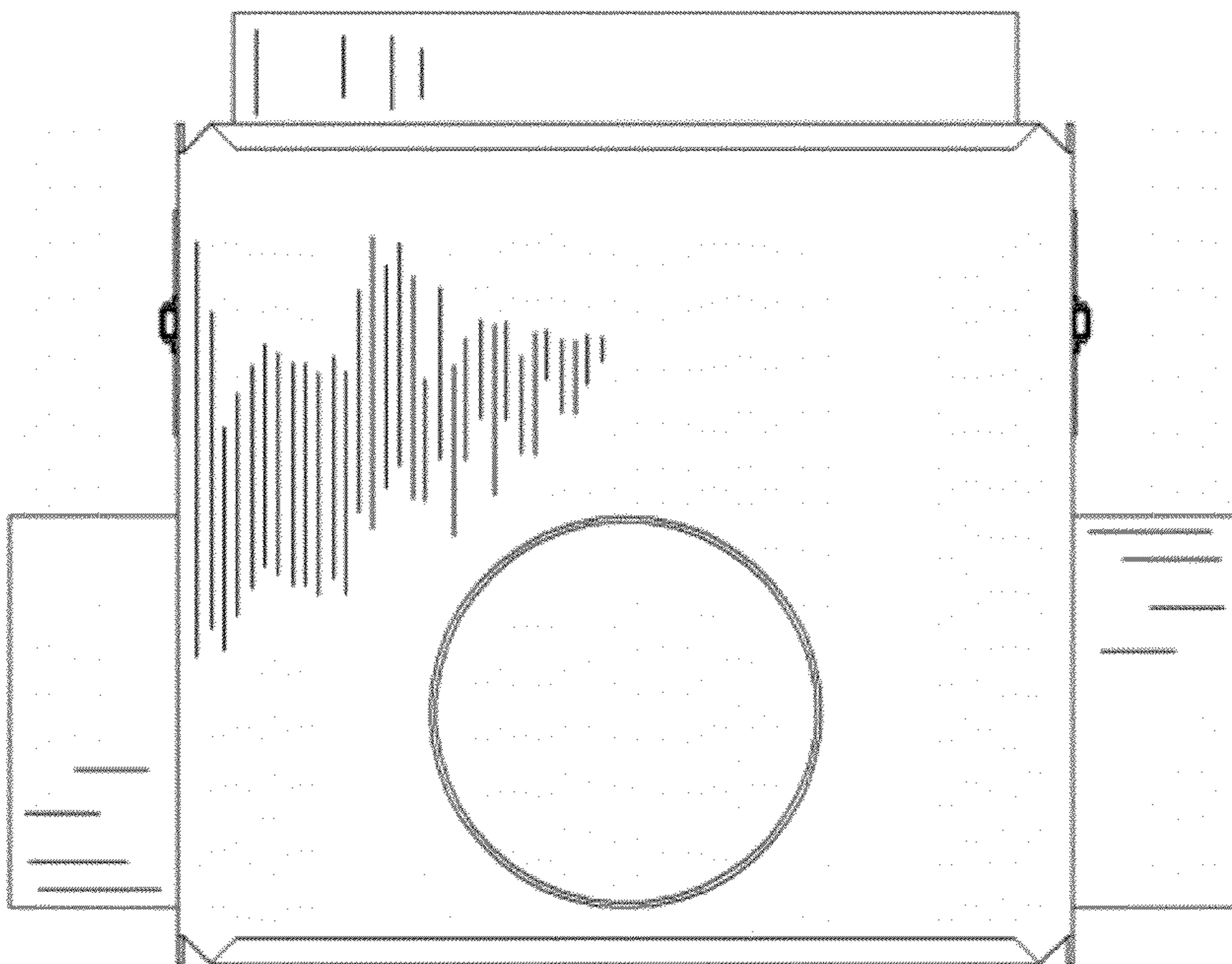


FIG. 7