

US00D663819S

(12) **United States Design Patent**
Browder

(10) **Patent No.:** **US D663,819 S**
(45) **Date of Patent:** **** Jul. 17, 2012**

(54) **COVER FOR LIGHT AND/OR FRAGRANCE
EMITTER**

(75) Inventor: **John Browder**, Argyle, TX (US)

(73) Assignee: **IDC Enchanted Lighting Company,
LLC**, Roanoke, TX (US)

(**) Term: **14 Years**

(21) Appl. No.: **29/407,131**

(22) Filed: **Nov. 23, 2011**

(51) **LOC (9) Cl.** **28-99**

(52) **U.S. Cl.** **D23/366**

(58) **Field of Classification Search** D23/355-369;
D28/5, 6; 261/DIG. 17, DIG. 42, DIG. 65,
261/DIG. 88, DIG. 89; 392/386, 390, 394,
392/395; 239/34, 44, 53, 55, 56, 326; D26/14,
D26/17, 98; D11/131.1; D7/509, 522, 524,
D7/537

See application file for complete search history.

(56) **References Cited**

U.S. PATENT DOCUMENTS

- 1,732,707 A * 10/1929 Winsboro 422/125
- D333,997 S * 3/1993 Huang D10/118
- D447,256 S * 8/2001 Ratia D26/9
- D448,466 S * 9/2001 Zaragoza et al. D23/366

- D454,936 S * 3/2002 Catelli D21/816
- D463,046 S * 9/2002 Kumar D26/11
- D491,485 S * 6/2004 Kumar D11/125
- D544,593 S * 6/2007 Yamamoto D23/366
- D603,034 S * 10/2009 Thompson D23/366
- D607,371 S * 1/2010 Kurtz D11/151
- D607,372 S * 1/2010 Kurtz D11/151
- D631,149 S * 1/2011 Fis-Menache D23/395
- D631,535 S * 1/2011 Togawa et al. D23/366
- D646,449 S * 10/2011 Cheng D32/29.1

* cited by examiner

Primary Examiner — Sandra Snapp

(74) *Attorney, Agent, or Firm* — Brian Harris

(57) **CLAIM**

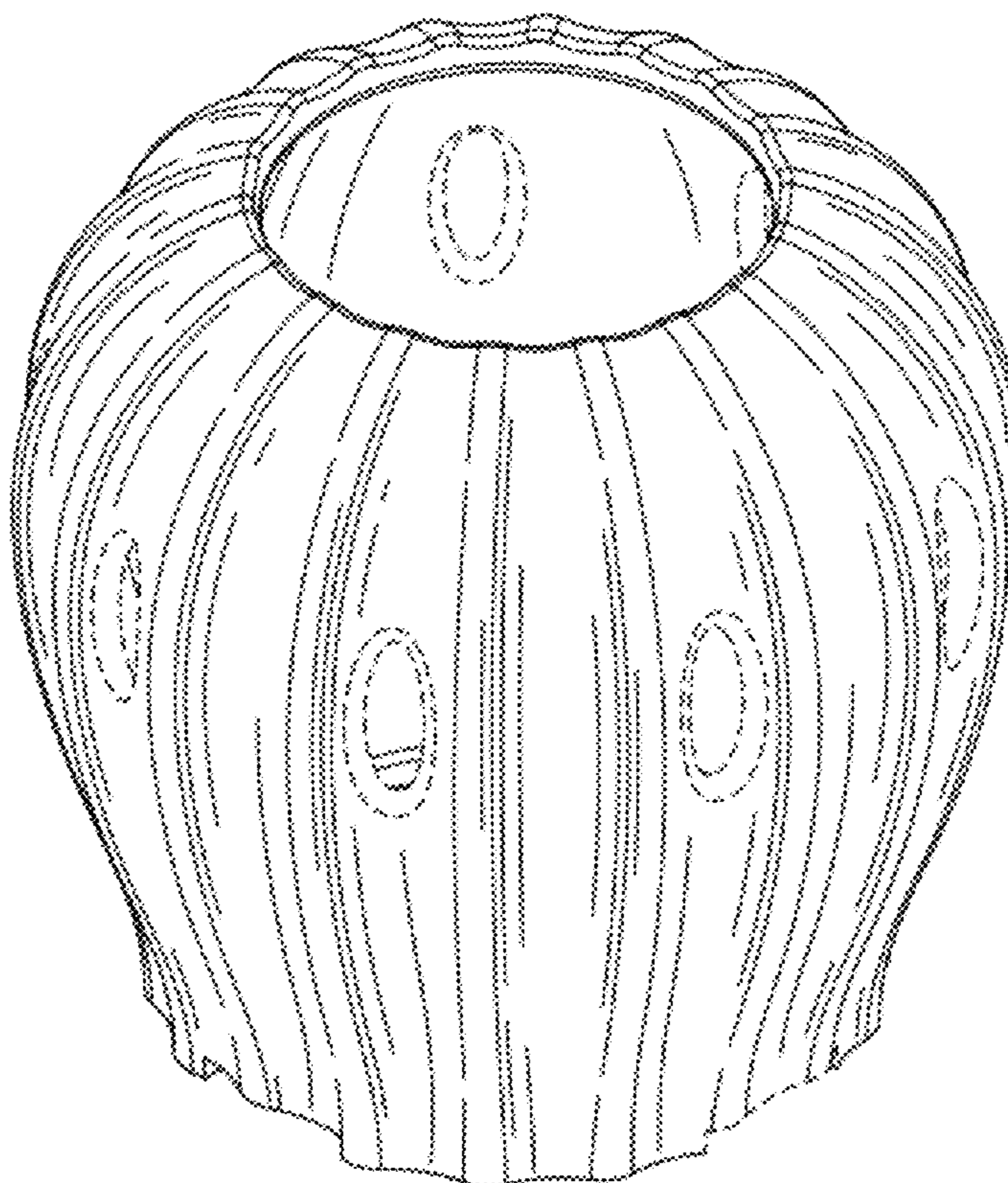
The ornamental design for a cover for light and/or fragrance emitter, as shown and described.

DESCRIPTION

FIG. 1 is a perspective view of a cover for light and/or fragrance emitter showing my new design;
FIG. 2 is a front view thereof;
FIG. 3 is a back view thereof;
FIG. 4 is a right side view thereof;
FIG. 5 is a left side view thereof;
FIG. 6 is a top view thereof; and,
FIG. 7 is a bottom view thereof.

The broken lines represent unclaimed boundaries of the design.

1 Claim, 4 Drawing Sheets



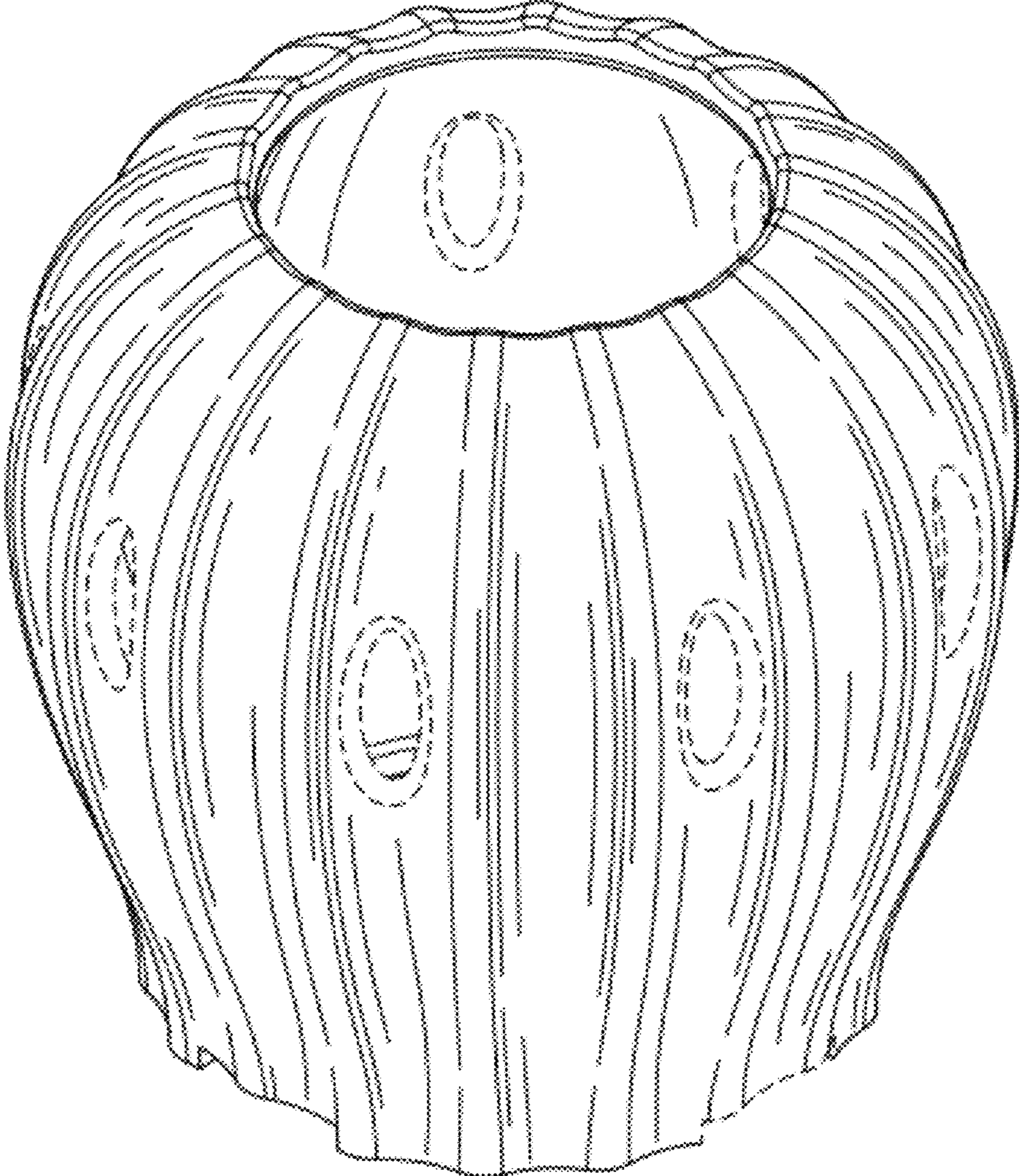


FIG. 1

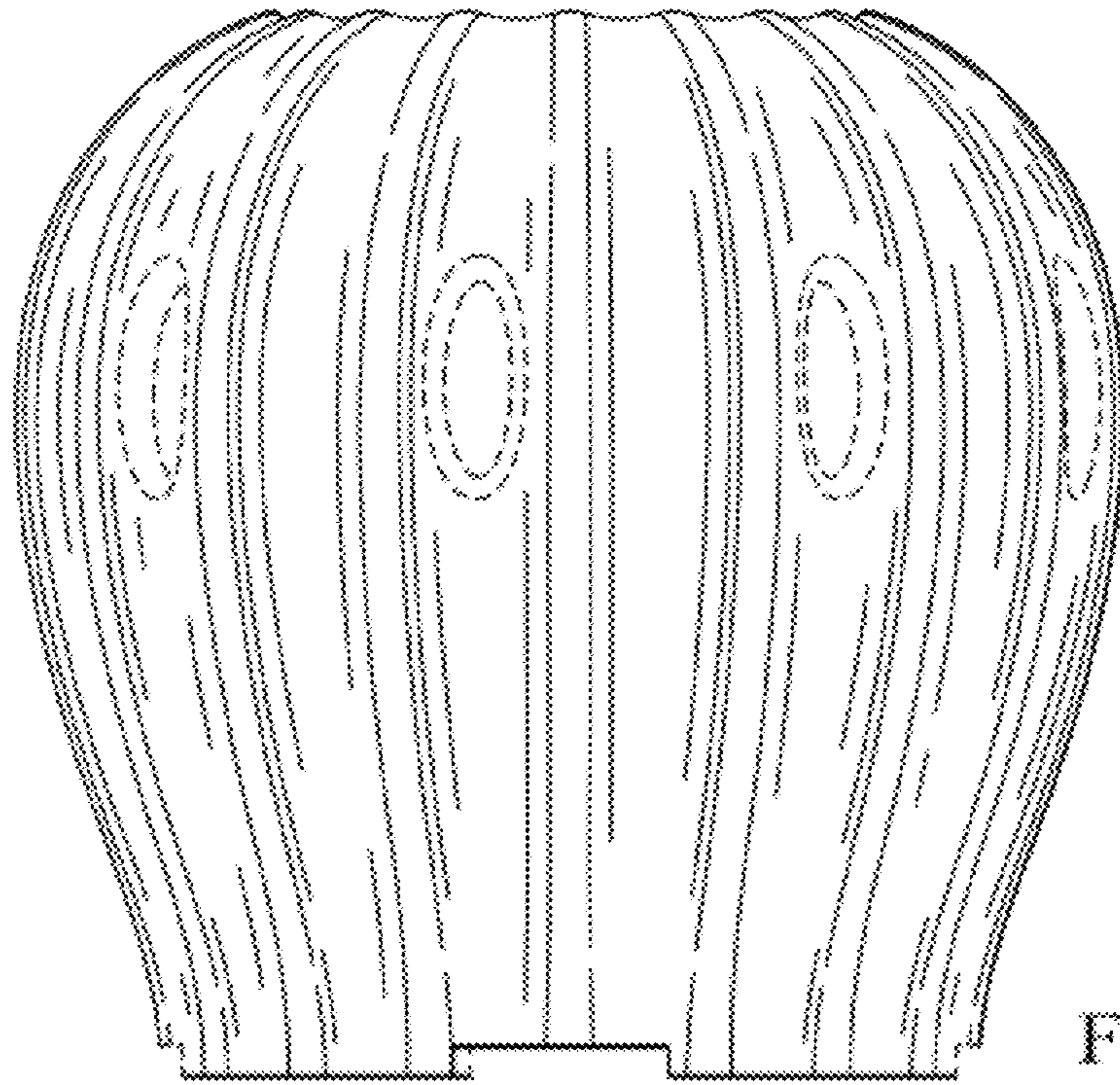


FIG. 2

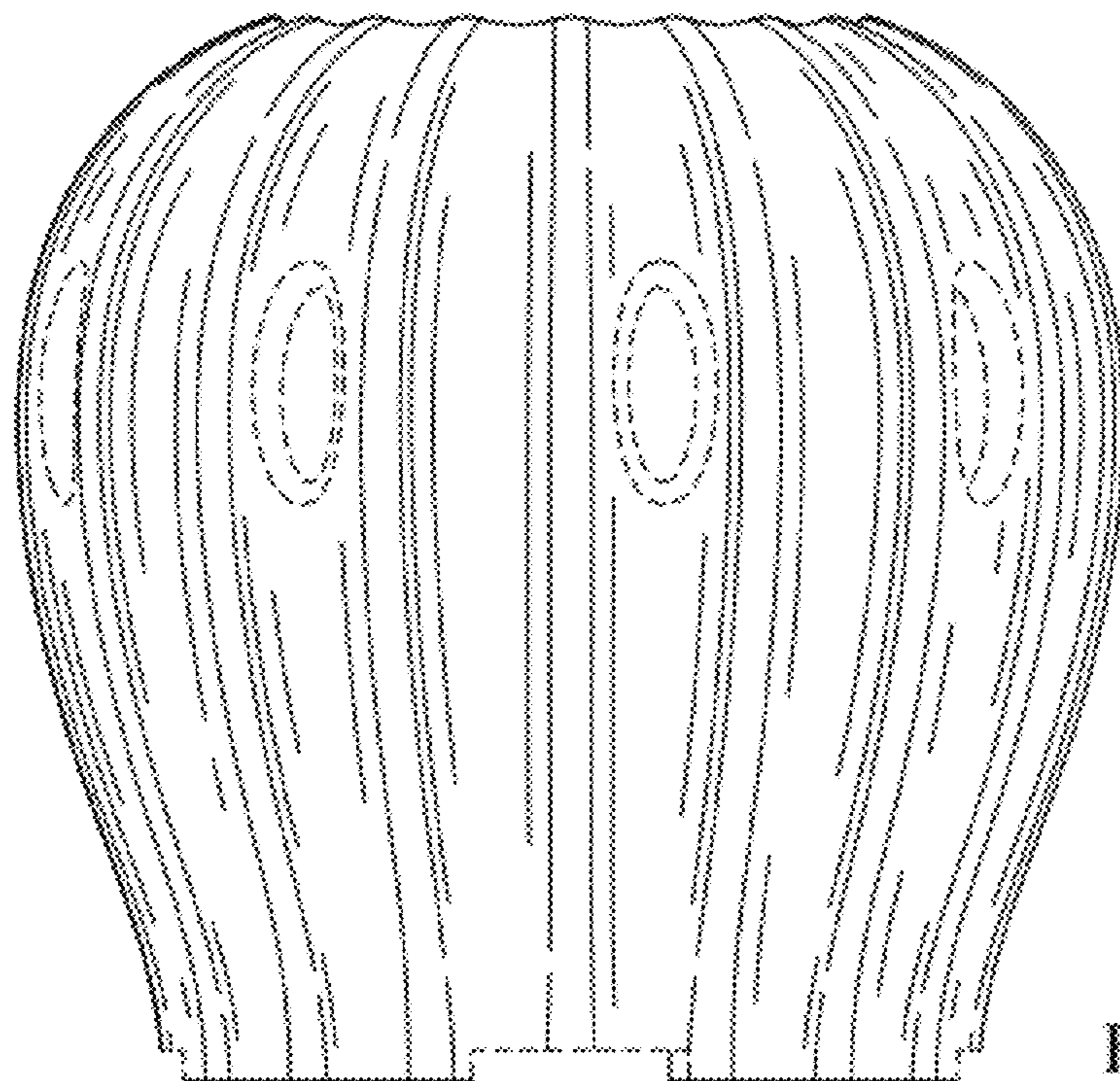


FIG. 3

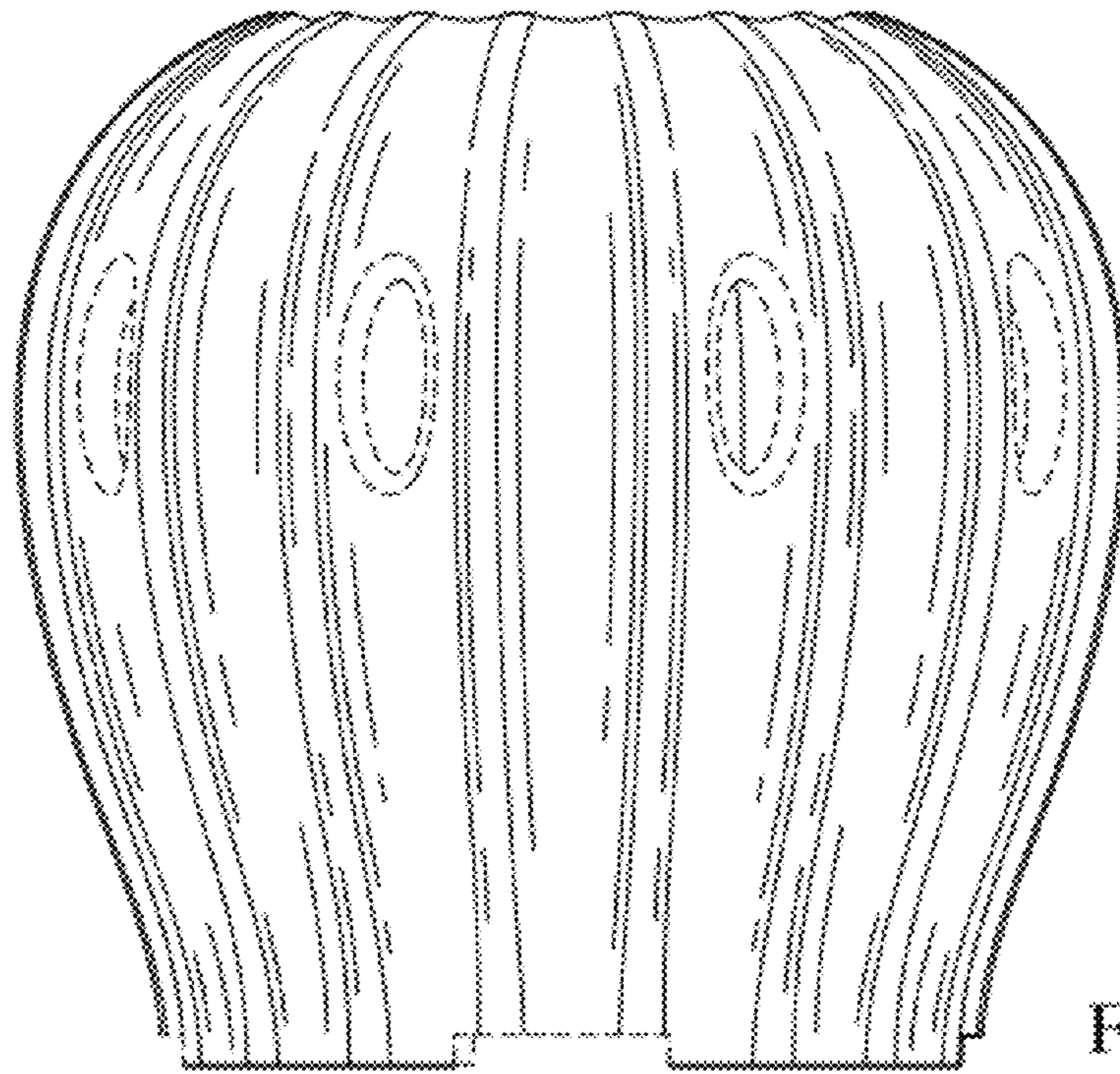


FIG. 4

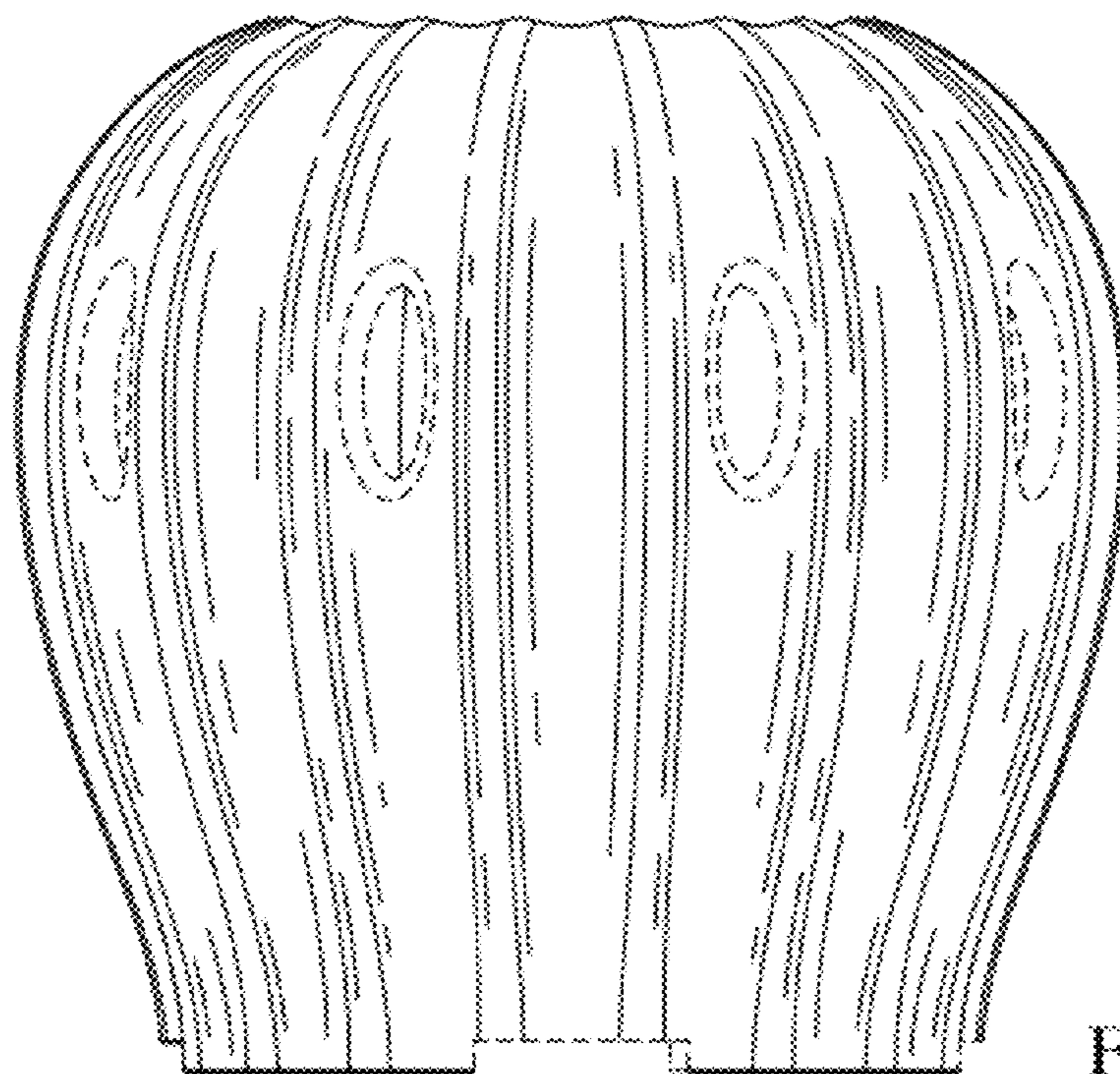


FIG. 5

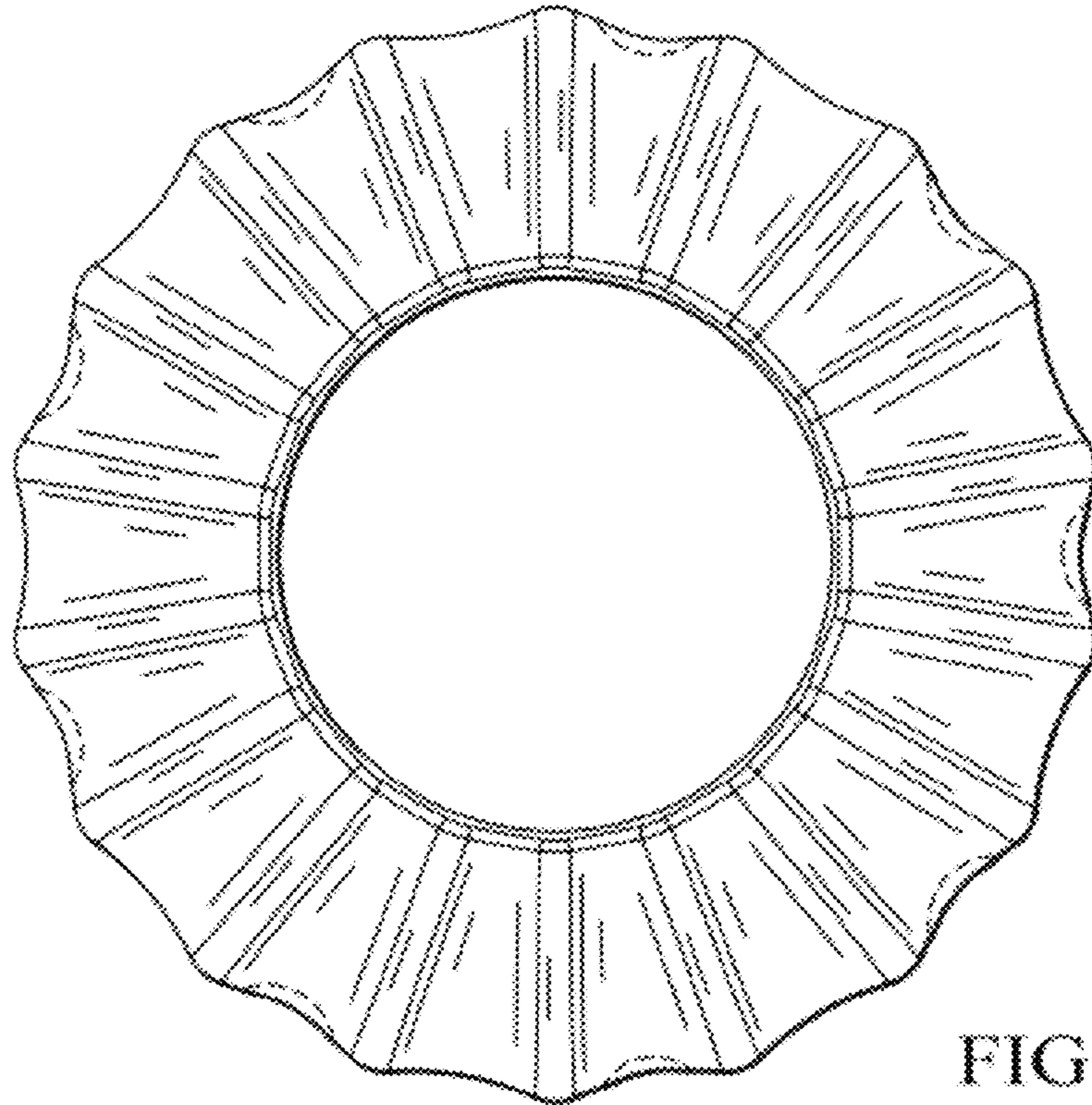


FIG. 6

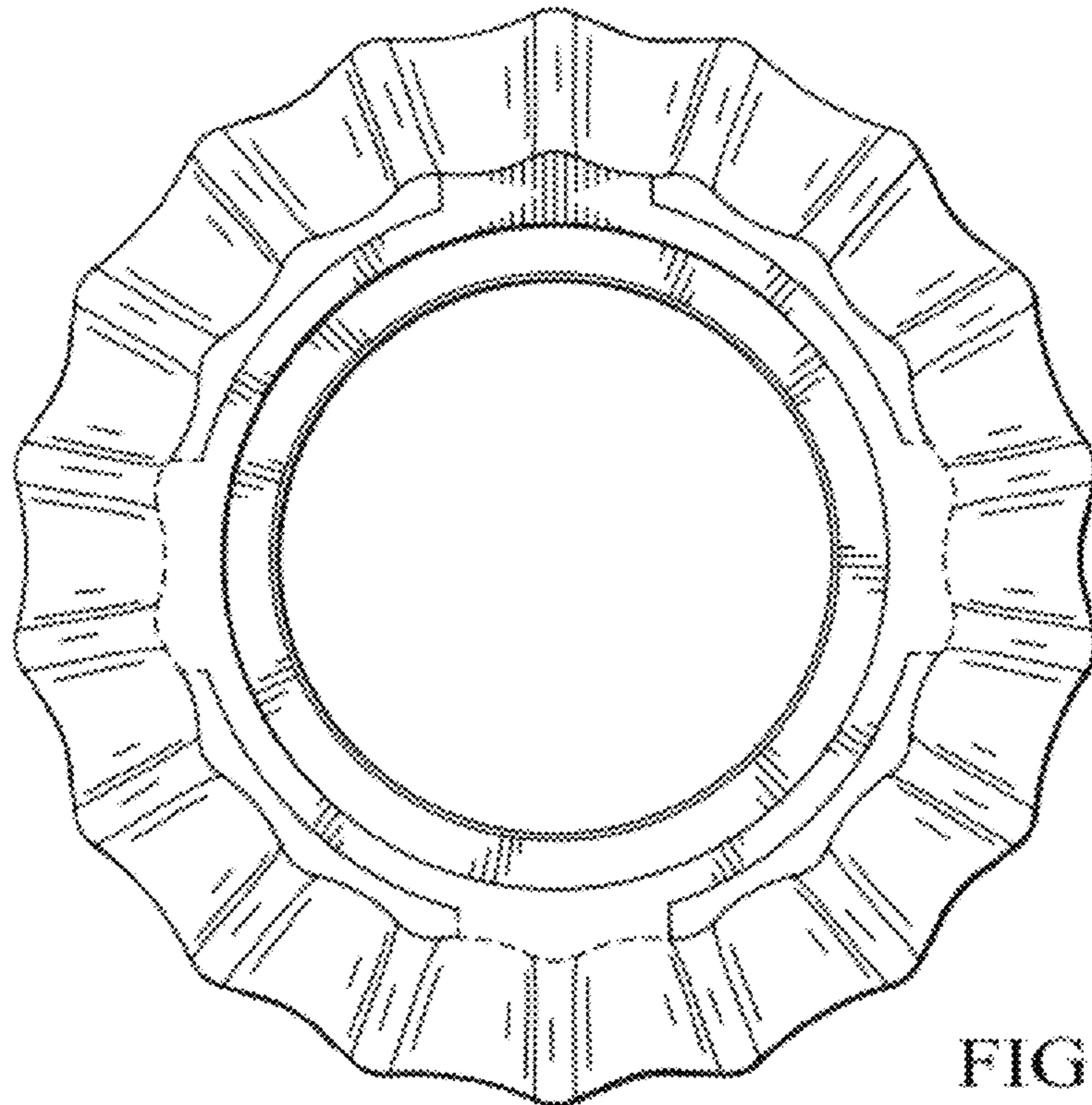


FIG. 7