



US00D663816S

(12) **United States Design Patent**
Tebe Poves et al.

(10) **Patent No.:** **US D663,816 S**
(45) **Date of Patent:** **** Jul. 17, 2012**

(54) **VOLATILE SUBSTANCE EVAPORATOR**
(75) Inventors: **Daniel Tebe Poves**, Barcelona (ES);
Ricard Tomas Vilarasa, Barcelona (ES)
(73) Assignee: **Zobebe Espana, S.A.**, Barcelona (ES)
(**) Term: **14 Years**
(21) Appl. No.: **29/387,312**
(22) Filed: **Mar. 11, 2011**

(30) **Foreign Application Priority Data**
Sep. 16, 2010 (EM) 001756024-0001
Sep. 16, 2010 (EM) 001756024-0002
(51) **LOC (9) Cl.** **28-99**
(52) **U.S. Cl.** **D23/366**
(58) **Field of Classification Search** D23/355-369;
D28/5, 6; 261/DIG. 17, DIG. 42, DIG. 65,
261/DIG. 88, DIG. 89; 392/386, 390, 391,
392/392, 393, 394, 395; 239/34, 35, 44-47,
239/50, 53, 56, 60, 145, 326
See application file for complete search history.

(56) **References Cited**
U.S. PATENT DOCUMENTS
D401,316 S * 11/1998 Allen et al. D23/356
D529,162 S * 9/2006 Bulsink D23/366
D604,401 S * 11/2009 Chun et al. D23/359
D605,272 S * 12/2009 Chun et al. D23/359

D608,435 S * 1/2010 Zobebe et al. D23/366
D609,321 S * 2/2010 Tomasulo et al. D23/366
D625,797 S * 10/2010 Poves et al. D23/366
D634,829 S * 3/2011 Niki D23/355
D648,018 S 11/2011 Sordo
2011/0036922 A1* 2/2011 Bulsink 239/47

OTHER PUBLICATIONS

Notice of Allowance with Notice of References Cited dated Jan. 27, 2012, from corresponding U.S. Appl. No. 29/402,915.

* cited by examiner

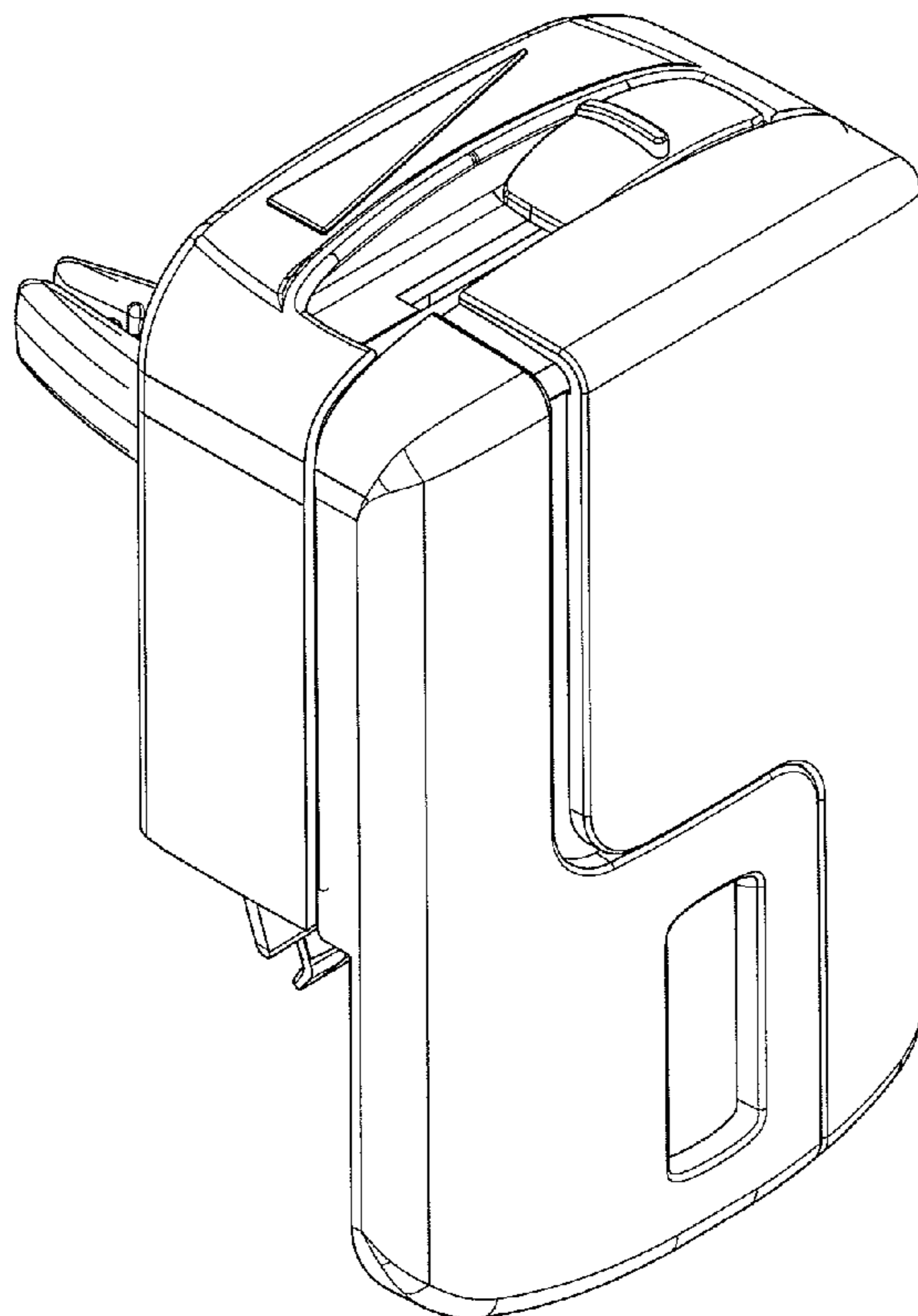
Primary Examiner — Sandra Snapp
(74) *Attorney, Agent, or Firm* — Katten Muchin Rosenman LLP

(57) **CLAIM**
The ornamental design for volatile substance evaporator, as shown and described.

DESCRIPTION

FIG. 1 is a front perspective view of a first volatile substance evaporator,
FIG. 2 is a front view thereof,
FIG. 3 is a rear view thereof,
FIG. 4 is a left-side view thereof,
FIG. 5 is a right-side view thereof,
FIG. 6 is a top view thereof; and,
FIG. 7 is a bottom view thereof.
The broken lines shown in the drawings are for illustrative purposes only and form no part of the claimed design.

1 Claim, 7 Drawing Sheets



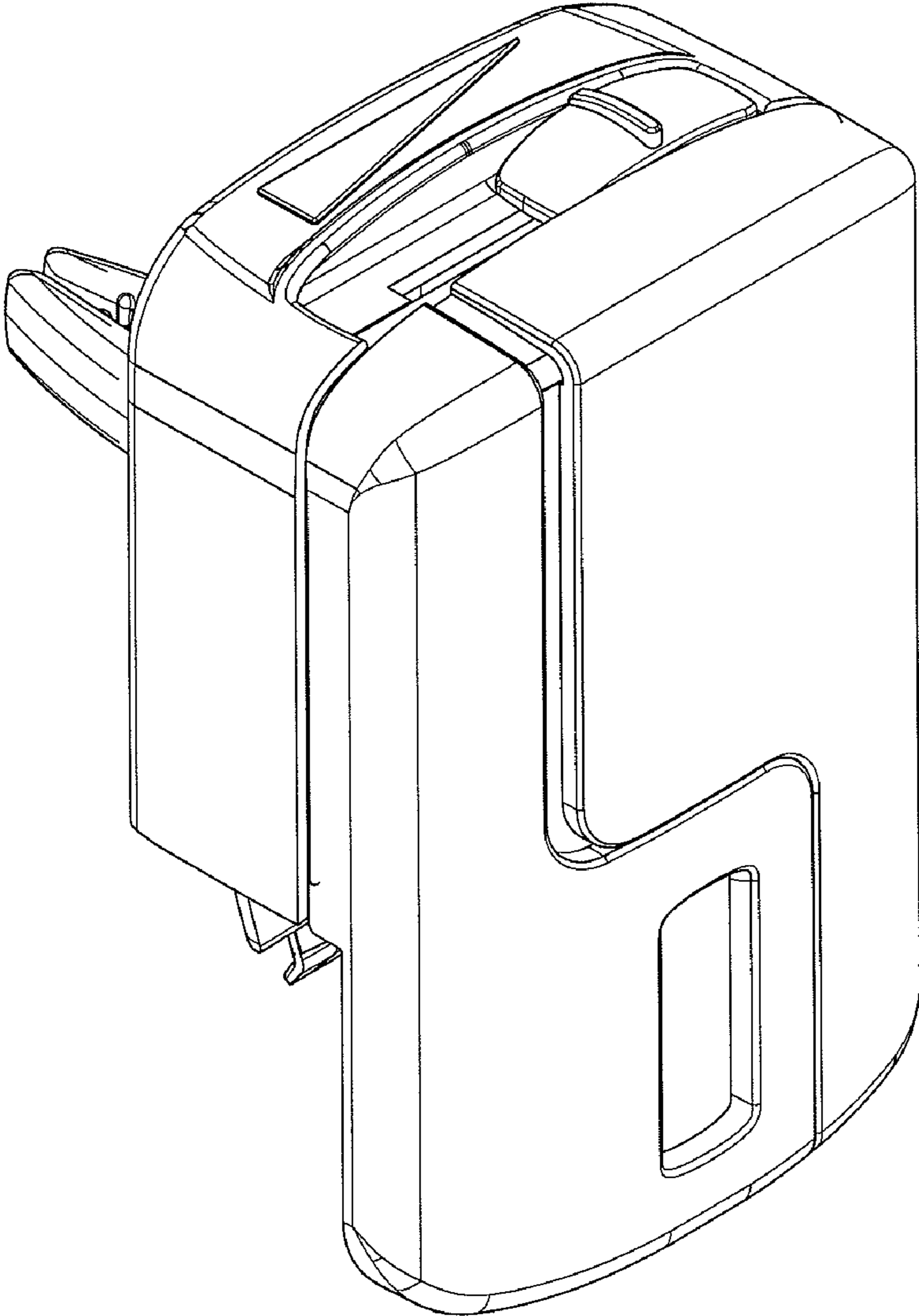


FIG. 1

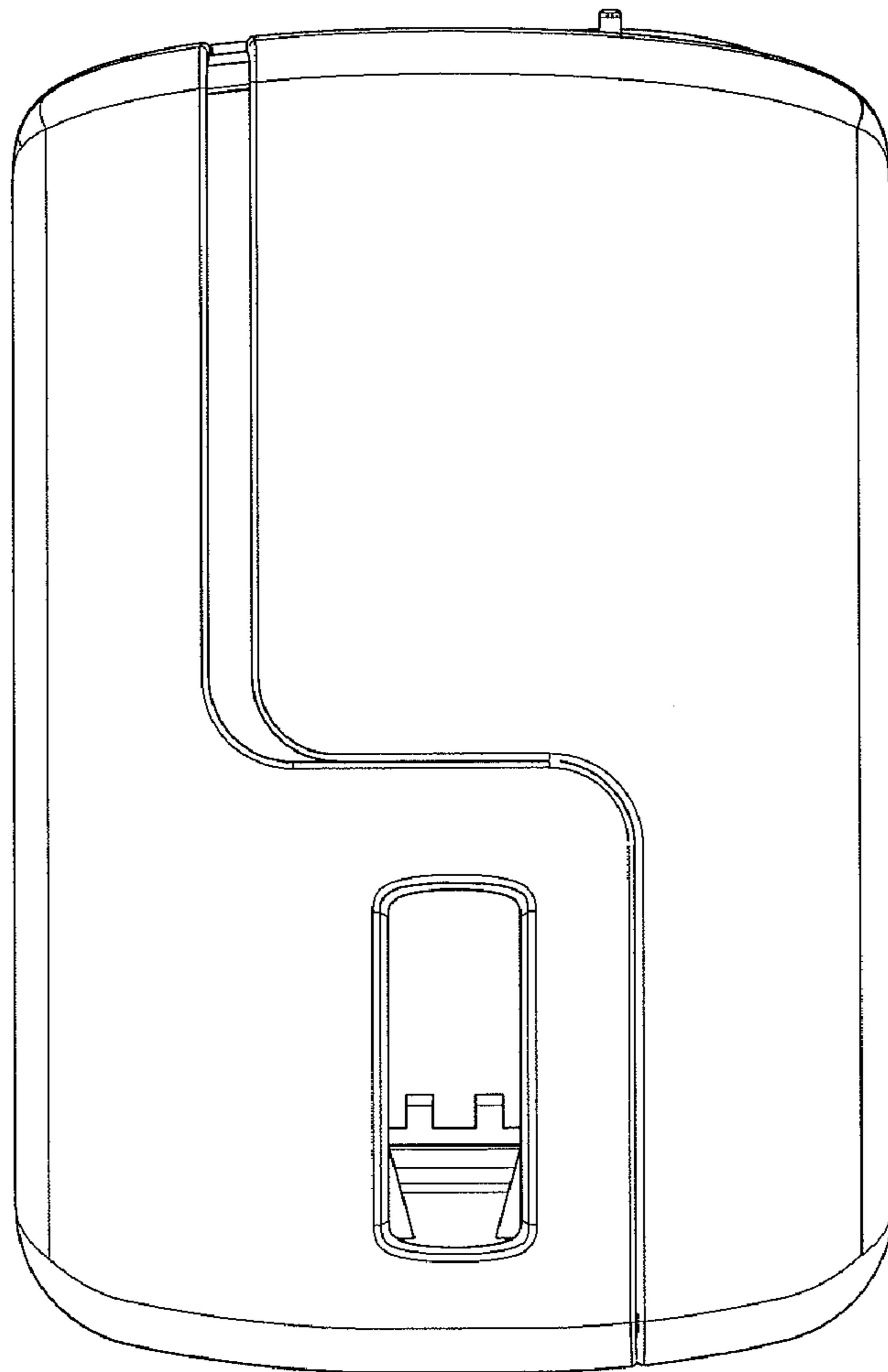


FIG. 2

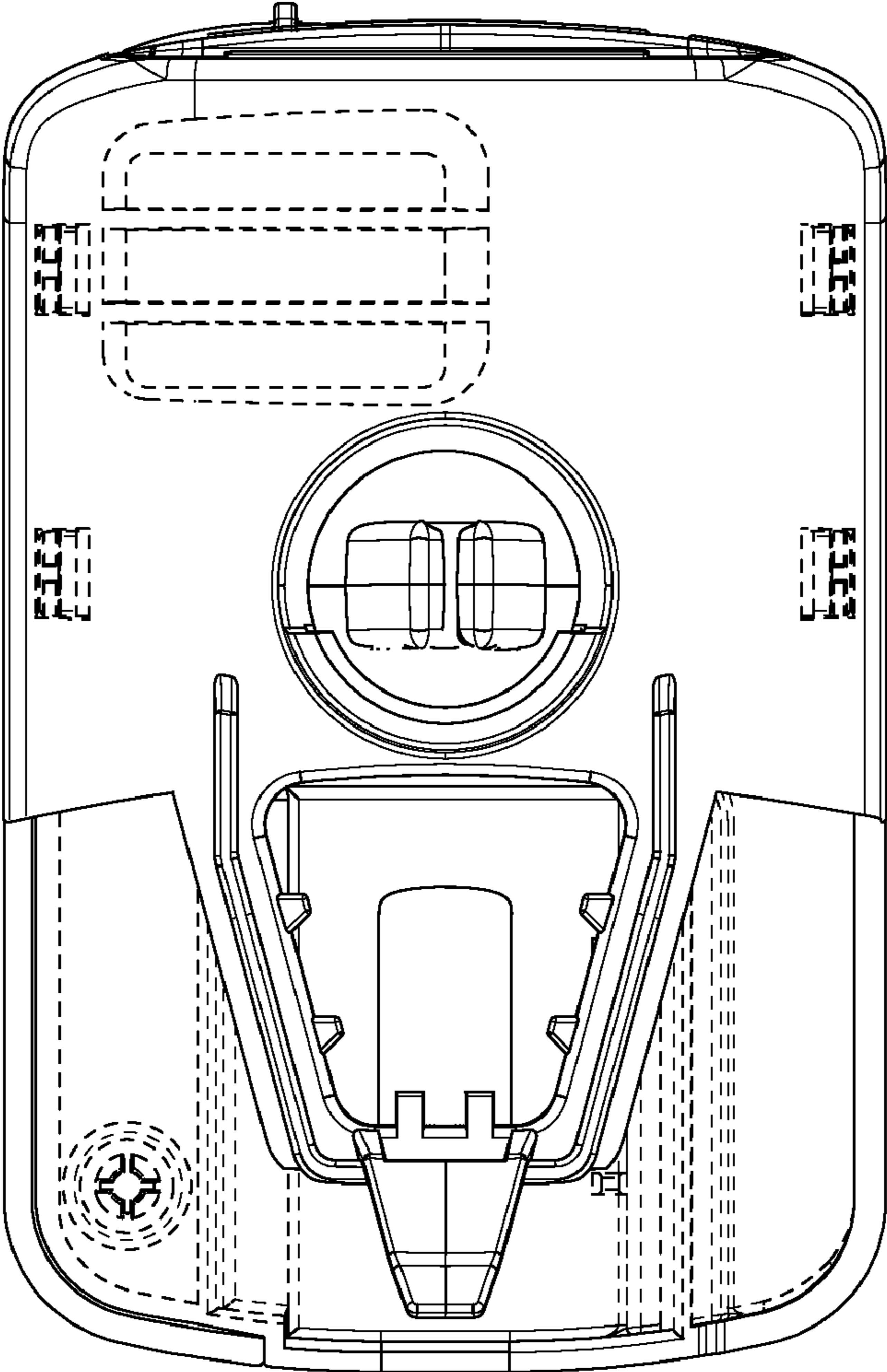


FIG. 3

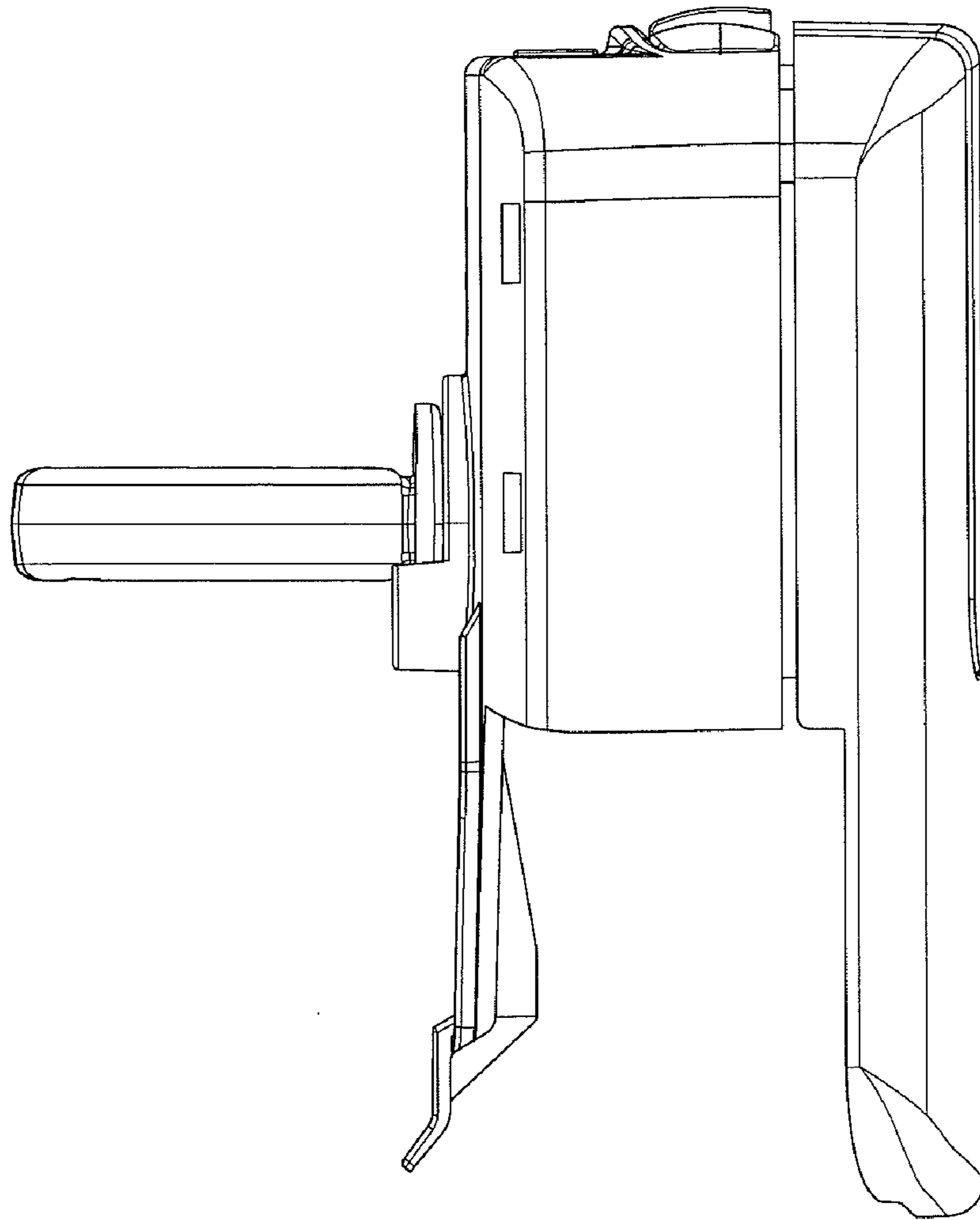


FIG. 4

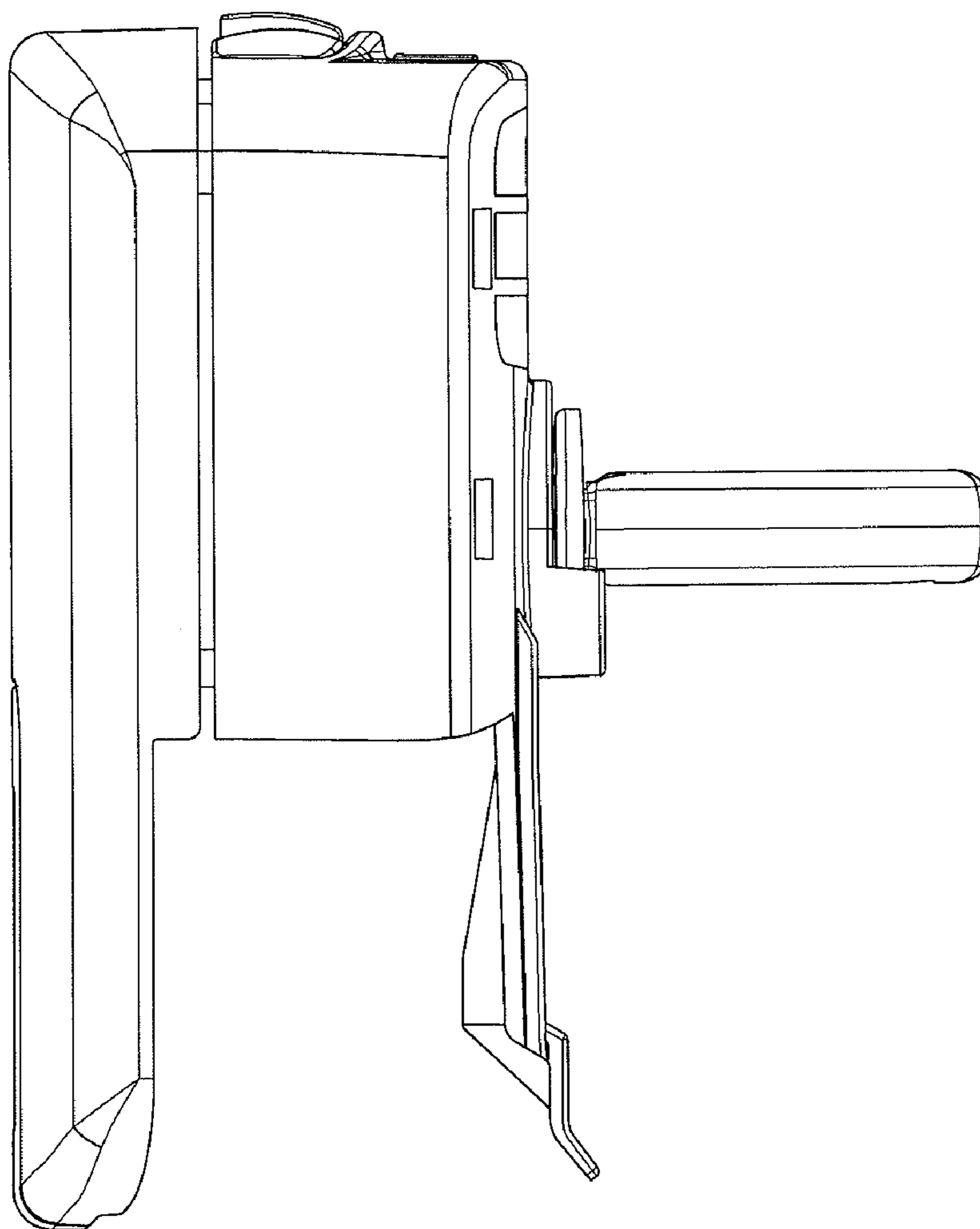


FIG. 5

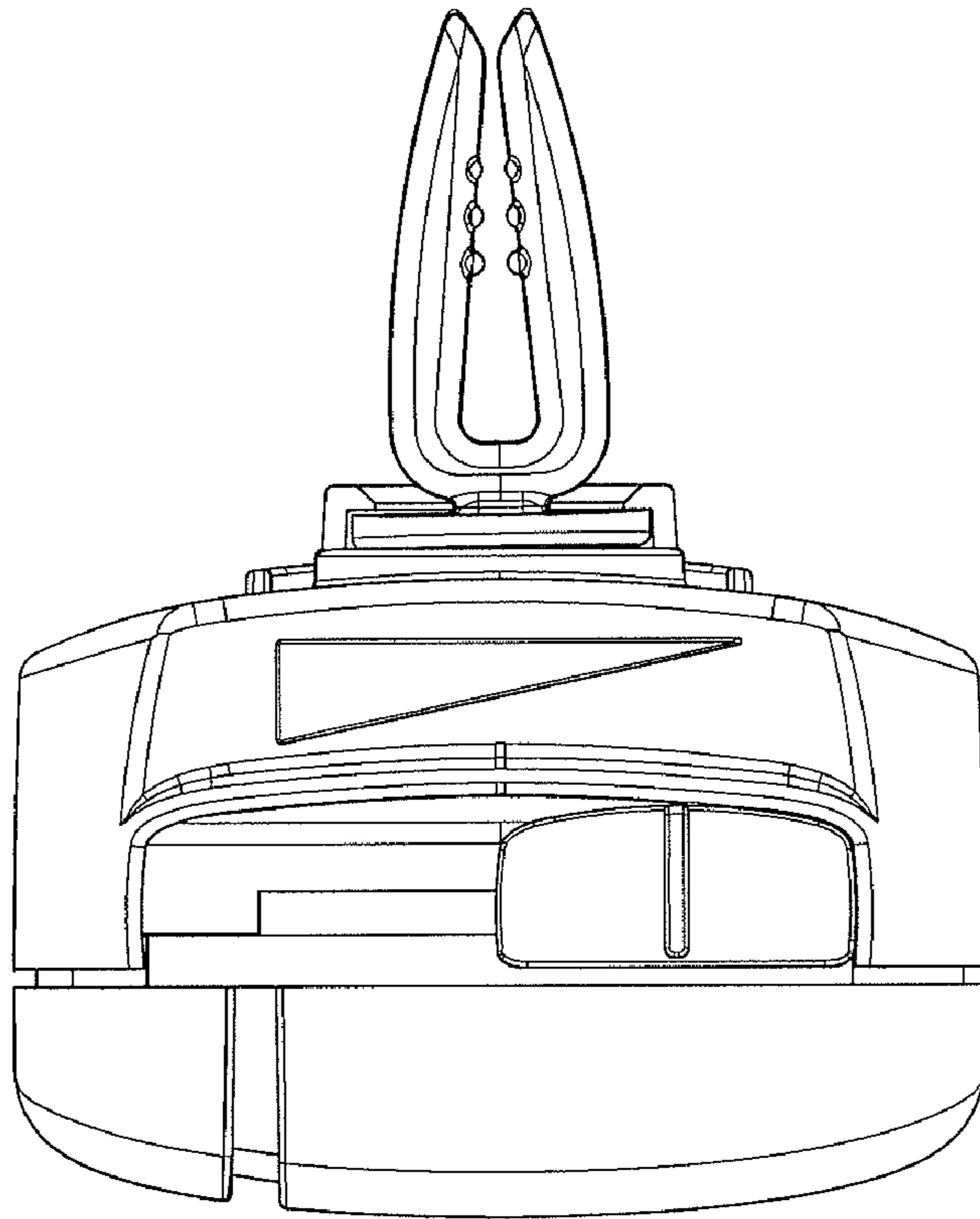


FIG. 6

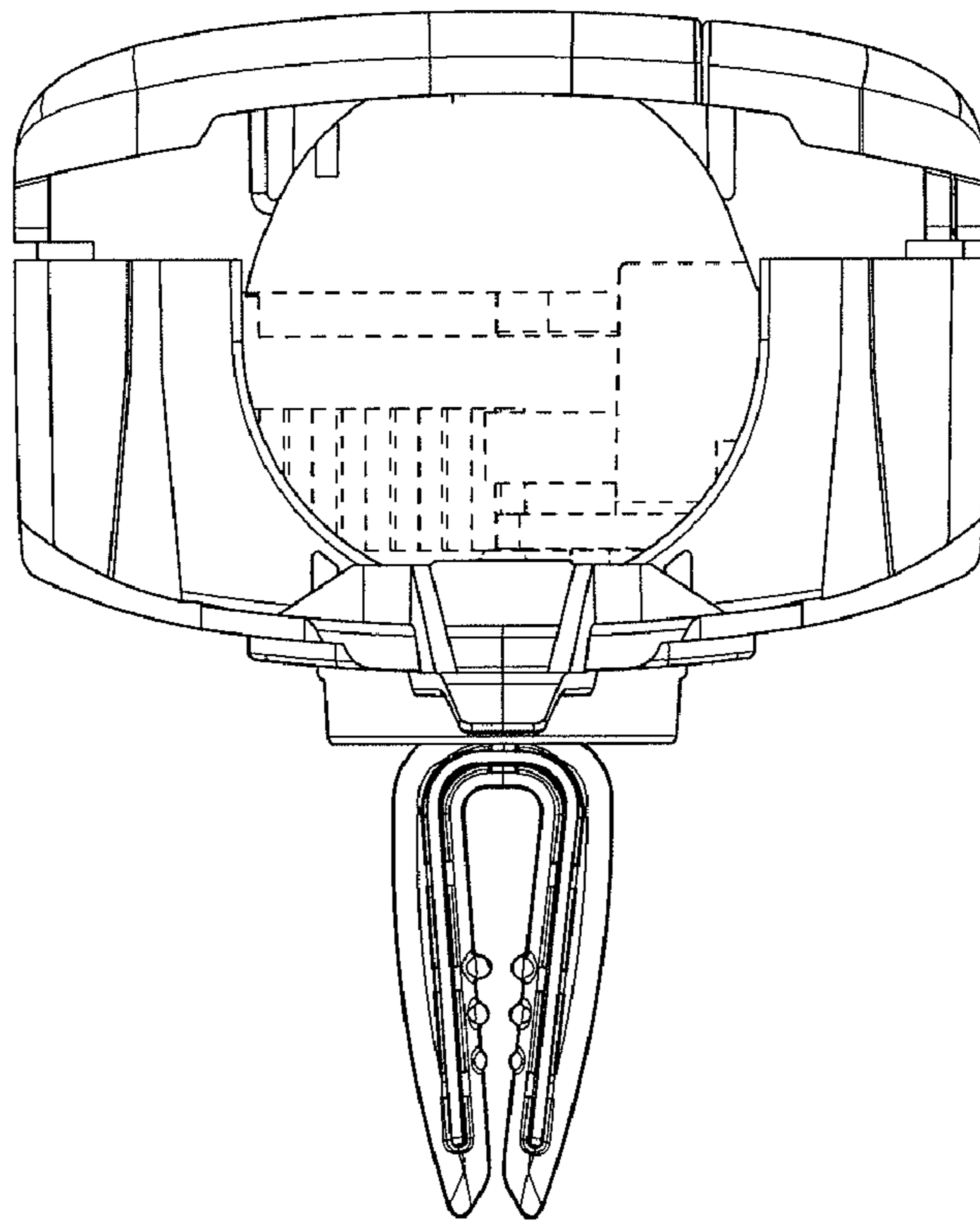


FIG. 7