

US00D663811S

(12) **United States Design Patent**  
**Ren**

(10) **Patent No.:** **US D663,811 S**  
(45) **Date of Patent:** **\*\* Jul. 17, 2012**

(54) **ELECTRIC HEATER**

(76) Inventor: **Jianhua Ren**, Jiangmen (CN)

(\*\*) Term: **14 Years**

(21) Appl. No.: **29/399,825**

(22) Filed: **Aug. 19, 2011**

(30) **Foreign Application Priority Data**

May 4, 2011 (CN) ..... 2011 3 0103459

(51) **LOC (9) Cl.** ..... **23-03**

(52) **U.S. Cl.** ..... **D23/317**

(58) **Field of Classification Search** ..... D23/314,  
D23/317, 332, 330, 335, 334, 336, 337, 338,  
D23/339, 340, 342, 352, 355, 362, 364; 416/244 R,  
416/347 R, 53.1-53.3; 392/365, 367

See application file for complete search history.

(56) **References Cited**

**U.S. PATENT DOCUMENTS**

D225,851 S \* 1/1973 Cowan ..... D23/340  
D267,970 S \* 2/1983 Gronwick ..... D23/336  
D271,132 S \* 10/1983 Boldt et al. .... D23/336

D468,414 S \* 1/2003 Fok ..... D23/328  
D509,291 S \* 9/2005 Cunningham et al. .... D23/336  
D537,154 S \* 2/2007 Cunningham et al. .... D23/336  
7,217,098 B2 \* 5/2007 Lim ..... 416/100  
D580,028 S \* 11/2008 Catrino ..... D23/335  
D593,662 S \* 6/2009 Chen ..... D23/317  
D620,569 S \* 7/2010 Hall et al. .... D23/332  
D639,919 S \* 6/2011 Yu ..... D23/314  
D640,355 S \* 6/2011 Yu ..... D23/328

\* cited by examiner

*Primary Examiner* — T. Chase Nelson

*Assistant Examiner* — Ania Aman

(74) *Attorney, Agent, or Firm* — Ding Yu Tan

(57) **CLAIM**

The ornamental design for an electric heater, as shown and described.

**DESCRIPTION**

FIG. 1 is a front view of an electric heater showing this new design;

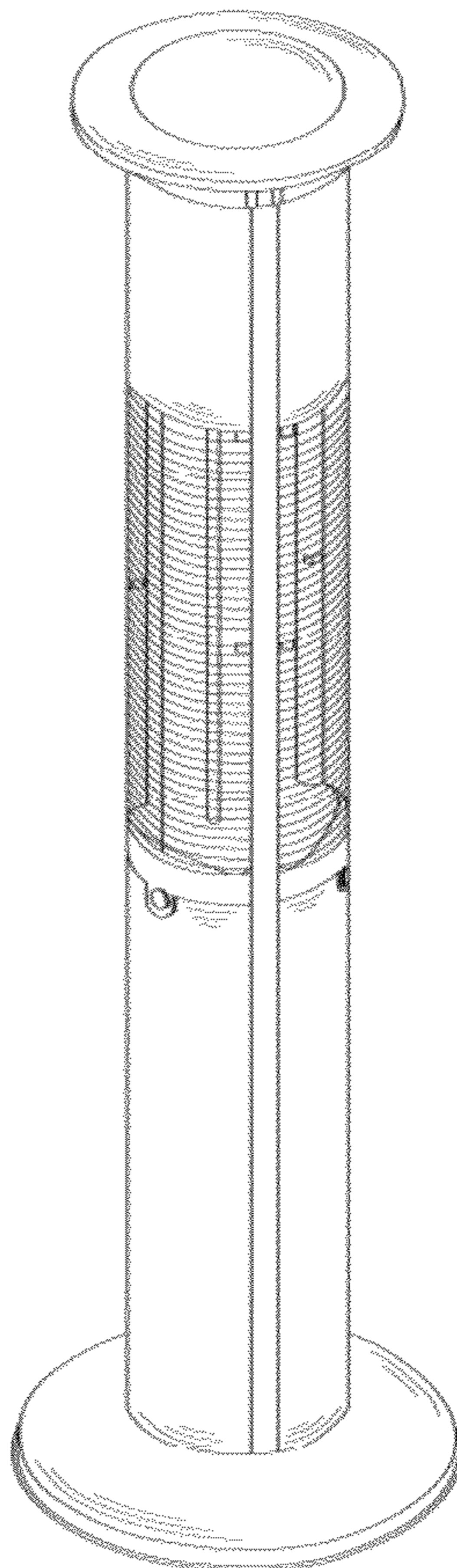
FIG. 2 is a back view thereof;

FIG. 3 is a left side view thereof;

FIG. 4 is a top view thereof; and,

FIG. 5 is a perspective view thereof.

**1 Claim, 5 Drawing Sheets**



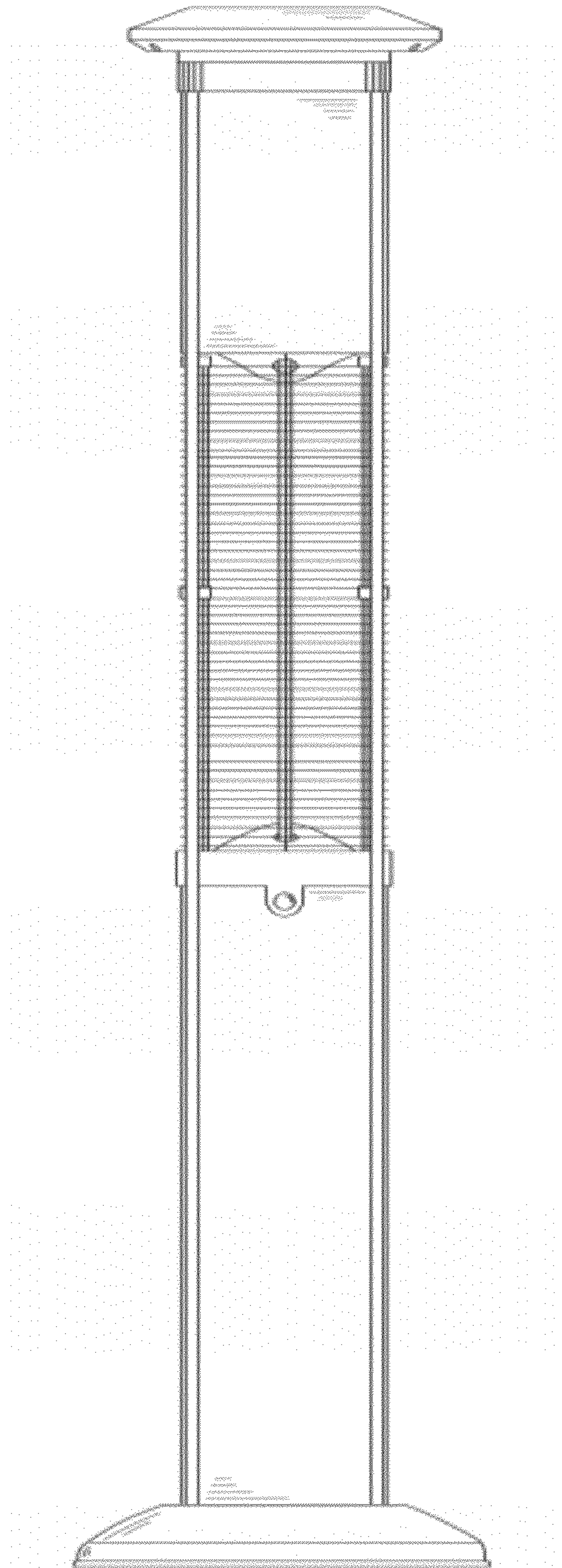


FIG. 1

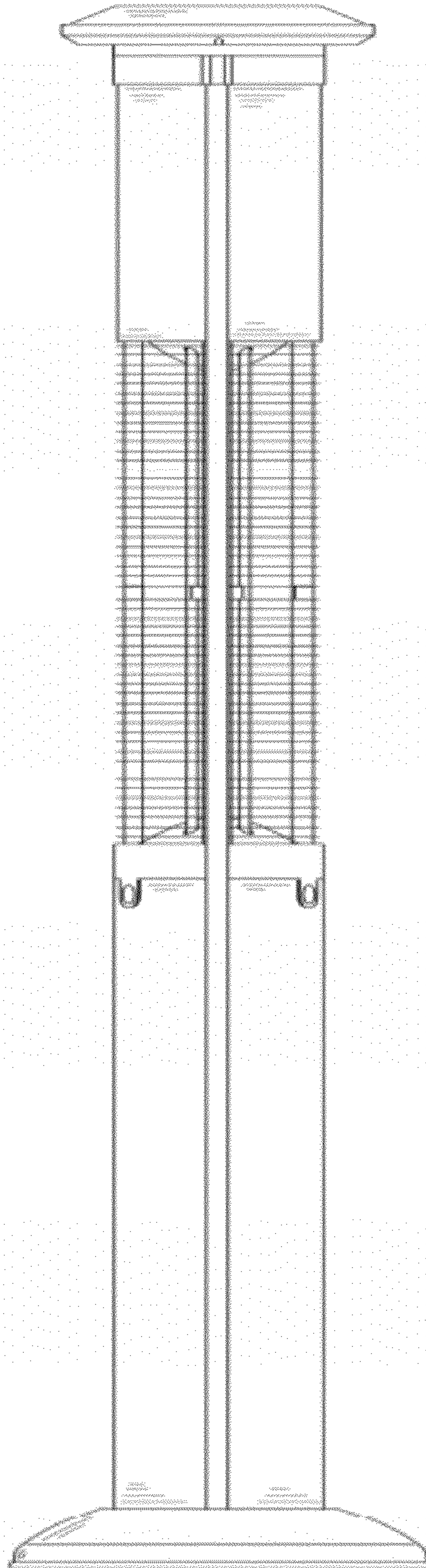


FIG. 2

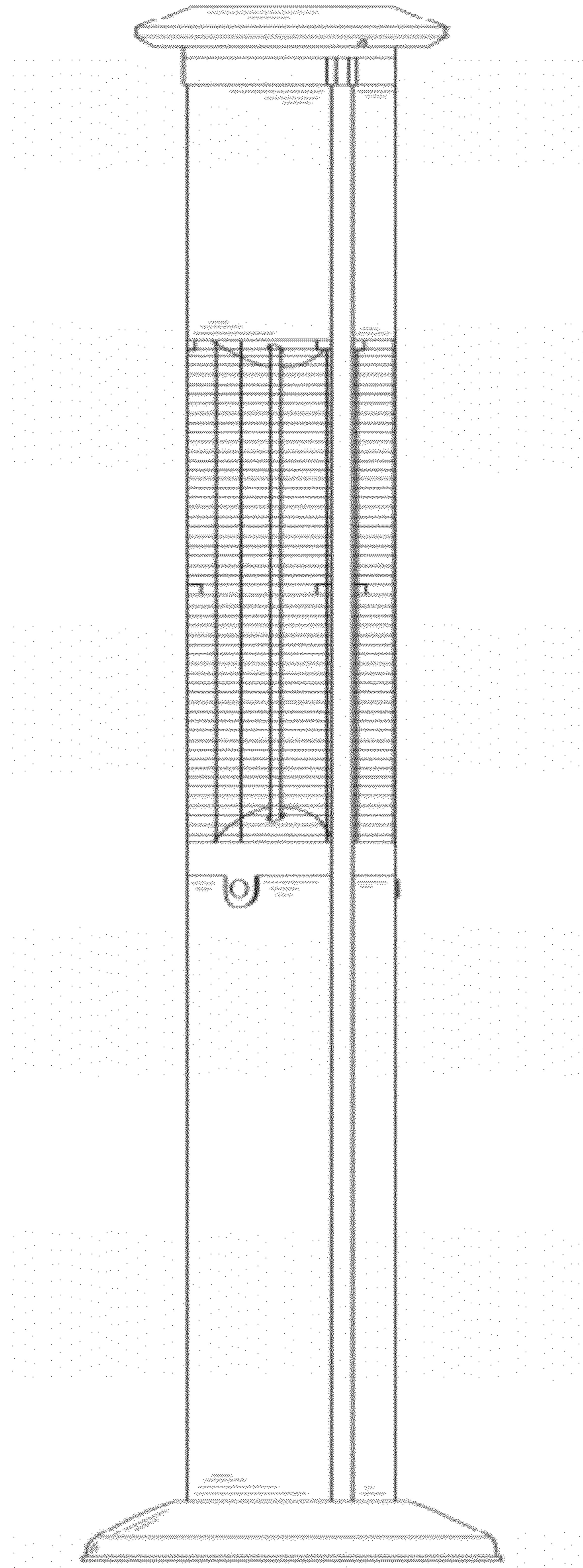


FIG. 3

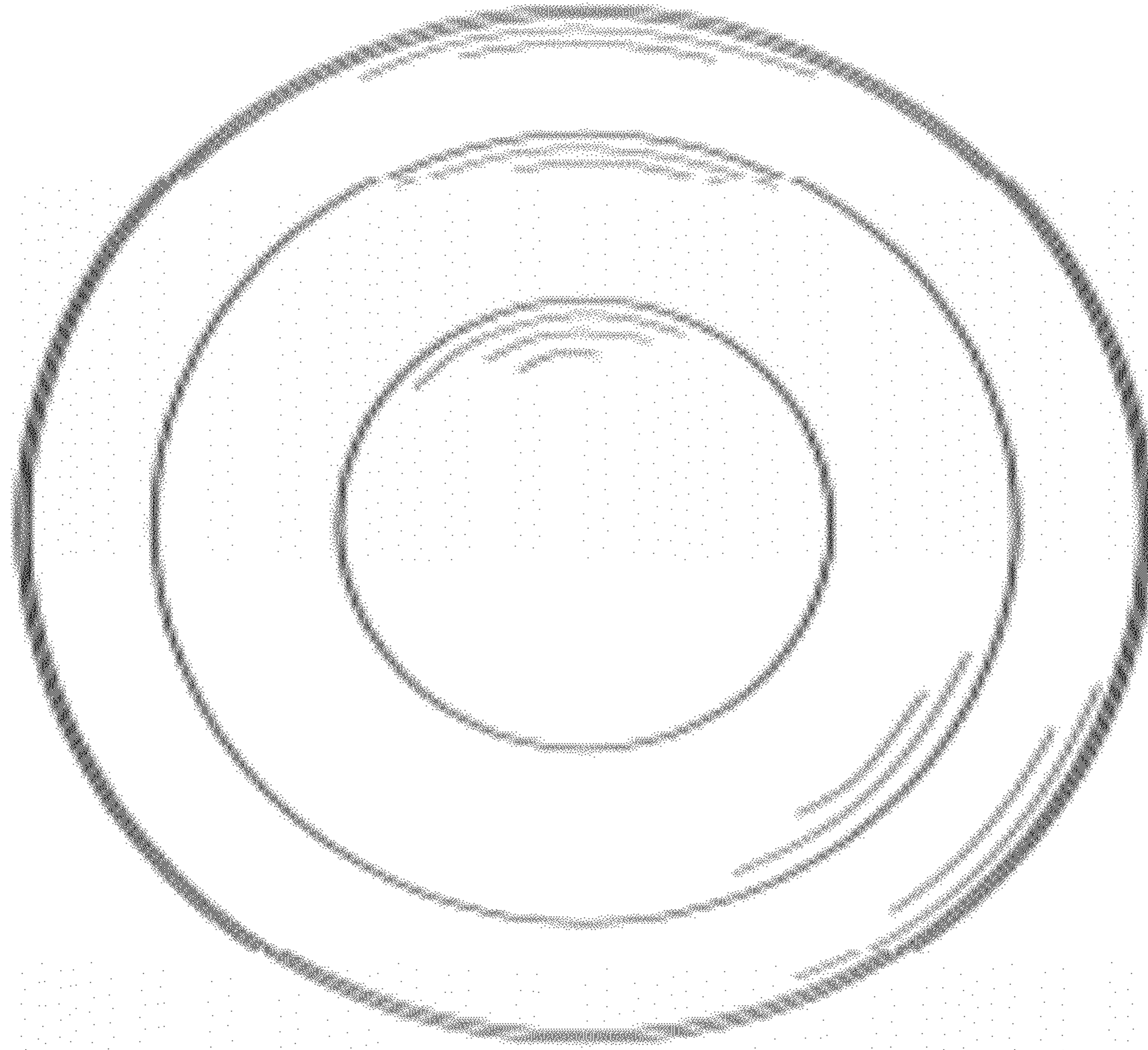


FIG. 4

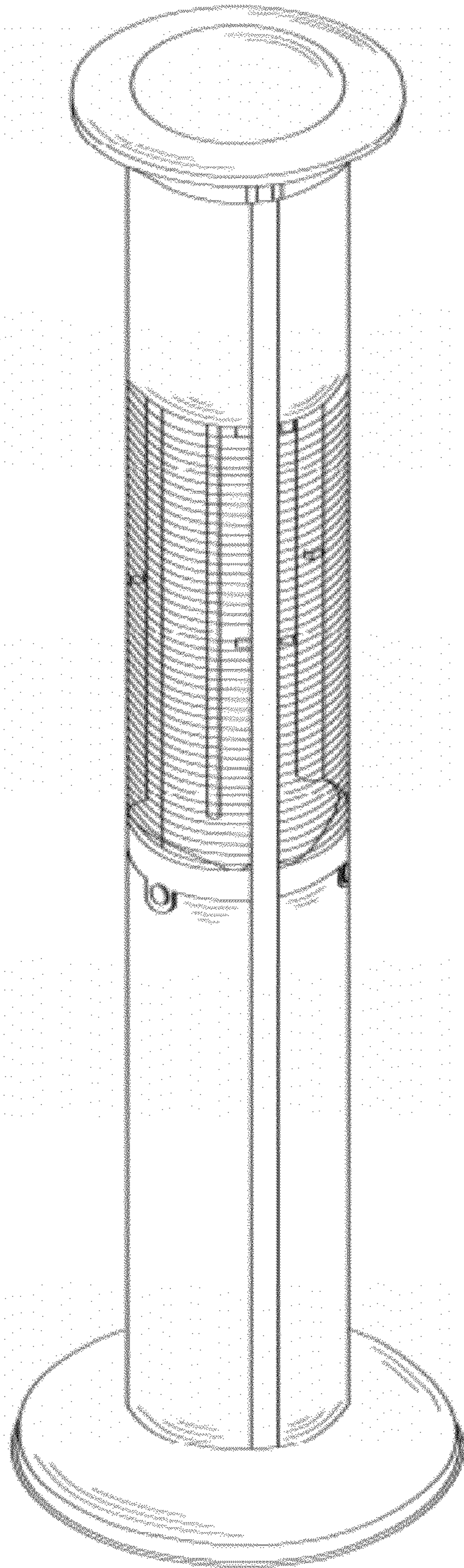


FIG. 5