



US00D663808S

(12) **United States Design Patent**
Eilmus

(10) **Patent No.:** **US D663,808 S**
(45) **Date of Patent:** **** Jul. 17, 2012**

- (54) **SINK**
- (75) Inventor: **Niels Eilmus**, Sheboygan, WI (US)
- (73) Assignee: **Kohler Co.**, Kohler, WI (US)
- (**) Term: **14 Years**
- (21) Appl. No.: **29/414,160**
- (22) Filed: **Feb. 24, 2012**

- D504,716 S 5/2005 Bayer
- D508,984 S 8/2005 Gordon
- D510,418 S 10/2005 Painter
- D517,177 S 3/2006 Blomstrom
- D526,393 S 8/2006 Blomstrom
- D570,460 S 6/2008 Painter
- D570,969 S 6/2008 Kitzmiller
- D634,876 S 3/2011 McGrath
- D641,073 S 7/2011 Booth
- D645,549 S 9/2011 Booth

Primary Examiner — Robert Delehanty
(74) *Attorney, Agent, or Firm* — Foley & Lardner LLP

Related U.S. Application Data

- (62) Division of application No. 29/394,690, filed on Jun. 20, 2011.
- (51) **LOC (9) Cl.** **23-02**
- (52) **U.S. Cl.** **D23/308**
- (58) **Field of Classification Search** D23/284–28, D23/291, 292, 289, 293.1, 308; 4/619
See application file for complete search history.

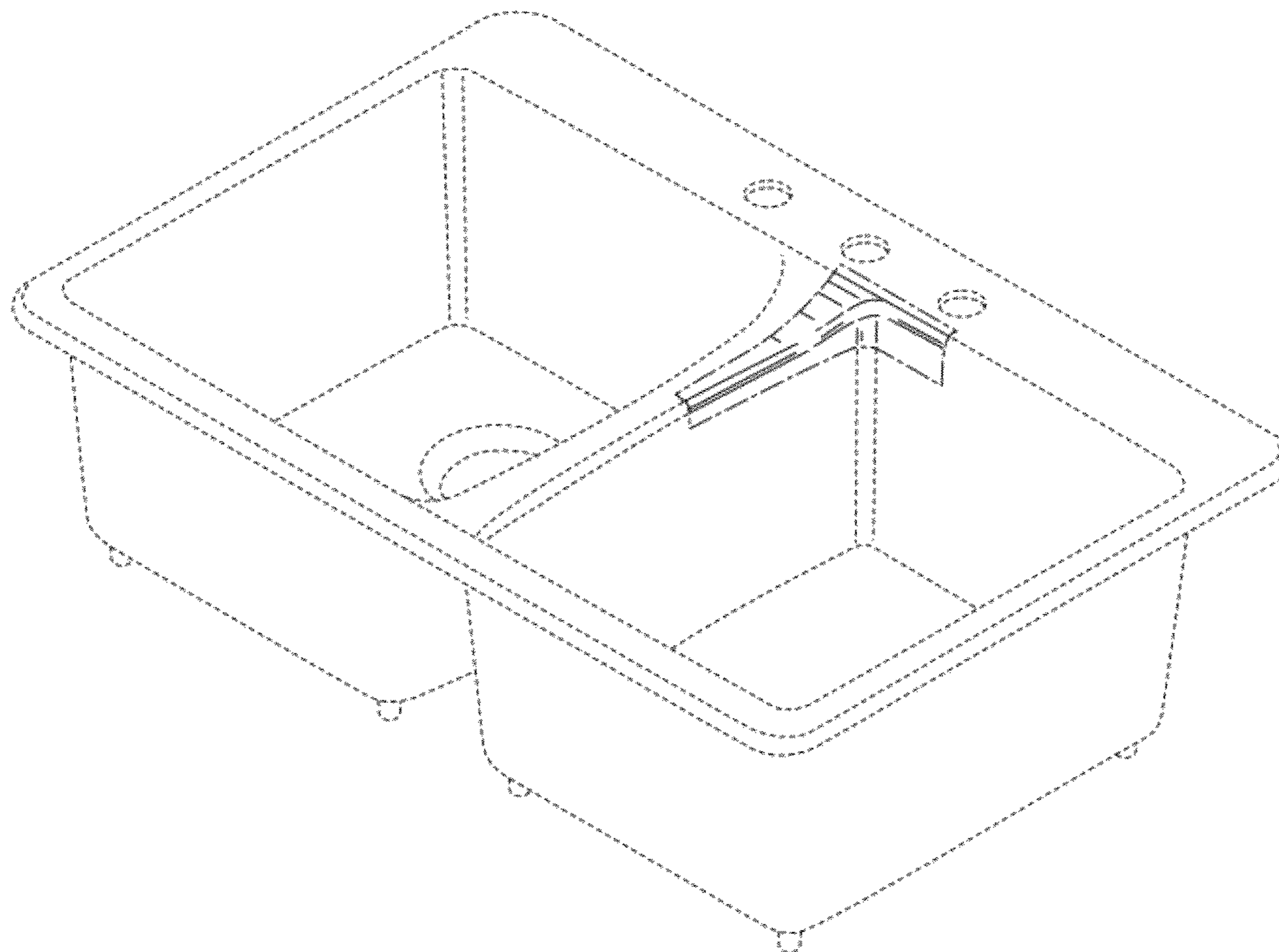
(57) **CLAIM**
We claim the ornamental design for a sink, as shown and described.

DESCRIPTION

FIG. 1 is a top perspective view of an embodiment of the claimed design;
FIG. 2 is a top plan view of the claimed design of FIG. 1;
FIG. 3 is a front view of the claimed design of FIG. 1;
FIG. 4 is a right-side view of the claimed design of FIG. 1;
FIG. 5 is a left-side view of the claimed design of FIG. 1;
FIG. 6 is a rear view of the claimed design of FIG. 1; and,
FIG. 7 is a bottom plan view of the claimed design of FIG. 1.
The ornamental design which is claimed is shown in solid lines in the drawings. The dash-dash broken lines in the drawings are for the purpose of illustrating unclaimed surfaces or environment of the design. The dot-dash-dot broken lines in the drawings define unclaimed boundaries of the design. Thus, the broken lines in the drawings are for illustrative purposes only and form no part of the claimed design.

- (56) **References Cited**
- U.S. PATENT DOCUMENTS
- 5,279,007 A 1/1994 Kolada
- D352,771 S 11/1994 Walsh et al.
- D464,125 S 10/2002 Bayer
- D464,126 S 10/2002 Bayer
- D464,127 S 10/2002 Paredes
- D464,410 S 10/2002 Paredes
- D473,292 S 4/2003 Paredes
- D498,831 S 11/2004 Bayer et al.
- D500,357 S 12/2004 Bayer
- D502,764 S 3/2005 Bayer

1 Claim, 6 Drawing Sheets



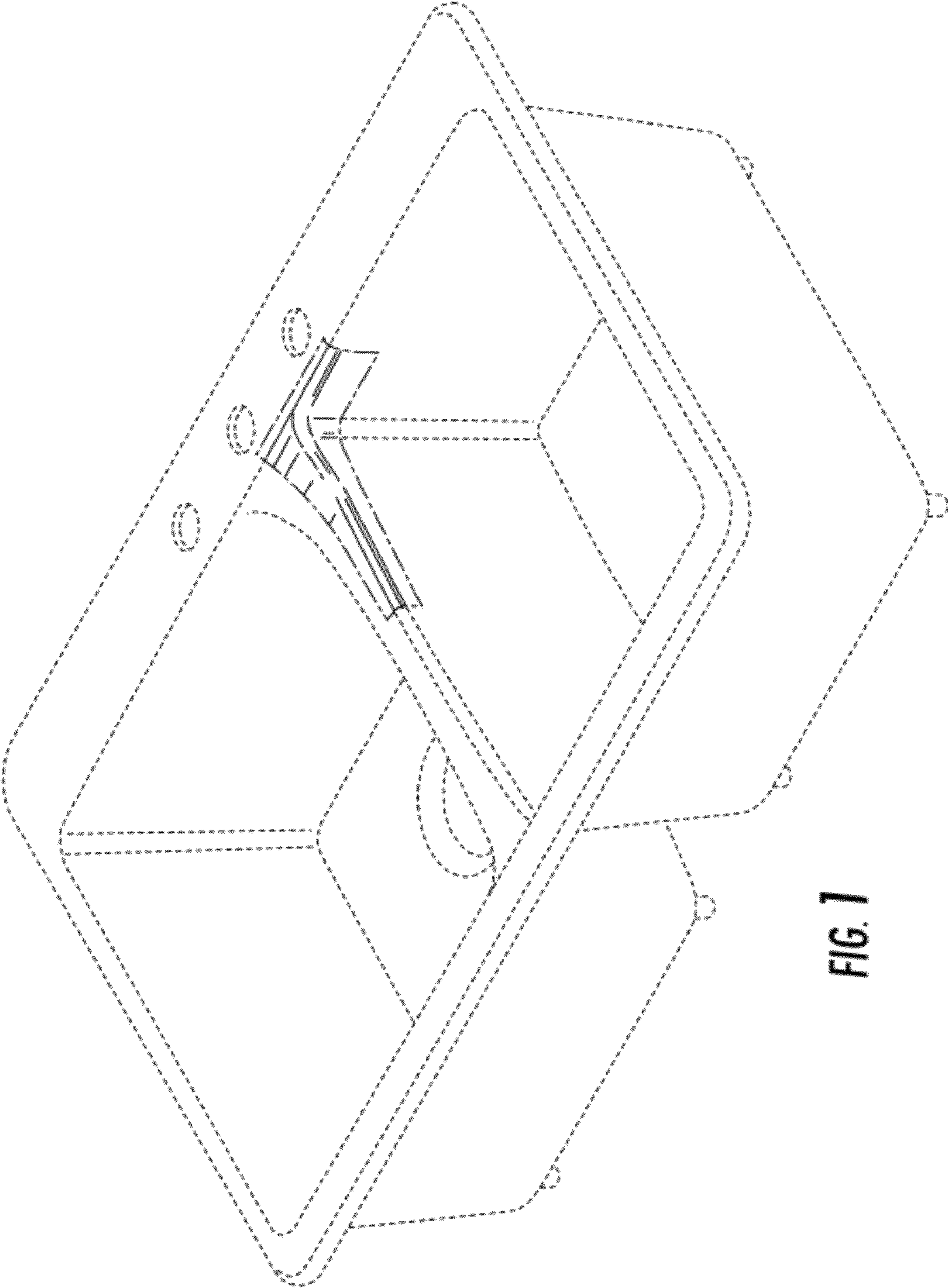


FIG. 7

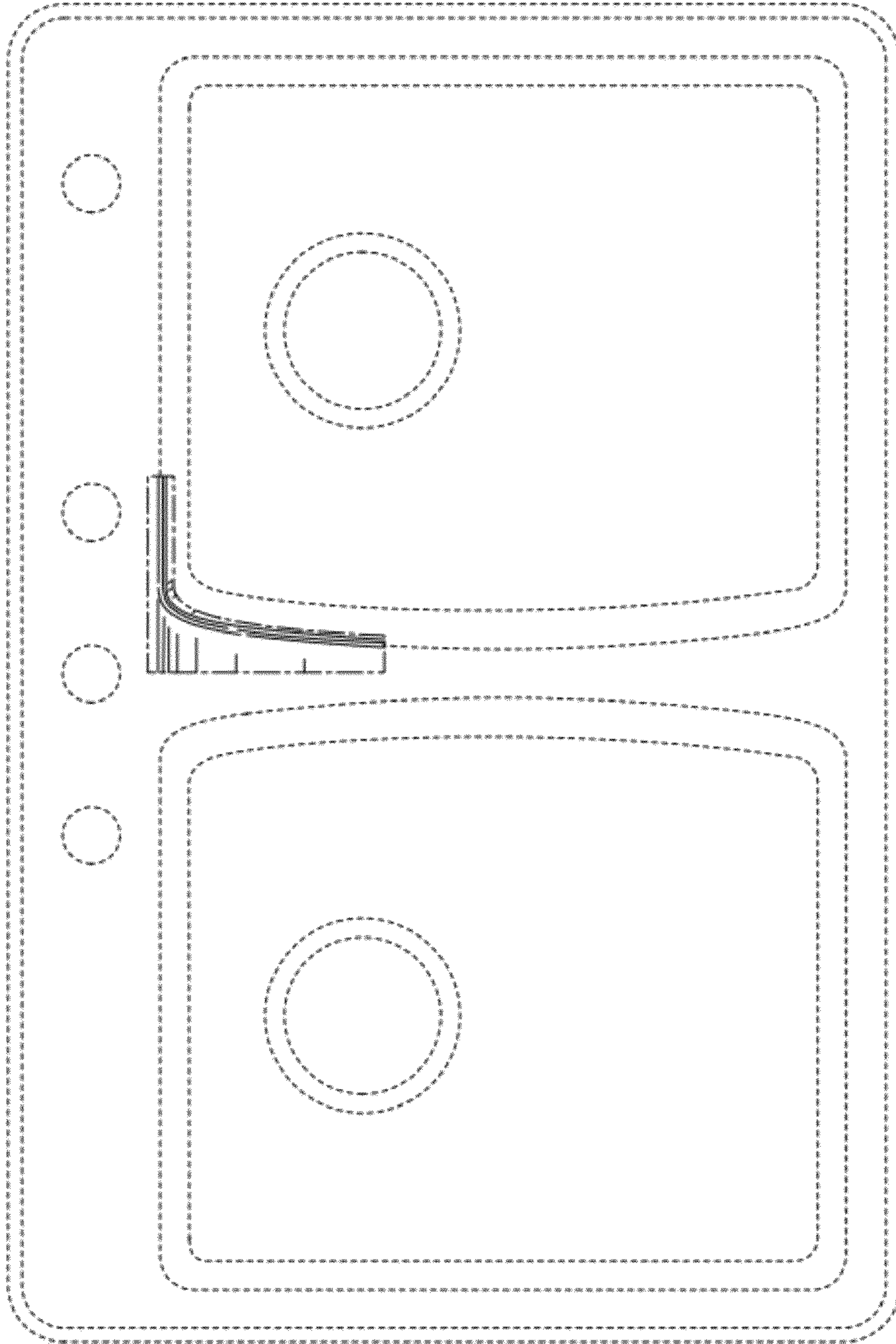


FIG. 2

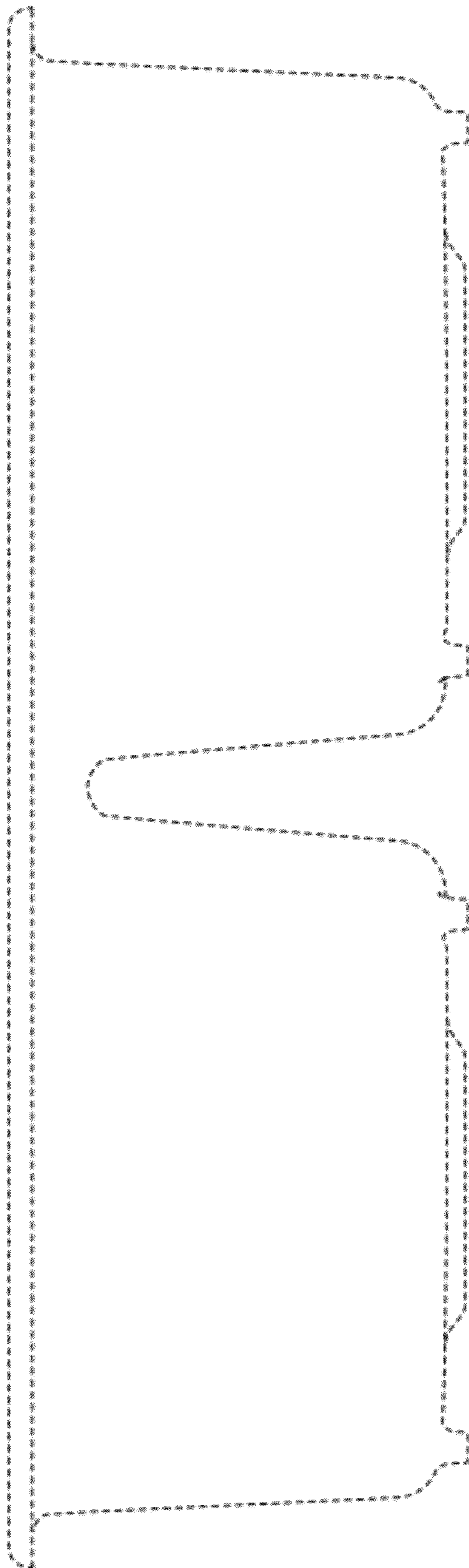


FIG. 3

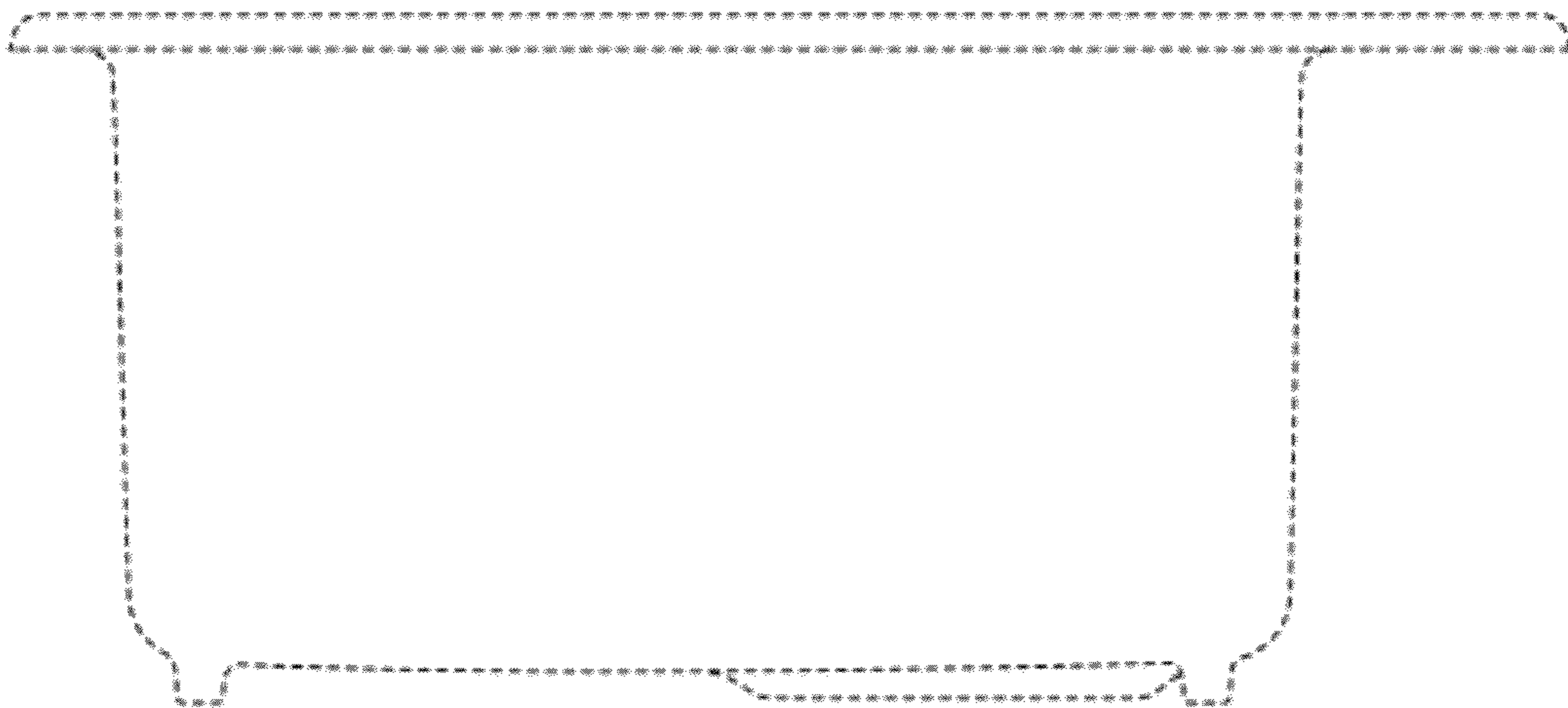


FIG. 4

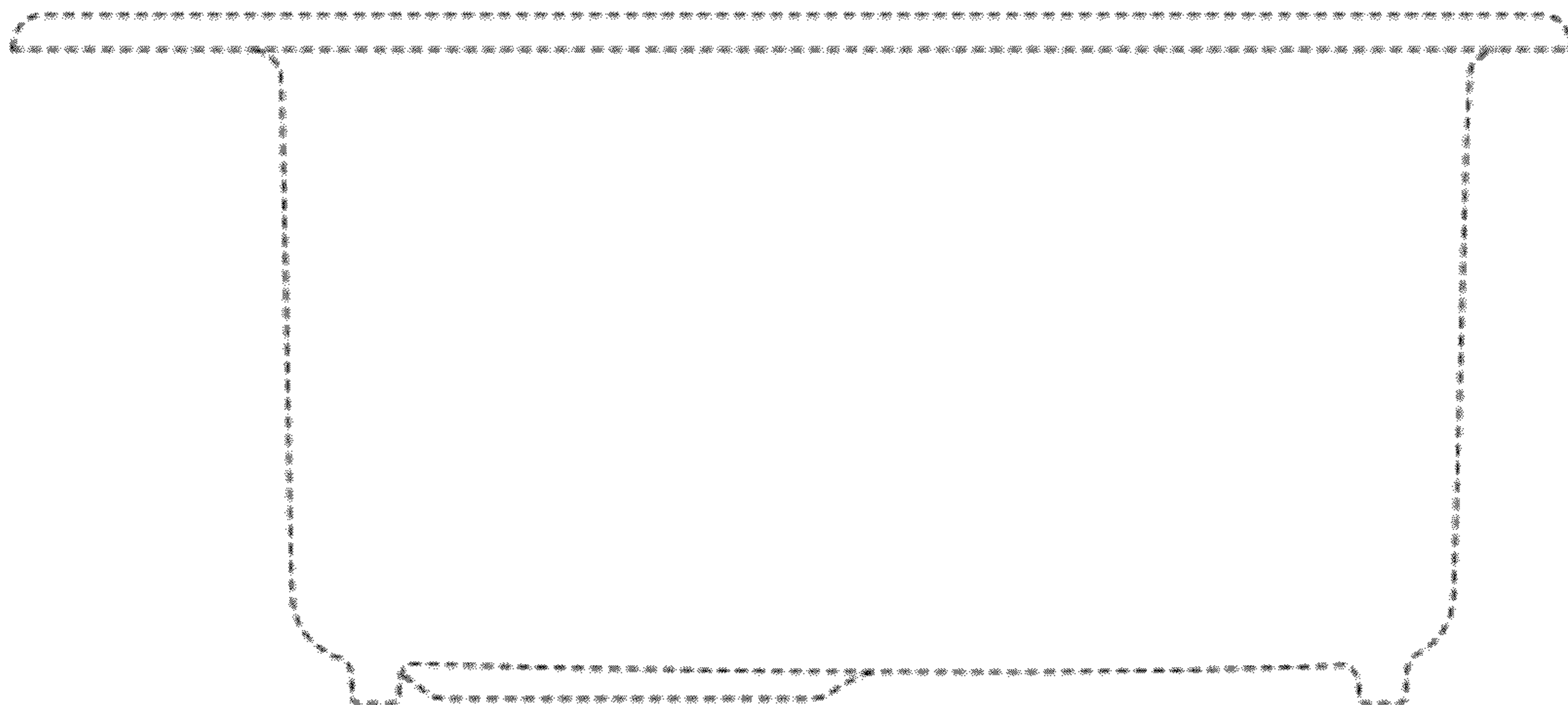


FIG. 5

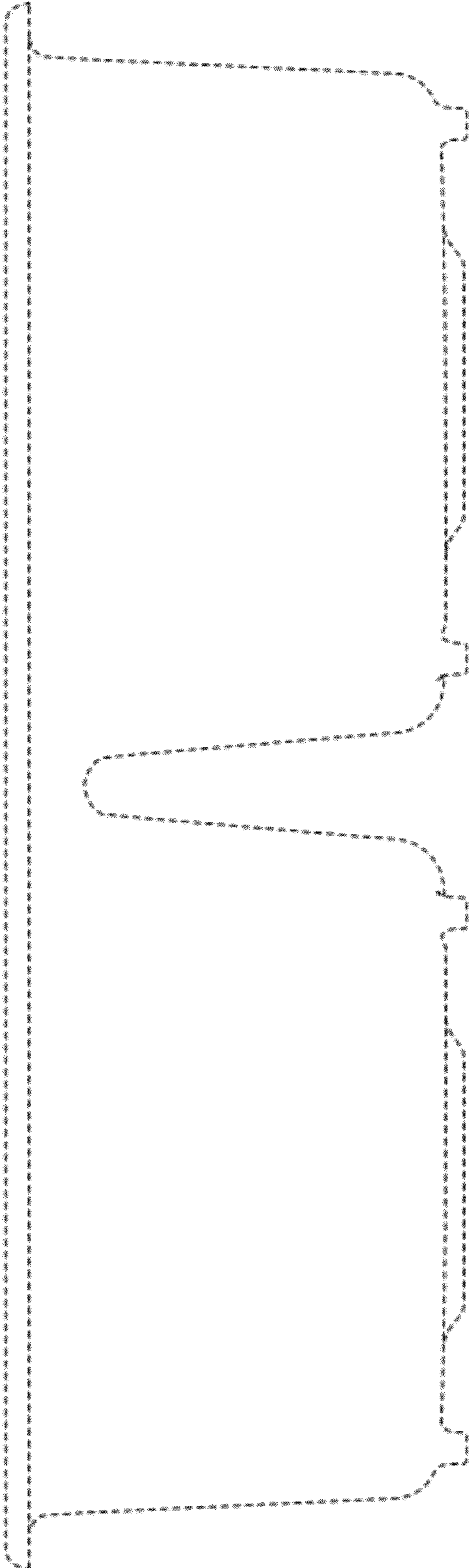


FIG. 6

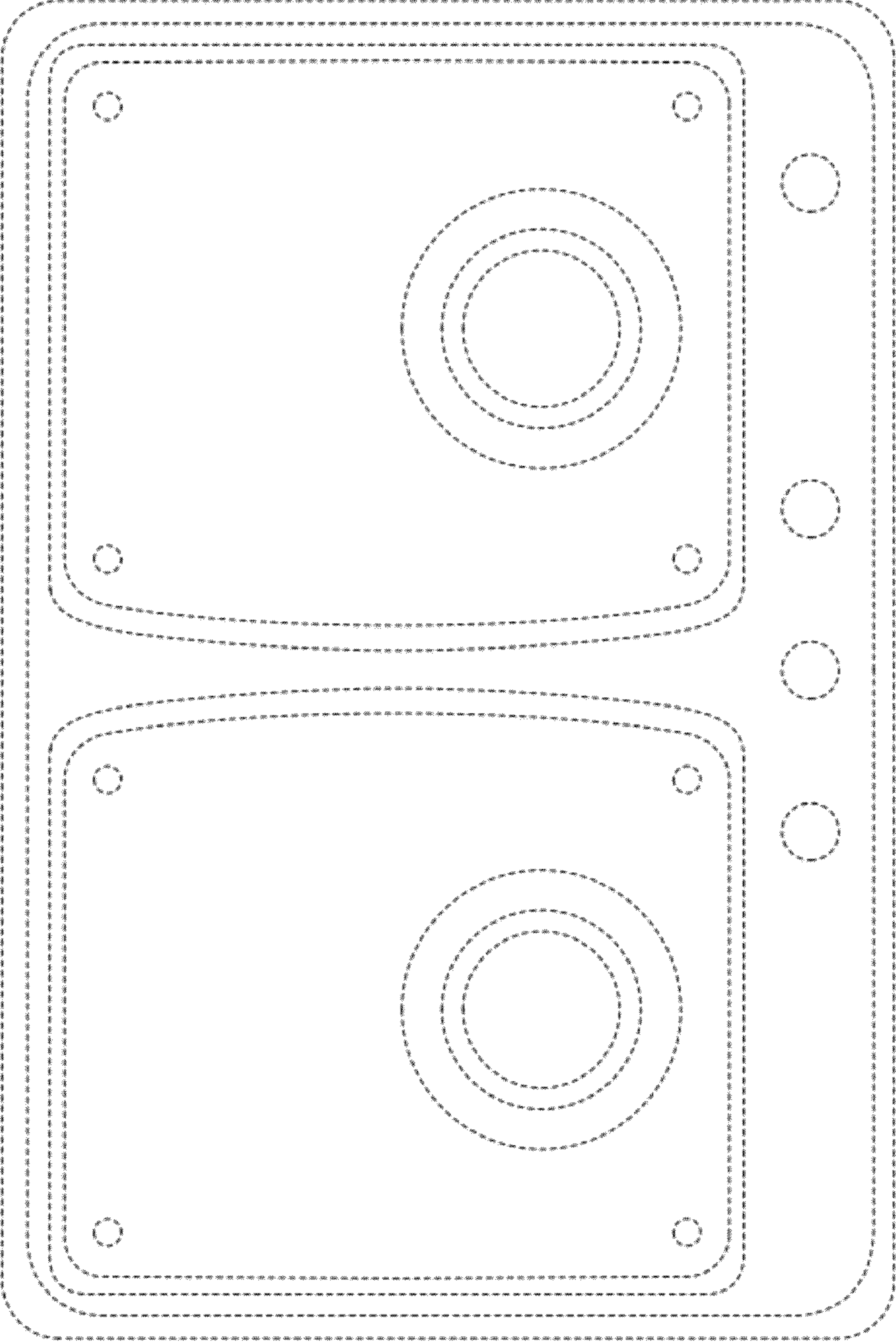


FIG. 7