



US00D663807S

(12) **United States Design Patent**
Pursley

(10) **Patent No.:** **US D663,807 S**

(45) **Date of Patent:** **** Jul. 17, 2012**

(54) **LEAK CATCHING PIPE FLANGE**

(76) Inventor: **Paul Pursley**, Springdale, AR (US)

(**) Term: **14 Years**

(21) Appl. No.: **29/370,115**

(22) Filed: **Jun. 8, 2010**

(51) **LOC (9) Cl.** **23-01**

(52) **U.S. Cl.** **D23/262**

(58) **Field of Classification Search** D23/259-262;
285/369, 372, 373, 417

See application file for complete search history.

(56) **References Cited**

U.S. PATENT DOCUMENTS

446,685	A	2/1891	Jacobs	
538,603	A	4/1895	Simpson	
631,185	A	8/1899	Sherwin	
799,982	A	9/1905	Graham	
1,263,789	A	4/1918	Morrison	
2,471,708	A	5/1949	White	
4,576,666	A *	3/1986	Harris et al.	156/85
4,813,718	A *	3/1989	Matter et al.	285/373
4,940,820	A *	7/1990	Pithouse et al.	428/34.9
5,117,597	A	6/1992	Feller	52/199
5,415,440	A *	5/1995	Kanao	277/625
D423,307	S *	4/2000	Dittmann, Jr.	D7/700
D483,095	S *	12/2003	Snyder et al.	D23/262
D484,577	S *	12/2003	Brue et al.	D23/259
7,252,310	B2 *	8/2007	Amedure et al.	285/419
D558,305	S *	12/2007	Dill et al.	D23/261
7,475,919	B2 *	1/2009	Hiernard et al.	285/419
D617,426	S *	6/2010	Zeyfang	D23/260

D631,142	S *	1/2011	Angell	D23/262
D637,697	S *	5/2011	Steiner	D23/262
D649,228	S *	11/2011	Drenth	D23/259
8,047,577	B2 *	11/2011	Zeiber	285/242
2004/0222633	A1 *	11/2004	Amedure et al.	285/373
2007/0252389	A1 *	11/2007	Milici et al.	285/369
2010/0320757	A1 *	12/2010	Ward	285/417

* cited by examiner

Primary Examiner — T. Chase Nelson

Assistant Examiner — Eric Goodman

(74) *Attorney, Agent, or Firm* — Keisling & Pieper PLC;
David B. Pieper

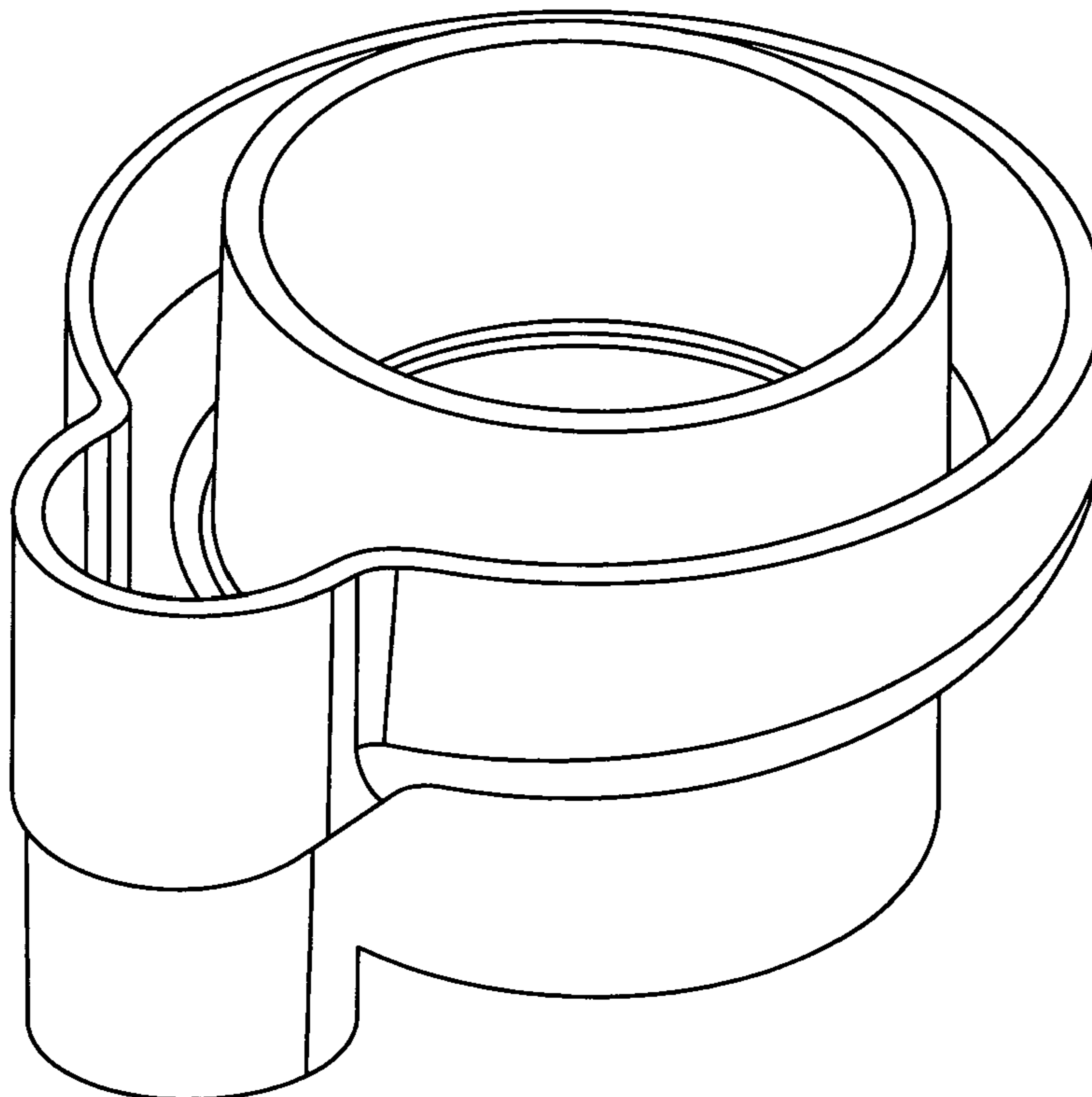
(57) **CLAIM**

The ornamental design for a leak catching pipe flange, as shown and described.

DESCRIPTION

FIG. 1 is a perspective view of a leak catching pipe flange showing my new design;
 FIG. 2 is a front view thereof;
 FIG. 3 is a back view thereof;
 FIG. 4 is a left side view thereof; and,
 FIG. 5 is a right side view thereof;
 FIG. 6 is a top view thereof;
 FIG. 7 is a bottom view thereof;
 FIG. 8 is another perspective view thereof; and,
 FIG. 9 is a sectional view thereof showing the internal drain and pipe seating structures visible from the open top and bottom of the device, taken along line 9-9 as shown in FIG. 6.

1 Claim, 5 Drawing Sheets



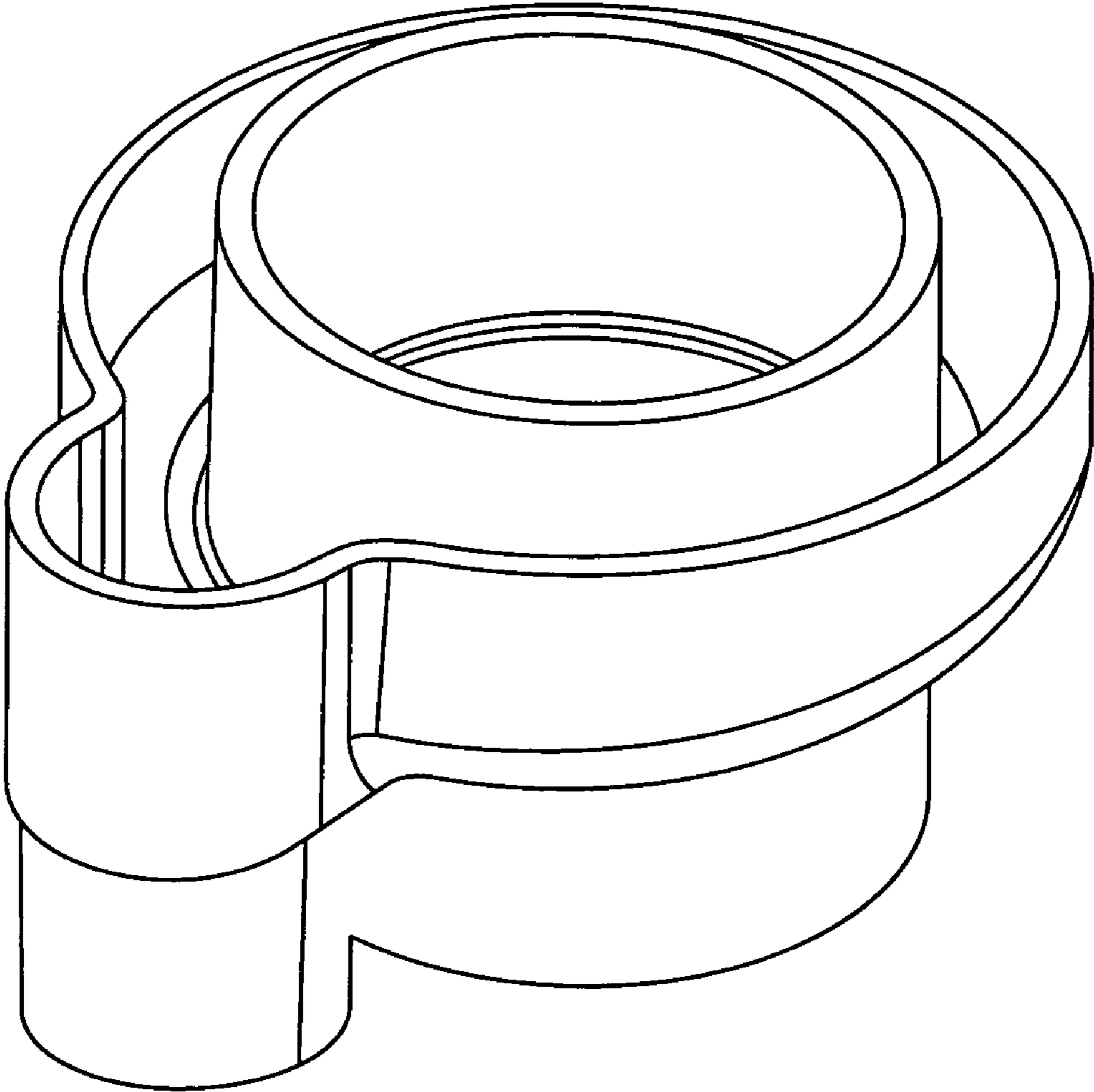


FIG. 1

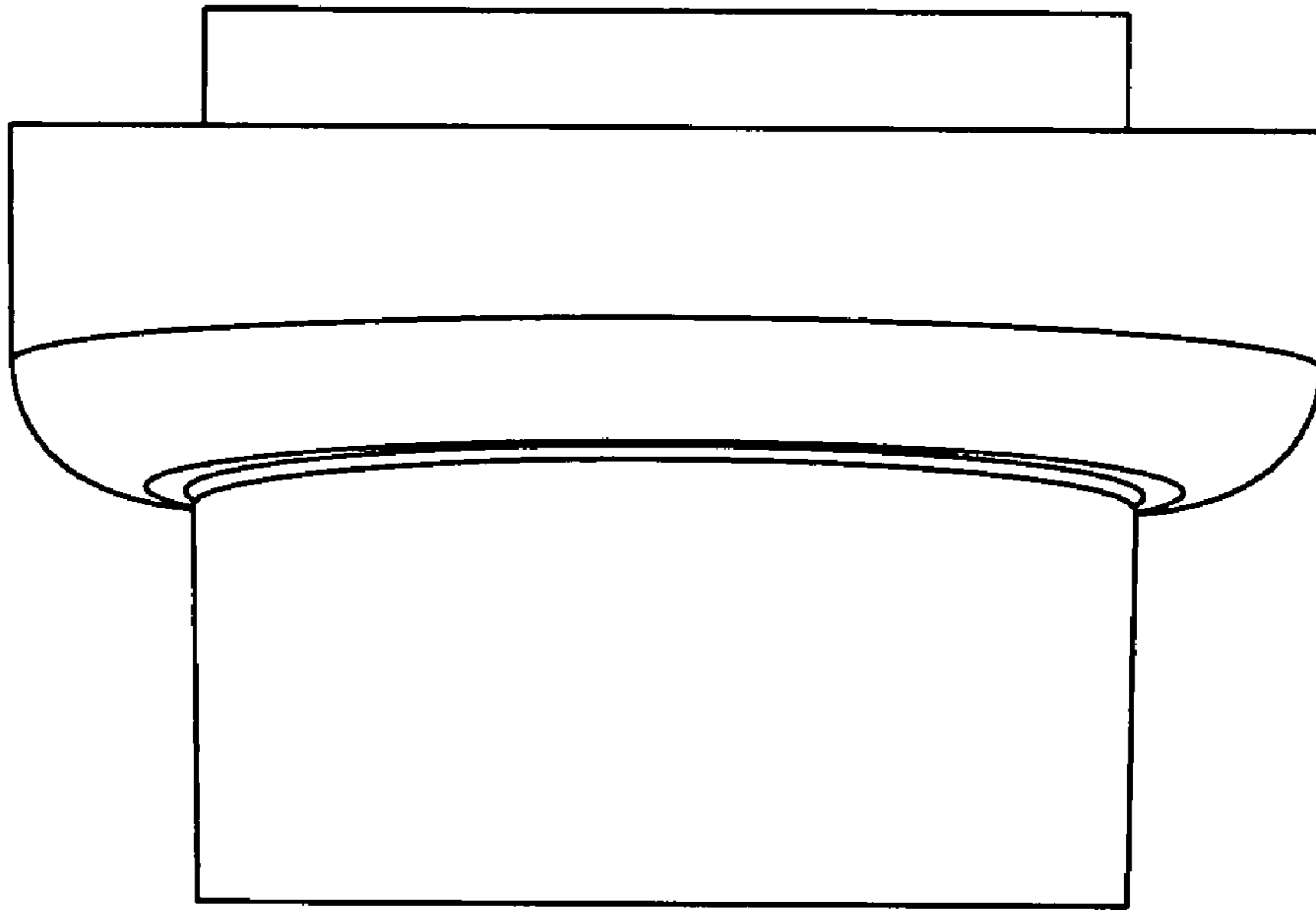


FIG. 2

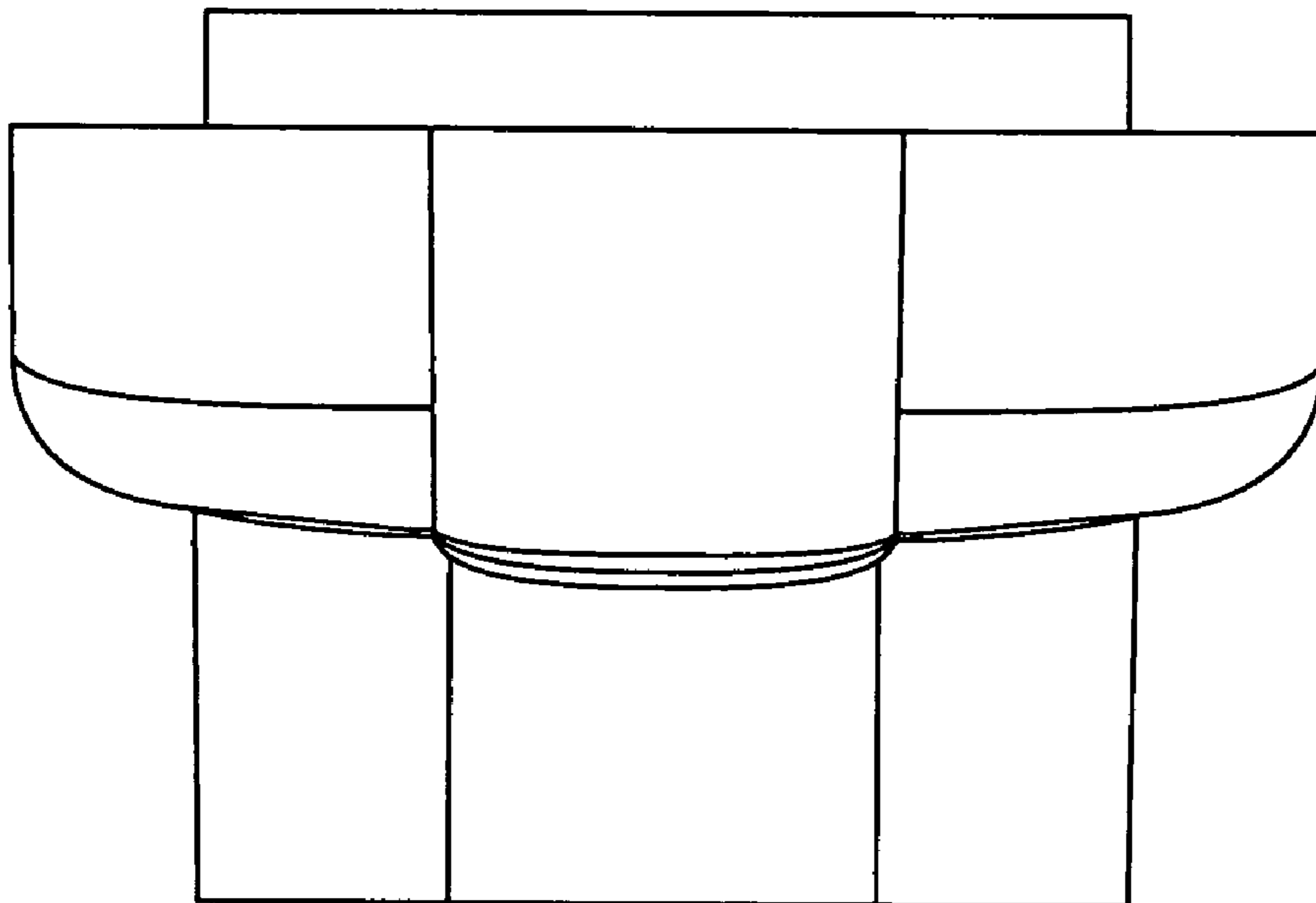


FIG. 3

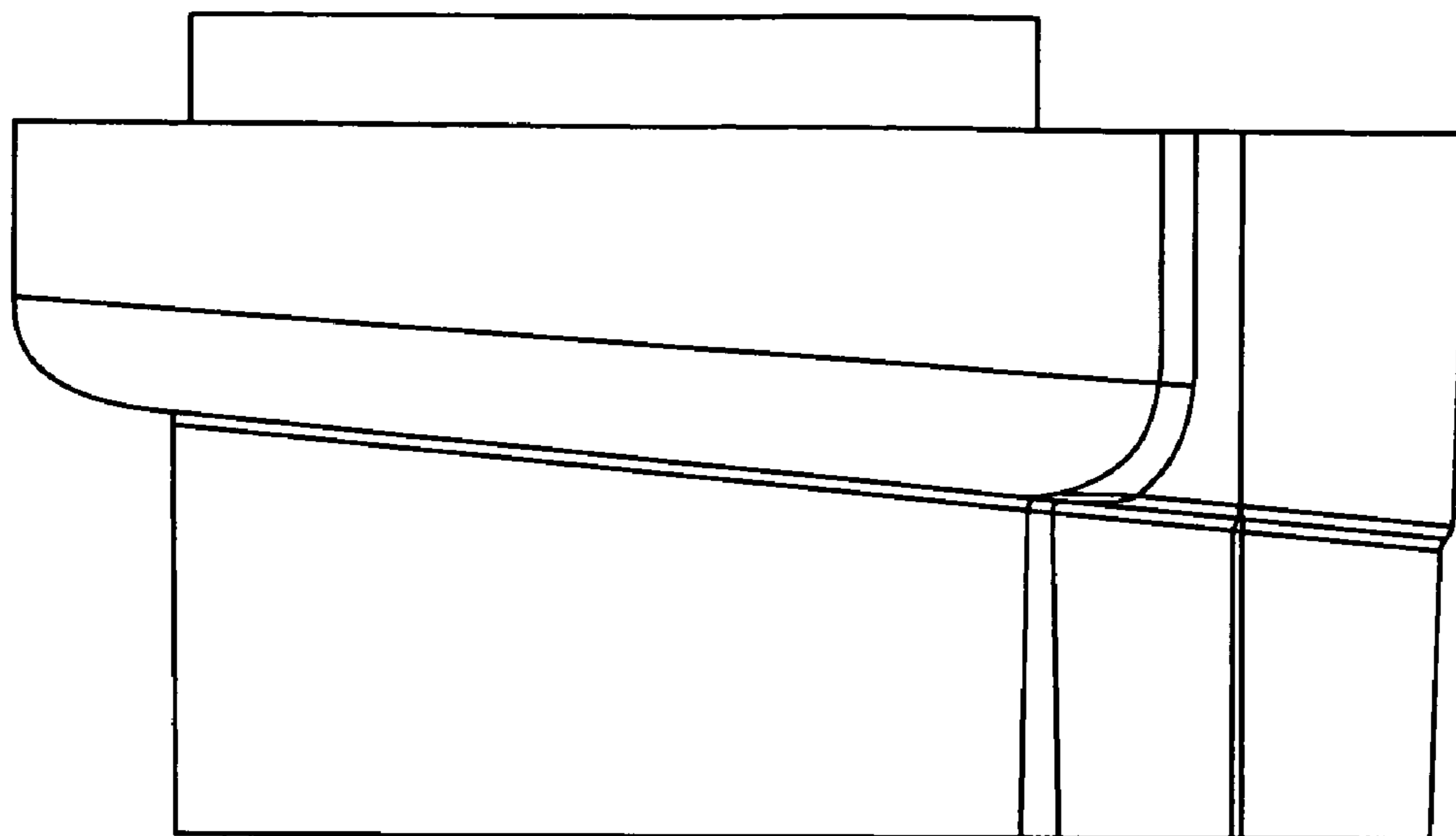


FIG. 4

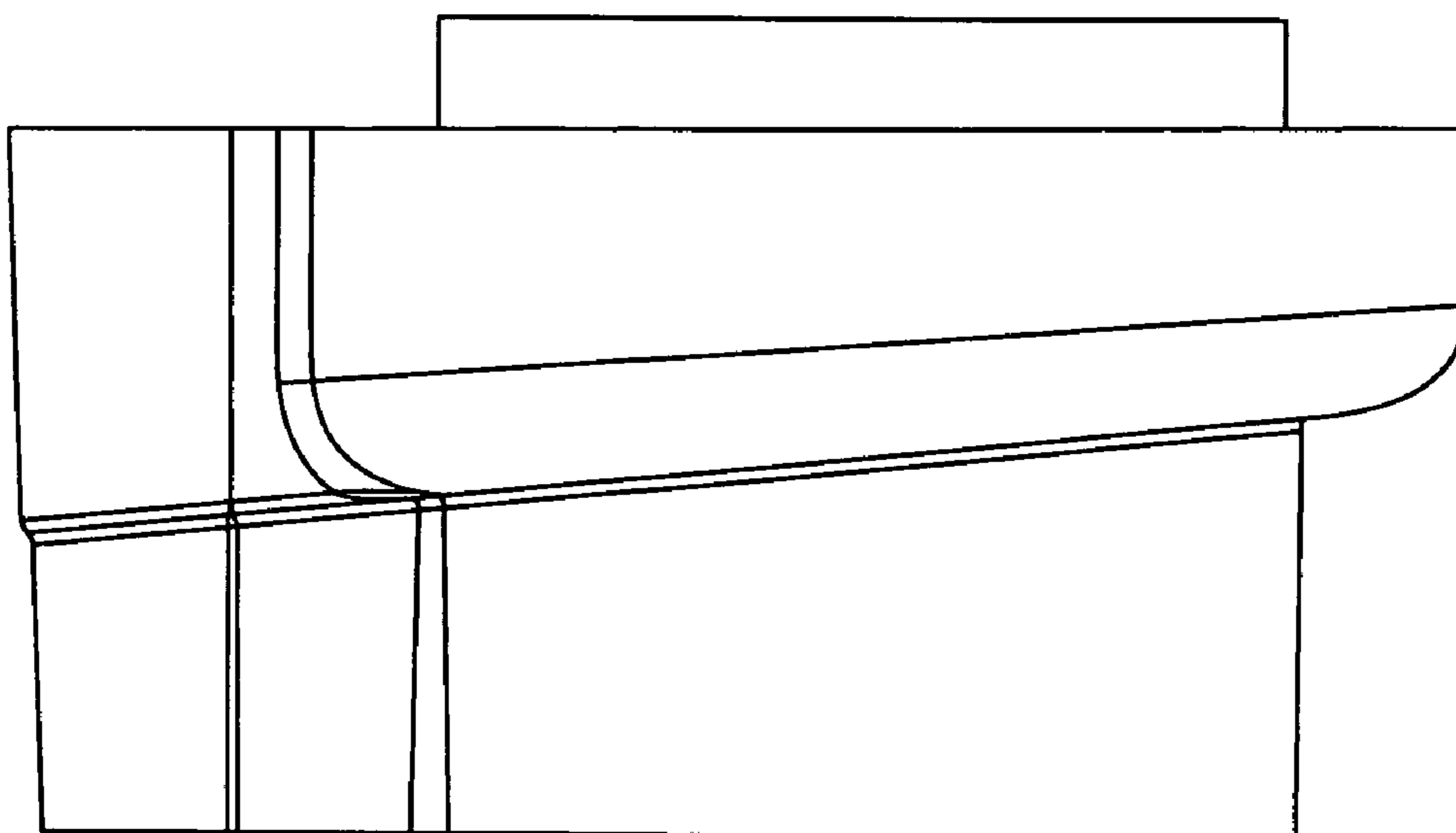


FIG. 5

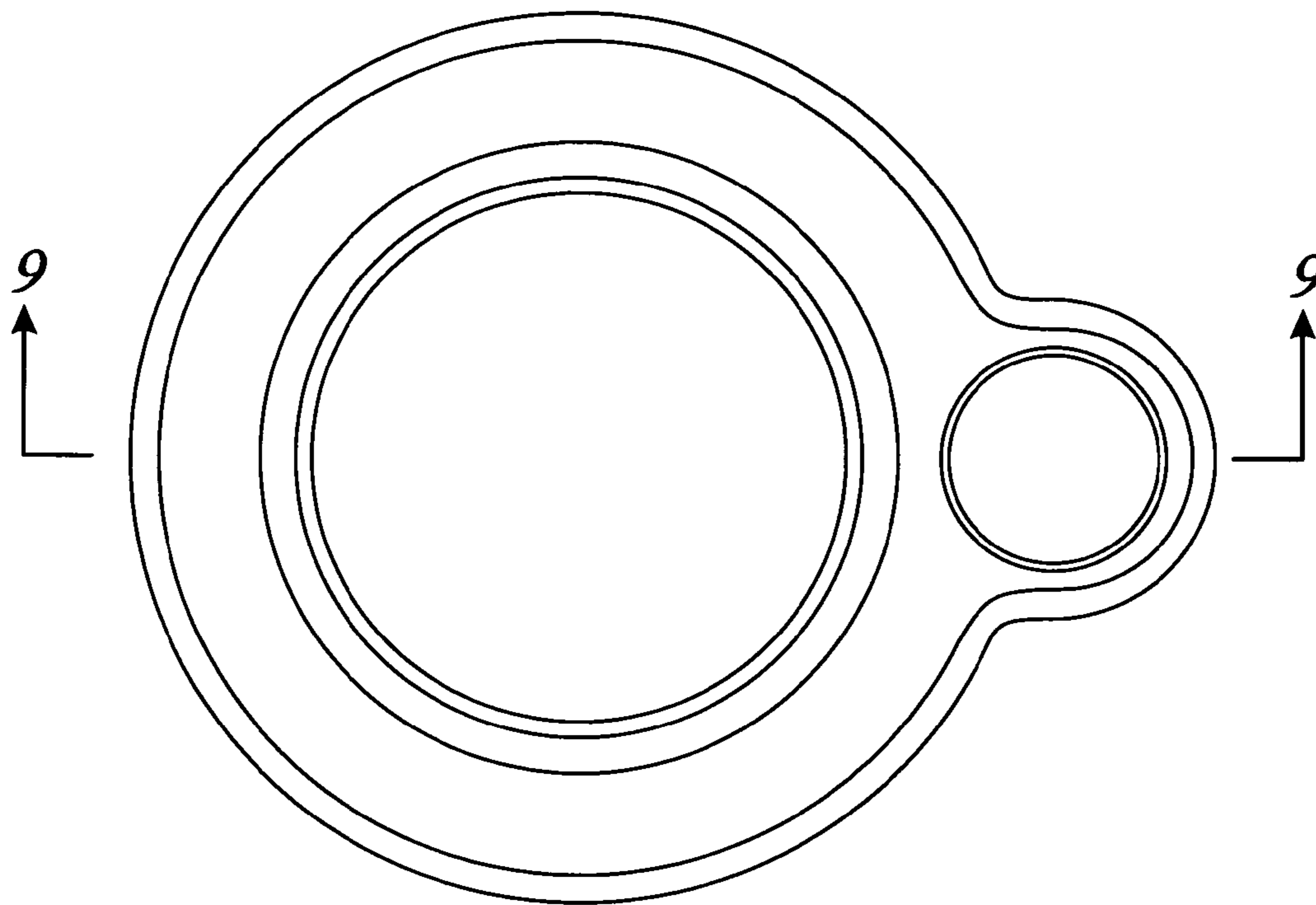


FIG. 6

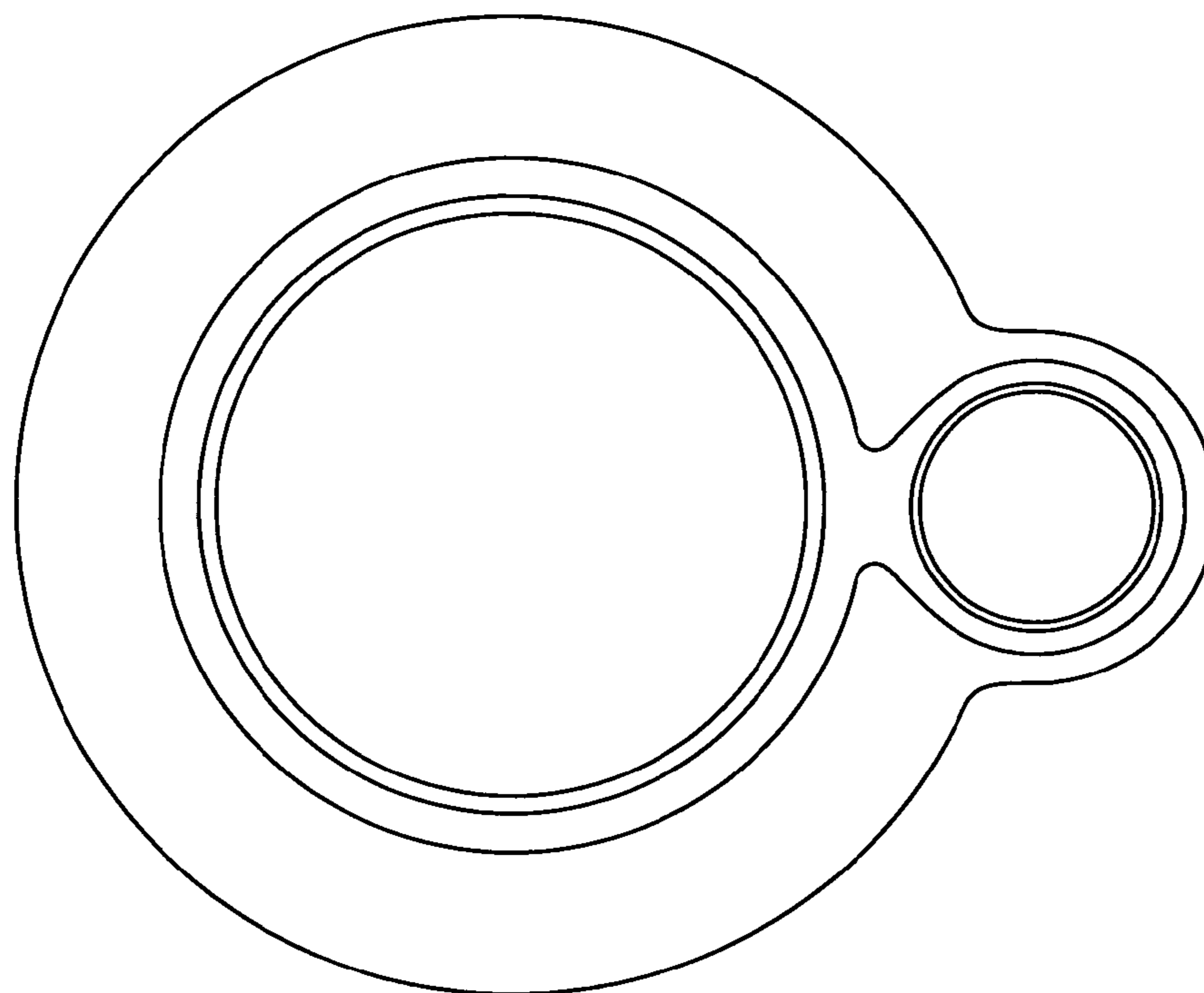


FIG. 7

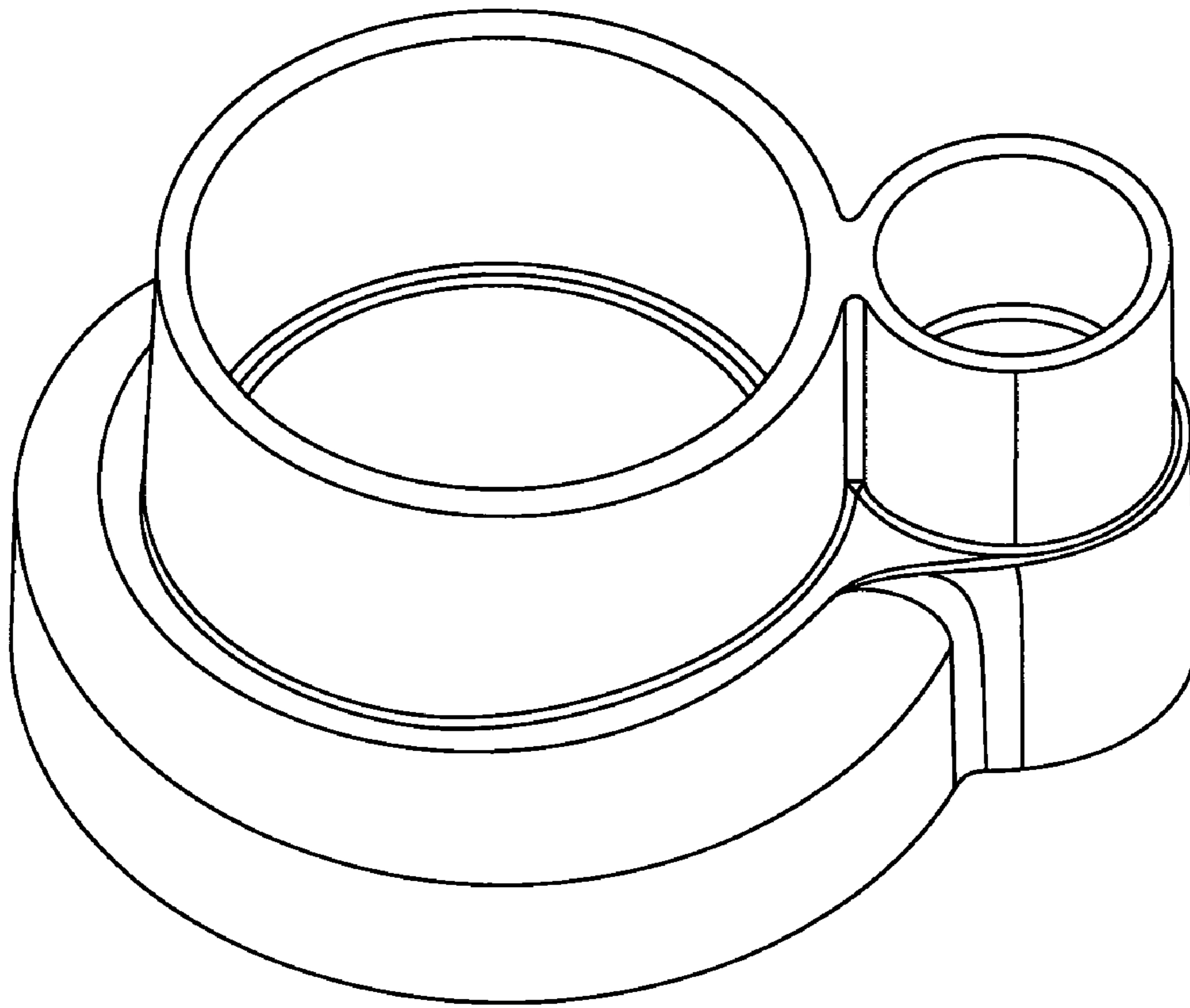


FIG. 8

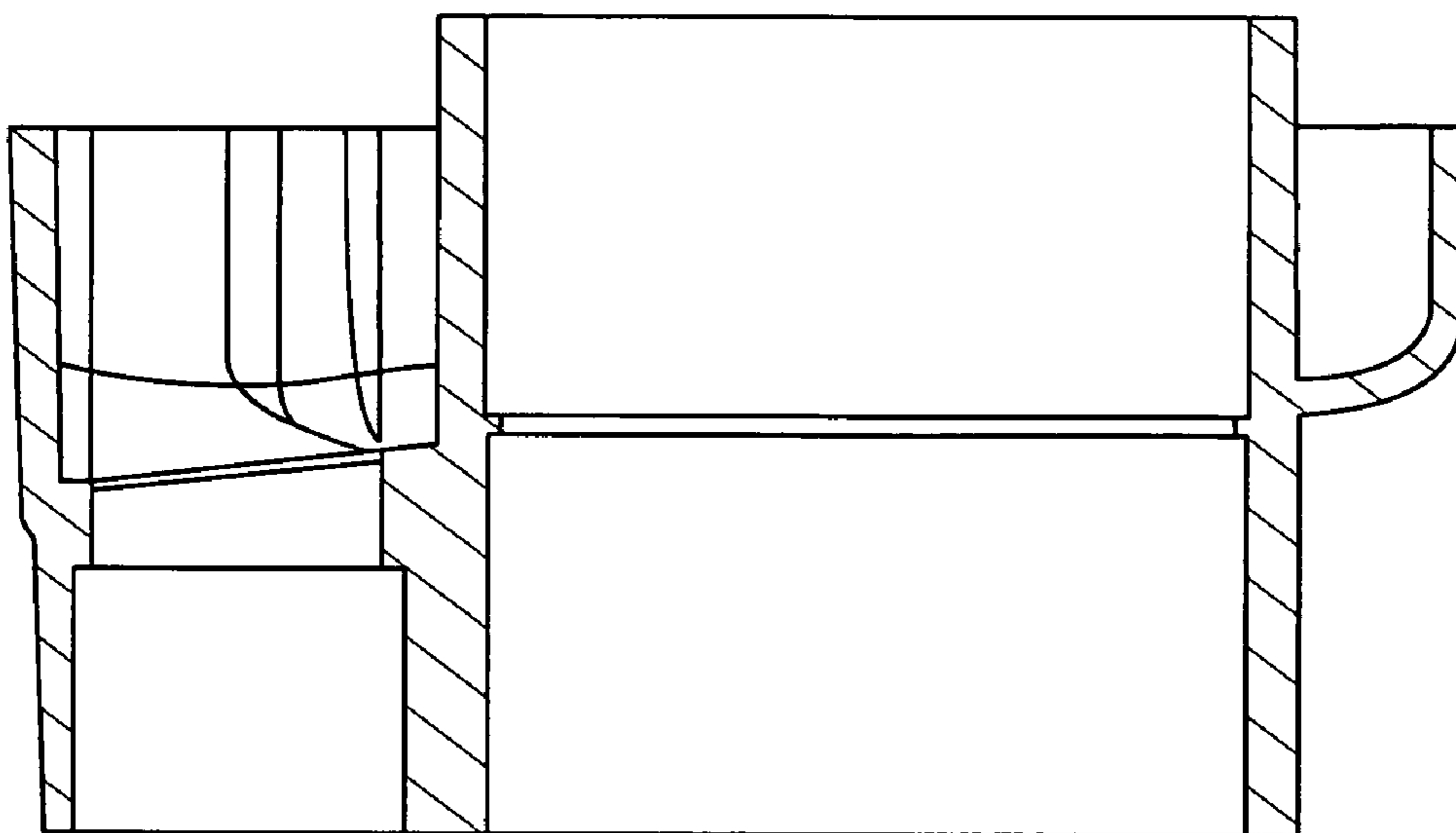


FIG. 9