

US00D663805S

(12) **United States Design Patent**
Downey

(10) **Patent No.:** **US D663,805 S**
(45) **Date of Patent:** **** Jul. 17, 2012**

(54) **SHOWER HANDLE**

(75) Inventor: **David R. Downey**, Mission Viejo, CA (US)

(73) Assignee: **Price Pfister, Inc.**, Lake Forest, CA (US)

(**) Term: **14 Years**

(21) Appl. No.: **29/392,564**

(22) Filed: **May 24, 2011**

(51) **LOC (9) Cl.** **23-02**

(52) **U.S. Cl.** **D23/252**

(58) **Field of Classification Search** D23/238-242,
D23/250-252, 254; 4/675-678; 137/801,
137/359; D8/350-353

See application file for complete search history.

(56) **References Cited**

U.S. PATENT DOCUMENTS

D582,007 S * 12/2008 Ko D23/238
D648,832 S * 11/2011 Downey D23/252

* cited by examiner

Primary Examiner — Robert Delehanty

(74) *Attorney, Agent, or Firm* — Richard J. Veltman; John D. Delponti

(57) **CLAIM**

The ornamental design for a shower handle, as shown and described.

DESCRIPTION

FIG. 1 is a perspective view of a shower handle showing a new design;

FIG. 2 is a front view thereof;

FIG. 3 is a back view thereof;

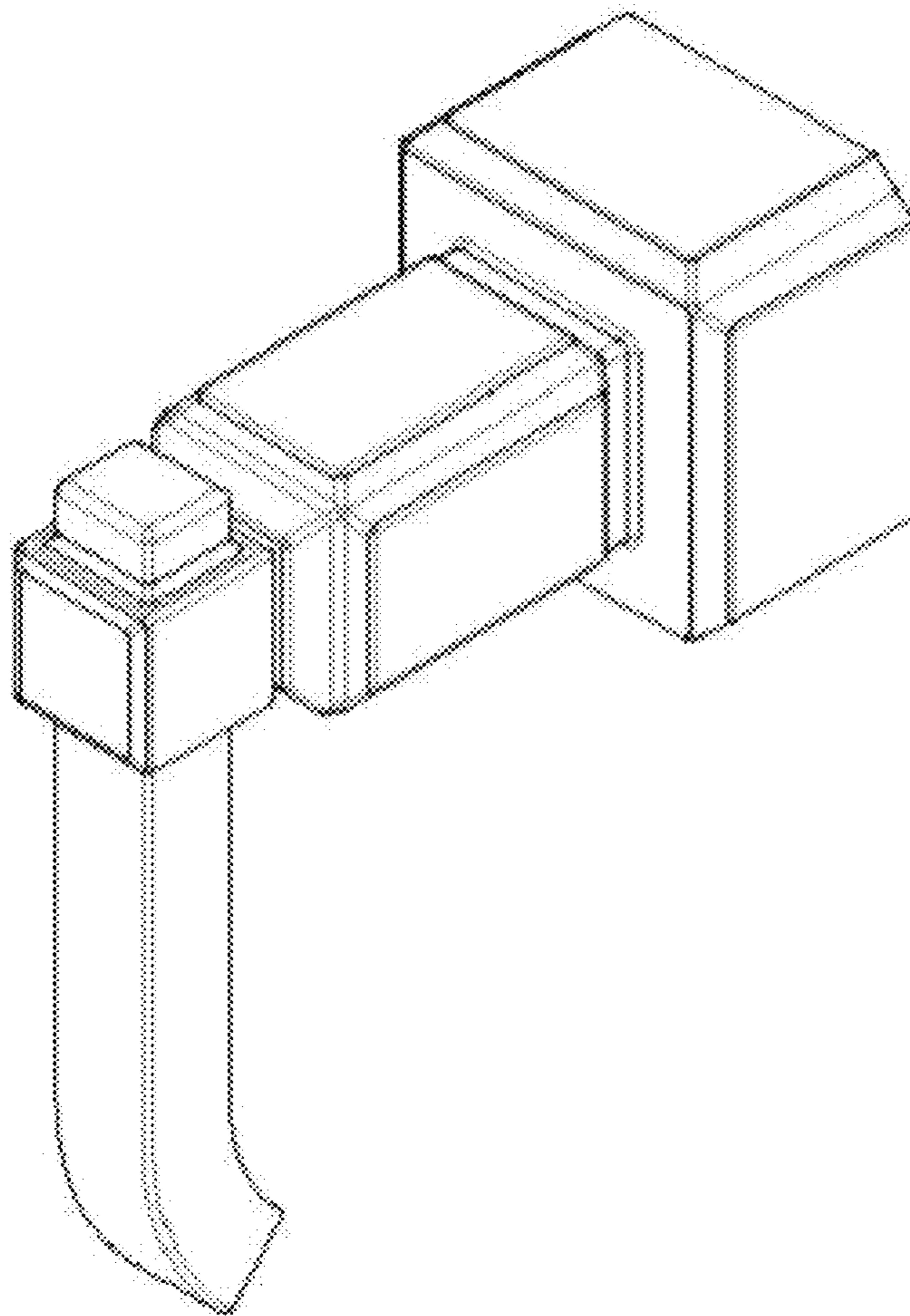
FIG. 4 is a top view thereof;

FIG. 5 is a bottom view thereof; and,

FIG. 6 is a left side view thereof; the right side view being a mirror image.

The broken lines in the Figures are for illustrative purposes only and form no part of the claimed design.

1 Claim, 4 Drawing Sheets



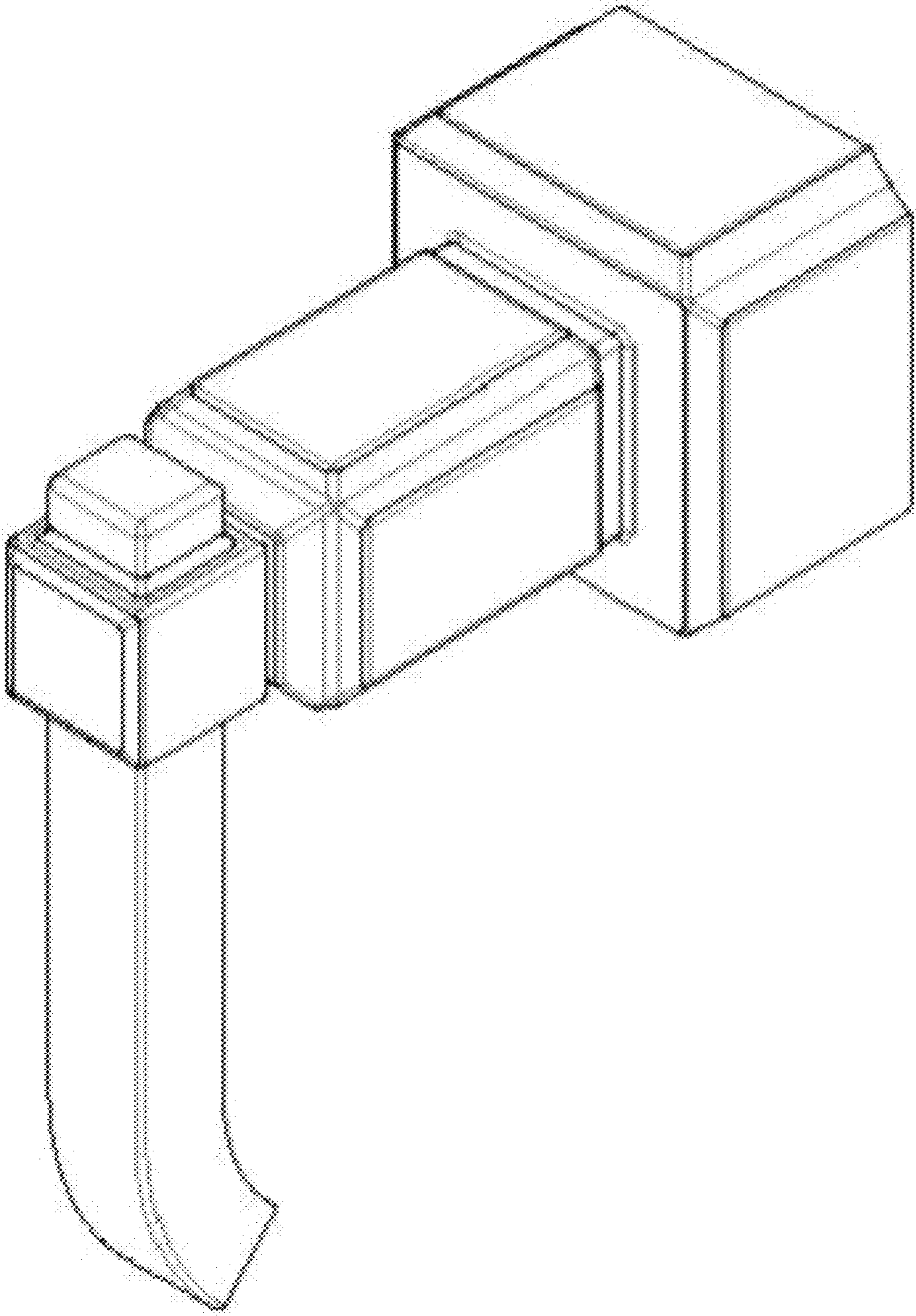


FIG. 1

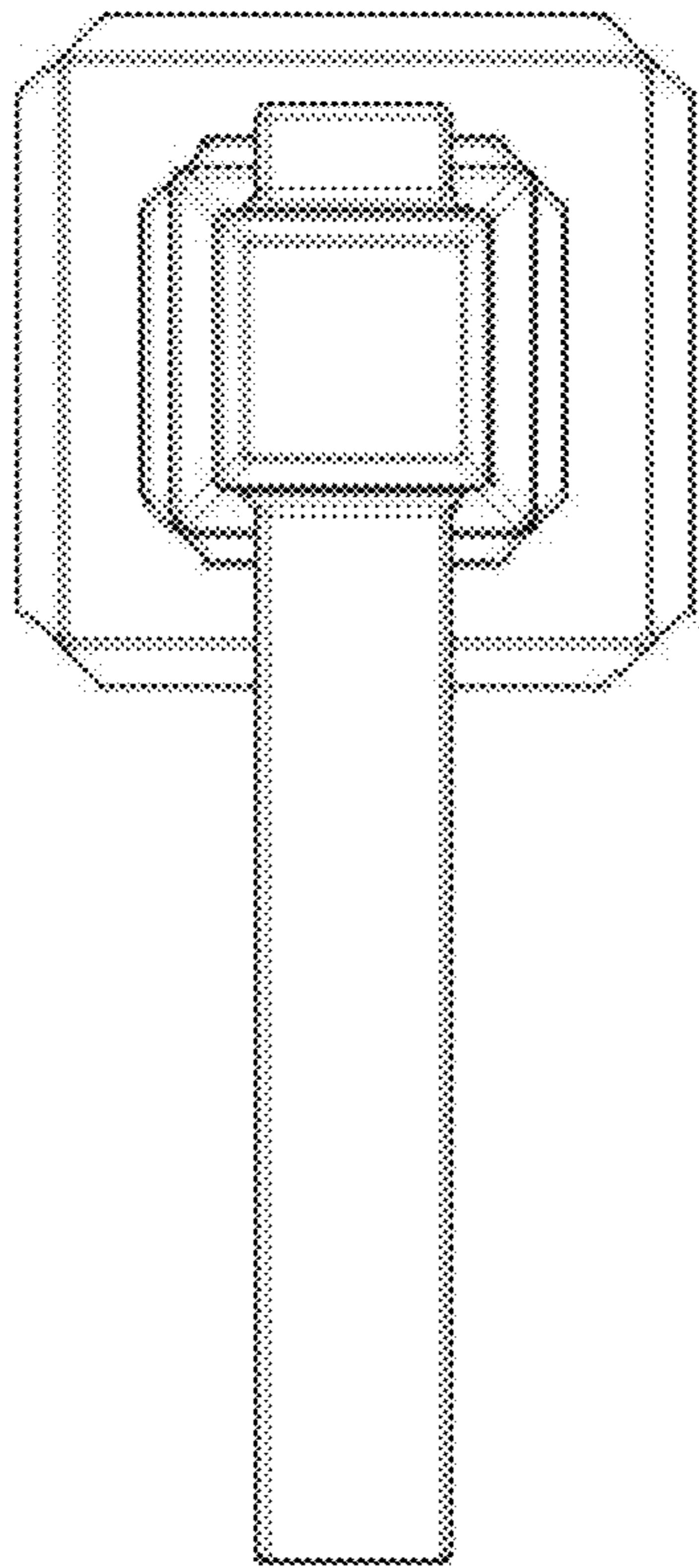


FIG. 2

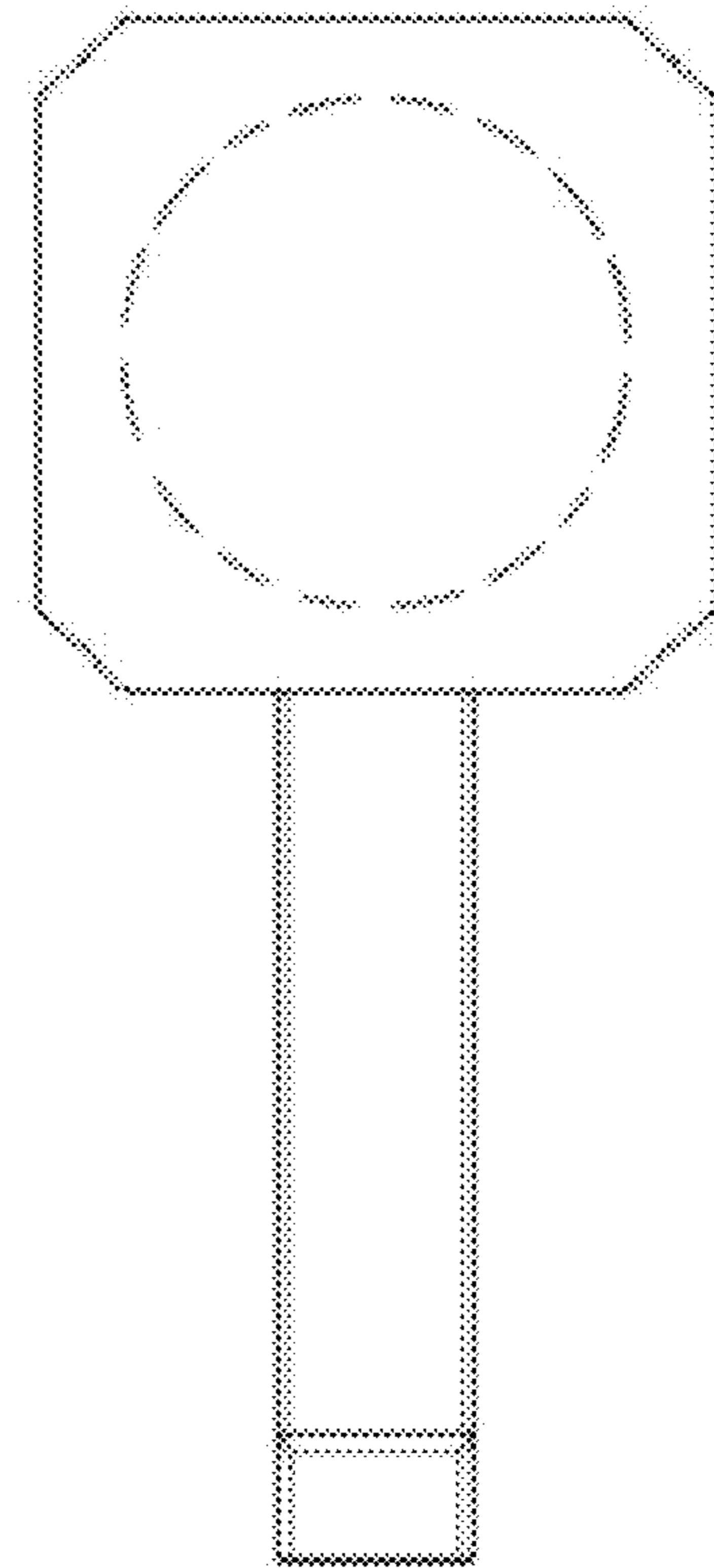


FIG. 3

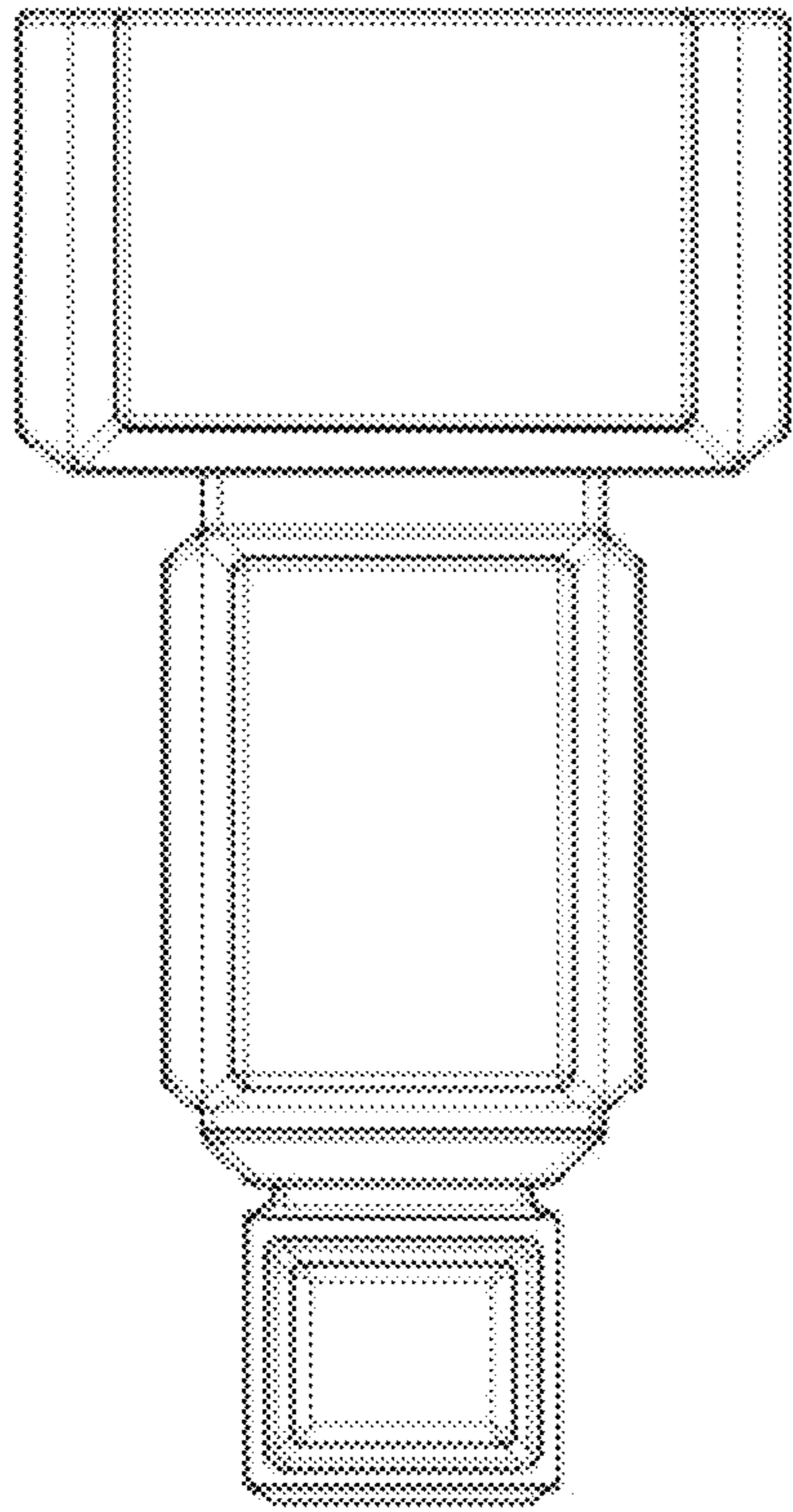


FIG. 4

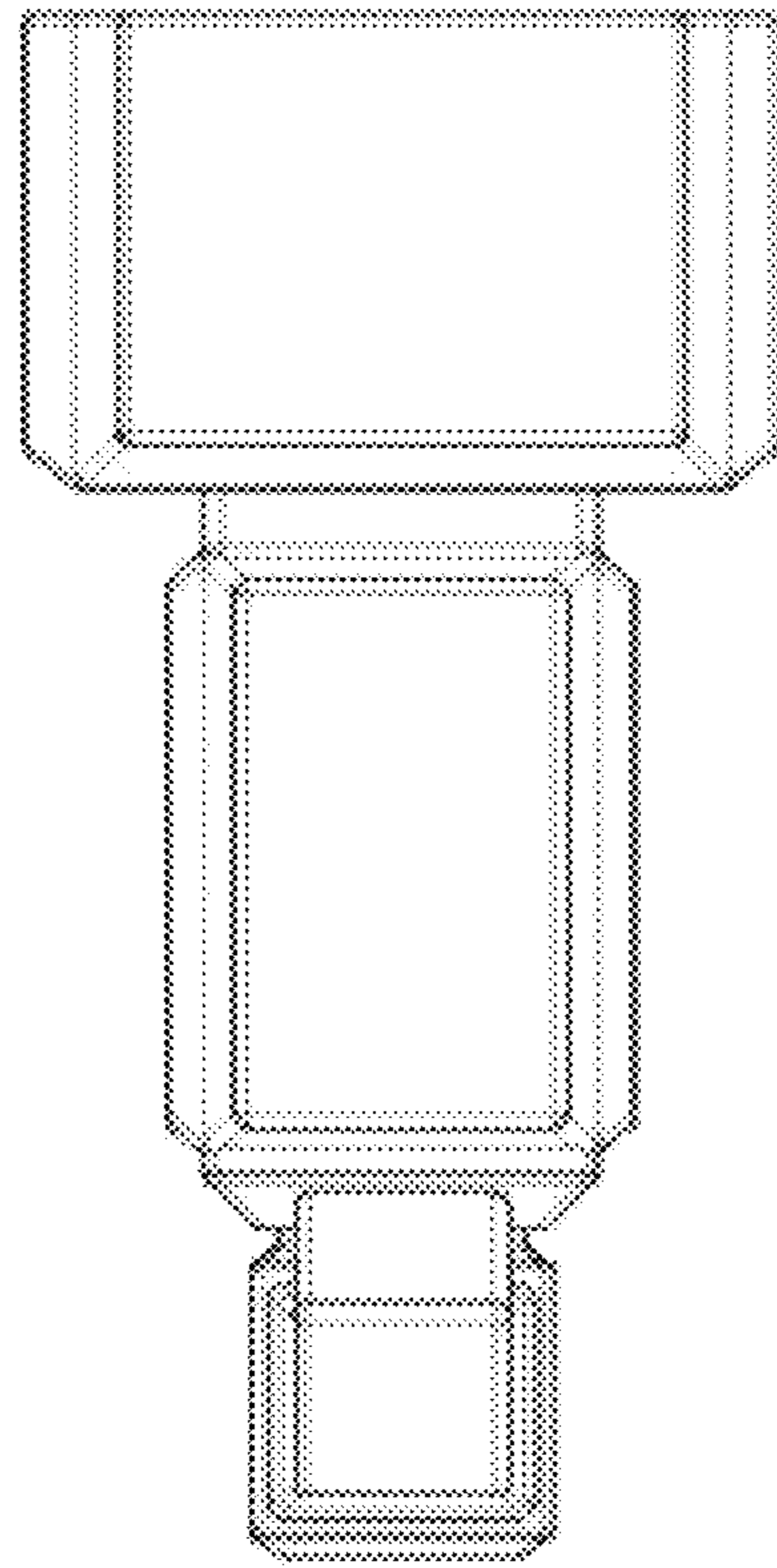


FIG. 5

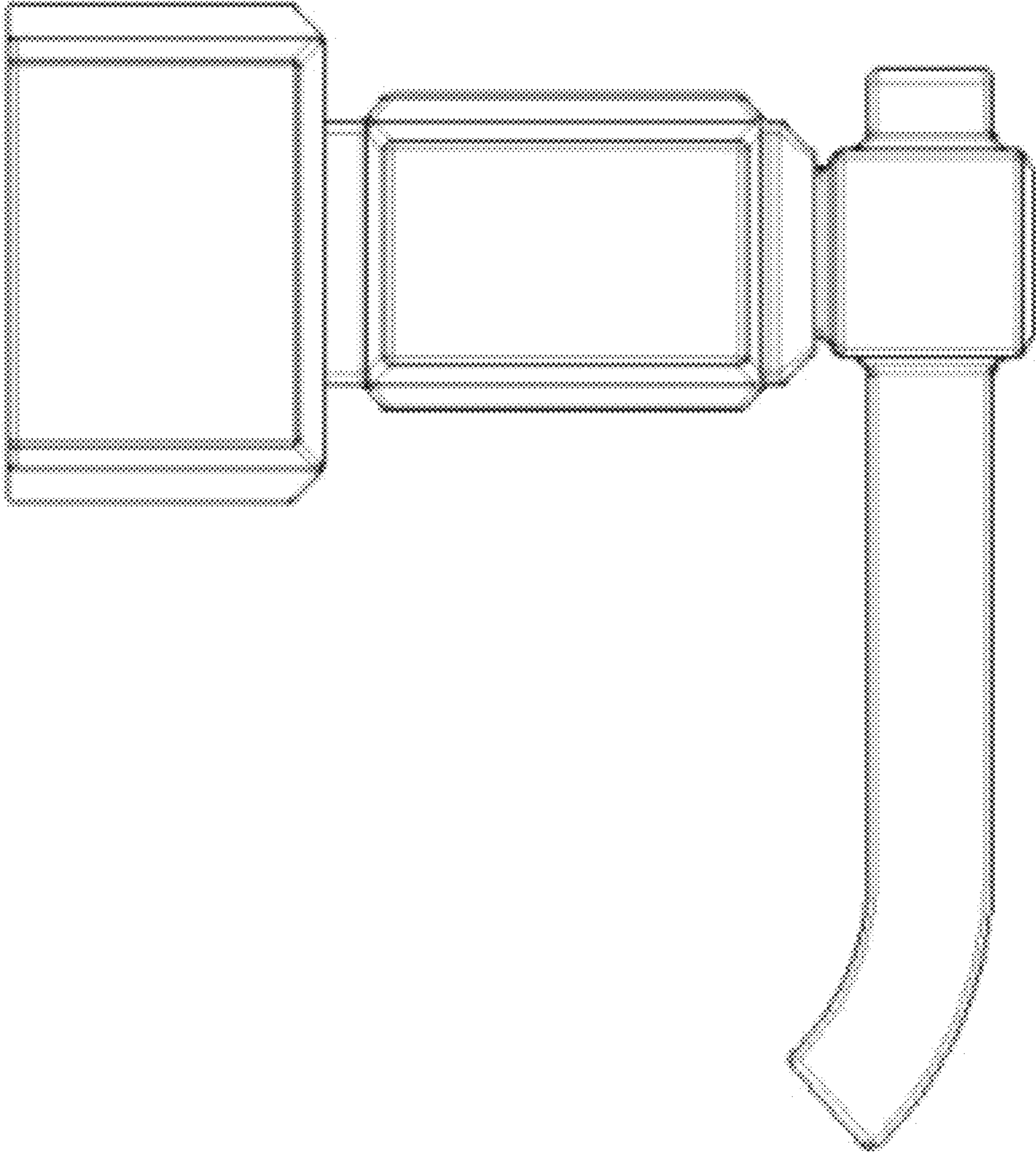


FIG. 6