



US00D663799S

(12) **United States Design Patent**
Edelman et al.

(10) **Patent No.:** **US D663,799 S**
(45) **Date of Patent:** **** Jul. 17, 2012**

(54) **TRIGGER GUARD FOR A PISTOL**

(75) Inventors: **Leslie P. Edelman**, Englewood, NJ (US); **Yury Karfiol**, Brooklyn, NY (US); **John Goliber**, Leonia, NJ (US); **Ryan D. Busse**, Kalispell, MT (US); **Ralph Karanian**, Wethersfield, CT (US); **Aaron Cummins**, Kalispell, MT (US)

(73) Assignee: **Kimber IP, LLC**, Yonkers, NY (US)

(**) Term: **14 Years**

(21) Appl. No.: **29/392,151**

(22) Filed: **May 18, 2011**

Related U.S. Application Data

(63) Continuation-in-part of application No. 12/980,521, filed on Dec. 29, 2010.

(51) **LOC (9) Cl.** **22-01**

(52) **U.S. Cl.** **D22/104**

(58) **Field of Classification Search** D22/100, D22/104, 108, 199; D21/145, 146, 147, D21/567, 572, 573-575; 42/40, 41, 42.01, 42/42.02, 42.03, 43, 44, 45, 57, 69.01, 71.02, 42/72, 100; 124/31, 37; 362/110, 113
See application file for complete search history.

(56) **References Cited**

U.S. PATENT DOCUMENTS

2,590,858	A *	4/1952	Harvey	42/69.01
5,012,604	A *	5/1991	Rogers	42/69.03
5,926,989	A *	7/1999	Oliver, Sr.	42/70.11
D596,693	S *	7/2009	Nakayama	D22/108

OTHER PUBLICATIONS

Kimber Mfg., Inc., "http://www.kimberamerica.com/uploads/catalog-download/Kimber%202009%20Product%20Catalog.pdf", 2009.

* cited by examiner

Primary Examiner — Michael A Pratt

(74) *Attorney, Agent, or Firm* — Caesar, Rivise, Bernstein, Cohen & Pokotilow, Ltd.

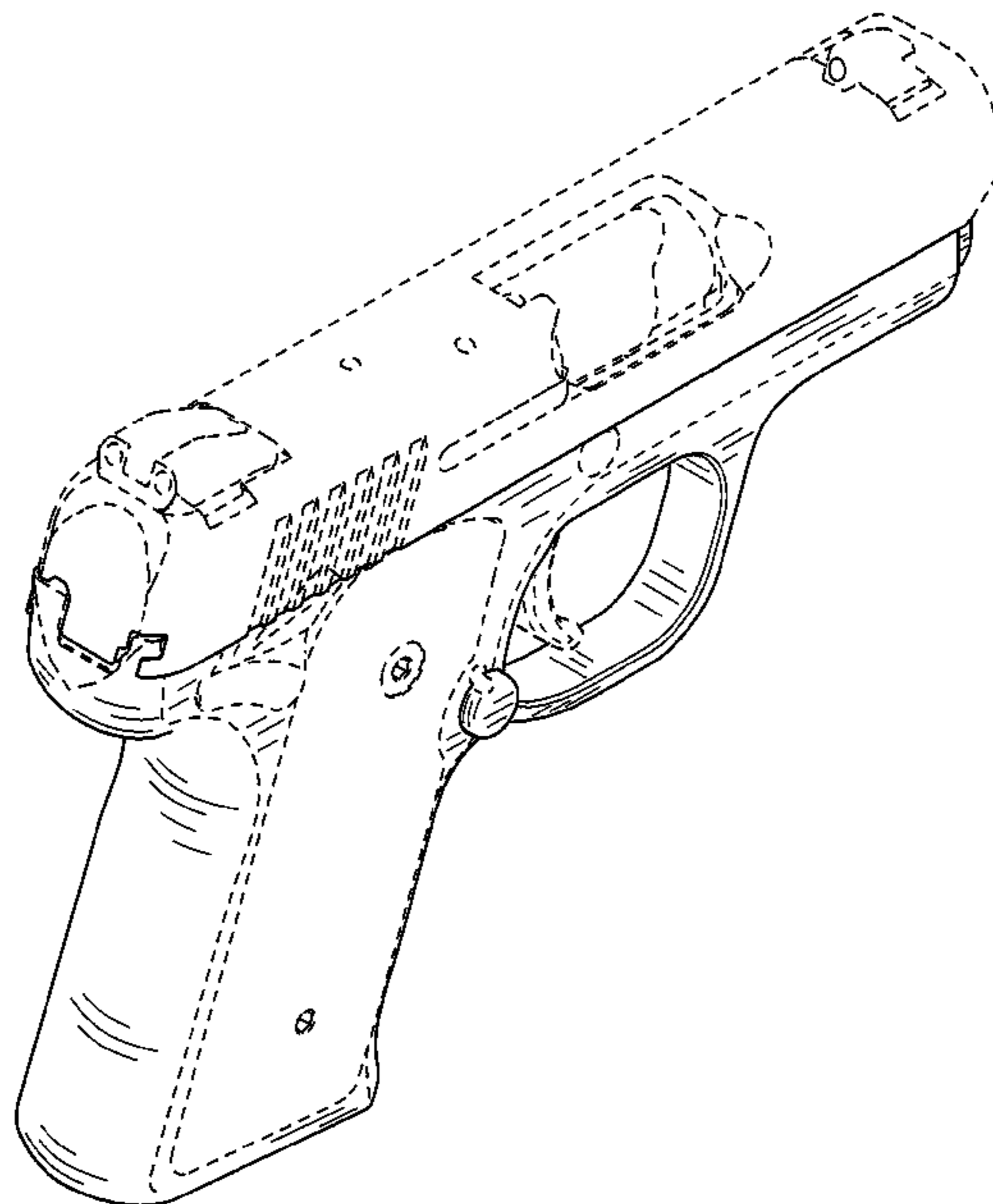
(57) **CLAIM**

The ornamental design for a trigger guard for a pistol, as shown and described.

DESCRIPTION

FIG. 1 is a rear isometric view of a trigger guard for a pistol in accordance with a preferred embodiment of my design; FIG. 2 is a front isometric view of the trigger guard for a pistol of FIG. 1; FIG. 3 is a front elevation view of the trigger guard for a pistol of FIG. 1; FIG. 4 is a rear elevation view of the trigger guard for a pistol of FIG. 1; FIG. 5 is a left side view of the trigger guard for a pistol of FIG. 1; FIG. 6 is a right side view of the trigger guard for a pistol of FIG. 1; FIG. 7 is a top view of the trigger guard for a pistol of FIG. 1; and, FIG. 8 is a bottom view of the trigger guard for a pistol of FIG. 1.
The dashed lines shown in the figures represent environmental subject matter and form no part of the claimed design.

1 Claim, 6 Drawing Sheets



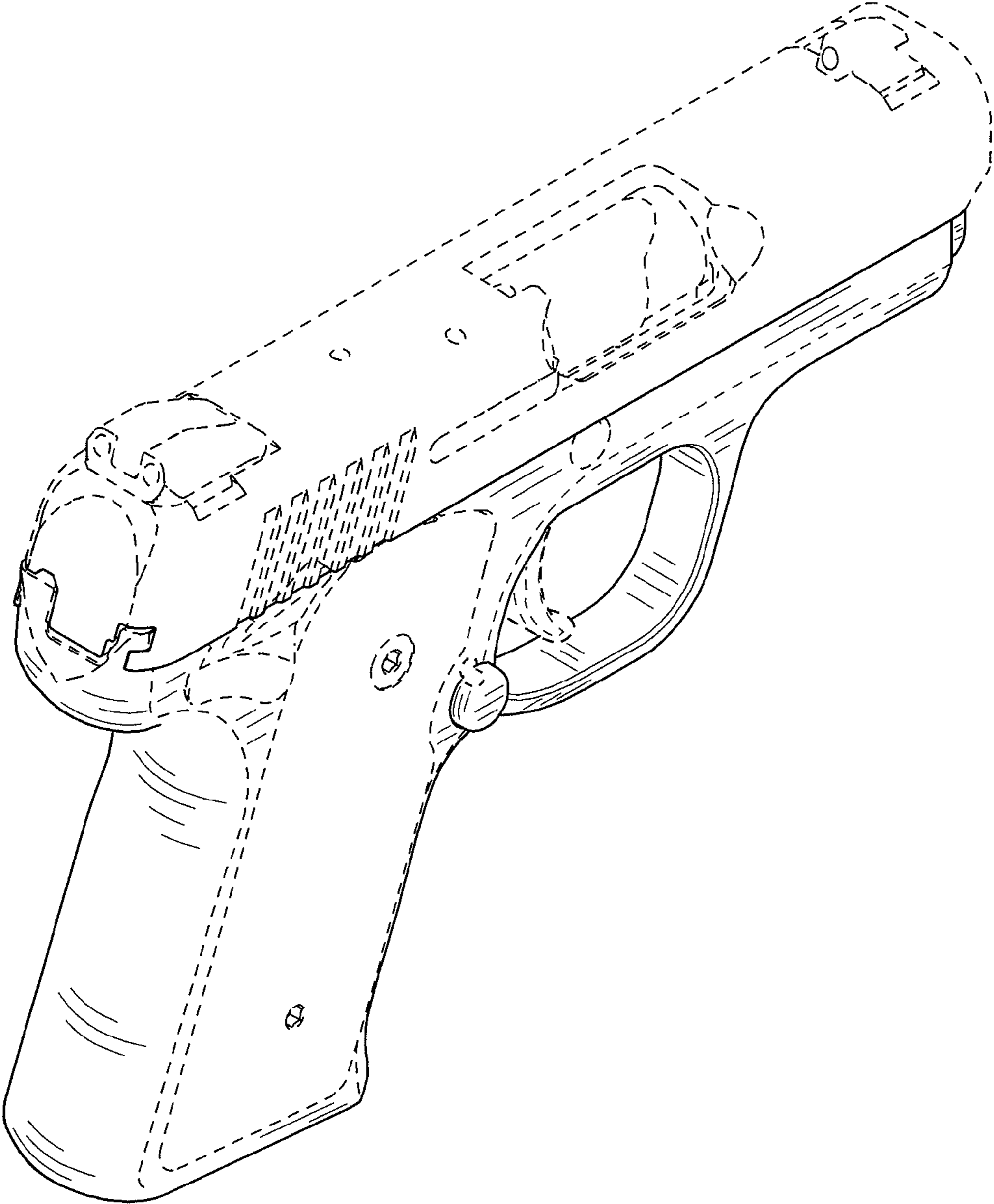


FIG. 1

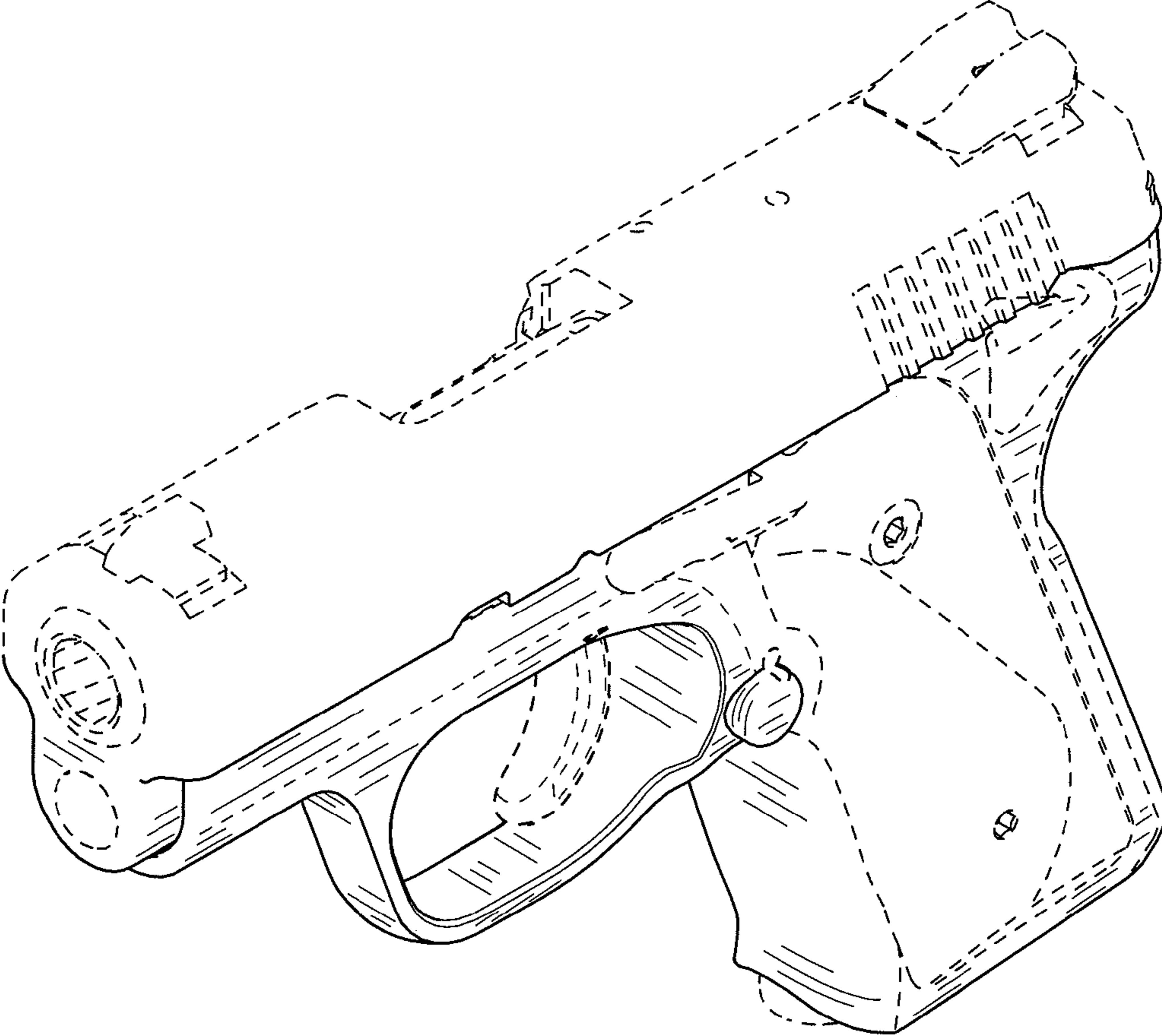


FIG. 2

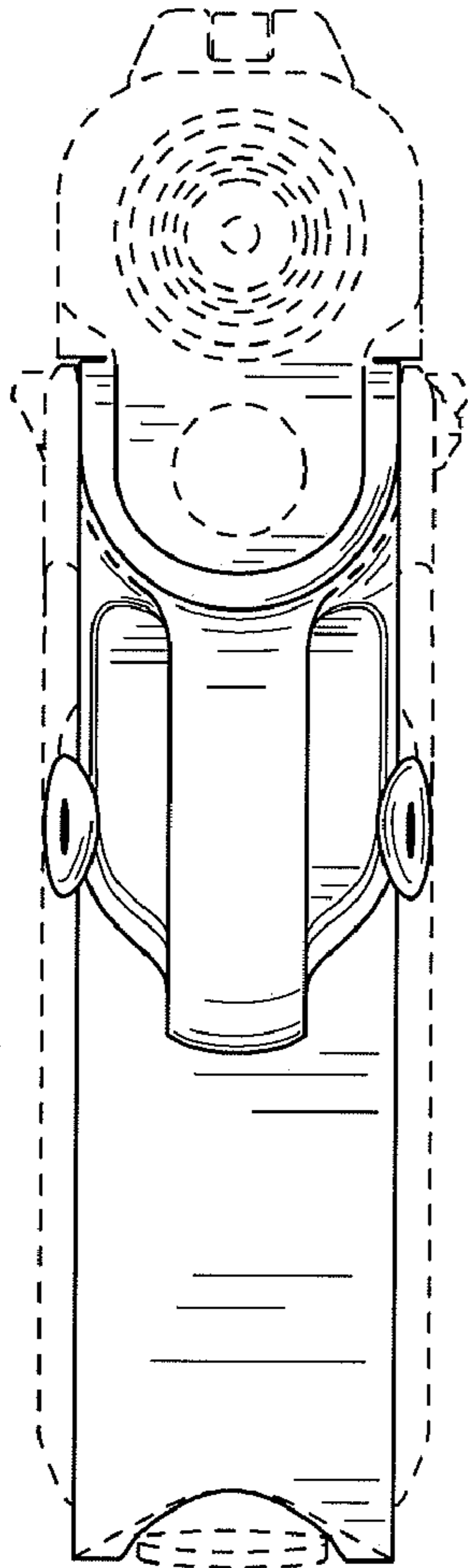


FIG. 3

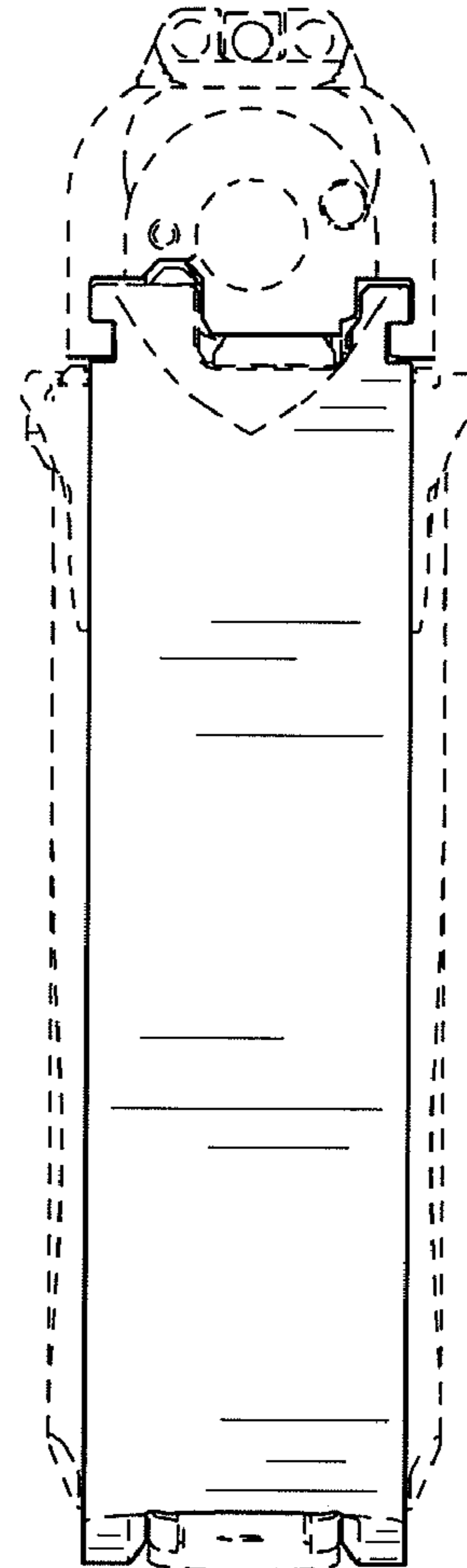


FIG. 4

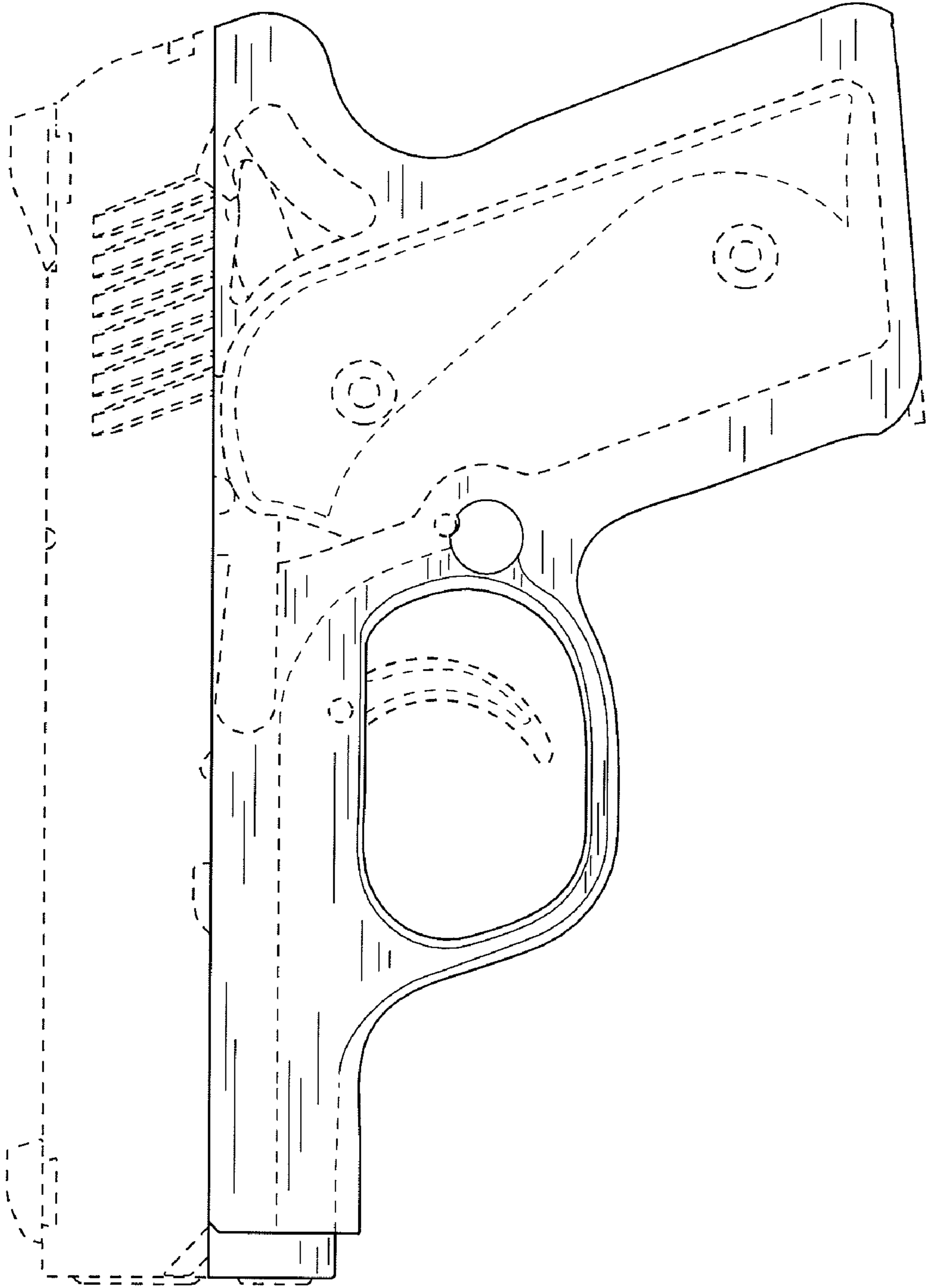


FIG. 5

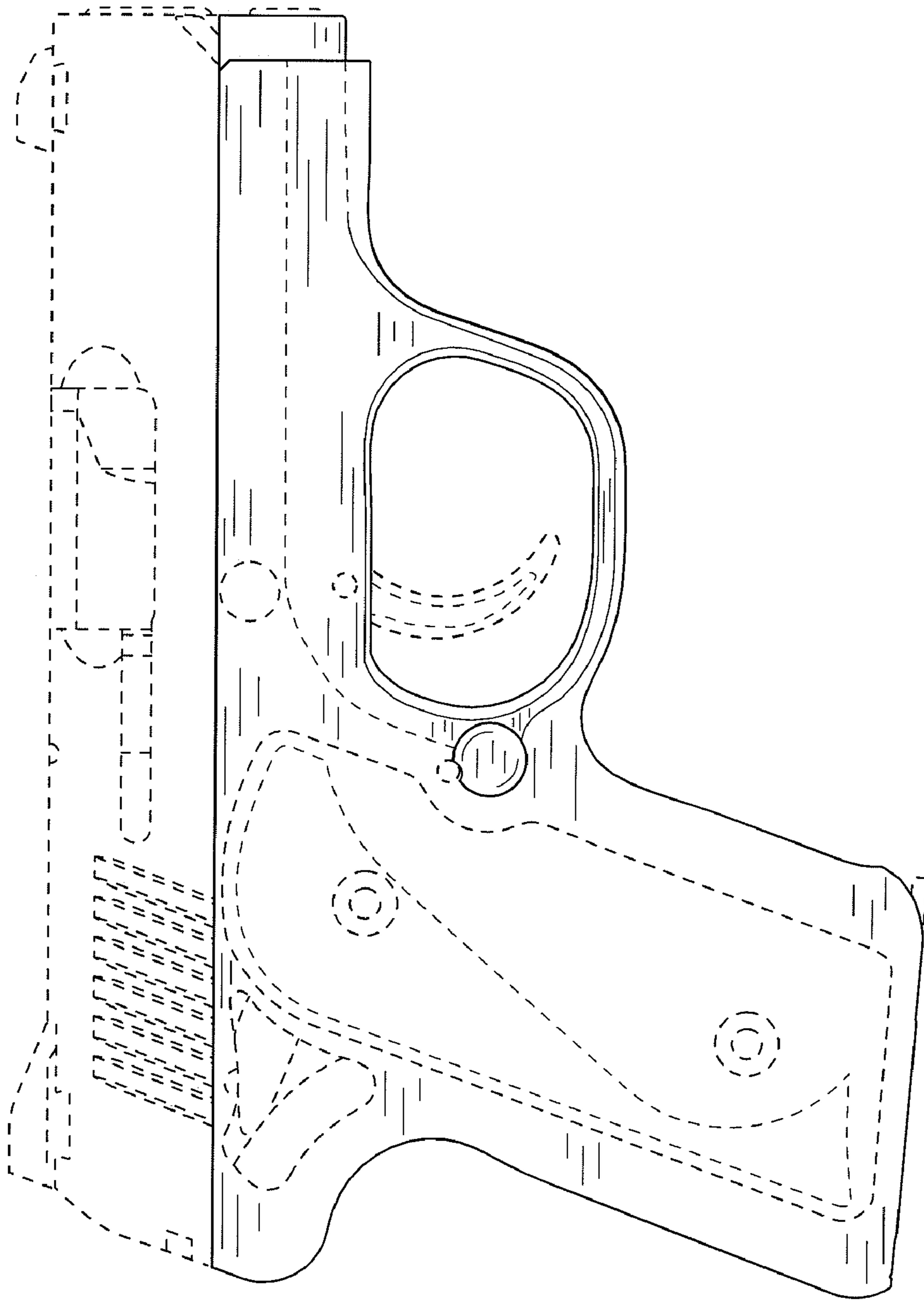


FIG. 6

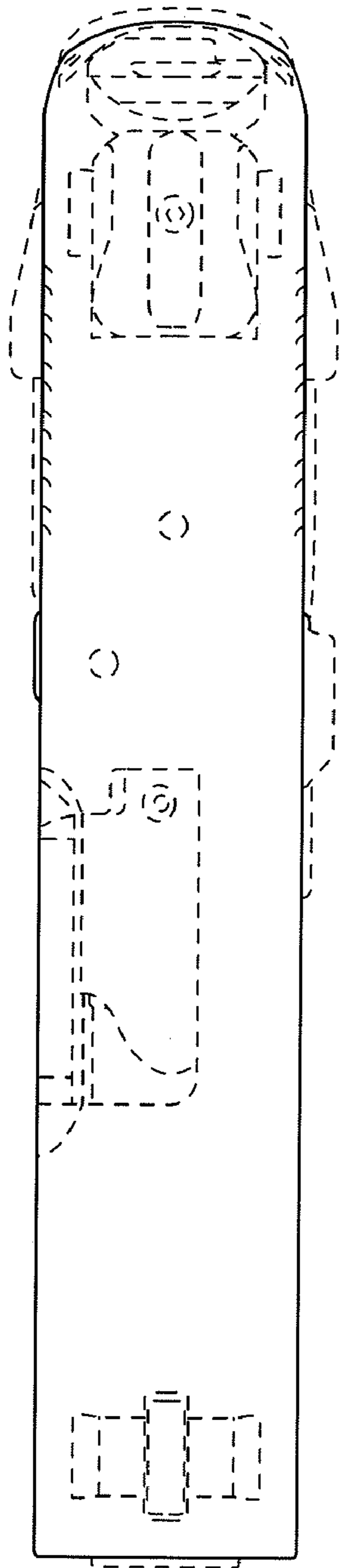


FIG. 7

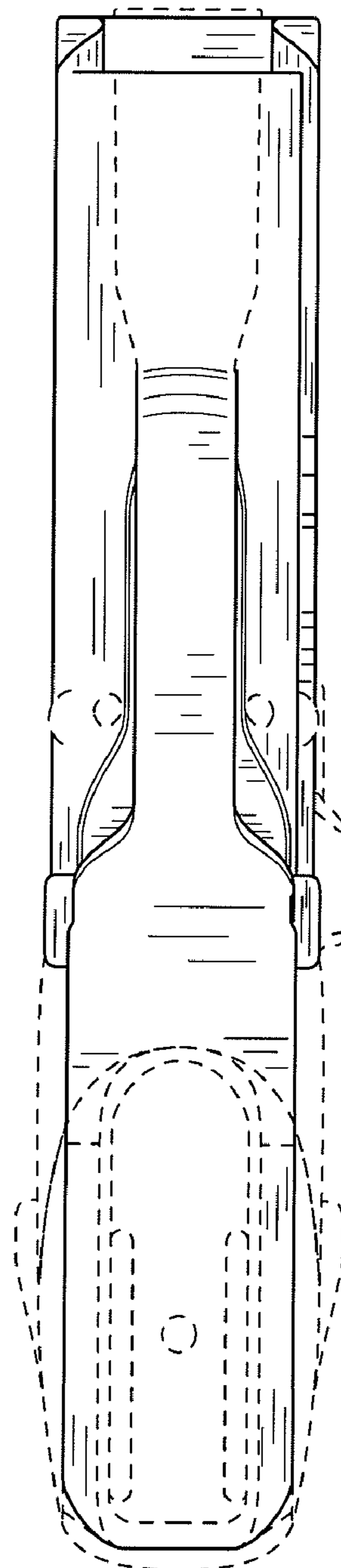


FIG. 8