



US00D663798S

(12) **United States Design Patent**  
**Duncan**

(10) **Patent No.:** **US D663,798 S**  
(45) **Date of Patent:** **\*\* Jul. 17, 2012**

- (54) **ASSIST DEVICE**
- (75) **Inventor:** **Michael Wayne Duncan**, Lake City, MN (US)
- (73) **Assignee:** **Even Par Enterprises, Inc.**, Red Wing, MN (US)
- (\*\*) **Term:** **14 Years**
- (21) **Appl. No.:** **29/339,503**
- (22) **Filed:** **Jul. 1, 2009**
- (51) **LOC (9) Cl.** ..... **21-02**
- (52) **U.S. Cl.** ..... **D21/789; D24/190**
- (58) **Field of Classification Search** ..... D24/189, D24/190; D21/791; 623/57; D29/120.1, D29/121.1, 113; 601/5, 33; 128/877, 878, 128/881, 882, 892; 248/118; 602/5, 12, 602/20, 21, 62, 63; D3/215, 218, 219, 220, D3/221, 222

See application file for complete search history.

(56) **References Cited**

**U.S. PATENT DOCUMENTS**

7,626	A *	9/1850	Welch	602/5
1,200,403	A	10/1916	Weyer	
1,320,934	A	11/1919	Schopp	
2,697,436	A *	12/1954	Coston	128/877
2,763,264	A *	9/1956	McInnery	128/877
3,242,923	A *	3/1966	Jacoby, Sr.	128/877
3,556,092	A *	1/1971	Eisenberg	128/877
3,640,273	A *	2/1972	Ray	602/5
D234,434	S *	3/1975	Trevino	D21/791
3,896,799	A *	7/1975	Seeley	602/5
3,942,194	A	3/1976	Winter	
4,000,769	A *	1/1977	Katz	206/316.2
4,203,495	A	5/1980	Crownover	
4,245,841	A	1/1981	Owens, Jr.	
4,265,232	A *	5/1981	Stonich	5/647
4,315,504	A *	2/1982	Drennan et al.	128/892
4,445,686	A	5/1984	Daugherty	

D292,128	S *	9/1987	Thibodo, Jr.	D24/190
D293,933	S *	1/1988	Hubbard et al.	D24/190
D294,176	S *	2/1988	Tyo	D24/190
4,766,890	A *	8/1988	Hollrah	602/14
4,928,678	A *	5/1990	Grim	602/8
4,941,479	A *	7/1990	Russell et al.	128/877
4,974,762	A	12/1990	Boretsky et al.	
4,996,979	A *	3/1991	Grim et al.	602/21
D318,125	S *	7/1991	Miller	D24/190
5,121,743	A *	6/1992	Bishop	602/22
5,173,967	A *	12/1992	Carter	2/242
D333,520	S *	2/1993	Mann	D24/190
5,203,766	A *	4/1993	Carter et al.	602/21

(Continued)

*Primary Examiner* — T. Chase Nelson

(74) *Attorney, Agent, or Firm* — Westman, Champlin & Kelly, P.A.

(57) **CLAIM**

The ornamental design for an assist device, as shown and described.

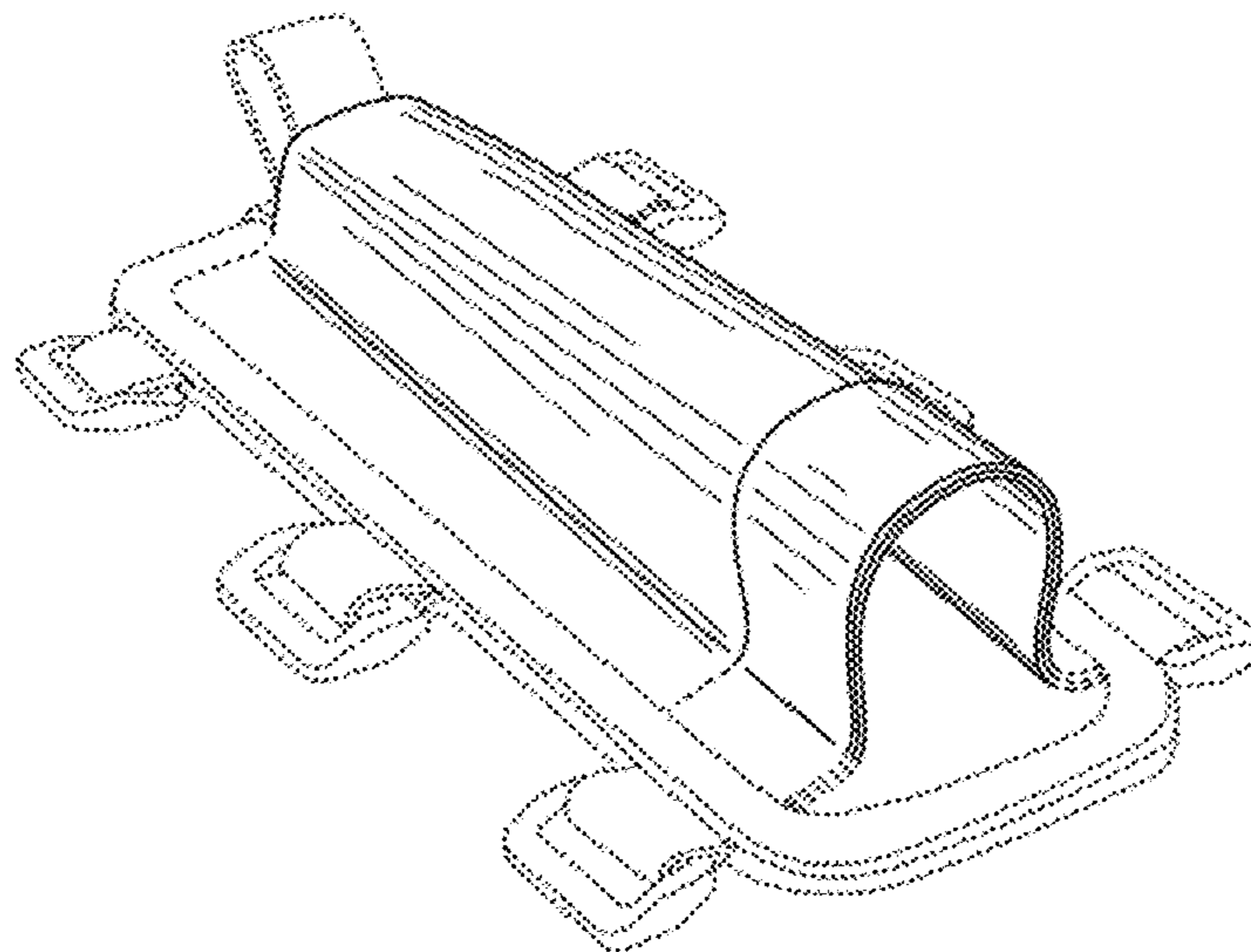
**DESCRIPTION**

FIG. 1 is a top perspective view of the assist device; FIG. 2 is a top plan view of the assist device; FIG. 3 is a left side view of the assist device; FIG. 4 is a right side view of the assist device; FIG. 5 is a front view of the assist device; and, FIG. 6 is a rear view of the assist device.

All other views are not claimed. Features illustrated with dashed lines are not considered features of the invention being claimed, but rather illustrate an exemplary environment for the claimed features illustrated with solid lines.

Exemplary materials for the assist device include but are not limited to plastics, leather, synthetic leather, natural (e.g. cotton) or synthetic fabric, woven or unwoven, or combinations thereof.

**1 Claim, 3 Drawing Sheets**

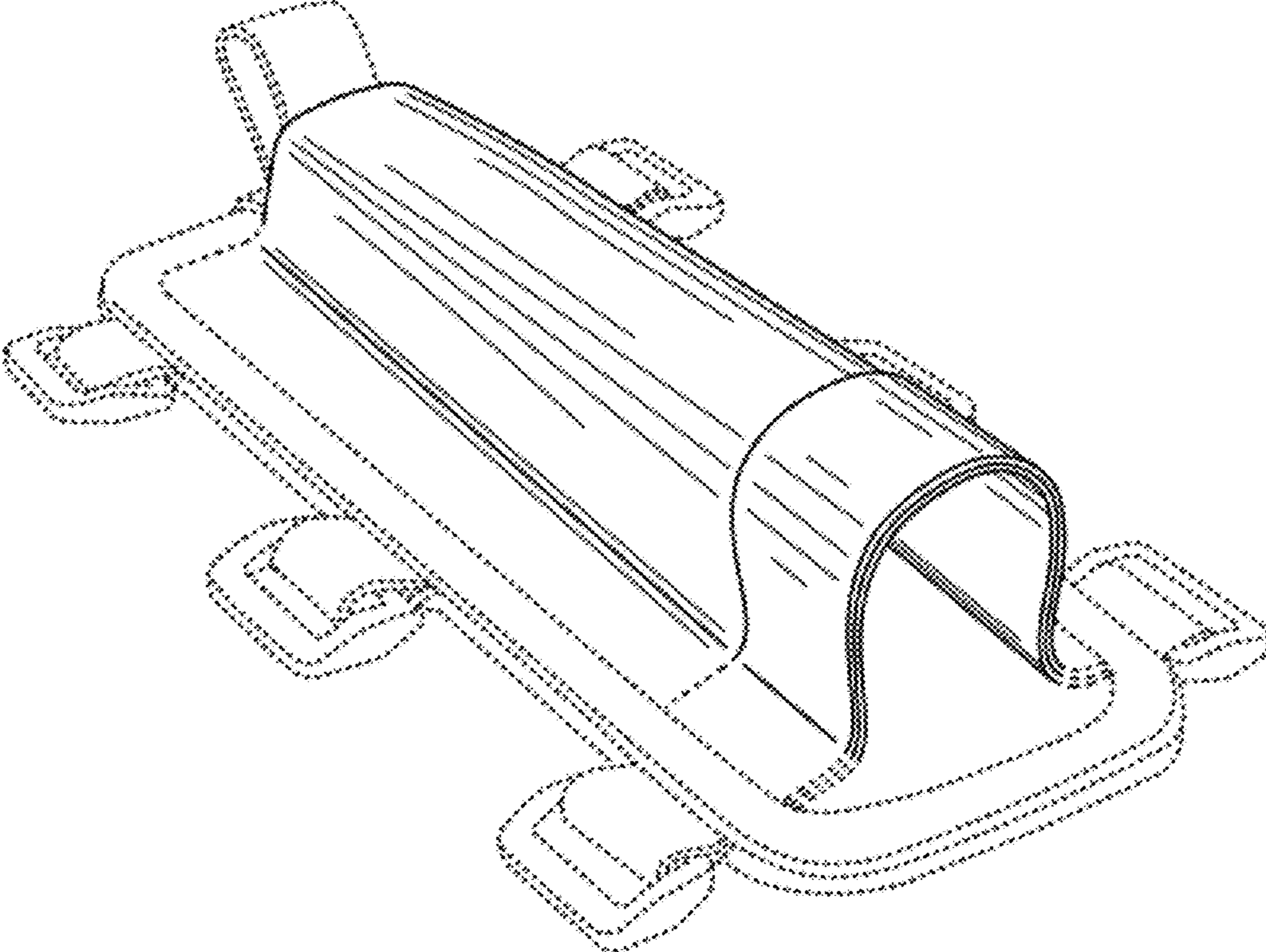


# US D663,798 S

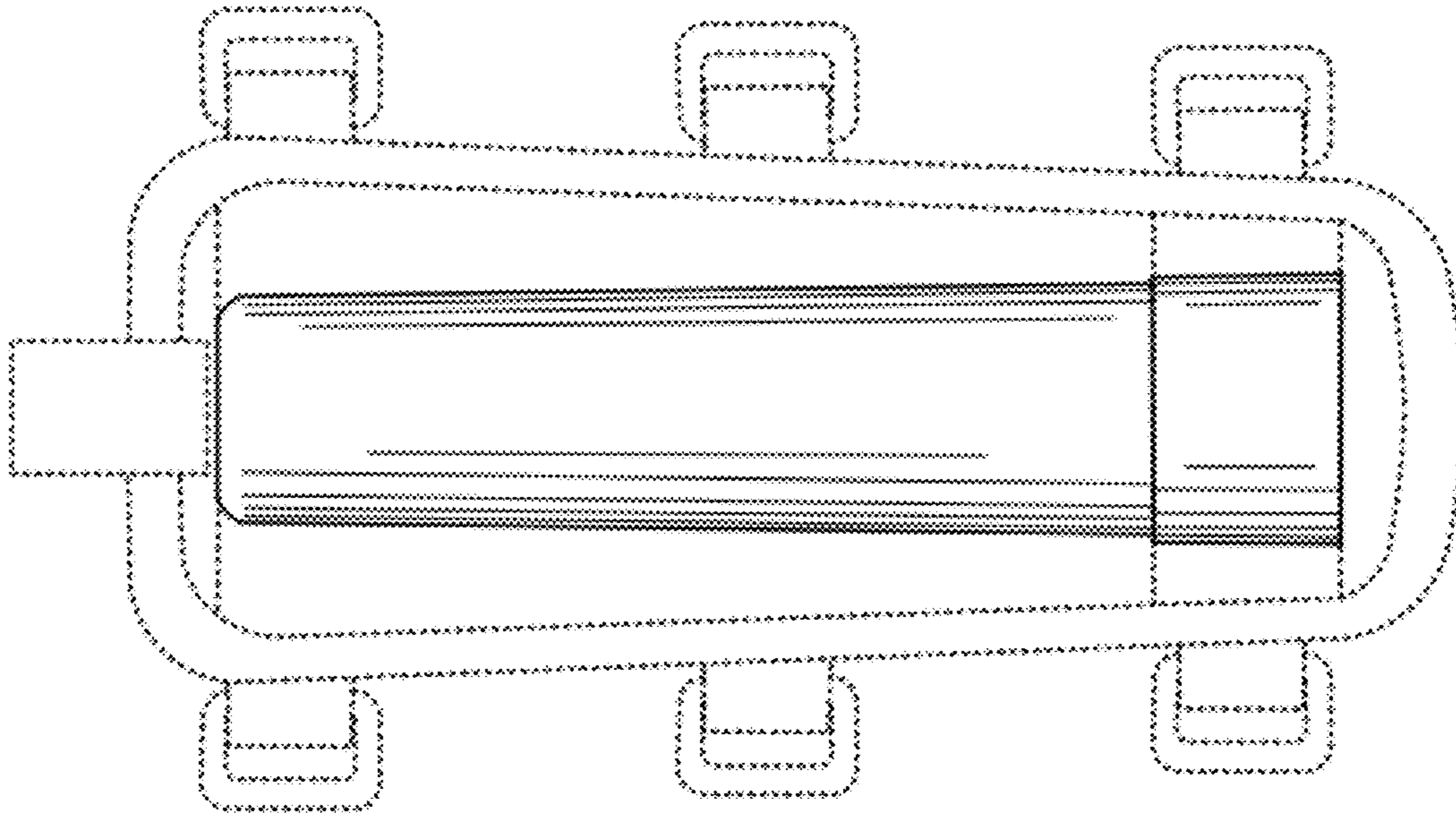
## U.S. PATENT DOCUMENTS

5,263,497	A *	11/1993	Grabenkort et al. ....	128/877	D498,920	S *	11/2004	Ambrose .....	D3/219
D345,421	S *	3/1994	Schumann et al. ....	D24/192	6,813,779	B1 *	11/2004	Williams .....	2/16
5,413,120	A *	5/1995	Grant .....	128/877	D500,352	S *	12/2004	Sullivan .....	D21/791
5,435,013	A	7/1995	Davis .....	2/161.1	6,923,780	B2 *	8/2005	Price et al. ....	602/27
5,445,385	A	8/1995	Brooks .....		6,971,562	B2	12/2005	Willows et al.	
D362,542	S *	9/1995	Richards et al. ....	D3/218	D515,745	S *	2/2006	Leyva .....	D29/120.1
5,478,083	A	12/1995	Foster, II .....		7,097,571	B2	8/2006	Kraus .....	473/212
D366,758	S *	2/1996	Weiler .....	D3/219	7,128,656	B1	10/2006	Orchel .....	473/205
D367,535	S *	2/1996	Stenberg .....	D24/190	7,237,703	B1	7/2007	Nathan et al.	
5,557,805	A	9/1996	Emerson .....	2/158	D549,348	S *	8/2007	Przybycien .....	D24/190
D374,767	S *	10/1996	Leach .....	D3/218	D558,883	S *	1/2008	Ortiz .....	D24/190
5,601,356	A	2/1997	McWilliams .....		D560,041	S *	1/2008	Cook et al. ....	D29/120.1
D382,344	S *	8/1997	Swedberg et al. ....	D24/190	D562,549	S *	2/2008	Bodnar .....	D3/222
5,655,221	A *	8/1997	Worischek .....	2/16	D565,189	S *	3/2008	Gramza et al. ....	D24/190
5,702,355	A *	12/1997	Repice et al. ....	602/21	D569,983	S *	5/2008	Ellis et al. ....	D24/190
5,722,092	A *	3/1998	Borzecki et al. ....	2/16	D581,539	S *	11/2008	Rotter et al. ....	D24/190
D397,222	S *	8/1998	Humensky .....	D24/190	7,458,947	B2 *	12/2008	Farrell et al. ....	602/21
5,827,207	A *	10/1998	MacMorran .....	602/5	7,465,283	B2 *	12/2008	Grim et al. ....	602/8
5,845,643	A *	12/1998	Vergano et al. ....	128/877	D588,704	S *	3/2009	Duplessie .....	D24/190
5,890,809	A	4/1999	Nelson .....		D603,969	S *	11/2009	Bauerfeind et al. ....	D24/190
D411,301	S *	6/1999	Hampson et al. ....	D24/189	D608,895	S *	1/2010	Farrell et al. ....	D24/190
D413,430	S *	9/1999	Granata .....	D3/10	D617,464	S *	6/2010	Weaver et al. ....	D24/190
5,950,626	A *	9/1999	Wagener et al. ....	128/846	D621,943	S *	8/2010	Marino .....	D24/190
5,974,586	A *	11/1999	Reinoso .....	2/16	D625,376	S *	10/2010	Marabellas .....	D21/791
D420,216	S *	2/2000	Birkbeck, III .....	D3/215	D627,073	S *	11/2010	Nace .....	D24/190
6,035,442	A	3/2000	Marando .....	2/161.1	D634,851	S *	3/2011	Chiang .....	D24/190
6,062,700	A	5/2000	Price .....		D635,269	S *	3/2011	Franke et al. ....	D24/192
D427,383	S *	6/2000	Inman .....	D29/113	D639,048	S *	6/2011	Bussard .....	D3/221
6,110,135	A *	8/2000	Madow et al. ....	602/20	D642,280	S *	7/2011	Goumas .....	D24/190
D439,039	S *	3/2001	Austin .....	D3/228	2001/0022161	A1	9/2001	Macedo et al.	
D441,082	S *	4/2001	Ruscitti .....	D24/190	2002/0077573	A1 *	6/2002	Bernard et al. ....	602/5
6,245,114	B1	6/2001	Marron .....		2004/0214652	A1	10/2004	Robbins .....	
D444,563	S *	7/2001	Rodgers .....	D24/190	2005/0077742	A1	4/2005	Wilson .....	294/25
6,269,990	B1	8/2001	Gray .....		2005/0101897	A1 *	5/2005	Froom .....	602/21
6,350,206	B1	2/2002	Lambert, II .....		2006/0069335	A1 *	3/2006	Fritsch et al. ....	602/5
D455,901	S *	4/2002	Snider .....	D3/228	2006/0094999	A1 *	5/2006	Cropper .....	602/60
6,405,731	B1 *	6/2002	Chiang .....	128/878	2006/0173390	A1 *	8/2006	Van Wyk et al. ....	602/6
6,508,205	B1 *	1/2003	Zink .....	119/850	2007/0021228	A1	1/2007	Flood .....	
6,569,110	B2 *	5/2003	Bernard et al. ....	602/5	2007/0276303	A1 *	11/2007	Jenner .....	602/21
D477,088	S *	7/2003	Brown et al. ....	D24/190	2008/0127459	A1	6/2008	Burke et al. ....	16/426
D477,409	S *	7/2003	Mills et al. ....	D24/190	2010/0083415	A1 *	4/2010	Beckford .....	2/16
D495,420	S *	8/2004	Katz et al. ....	D24/192	2010/0145474	A1 *	6/2010	Duncan .....	623/57

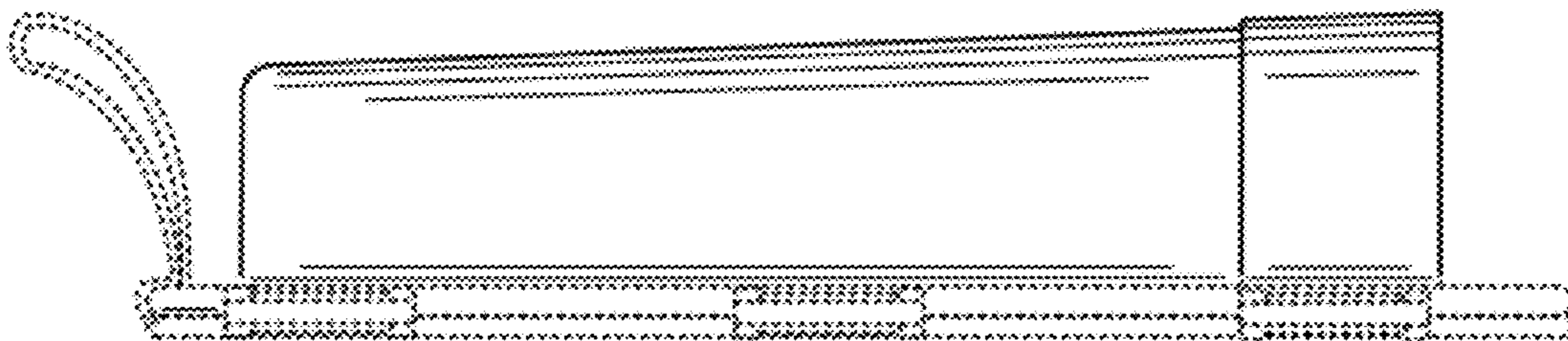
\* cited by examiner



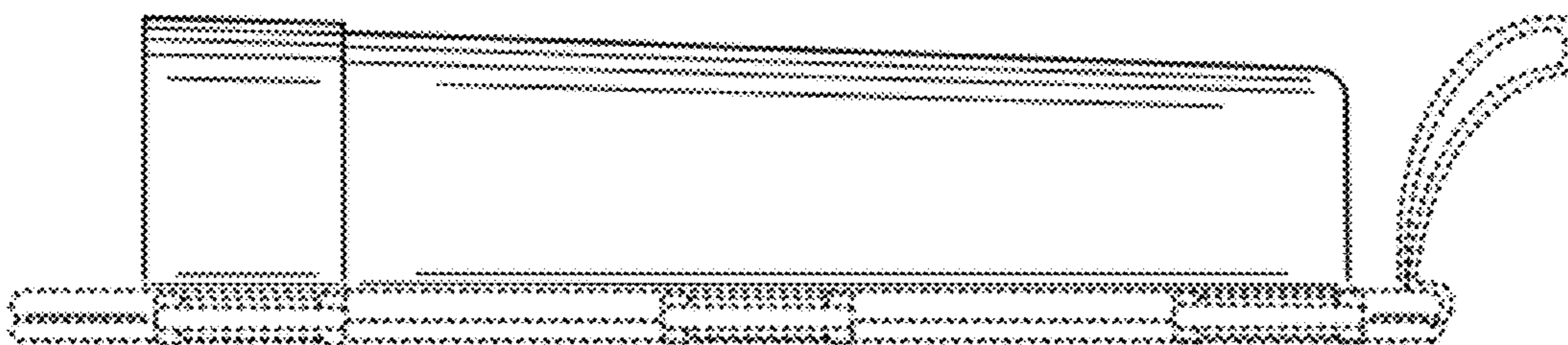
*FIG. 1*



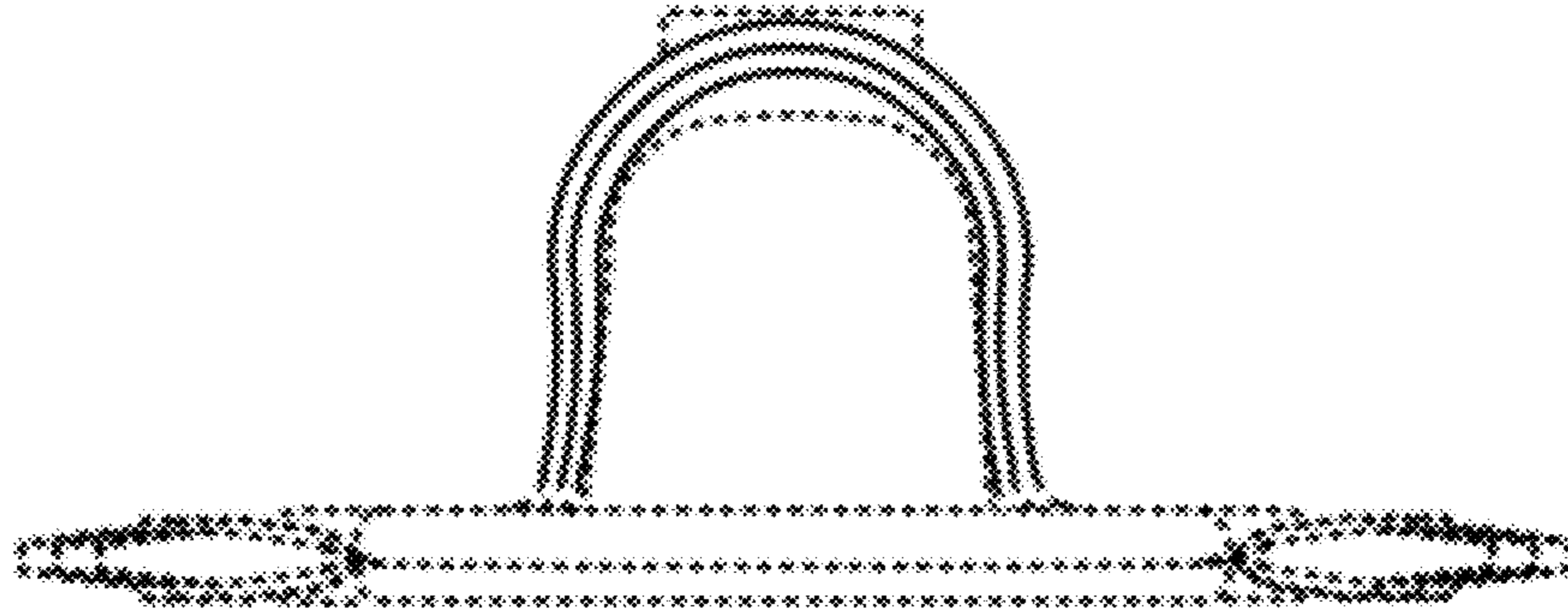
*FIG. 2*



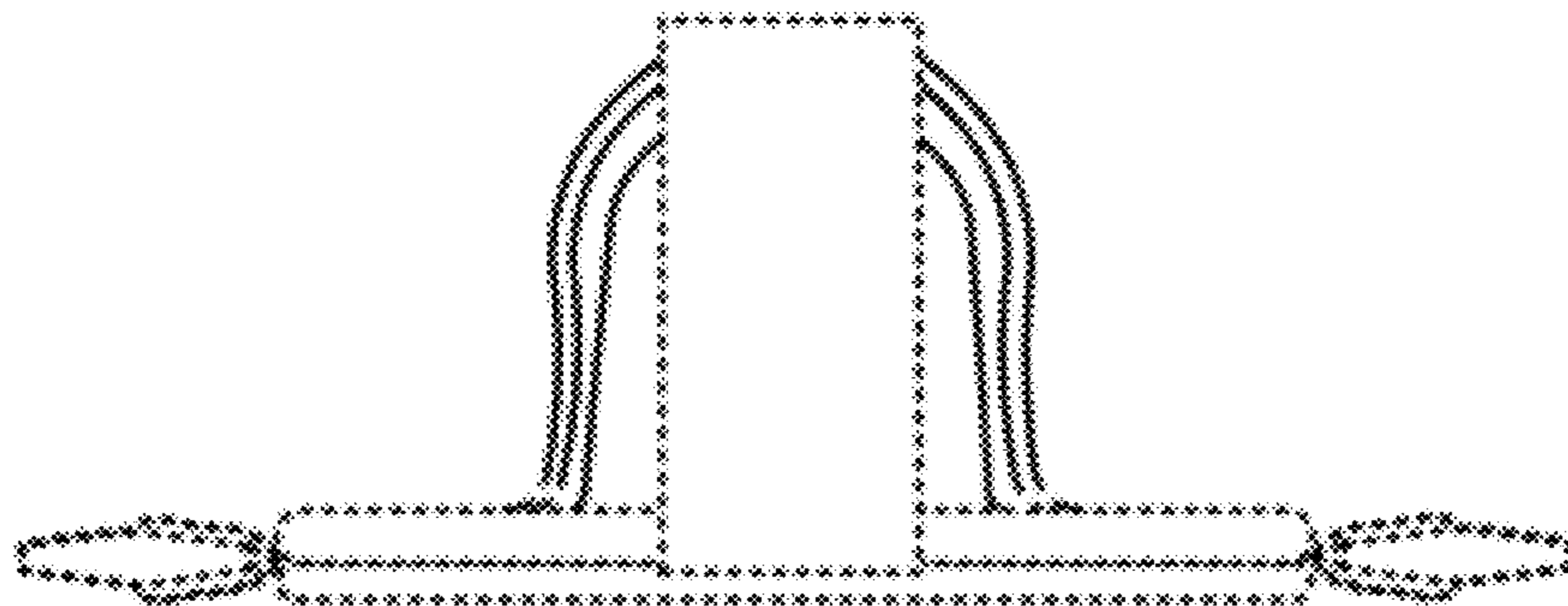
*FIG. 3*



*FIG. 4*



*FIG. 5*



*FIG. 6*