



US00D663797S

(12) **United States Design Patent**
Hopkins

(10) **Patent No.:** **US D663,797 S**

(45) **Date of Patent:** **** Jul. 17, 2012**

(54) **PUTTER**

(76) Inventor: **David Hopkins**, Colton, CA (US)

(**) Term: **14 Years**

(21) Appl. No.: **29/396,856**

(22) Filed: **Jul. 7, 2011**

(51) **LOC (9) Cl.** **21-02**

(52) **U.S. Cl.** **D21/736**

(58) **Field of Classification Search** D21/736-746,
D21/789-791; 473/324-331, 340-341, 251-256
See application file for complete search history.

(56) **References Cited**

U.S. PATENT DOCUMENTS

D346,842 S *	5/1994	O'Neil	D21/790
D458,658 S *	6/2002	Jung	D21/744
D573,673 S *	7/2008	Noyes	D21/736
D582,497 S *	12/2008	Rollinson	D21/744
D591,807 S *	5/2009	Rollinson	D21/744
D594,917 S *	6/2009	Stellander	D21/743
D604,787 S *	11/2009	Hopkins	D21/791
D621,458 S *	8/2010	Serrano et al.	D21/736
D624,617 S *	9/2010	Rife	D21/742
D631,523 S *	1/2011	Pingalore	D21/789
D632,747 S *	2/2011	Jeffres	D21/742

* cited by examiner

Primary Examiner — Mitchell Siegel

(74) *Attorney, Agent, or Firm* — QuickPatents, Inc.; Kevin Prince

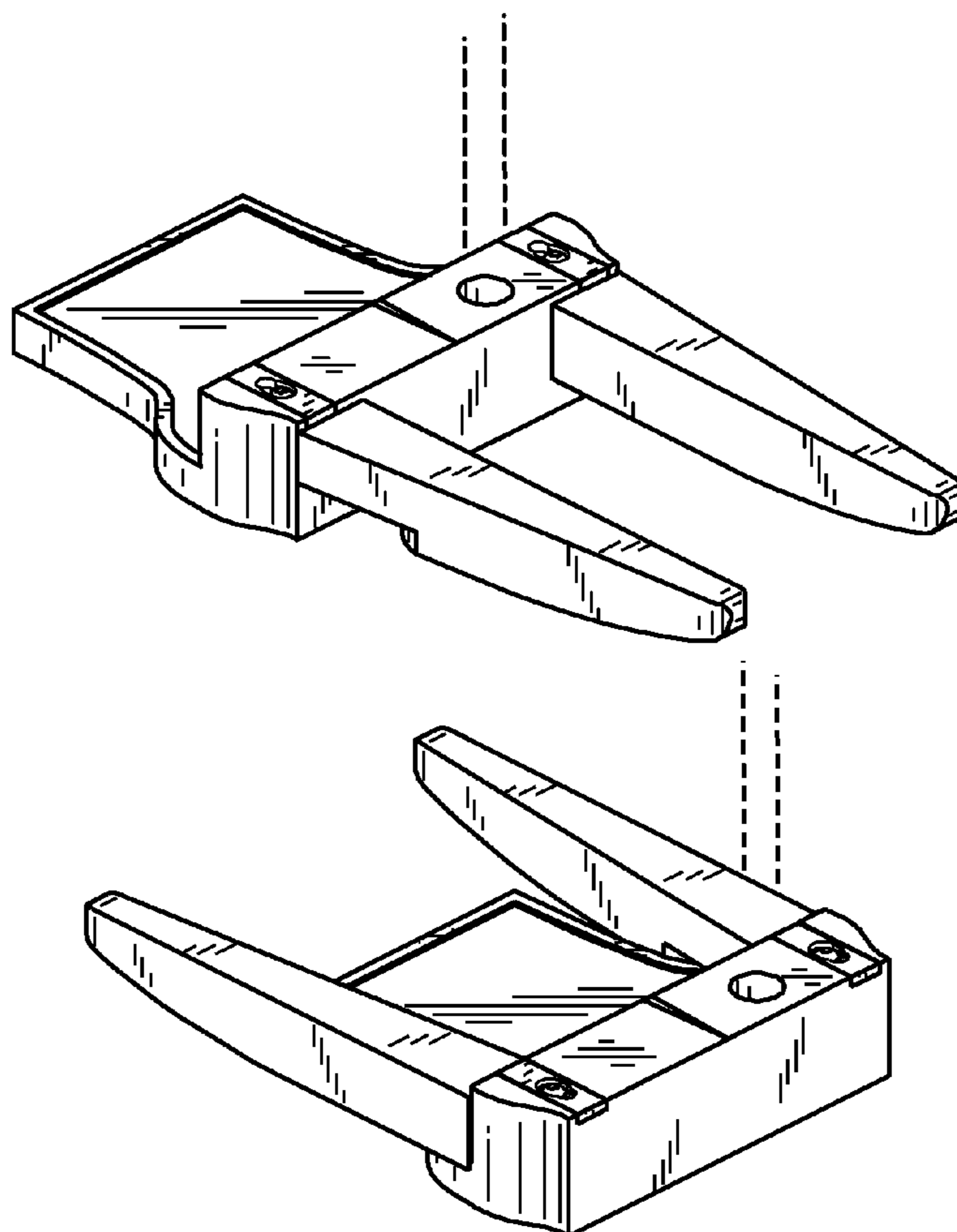
(57) **CLAIM**

I claim the ornamental design for a putter, as shown and described.

DESCRIPTION

FIG. 1 is a perspective view of a putter showing my new design;
 FIG. 2 is a front elevational view thereof;
 FIG. 3 is a rear elevational view thereof;
 FIG. 4 is a right-side elevational view thereof, the left-side elevational view being a mirror image thereof;
 FIG. 5 is a bottom plan view thereof;
 FIG. 6 is a top plan view thereof;
 FIG. 7 is a perspective view of a putter shown in an alternate configuration;
 FIG. 8 is a front elevational view thereof;
 FIG. 9 is a rear elevational view thereof;
 FIG. 10 is a right-side elevational view thereof, the left-side elevational view being a mirror image thereof;
 FIG. 11 is a bottom plan view thereof; and,
 FIG. 12 is a top plan view thereof.
 The broken lines showing a putter shaft in FIGS. 1 and 7 depict environmental matter and form no part of the claimed design.

1 Claim, 3 Drawing Sheets



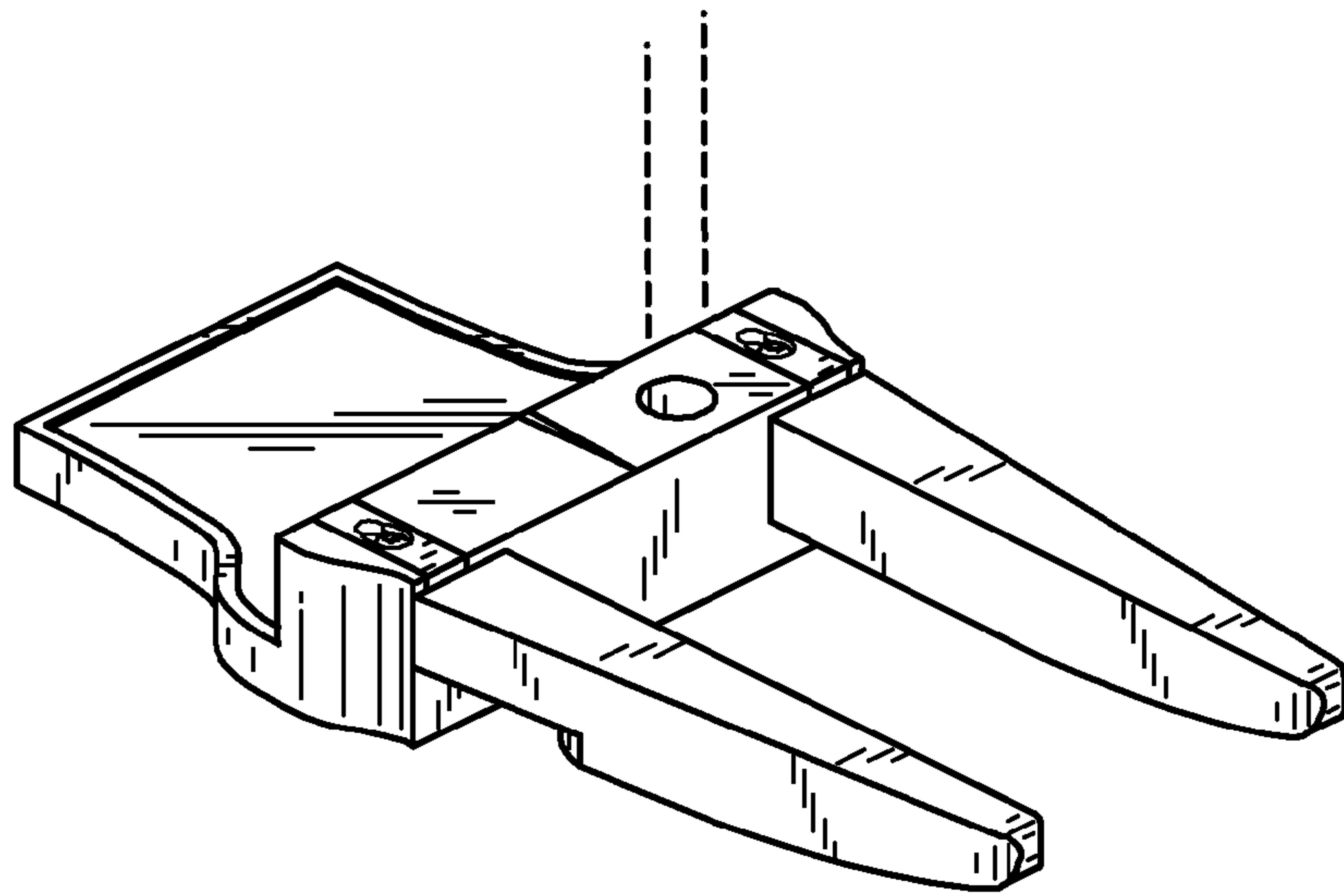


FIG. 1

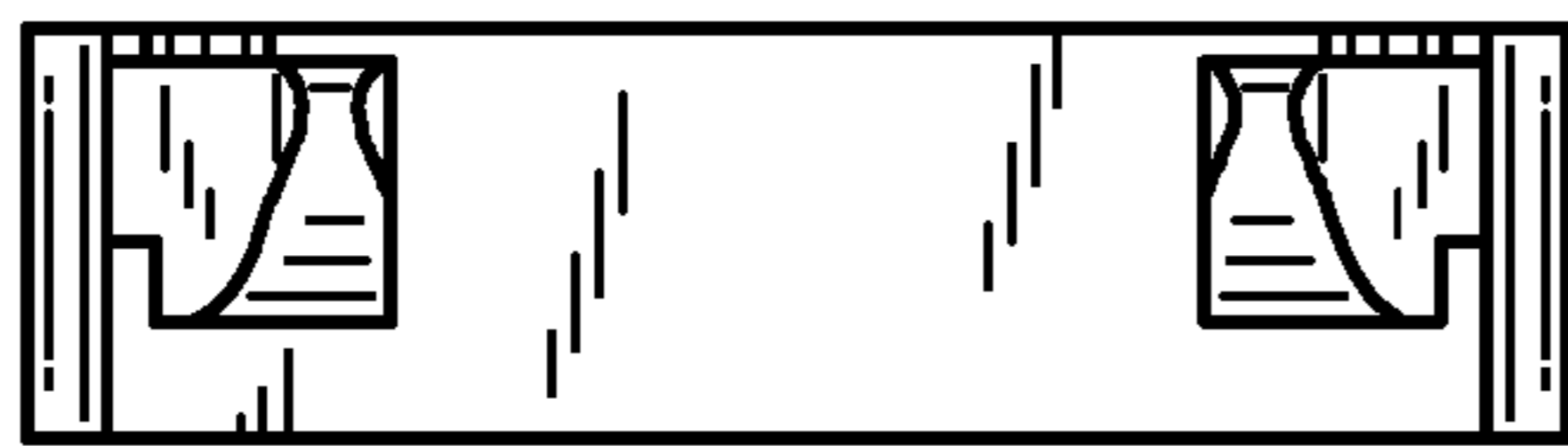


FIG. 2



FIG. 3

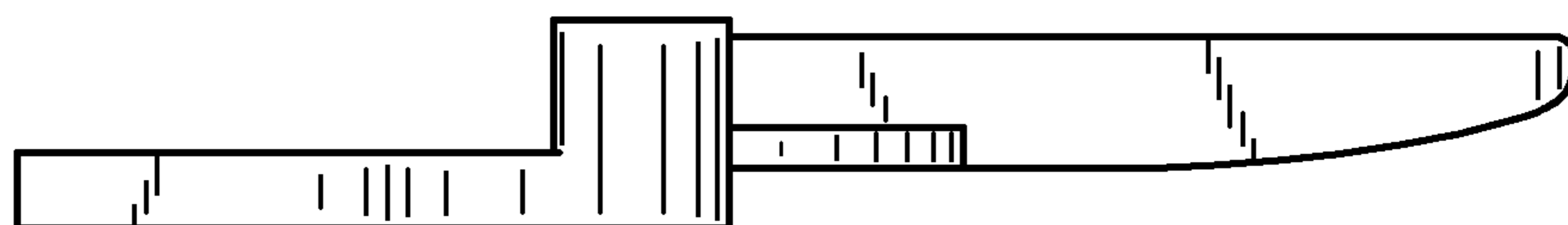


FIG. 4

FIG. 5

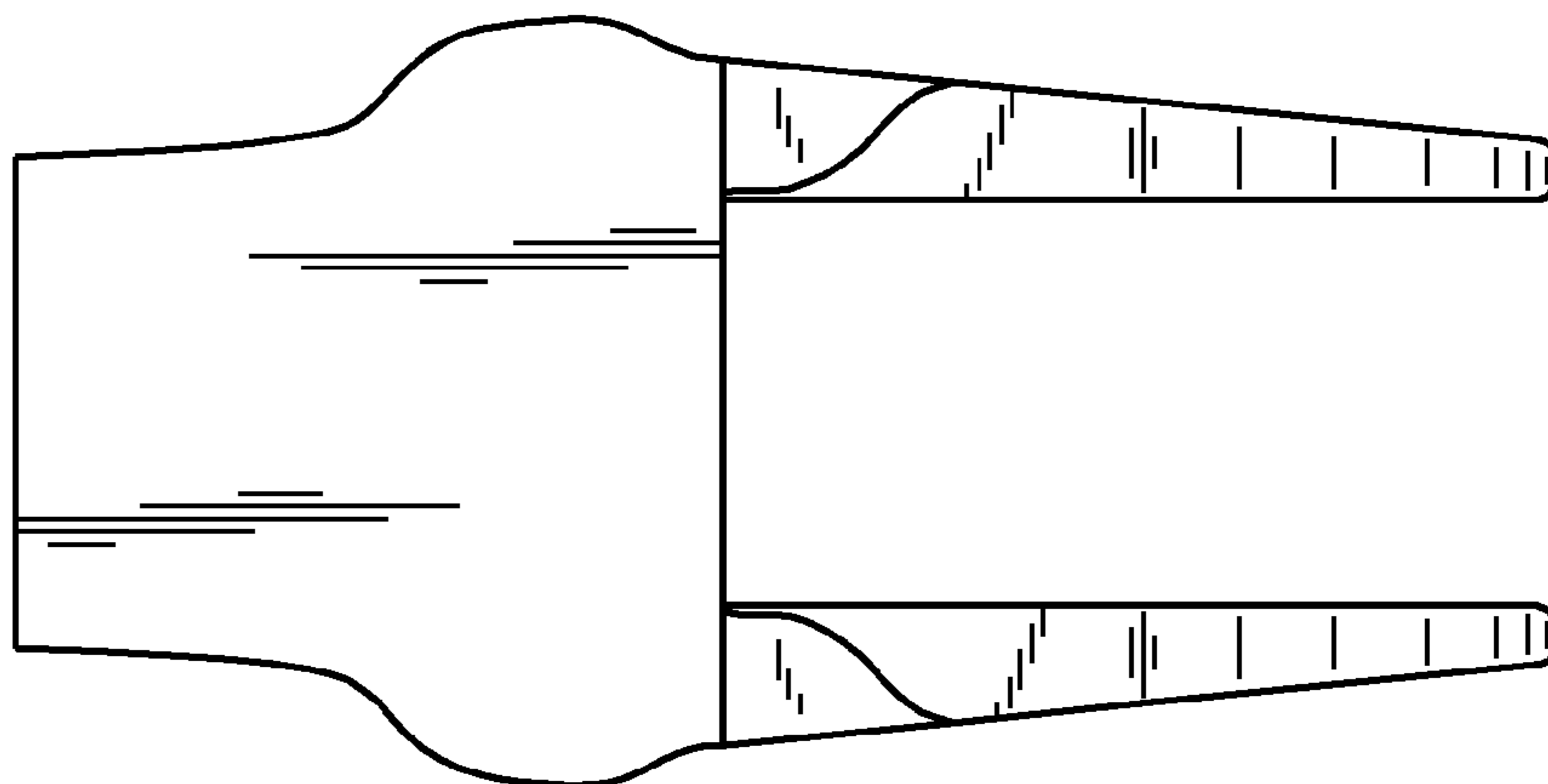


FIG. 6

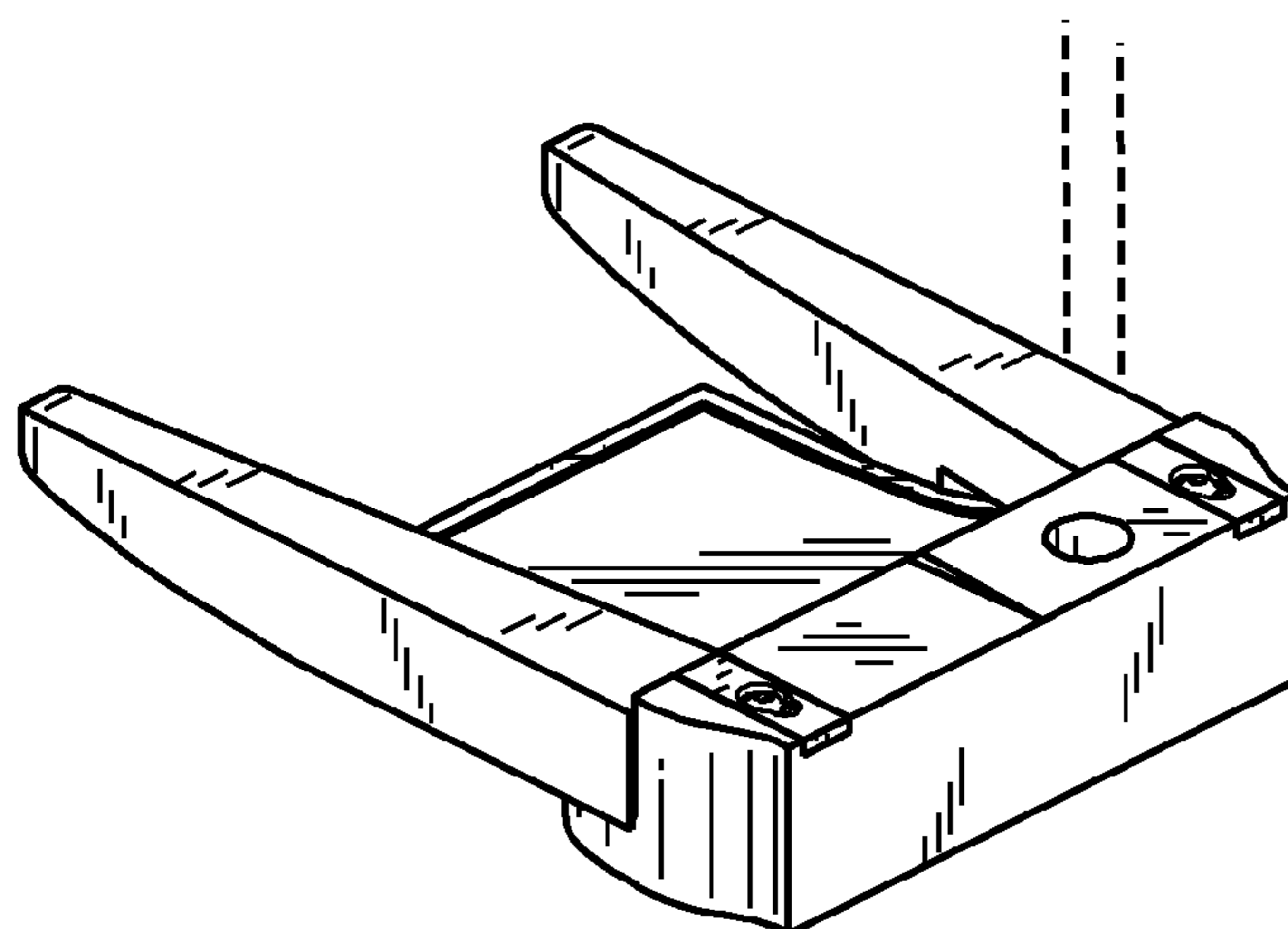
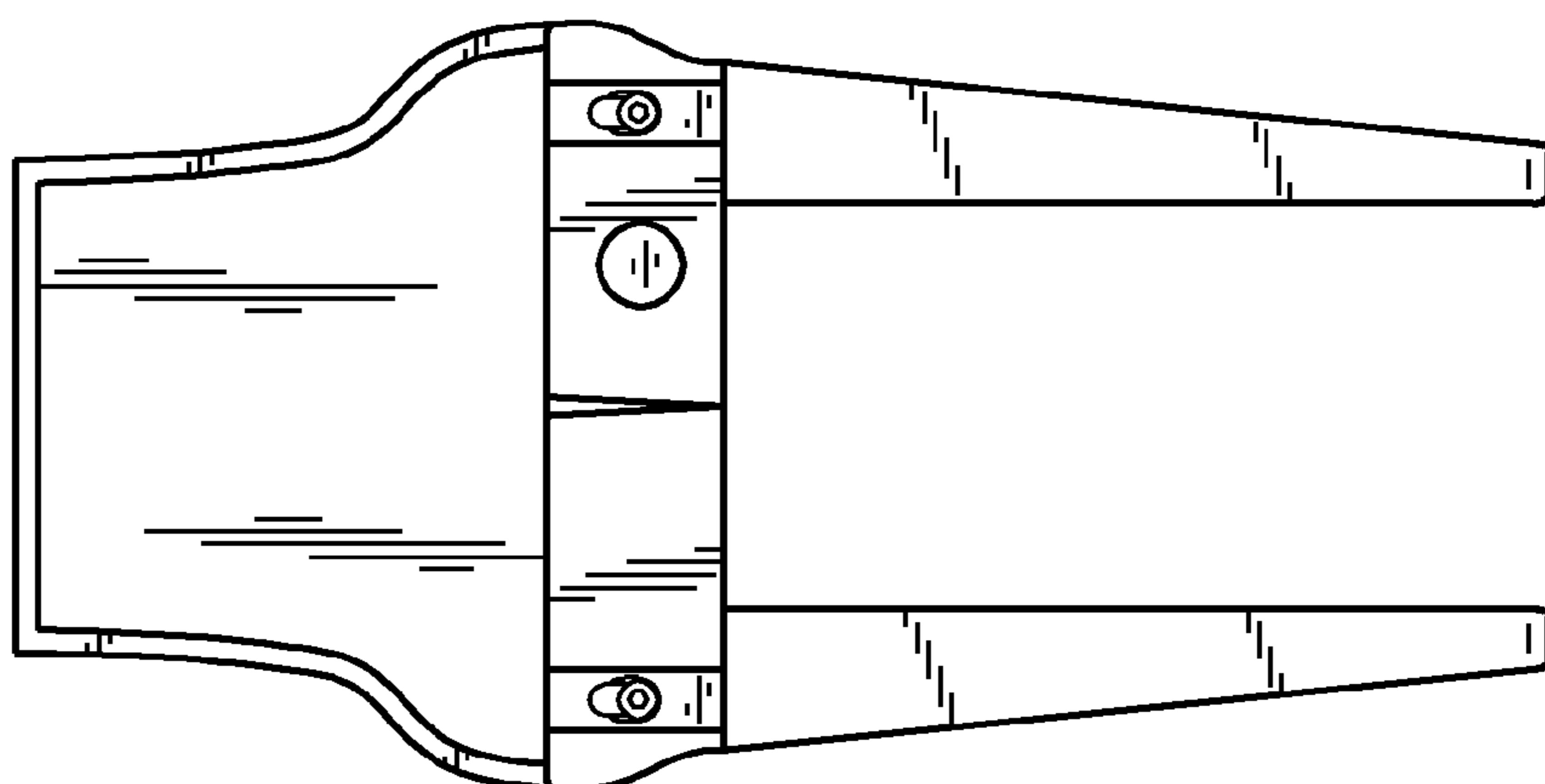


FIG. 7

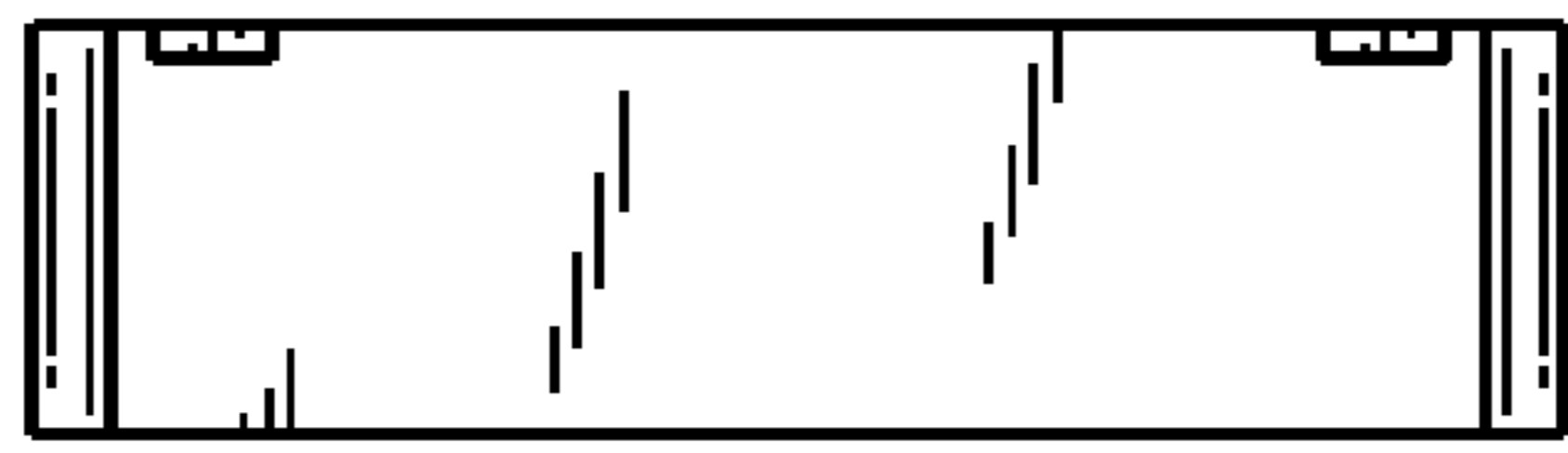


FIG. 8

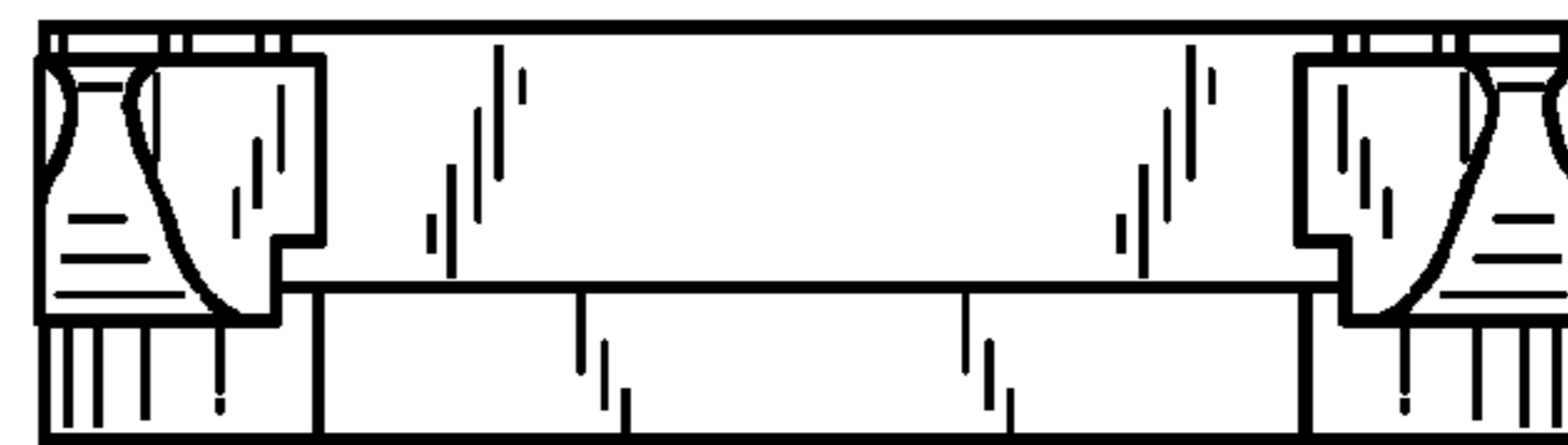


FIG. 9

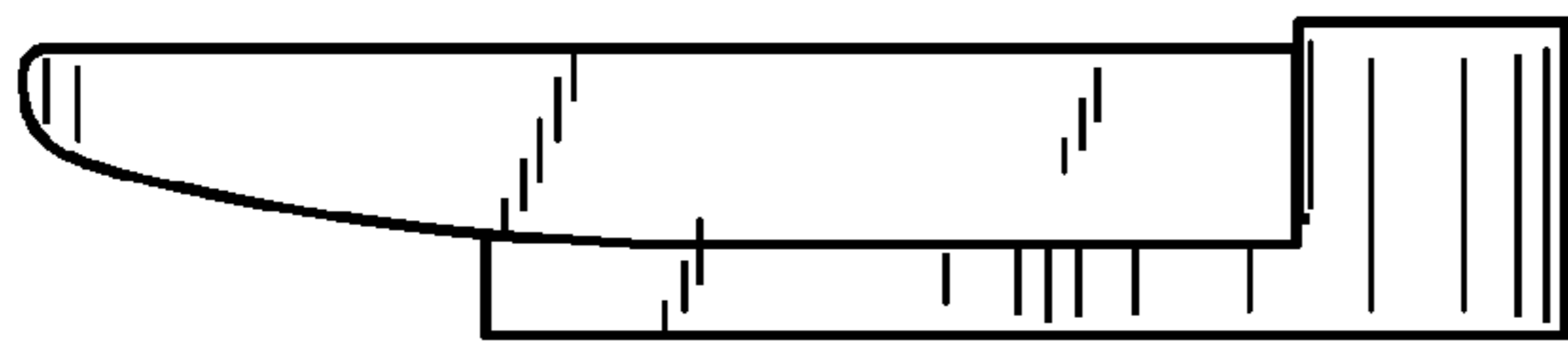


FIG. 10

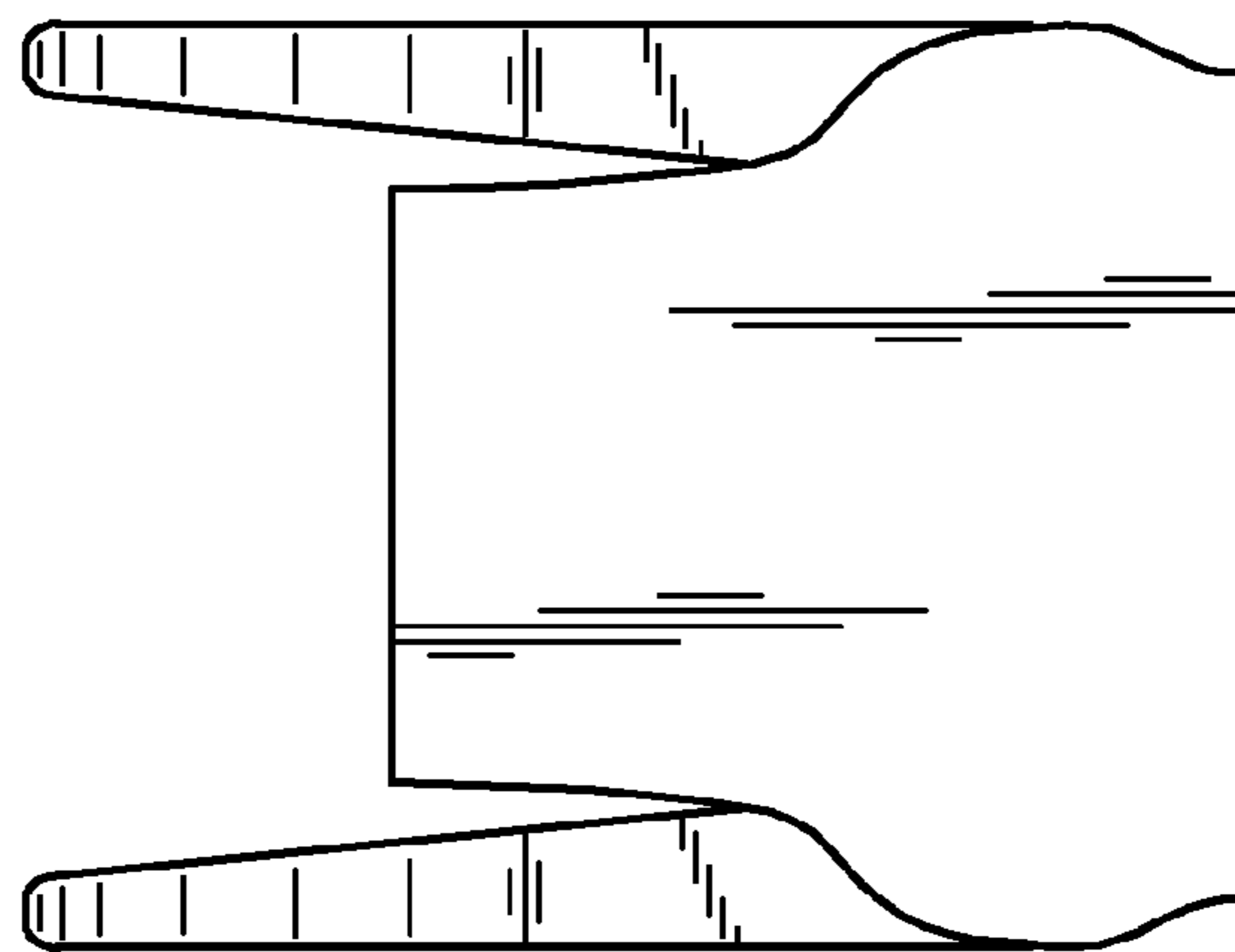


FIG. 11

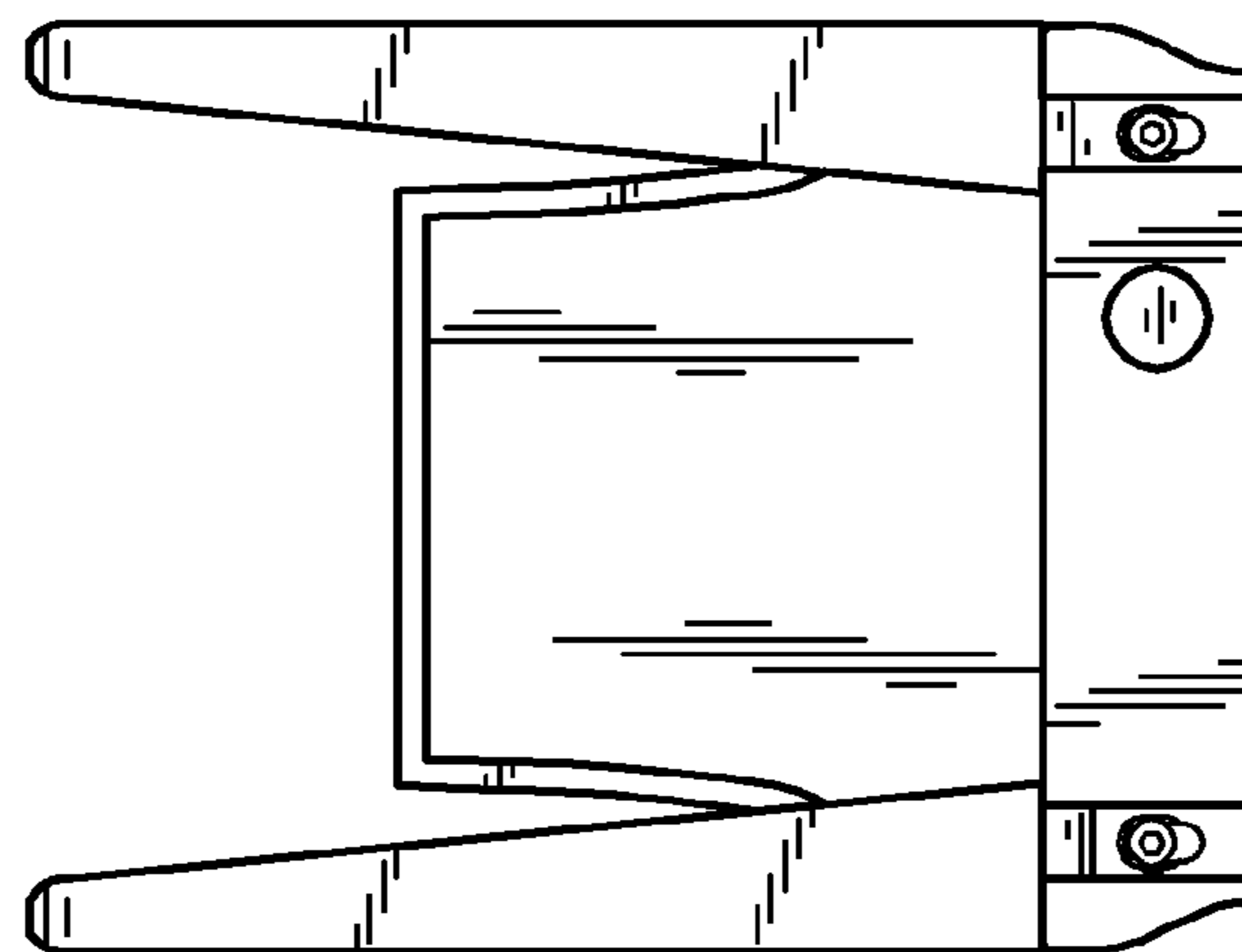


FIG. 12