



US00D663796S

(12) **United States Design Patent**  
**Cen**

(10) **Patent No.:** **US D663,796 S**

(45) **Date of Patent:** **\*\* Jul. 17, 2012**

(54) **TABLE FOR FITNESS EQUIPMENT**

(76) Inventor: **Jianli Cen, Yuyao (CN)**

(\*\*) Term: **14 Years**

(21) Appl. No.: **29/390,416**

(22) Filed: **Apr. 25, 2011**

(51) **LOC (9) Cl.** ..... **21-02**

(52) **U.S. Cl.** ..... **D21/686**

(58) **Field of Classification Search** ..... D21/662,  
D21/671, 677, 680, 681, 684, 686, 691, 694,  
D21/697; D6/457, 480, 511; 482/104-108  
See application file for complete search history.

(56) **References Cited**

**U.S. PATENT DOCUMENTS**

4,666,150	A *	5/1987	Segrist et al.	482/104
4,773,642	A *	9/1988	Cruz	482/104
D349,316	S *	8/1994	Miller et al.	D21/686
5,411,459	A *	5/1995	Hayden	482/104
5,725,460	A *	3/1998	Marsh	482/104
5,772,561	A *	6/1998	Hayden	482/104
5,779,604	A *	7/1998	Towley et al.	482/108
5,954,619	A *	9/1999	Petrone	482/104
5,971,898	A *	10/1999	Schoolfield	482/104
6,039,678	A *	3/2000	Dawson	482/107
D425,950	S *	5/2000	Ceppo	D21/686
D429,295	S *	8/2000	Ceppo	D21/686
D441,813	S *	5/2001	Ceppo	D21/686
D443,660	S *	6/2001	Ceppo	D21/686

D446,560	S *	8/2001	Ceppo	D21/686
D495,382	S *	8/2004	Ceppo	D21/686
D495,383	S *	8/2004	Ceppo	D21/686
6,896,644	B1 *	5/2005	Voigt	482/104
7,022,053	B2 *	4/2006	Whetstone	482/104
7,112,163	B2 *	9/2006	Krull	482/104
D565,132	S *	3/2008	Lien et al.	D21/686
D565,673	S *	4/2008	Lien et al.	D21/686
7,578,771	B1 *	8/2009	Towley et al.	482/106
D627,013	S *	11/2010	Nys	D21/686
2005/0233872	A1 *	10/2005	Harms	482/104

\* cited by examiner

*Primary Examiner* — Susan E Krakower

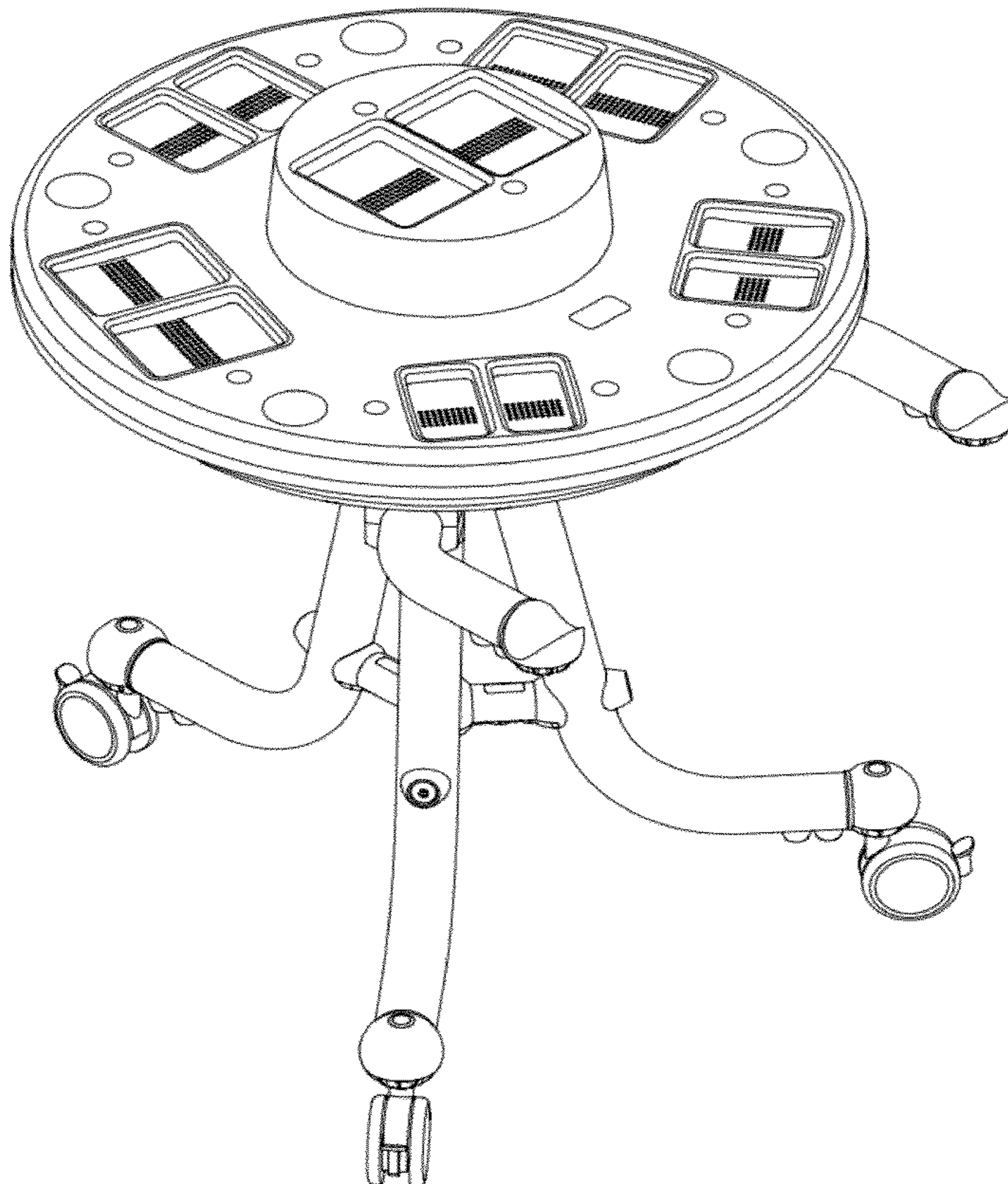
(57) **CLAIM**

The ornamental design for a table for fitness equipment, as shown and described.

**DESCRIPTION**

FIG. 1 is front view of a table for fitness equipment;  
FIG. 2 is a rear view thereof;  
FIG. 3 is a left side view thereof;  
FIG. 4 is a right side view thereof;  
FIG. 5 is a top plan view thereof;  
FIG. 6 is a bottom plan view thereof; and,  
FIG. 7 is a perspective view thereof.  
In the drawings, the broken lines in the figures depict portions of the design that form no part of the claim.

**1 Claim, 7 Drawing Sheets**



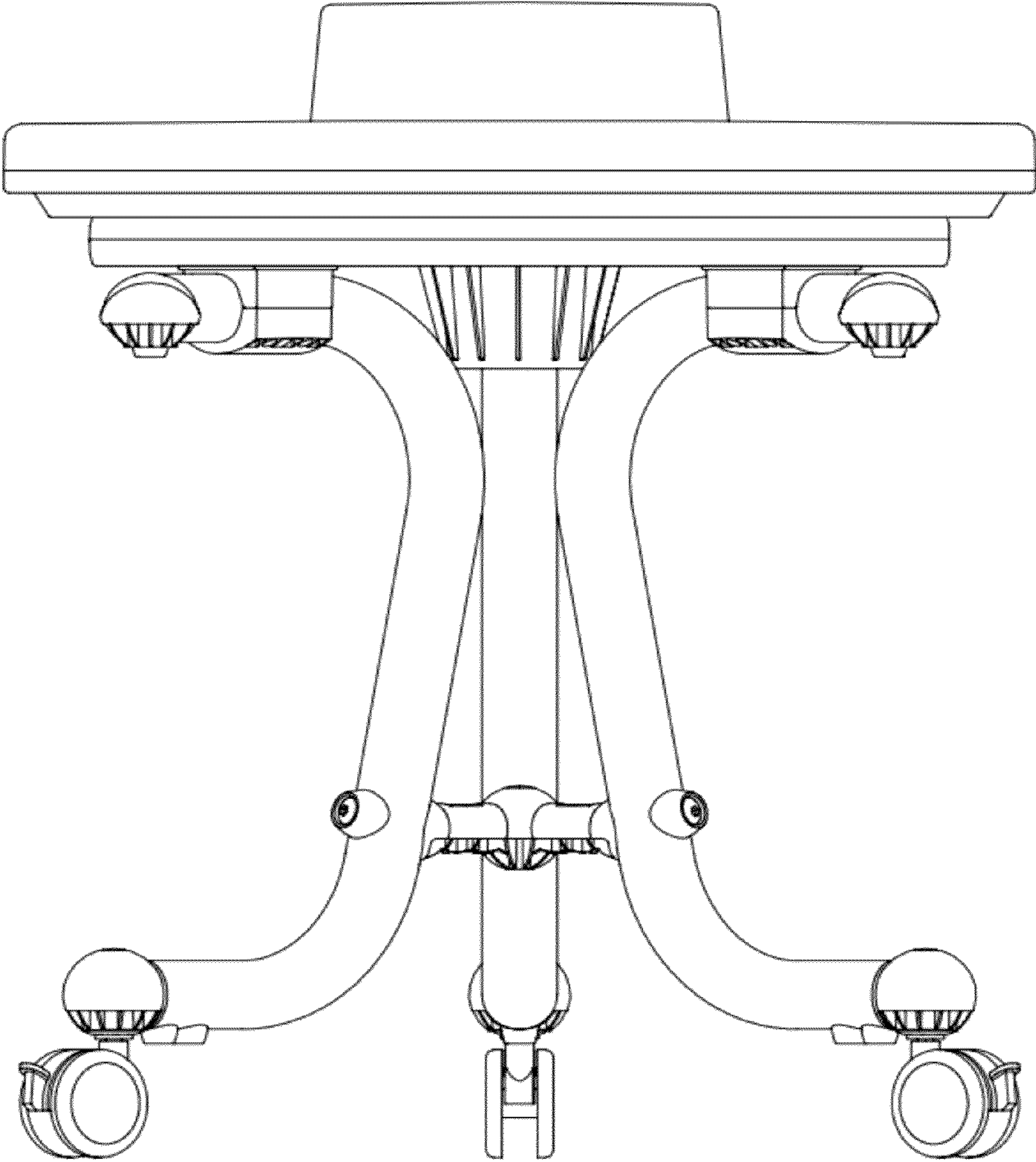


FIGURE 1

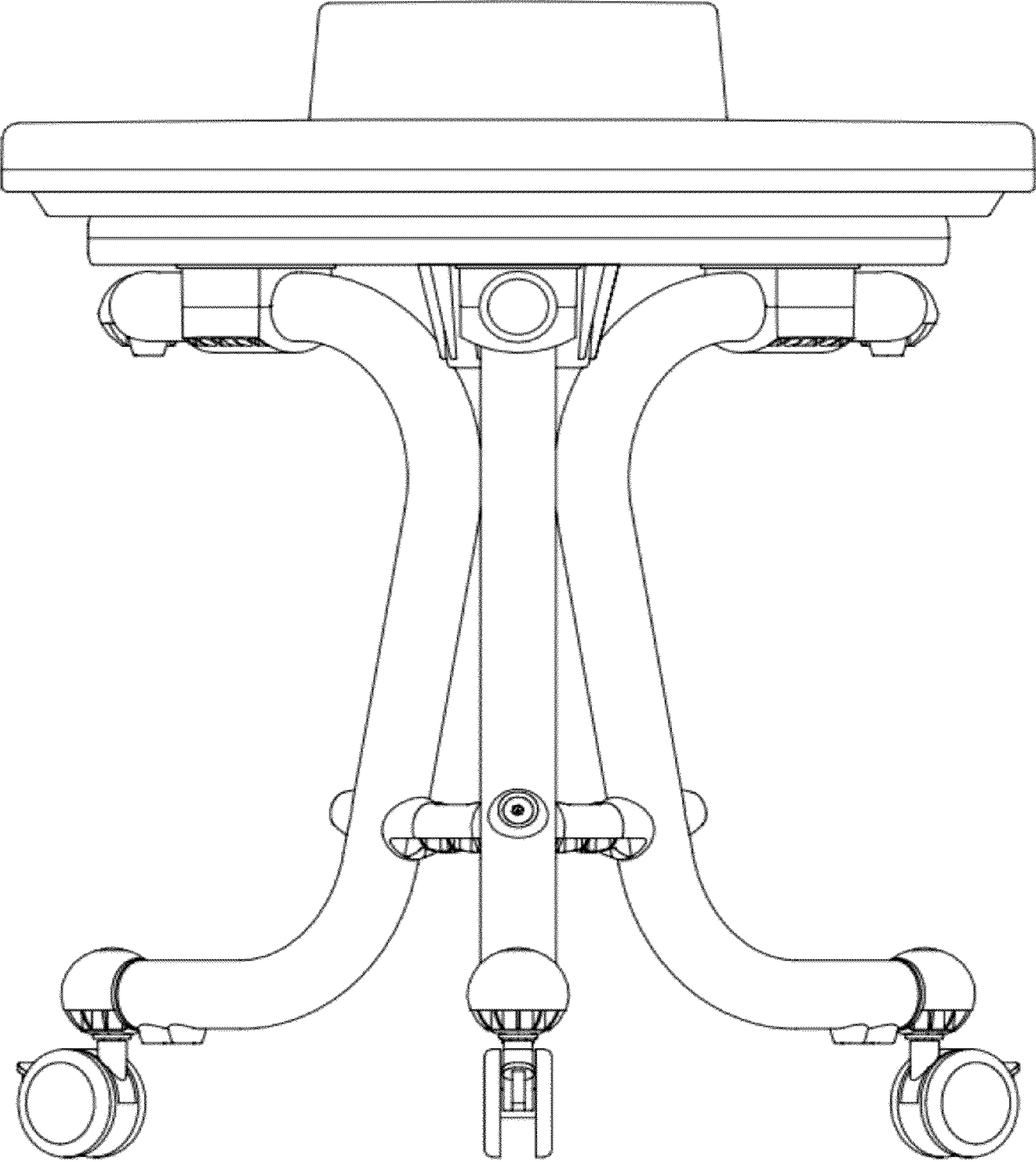


FIGURE 2

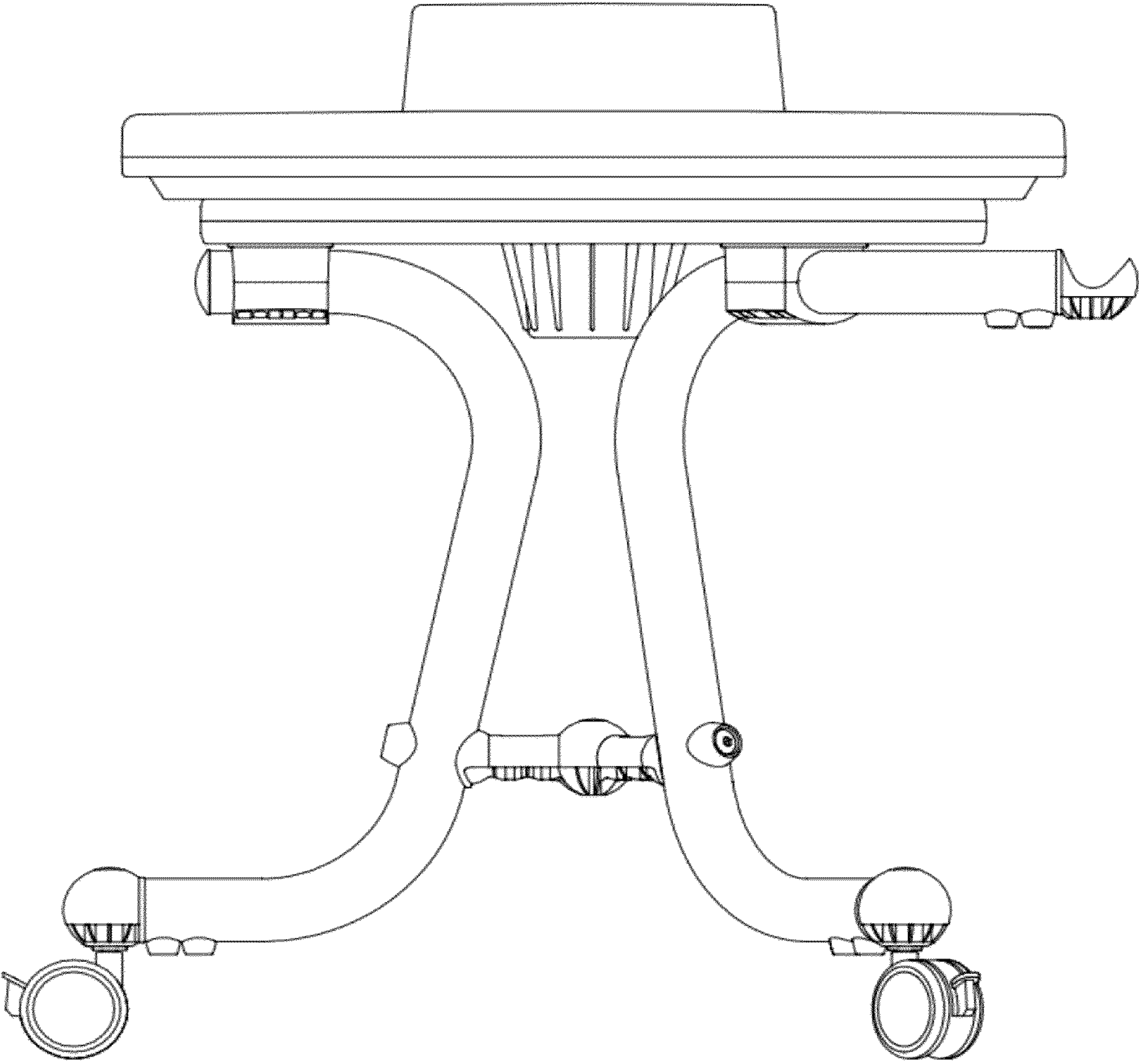


FIGURE 3

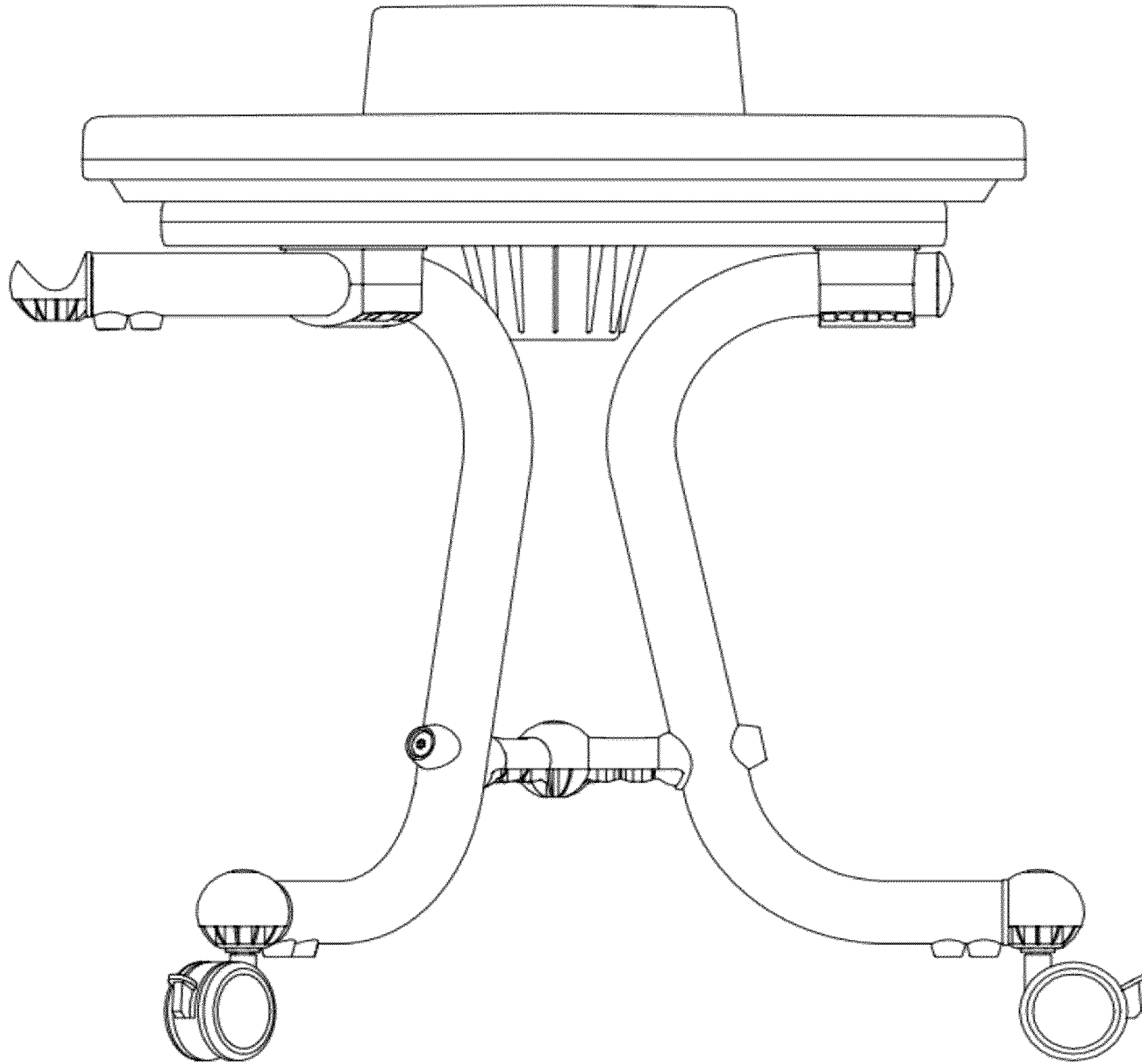


FIGURE 4

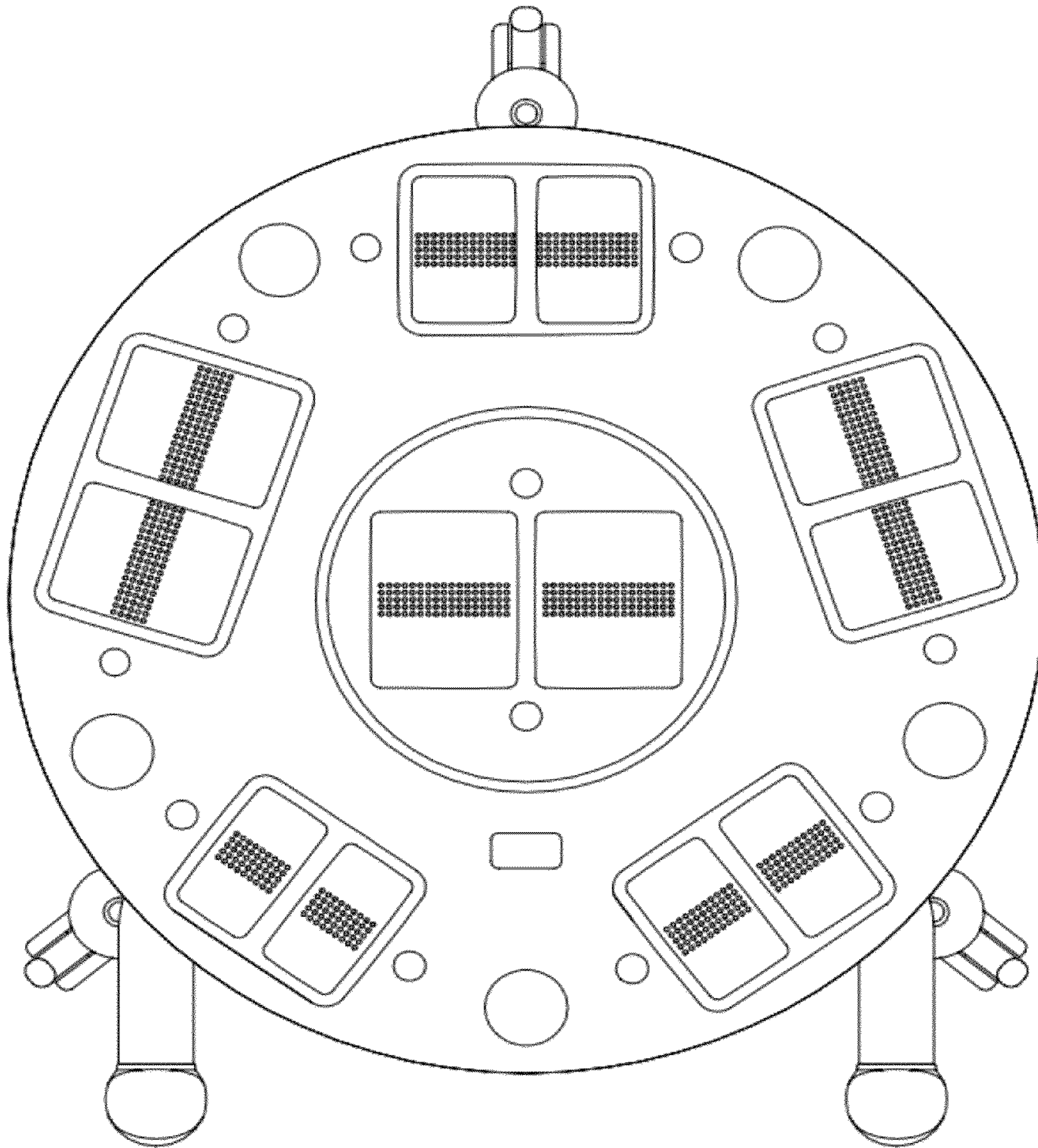


FIGURE 5

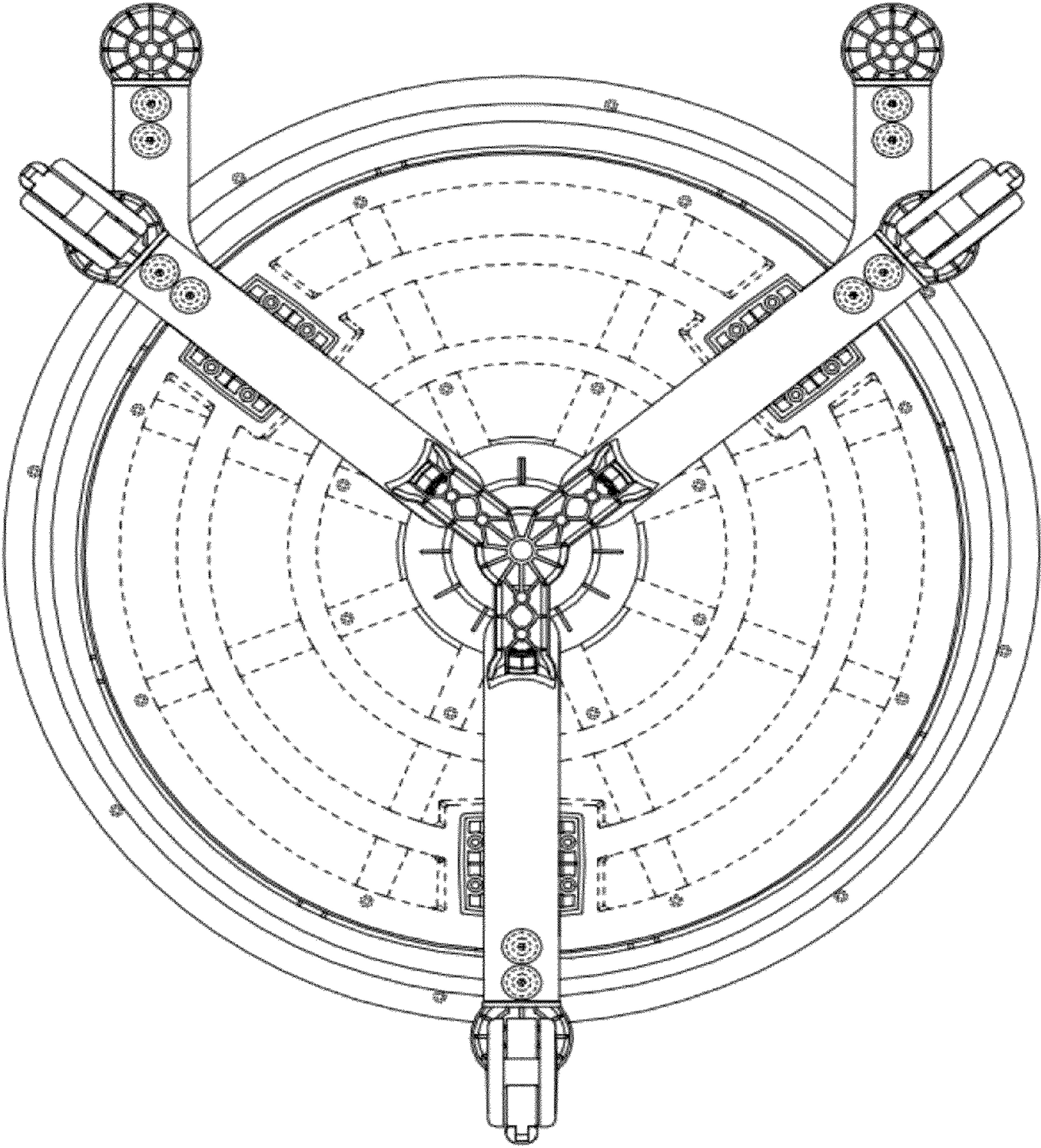


FIGURE 6

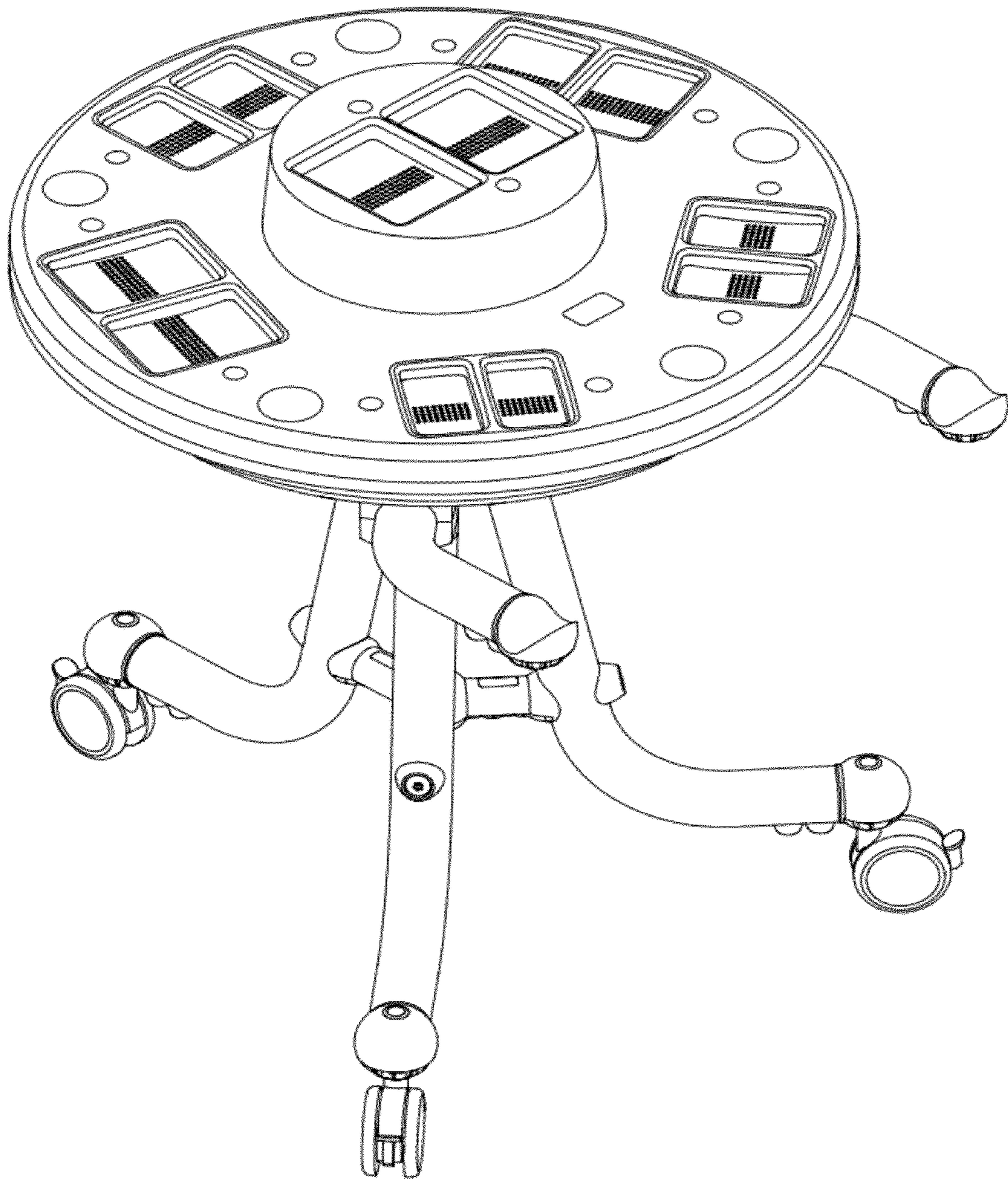


FIGURE 7