



US00D663790S

(12) **United States Design Patent**
Williams

(10) **Patent No.:** **US D663,790 S**
(45) **Date of Patent:** **** Jul. 17, 2012**

(54) **STUFFED ANIMAL**

(76) Inventor: **Emma Williams**, Los Angeles, CA (US)

(**) Term: **14 Years**

(21) Appl. No.: **29/410,516**

(22) Filed: **Jan. 9, 2012**

(51) **LOC (9) Cl.** **21-01**

(52) **U.S. Cl.** **D21/606**

(58) **Field of Classification Search** D11/162;
D21/278-585, 606-607; 446/72, 97-98,
446/268-269, 369, 377

See application file for complete search history.

(56) **References Cited**

U.S. PATENT DOCUMENTS

D210,836 S *	4/1968	Delaney	D21/606
3,734,509 A *	5/1973	Glass et al.	273/139
3,976,807 A *	8/1976	Sweeney et al.	428/16
D270,457 S *	9/1983	Bury	D21/606
D326,297 S *	5/1992	Noshiro	D21/606
D336,941 S *	6/1993	Leung	D21/606
D377,379 S *	1/1997	Efverlund	D21/576
D564,400 S *	3/2008	Chen	D11/162
D564,401 S *	3/2008	Chen	D11/162
D603,465 S *	11/2009	Kelly	D21/606

* cited by examiner

Primary Examiner — Sandra Morris

(74) *Attorney, Agent, or Firm* — Omni Legal Group; Omid E. Khalifeh

(57) **CLAIM**

The ornamental design for a stuffed animal, as shown and described.

DESCRIPTION

FIG. 1 is a perspective view of a stuffed animal according to the present invention;
 FIG. 2 is a front view of a stuffed animal according to the present invention;
 FIG. 3 is a rear view of a stuffed animal according to the present invention;
 FIG. 4 is a side view of a stuffed animal according to the present invention;
 FIG. 5 is a second side view of a stuffed animal according to the present invention;
 FIG. 6 is a top view of a stuffed animal according to the present invention; and,
 FIG. 7 is a bottom view of a stuffed animal according to the present invention.
 The broken lines shown in the drawings are for the purpose of illustrating portions of the stuffed animal and form no part of the claimed design.

1 Claim, 6 Drawing Sheets





FIG. 1



FIG. 2

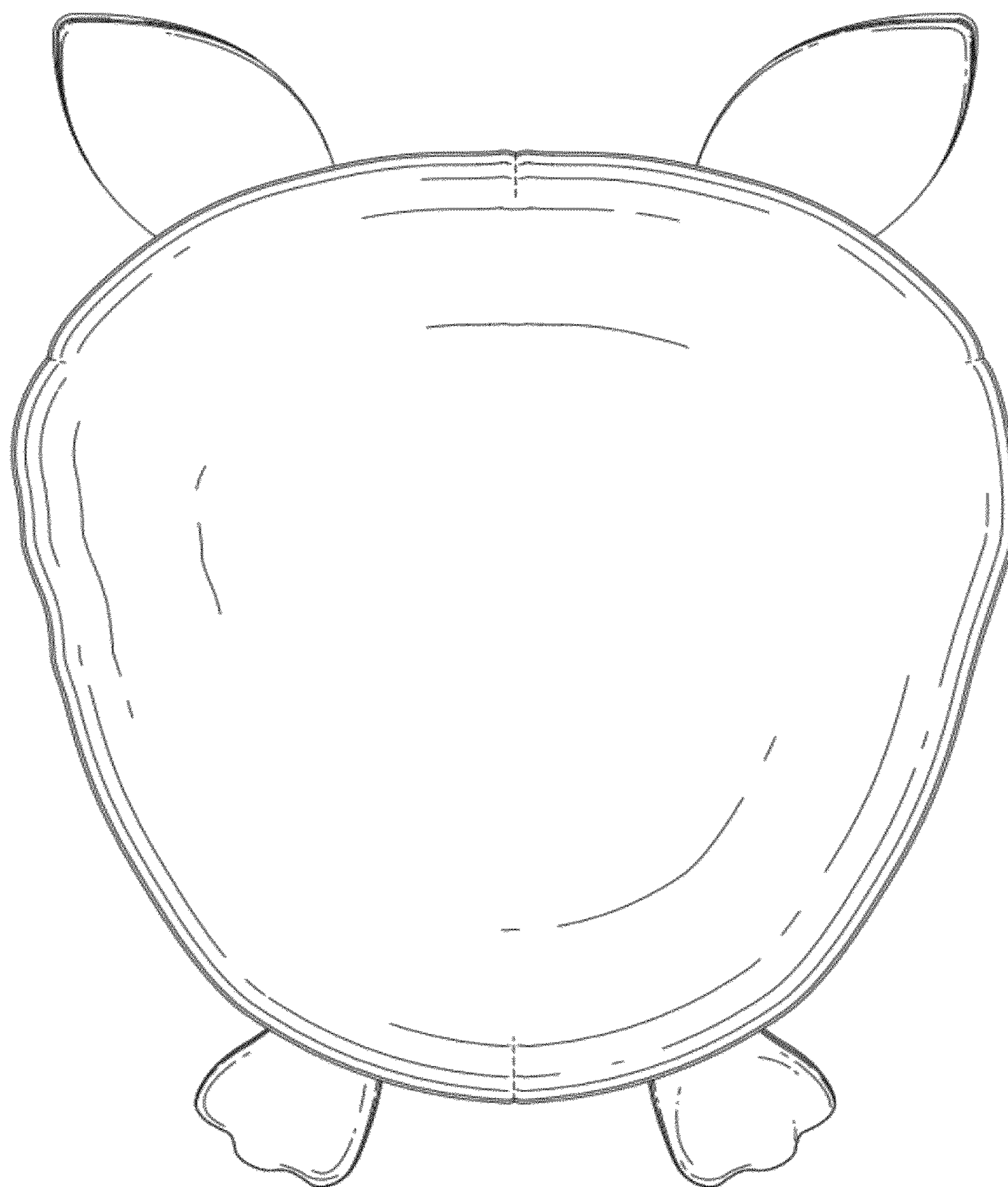


FIG. 3

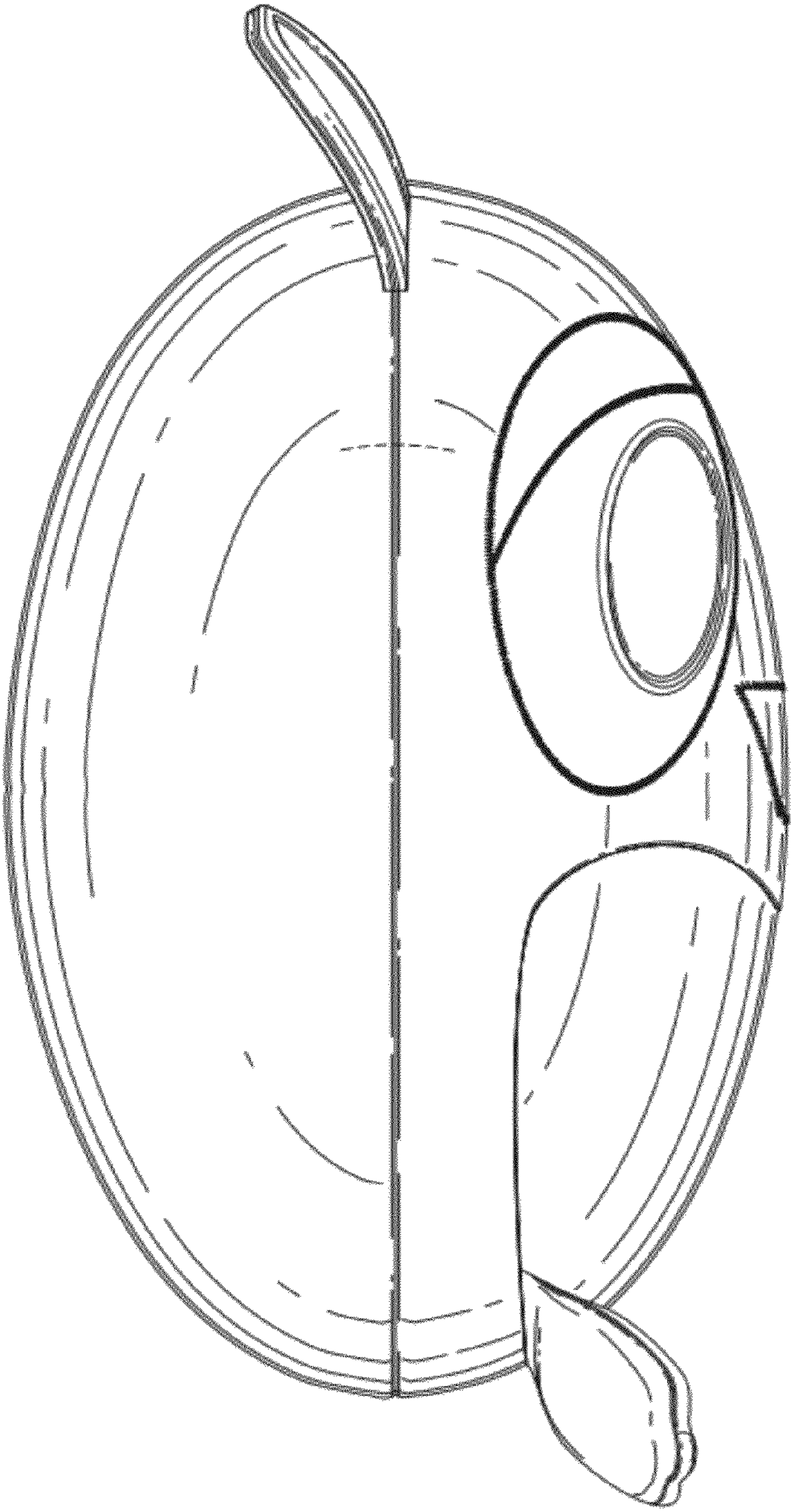


FIG. 4

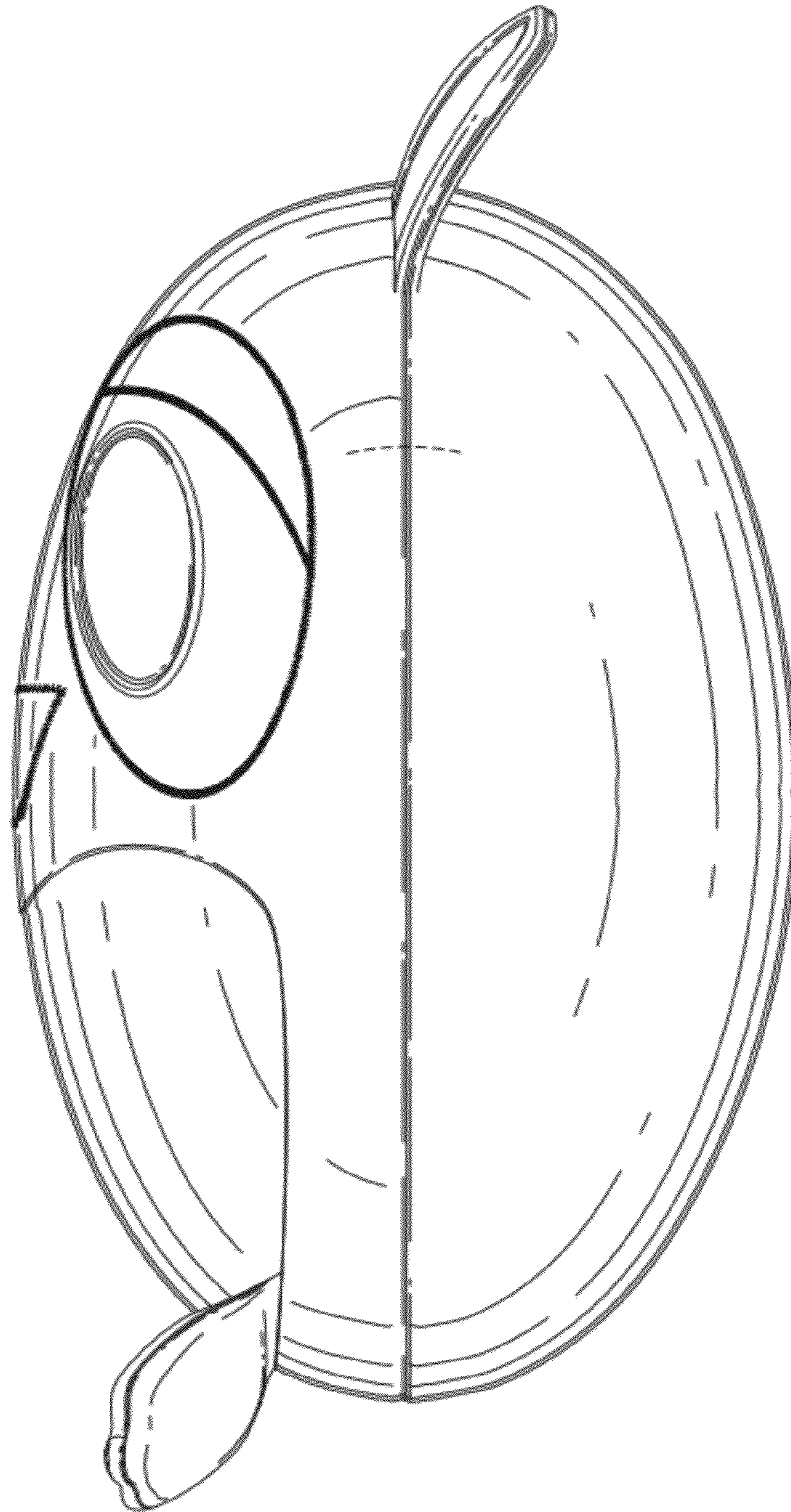


FIG. 5

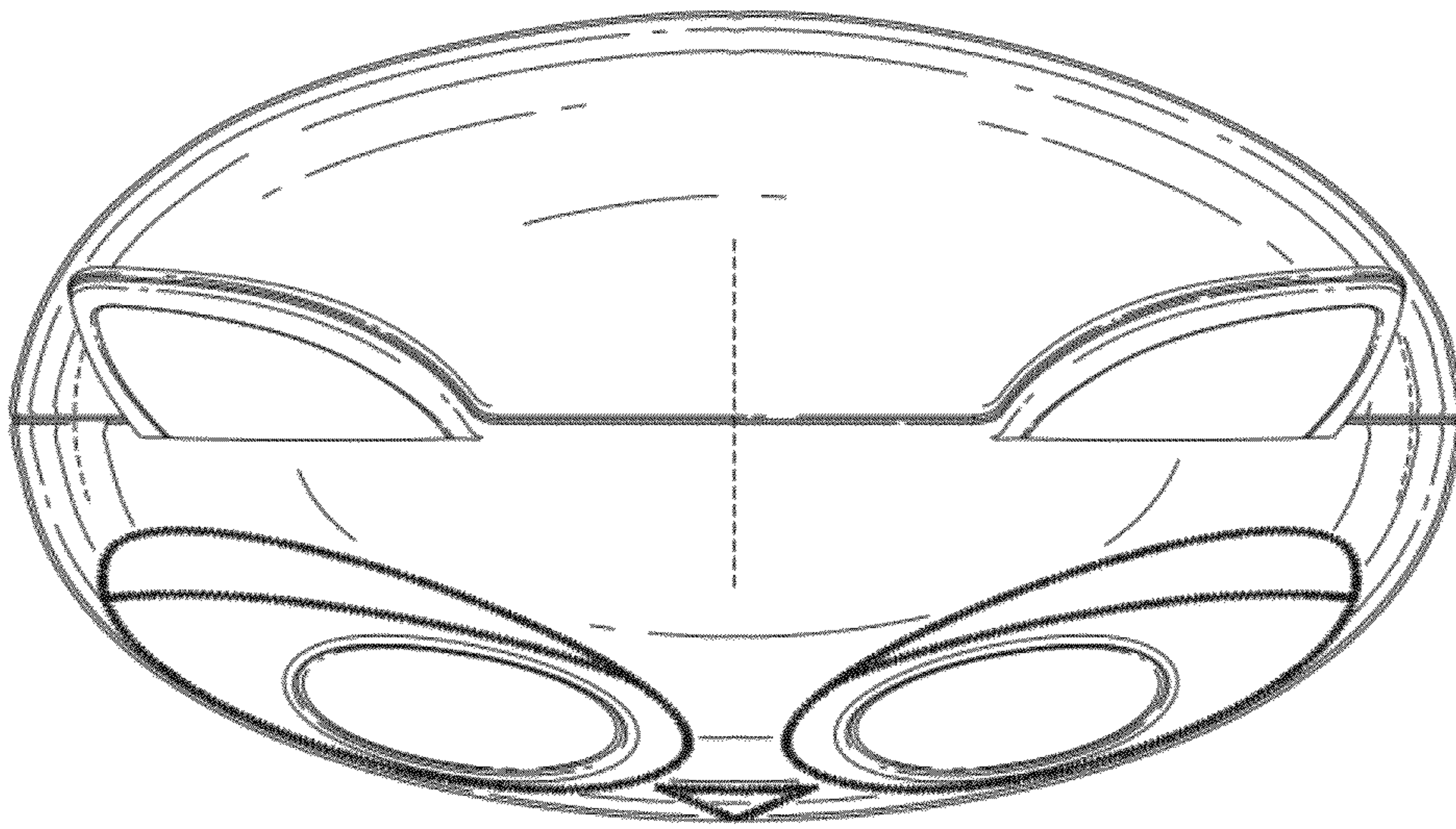


FIG. 6

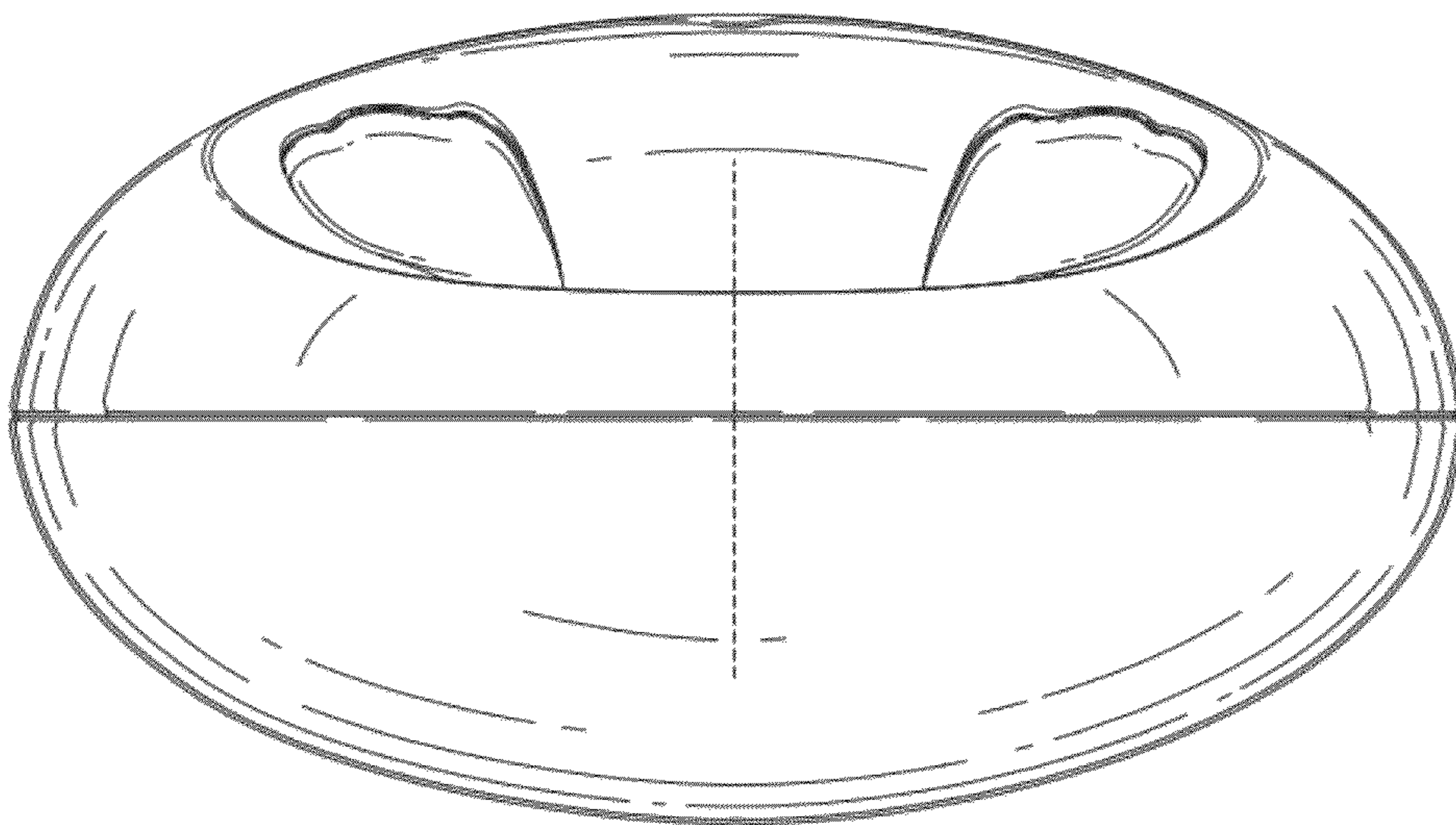


FIG. 7