

US00D663788S

(12) **United States Design Patent**
Mimlitch, III et al.

(10) **Patent No.:** **US D663,788 S**
(45) **Date of Patent:** **** Jul. 17, 2012**

(54) **STARTING STANDOFF COMPONENT FOR USE WITH A TOY PLAYSET**

(75) Inventors: **Robert H. Mimlitch, III**, Rowlett, TX (US); **David A. Norman**, Greenville, TX (US); **Douglas Galletti**, Allen, TX (US); **Joel Carter**, Argyle, TX (US); **Gregory Lavender**, Rockwall, TX (US); **Gregory Needel**, Rockwall, TX (US); **Christopher Robert Troyak**, Plano, TX (US); **Jeffrey Russell Waegelin**, Rockwall, TX (US); **Brian Richard Delaney**, Rockwall, TX (US)

(73) Assignee: **Innovation First International, Inc.**, Greenville, TX (US)

(**) Term: **14 Years**

(21) Appl. No.: **29/399,672**

(22) Filed: **Aug. 17, 2011**

(51) **LOC (9) Cl.** **21-01**

(52) **U.S. Cl.** **D21/565; D21/506**

(58) **Field of Classification Search** D21/484, D21/490, 493, 506, 509, 564, 565, 814, 826, D21/827, 831-833; 446/168-174, 84, 89, 446/108, 112, 114, 116, 124-128, 429, 444-447; 463/58-69; 238/10 R, 10 A-10 C, 10 E, 238/10 F; 104/60, 69

See application file for complete search history.

(56) **References Cited**

U.S. PATENT DOCUMENTS

3,599,365	A *	8/1971	Carver et al.	446/430
3,908,303	A *	9/1975	McKay et al.	446/430
D252,650	S *	8/1979	Cartabiano	D21/477
D262,048	S *	11/1981	Kato	D21/564
D318,501	S *	7/1991	Ngai	D21/564
5,439,230	A *	8/1995	Mendes, Jr.	273/349
5,767,655	A *	6/1998	Ostendorff et al.	446/454
6,762,586	B2 *	7/2004	Choi	446/454

* cited by examiner

Primary Examiner — Cynthia M Chin

(74) *Attorney, Agent, or Firm* — Adam K. Sacharoff

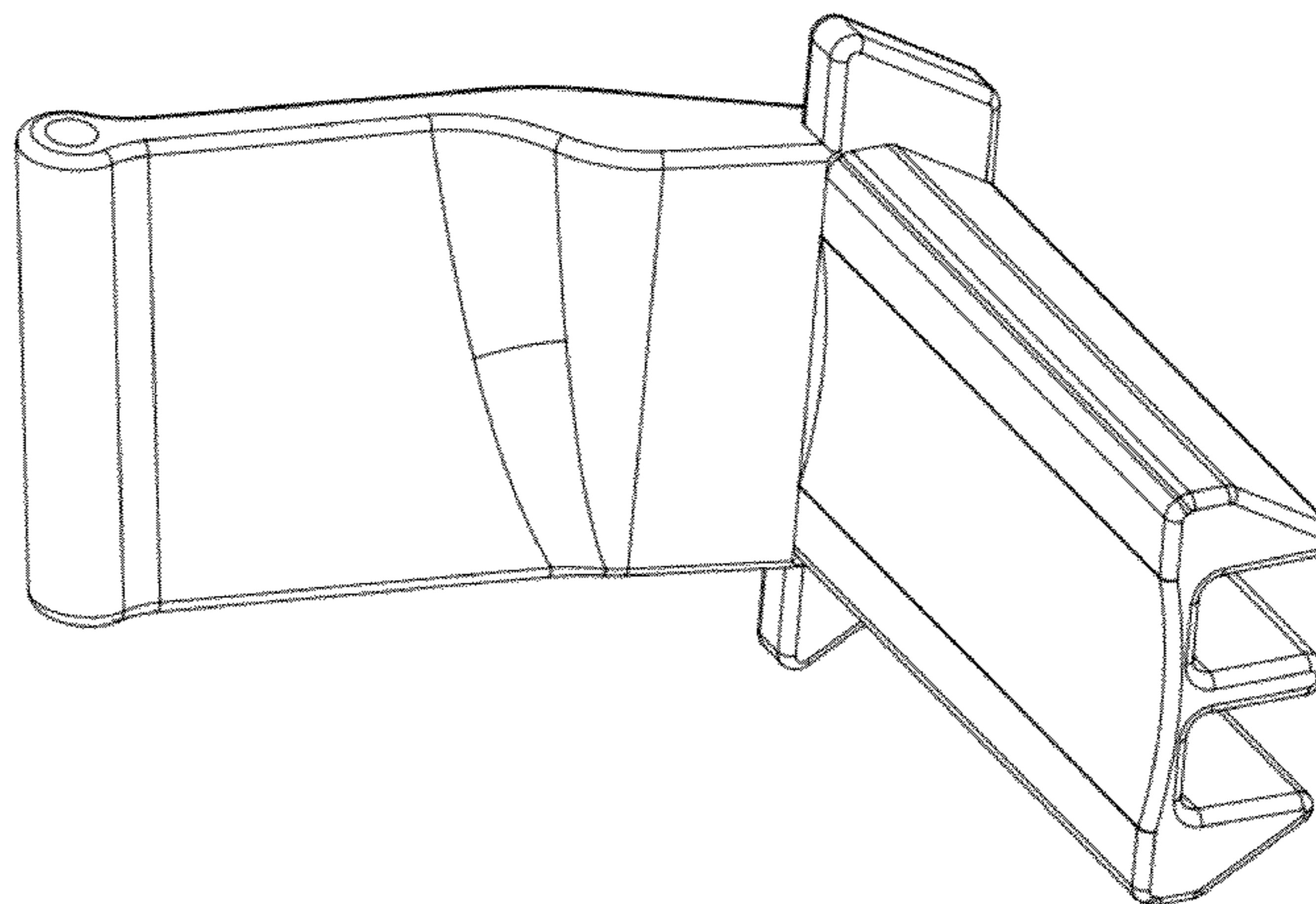
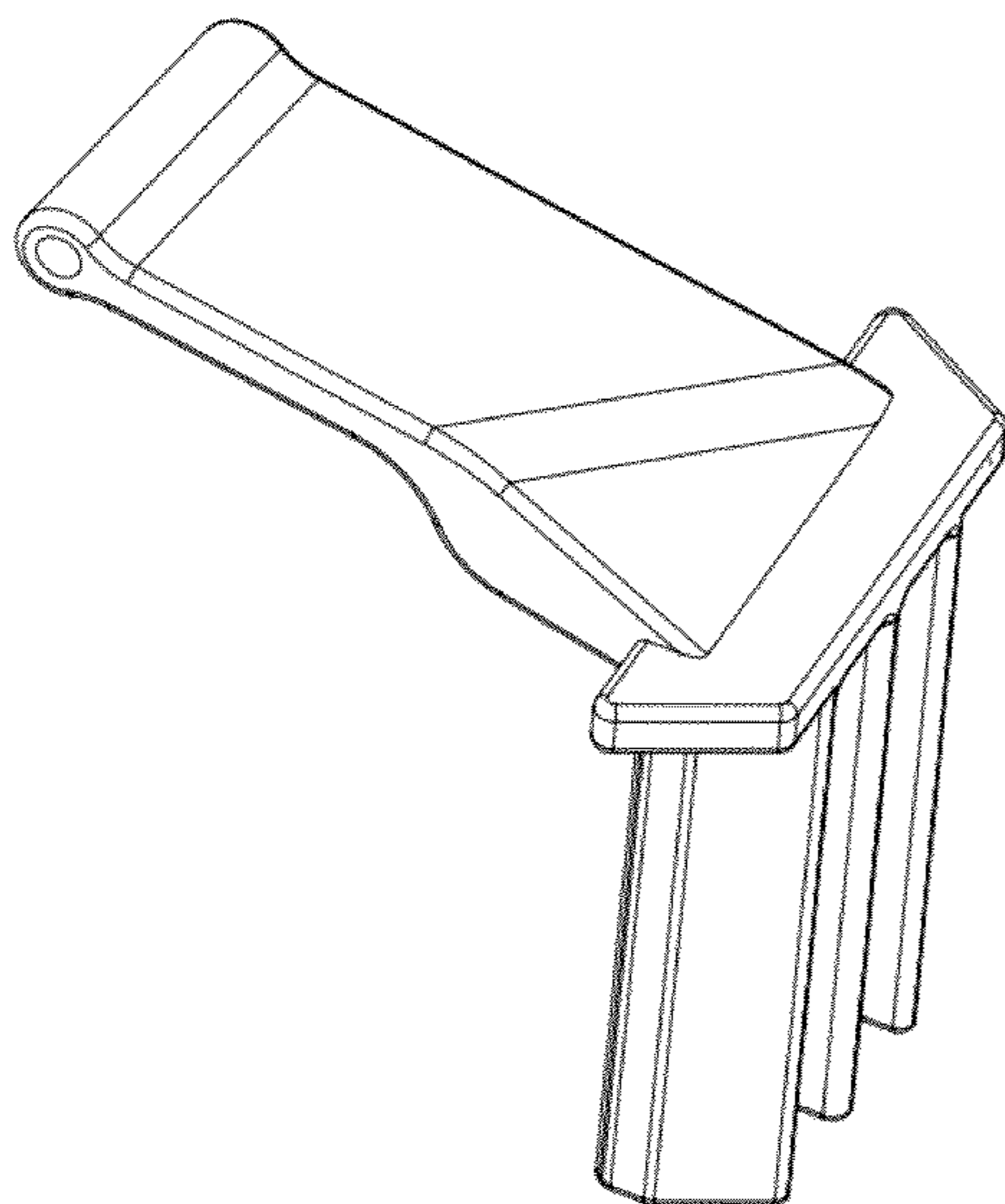
(57) **CLAIM**

The ornamental design for a starting standoff component for use with a toy playset, as shown and described.

DESCRIPTION

FIG. 1 is a top perspective view showing the starting standoff component for use with a toy playset; FIG. 2 is a bottom perspective view of FIG. 1; FIG. 3 is a right side view of FIG. 1; FIG. 4 is a front side view of FIG. 1; FIG. 5 is a left side view of FIG. 1; FIG. 6 is a back side view of FIG. 1; FIG. 7 is a bottom side view of FIG. 1; and, FIG. 8 is a top side view of FIG. 1.

1 Claim, 8 Drawing Sheets



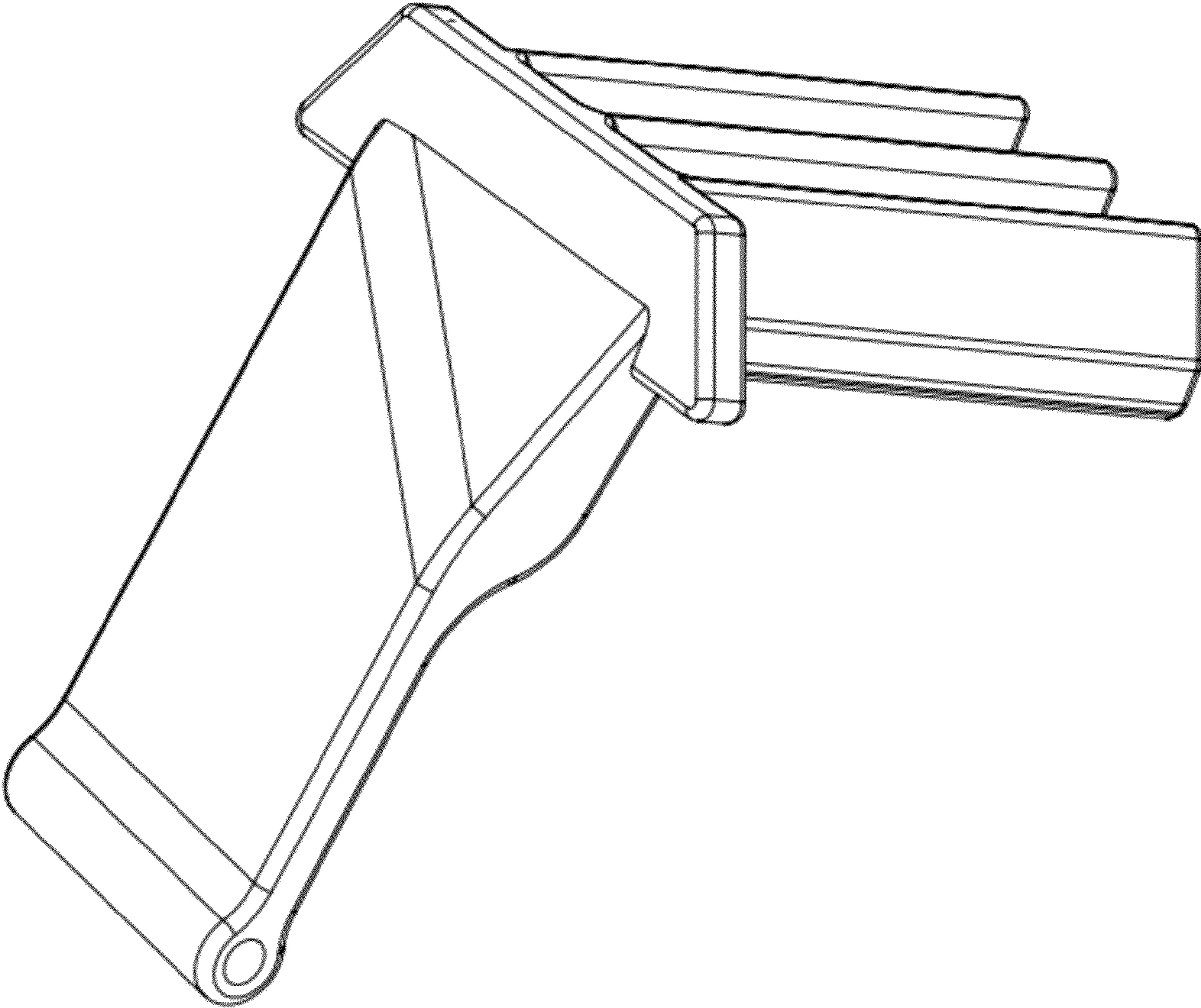


FIGURE 1

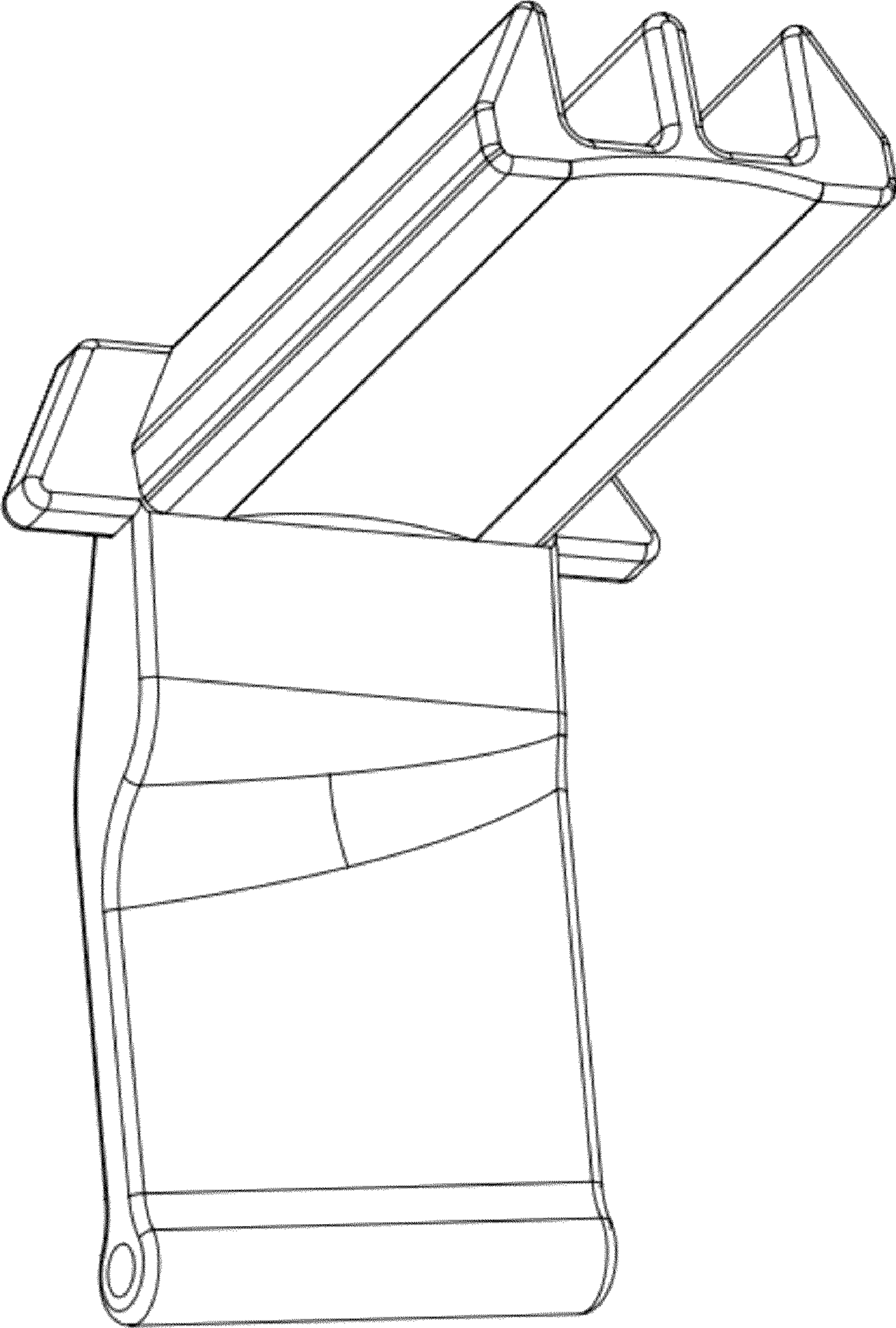


FIGURE 2

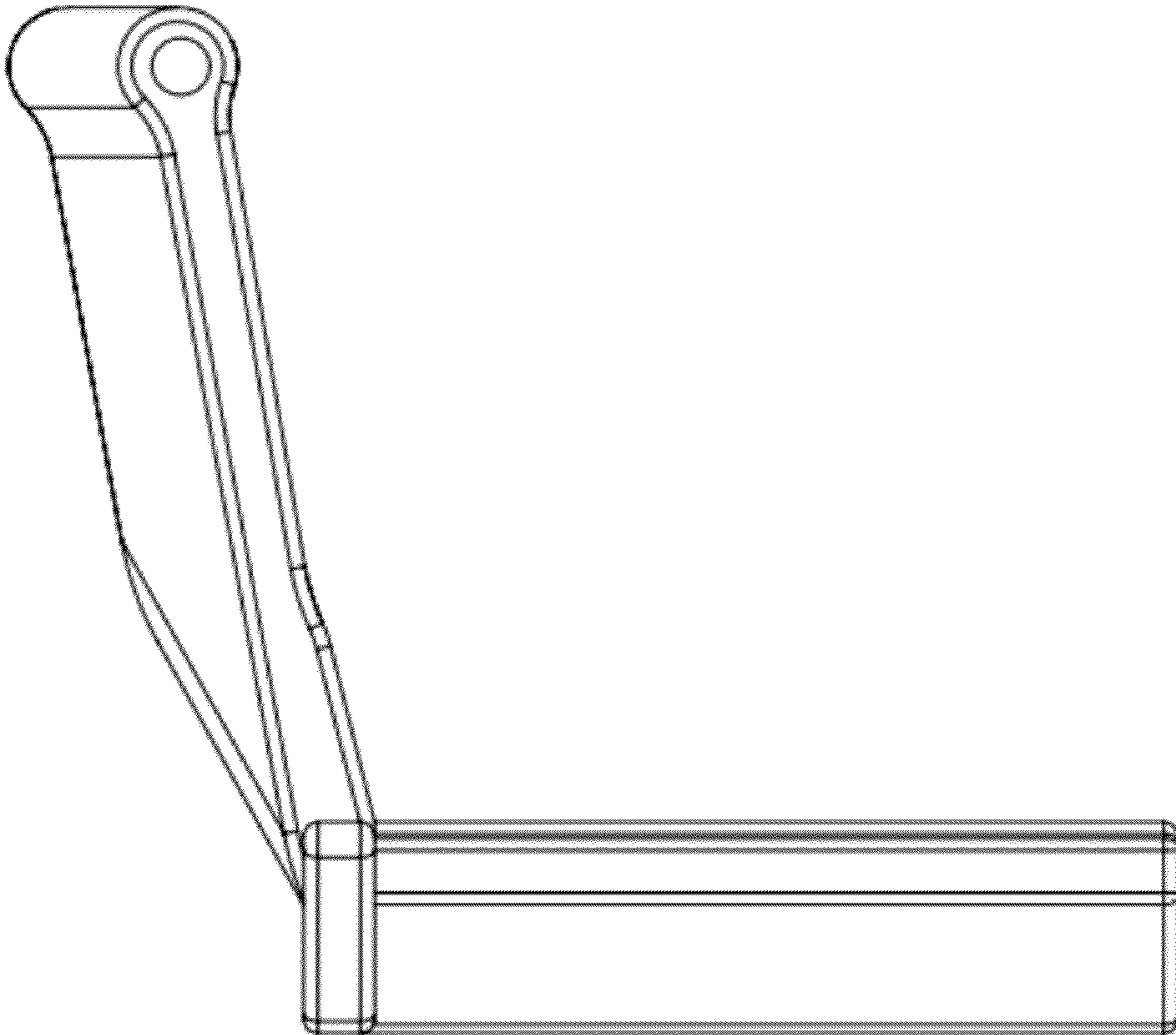


FIGURE 3

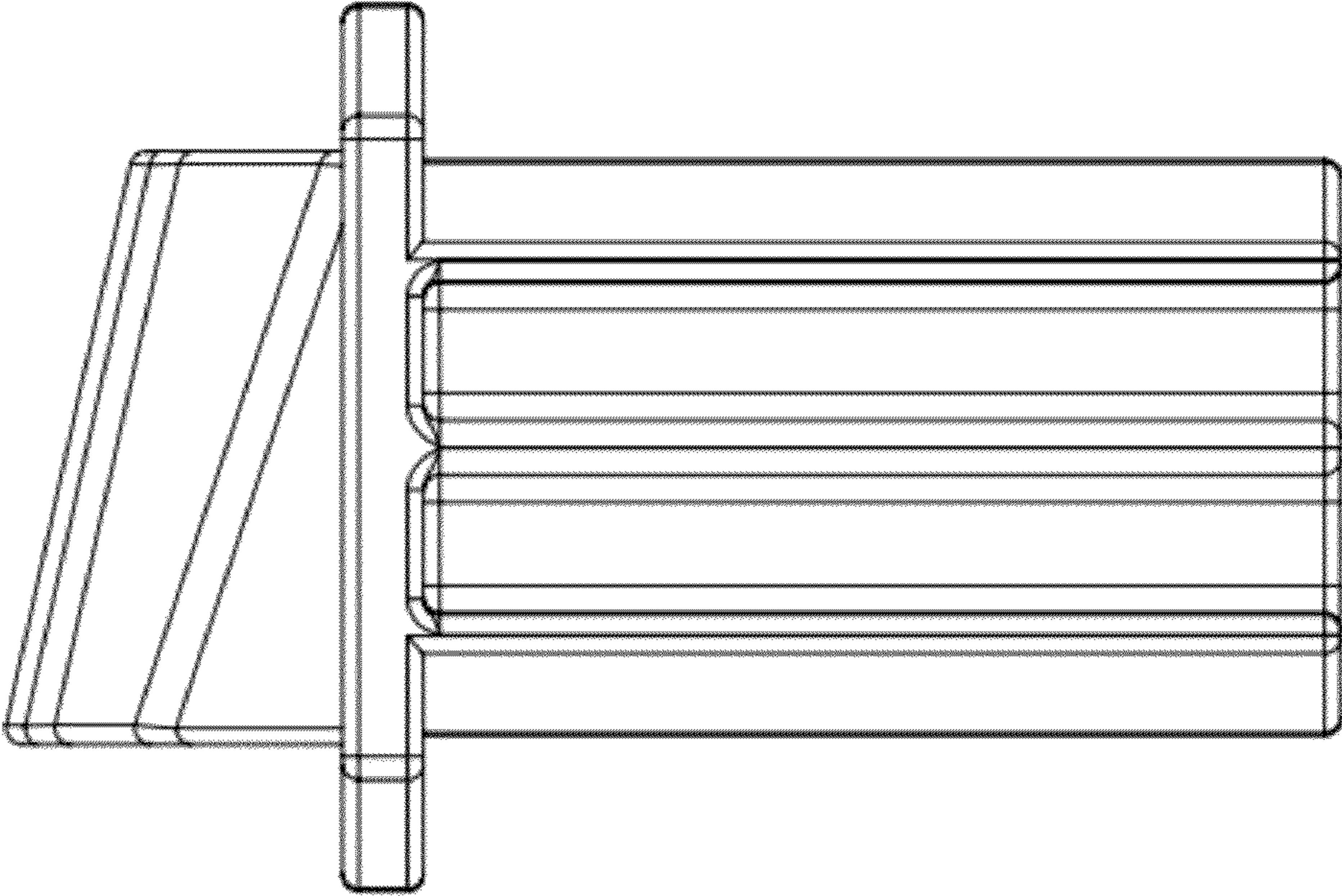


FIGURE 4

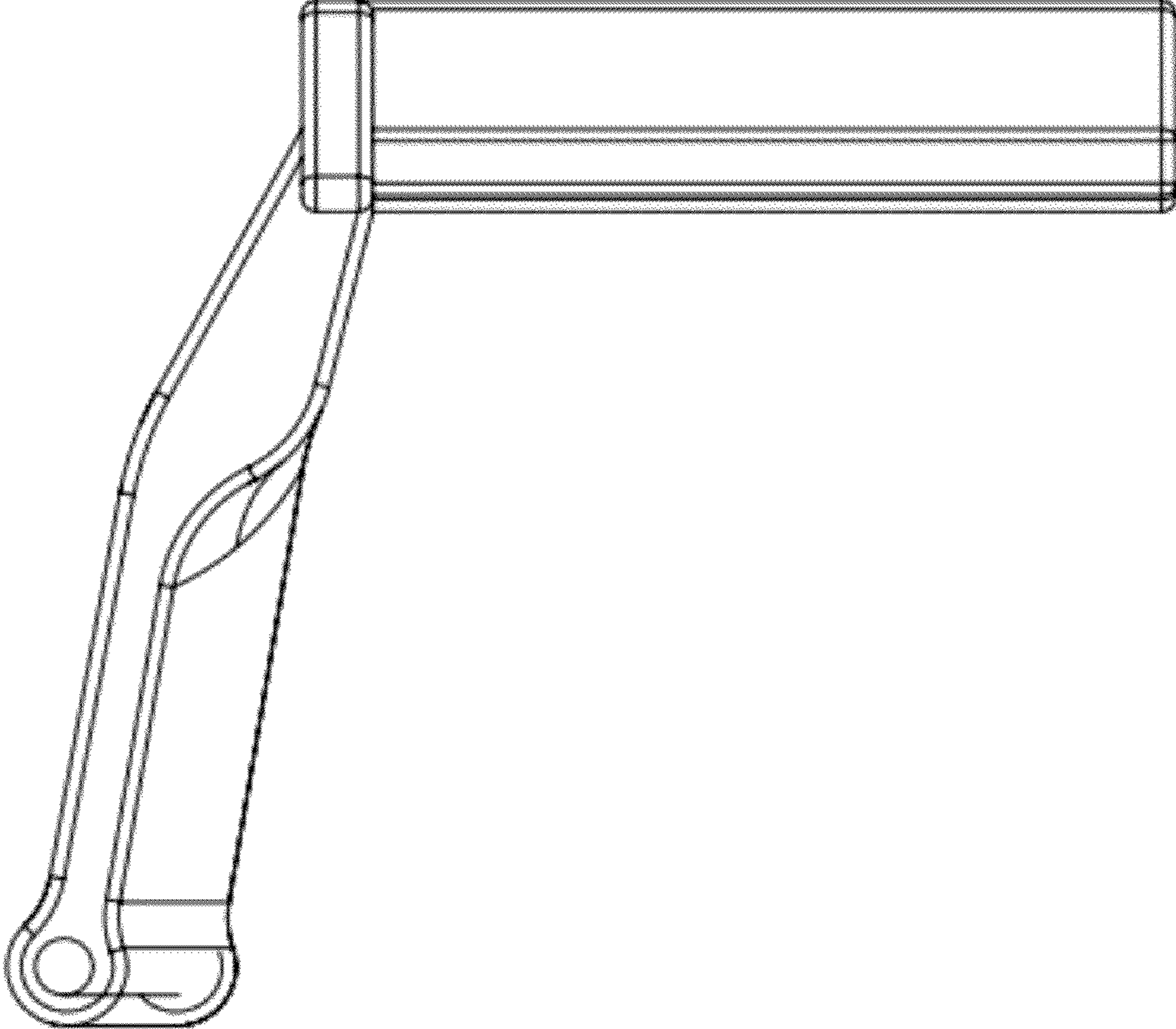


FIGURE 5

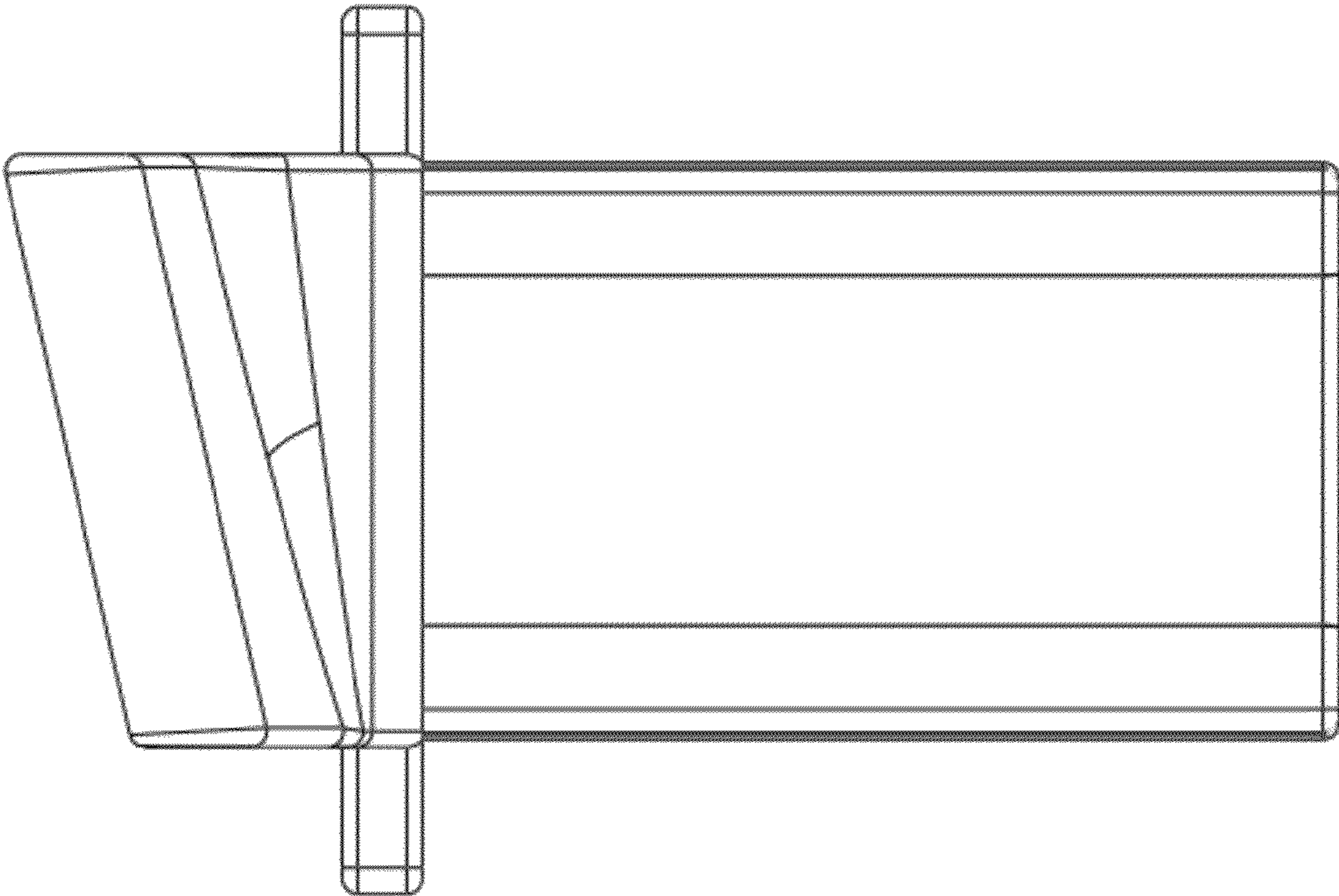


FIGURE 6

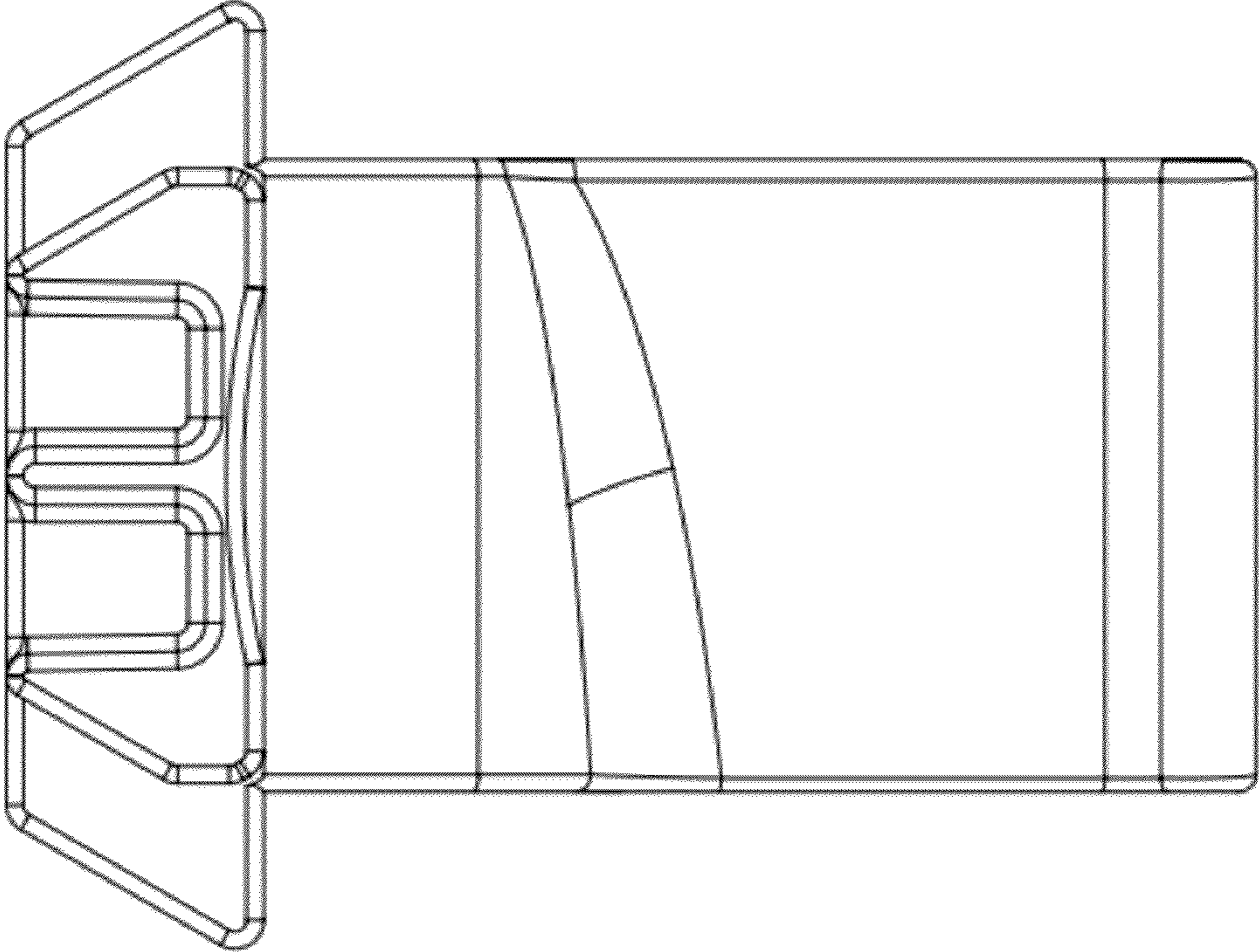


FIGURE 7

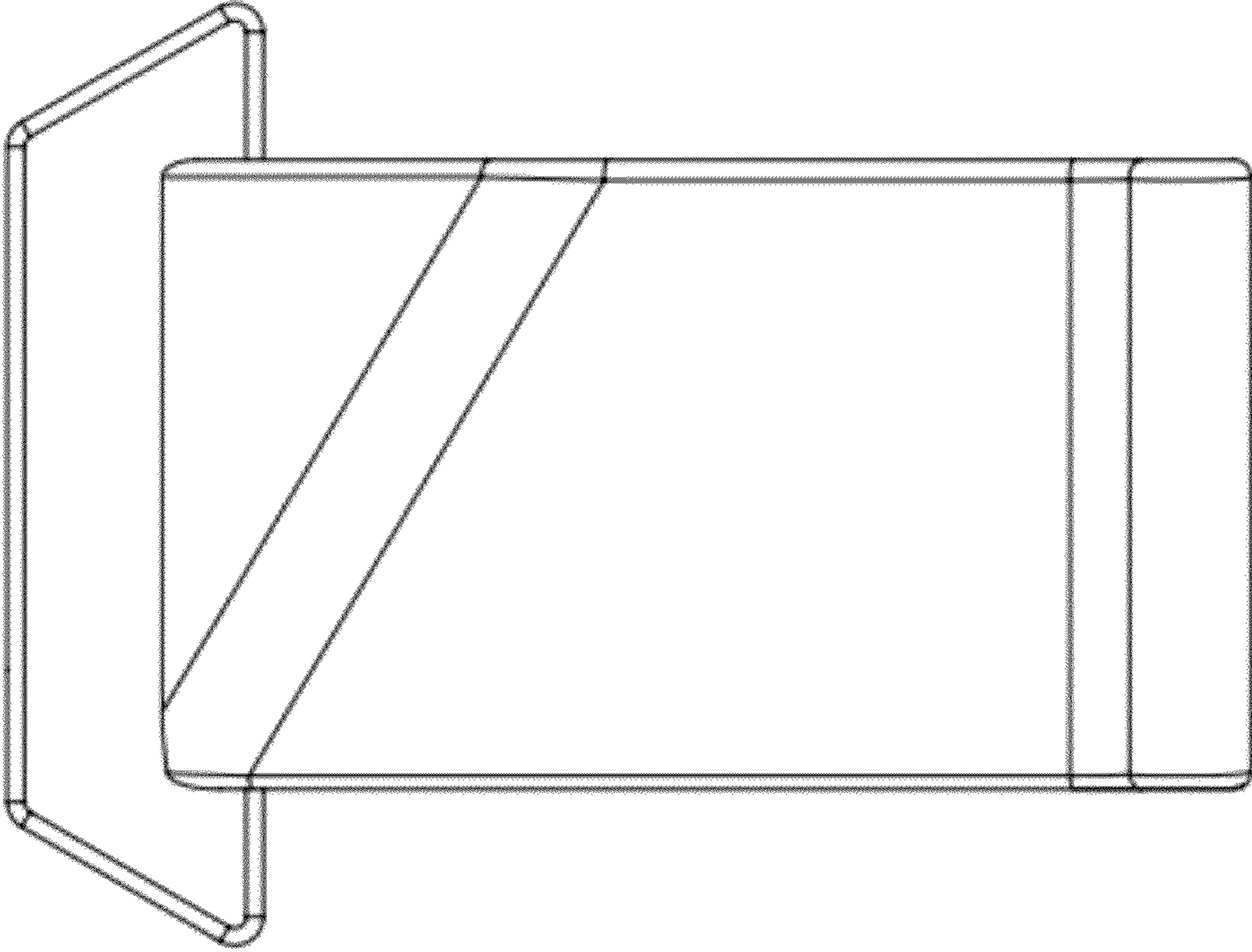


FIGURE 8