



US00D663787S

(12) **United States Design Patent**
Mimlitch, III et al.

(10) **Patent No.:** **US D663,787 S**
(45) **Date of Patent:** **** Jul. 17, 2012**

(54) **LAUNCH PLATFORM COMPONENT FOR
USE WITH A TOY PLAYSET**

(75) Inventors: **Robert H. Mimlitch, III**, Rowlett, TX
(US); **David A. Norman**, Greenville, TX
(US); **Douglas Galletti**, Allen, TX (US);
Joel Carter, Argyle, TX (US); **Gregory
Lavender**, Rockwall, TX (US); **Gregory
Needel**, Rockwall, TX (US);
Christopher Robert Troyak, Plano, TX
(US); **Jeffrey Russell Waegelin**,
Rockwall, TX (US); **Brian Richard
Delaney**, Rockwall, TX (US)

(73) Assignee: **Innovation First International, Inc.**,
Greenville, TX (US)

(**) Term: **14 Years**

(21) Appl. No.: **29/399,671**

(22) Filed: **Aug. 17, 2011**

(51) **LOC (9) Cl.** **21-01**

(52) **U.S. Cl.** **D21/565; D21/506**

(58) **Field of Classification Search** D21/484,
D21/490, 493, 494, 506, 509, 564, 565, 814,
D21/818; 446/168-174, 84, 89, 108, 112,
446/114, 116, 124-128, 429, 444-447; 463/58-69;
238/10 R, 10 A-10 C, 10 E, 10 F; 104/60,
104/69

See application file for complete search history.

(56) **References Cited**

U.S. PATENT DOCUMENTS

3,480,210	A	*	11/1969	Roger	238/10 R
D261,292	S	*	10/1981	Tong	D21/565
D285,325	S	*	8/1986	Berggreen	D21/493
D297,851	S	*	9/1988	Schroll	D21/565
4,932,917	A	*	6/1990	Klitsner	463/69
5,779,145	A	*	7/1998	Zelle et al.	238/10 E
D438,280	S	*	2/2001	Robertson et al.	D21/818
D640,330	S	*	6/2011	Beauregard et al.	D21/565
D645,913	S	*	9/2011	Beauregard et al.	D21/565

* cited by examiner

Primary Examiner — Cynthia M Chin

(74) *Attorney, Agent, or Firm* — Adam K. Sacharoff

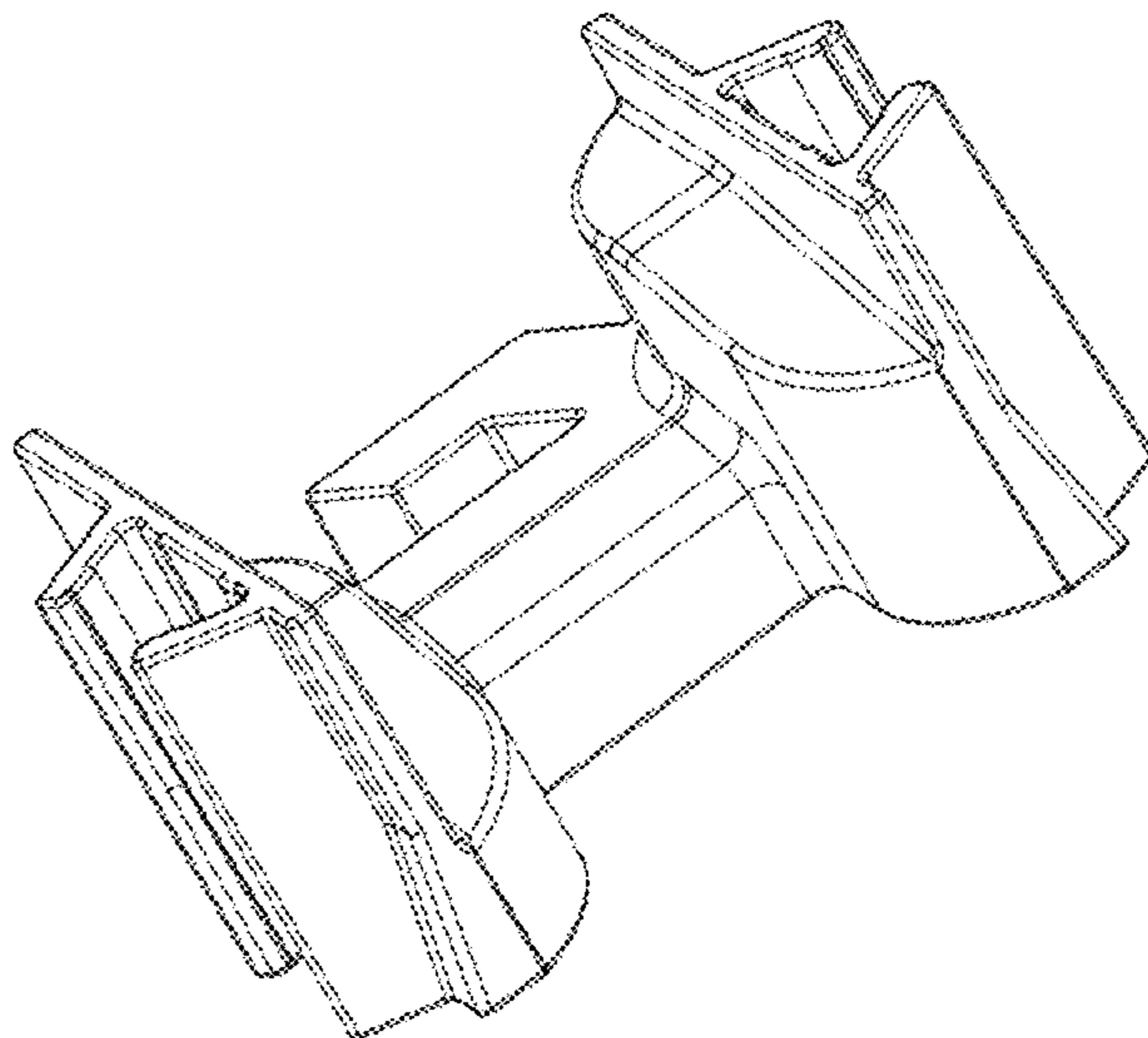
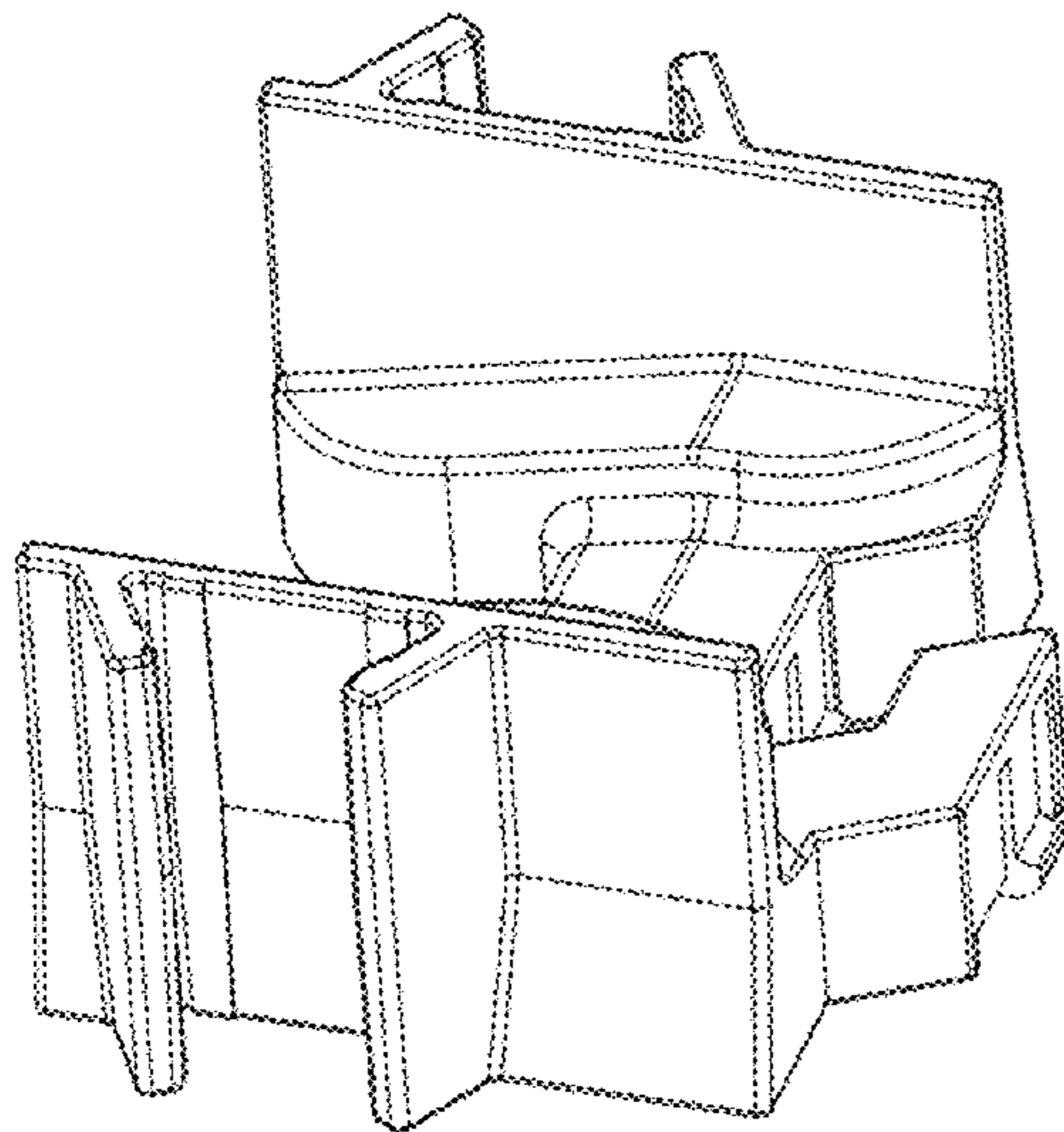
(57) **CLAIM**

The ornamental design for a launch platform component for use with a toy playset, as shown and described.

DESCRIPTION

FIG. 1 is a top side perspective view showing the launch platform component for use with a toy playset; FIG. 2 is a top back side perspective of FIG. 1; FIG. 3 is a top front side perspective of FIG. 1; FIG. 4 is a bottom front perspective view of FIG. 1; FIG. 5 is a top side view of FIG. 1; FIG. 6 is a bottom side view of FIG. 1; FIG. 7 is a front side view of FIG. 1; FIG. 8 is a left side view of FIG. 1; FIG. 9 is a back side view of FIG. 1; and, FIG. 10 is a right side view of FIG. 1.

1 Claim, 10 Drawing Sheets



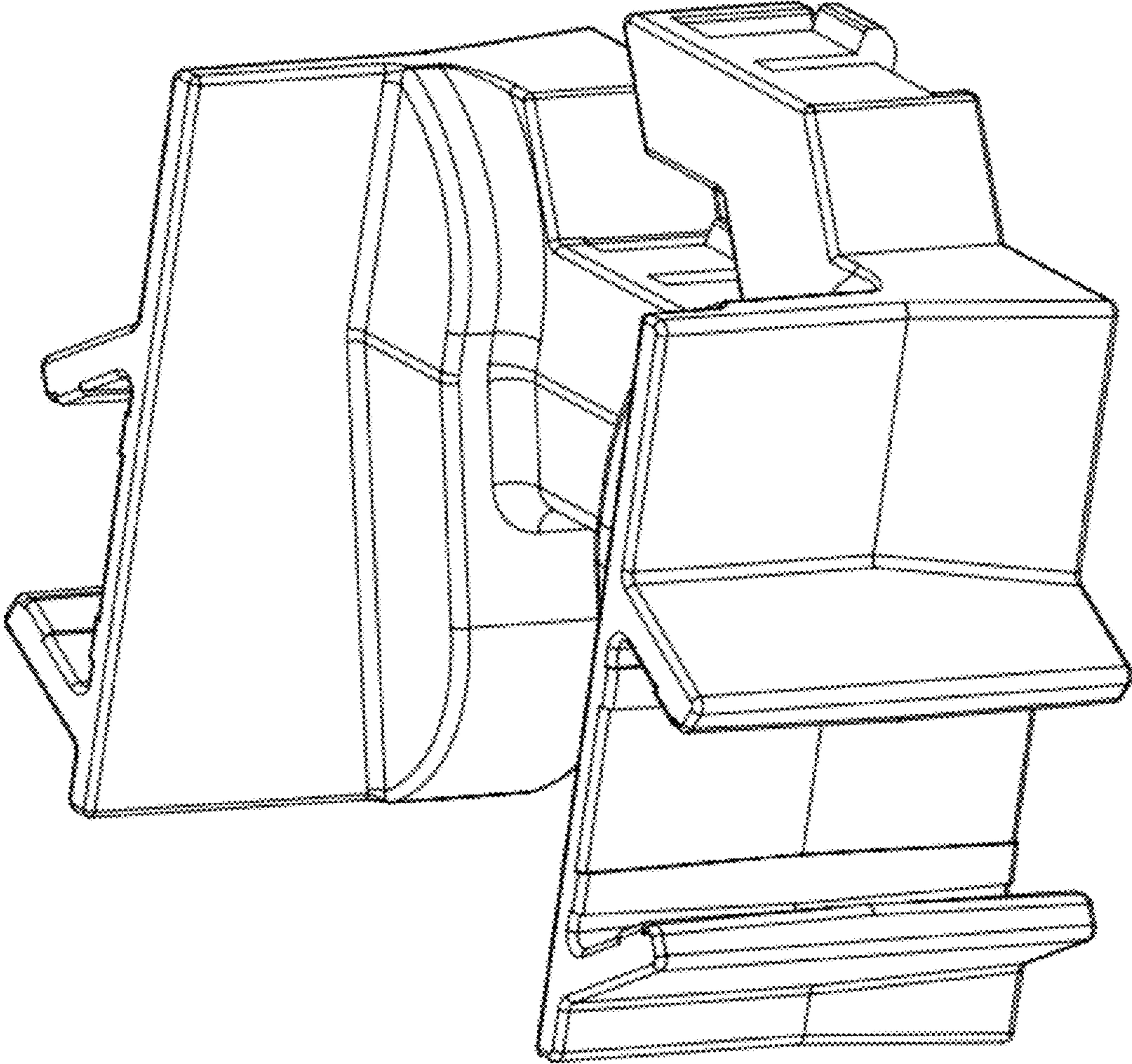


FIGURE 1

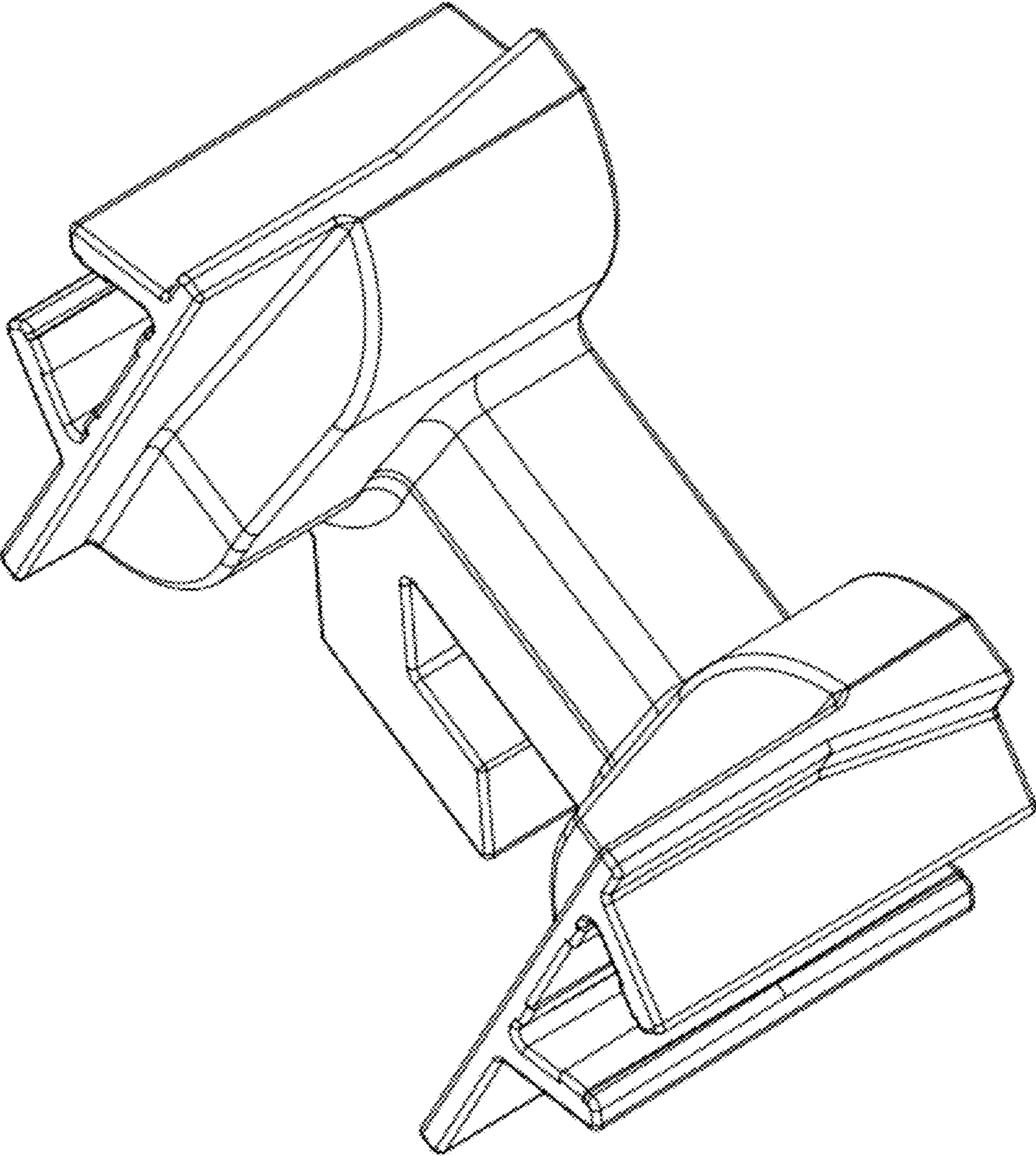


FIGURE 2

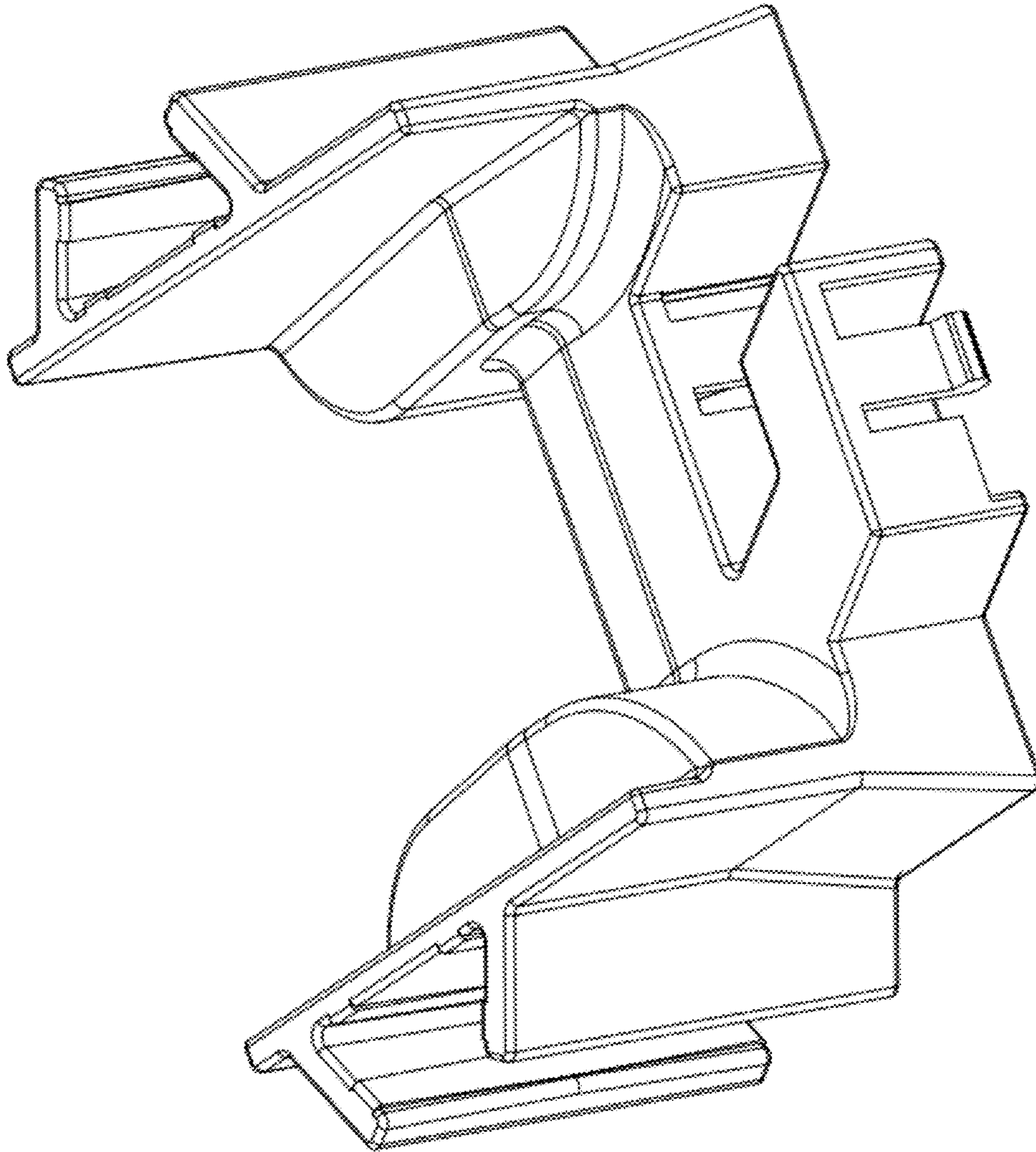


FIGURE 3

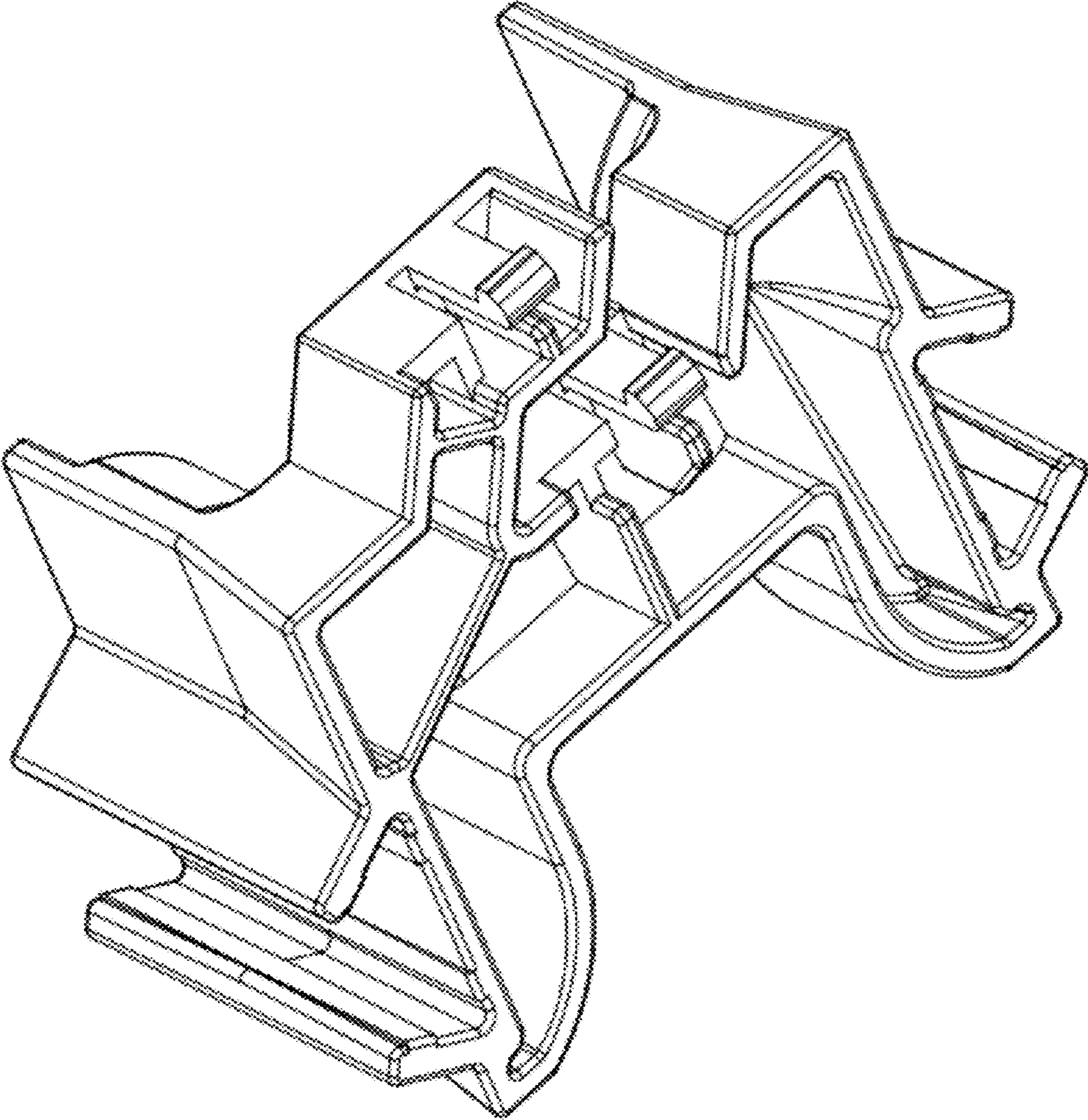


FIGURE 4

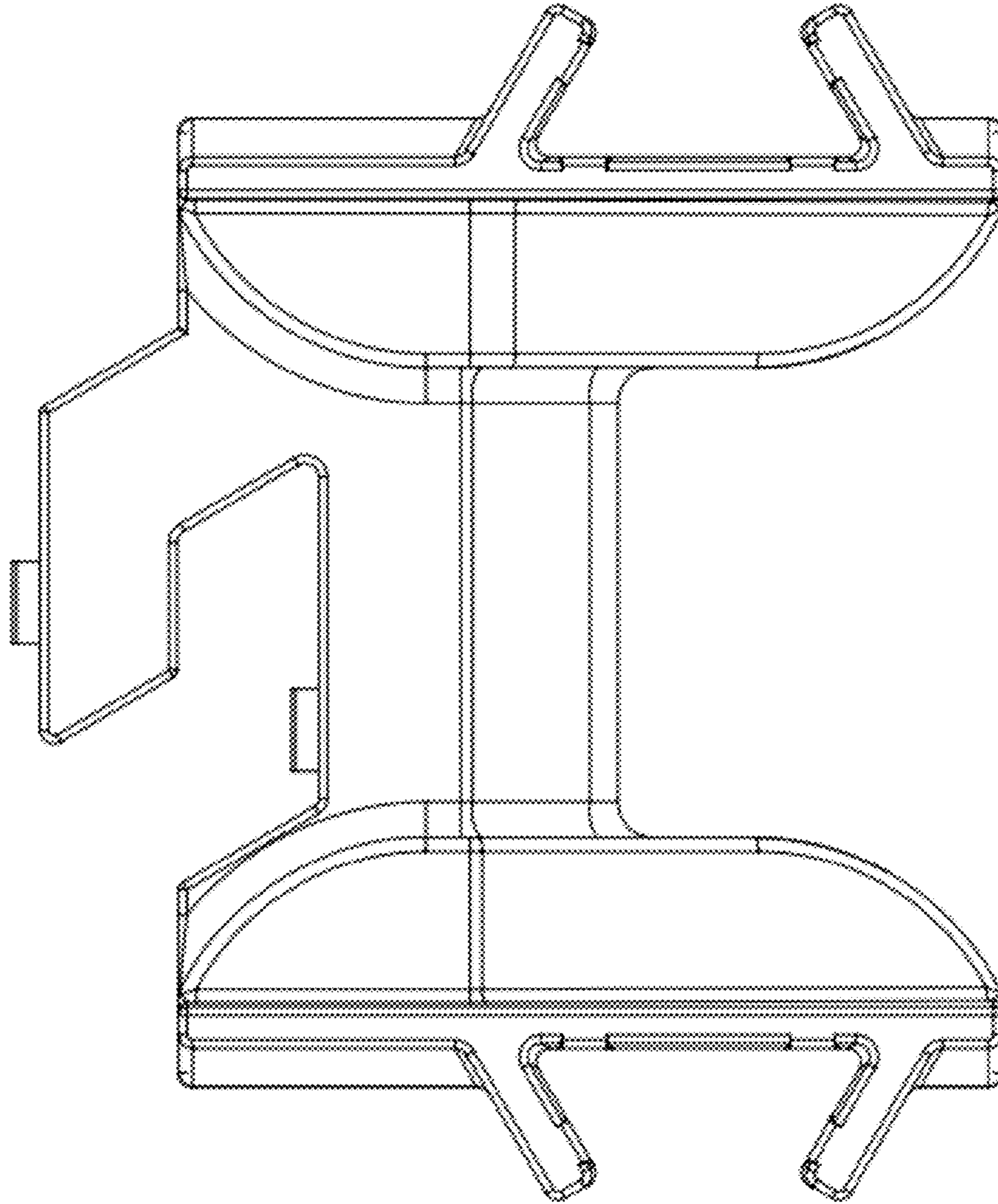


FIGURE 5

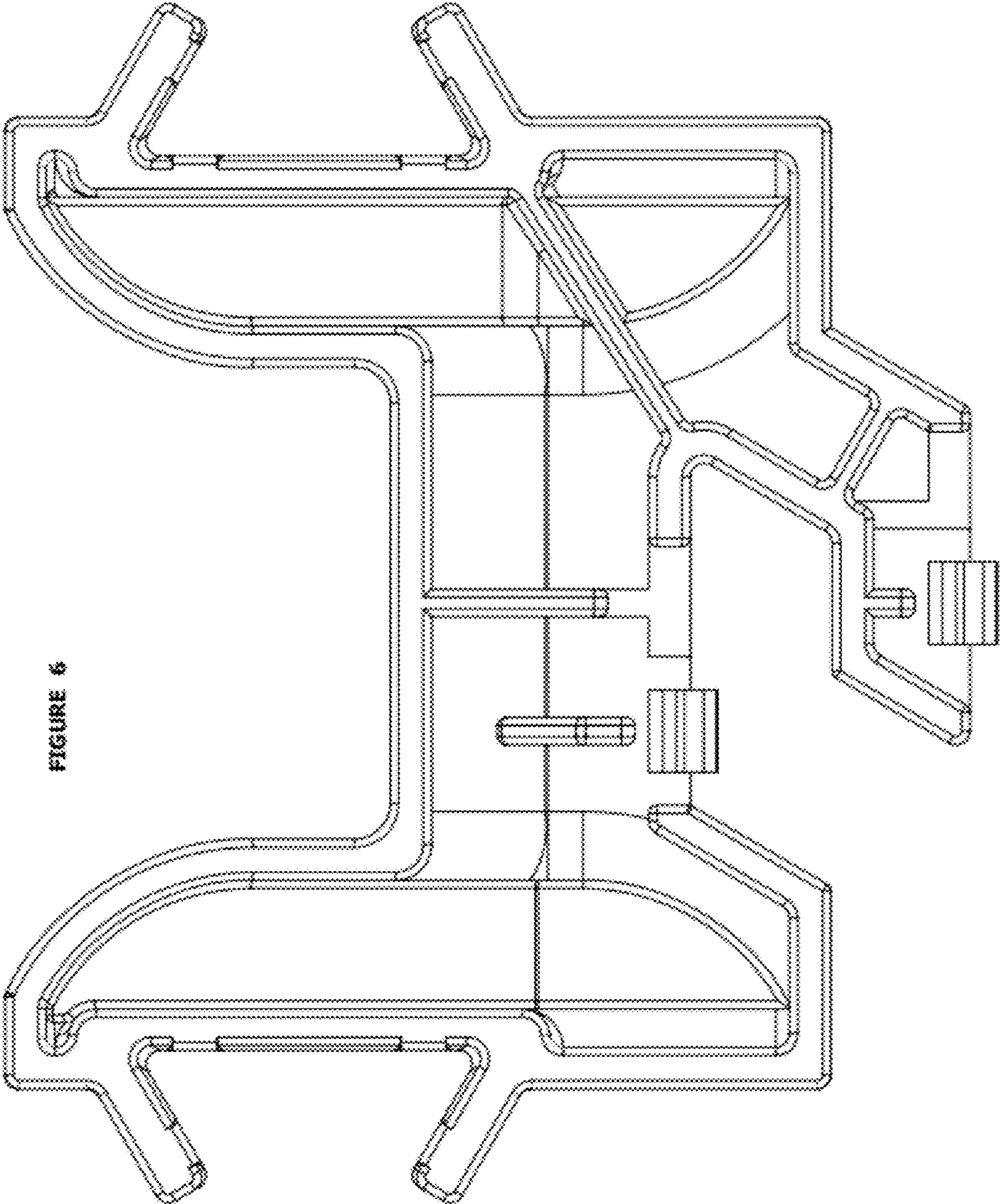


FIGURE 6

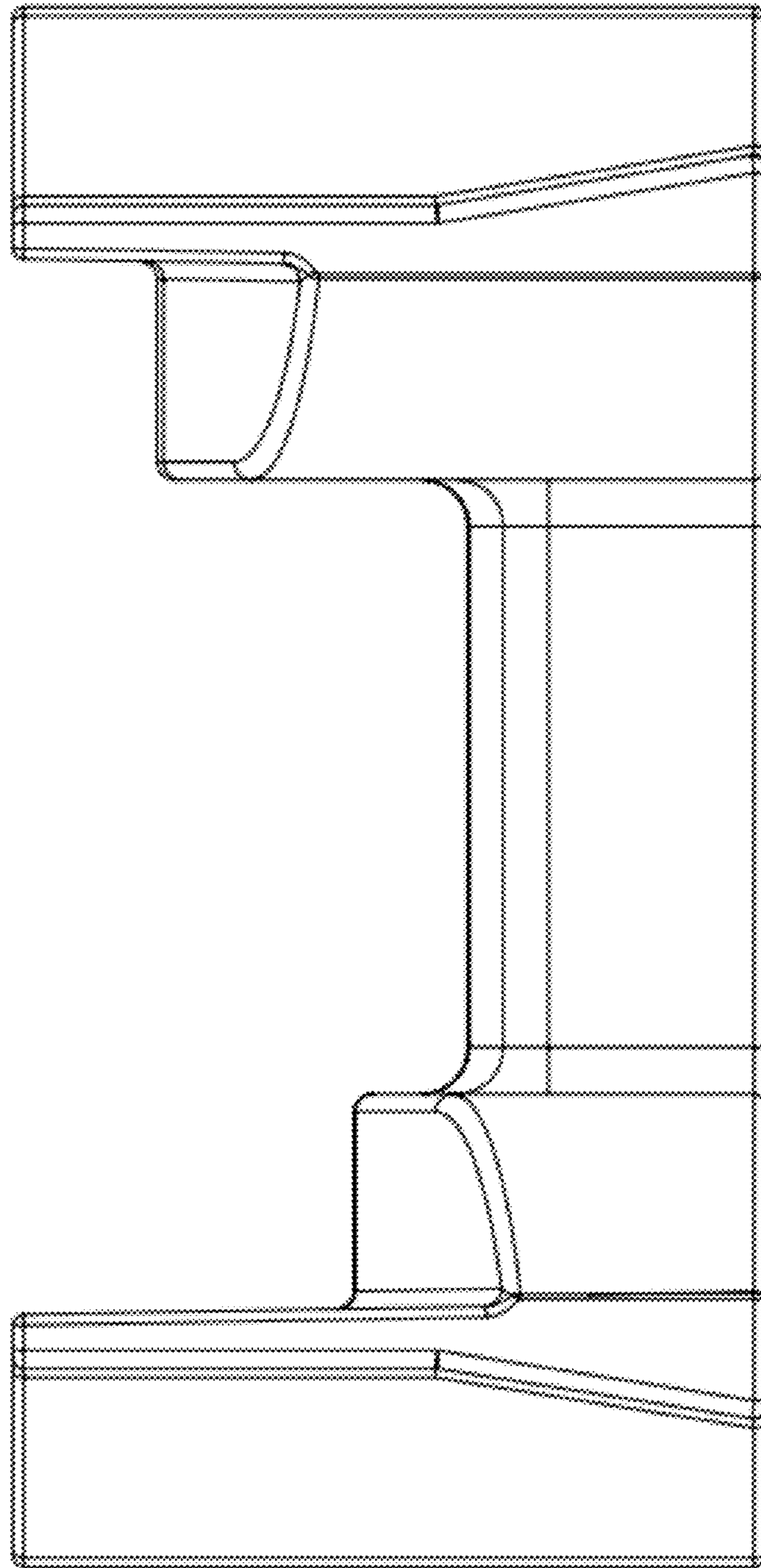


FIGURE 7

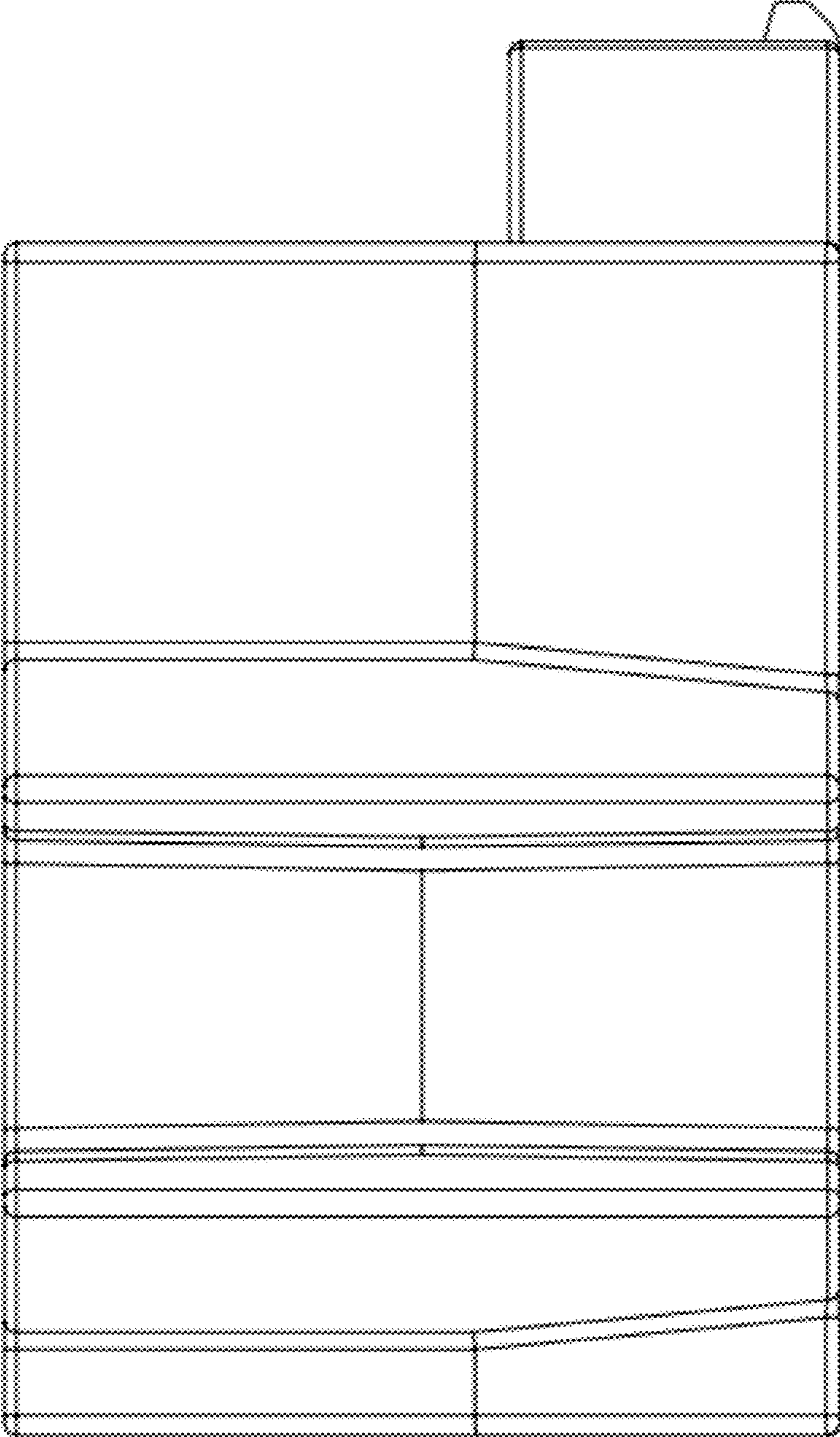


FIGURE 8

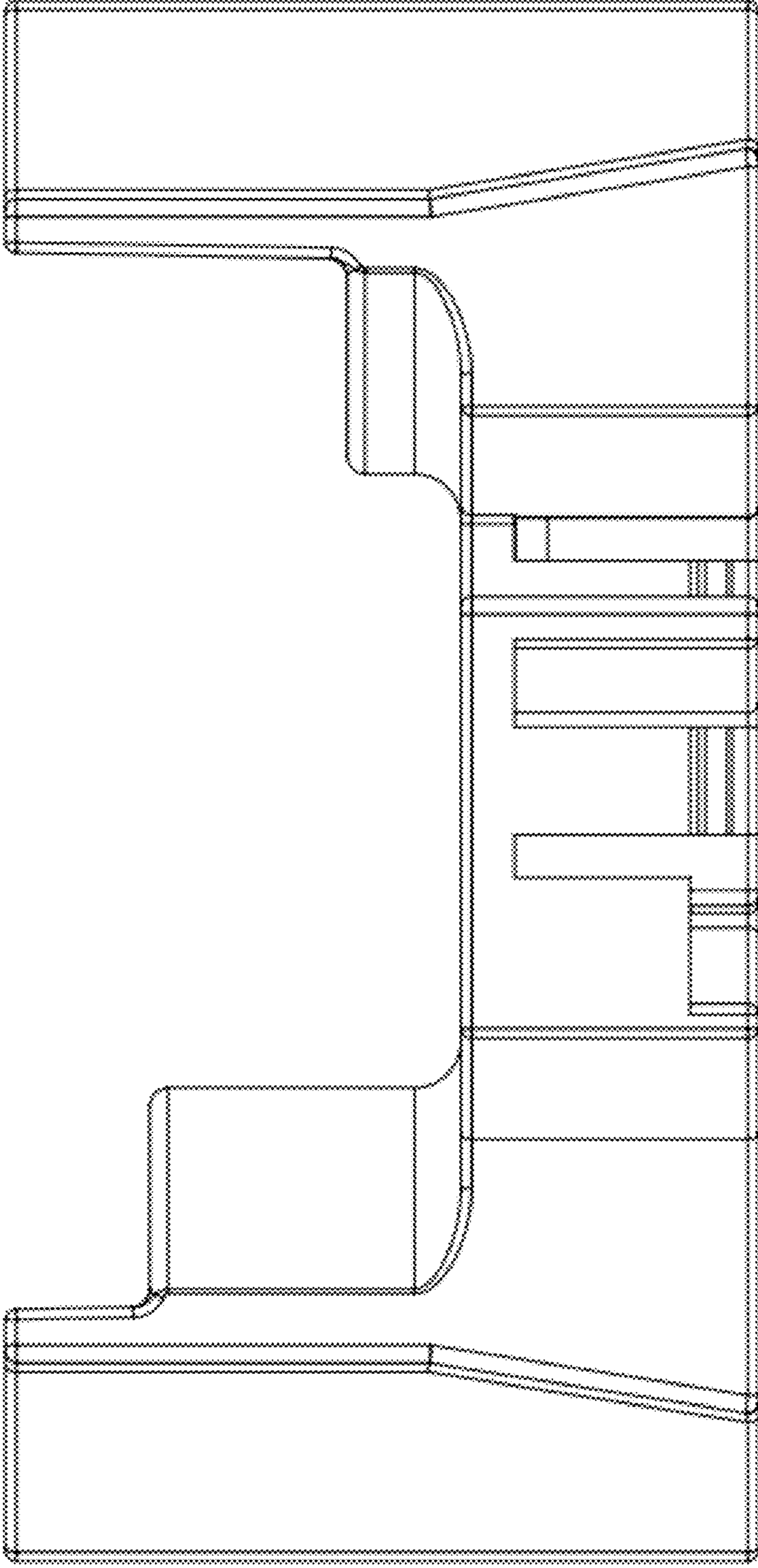


FIGURE 9

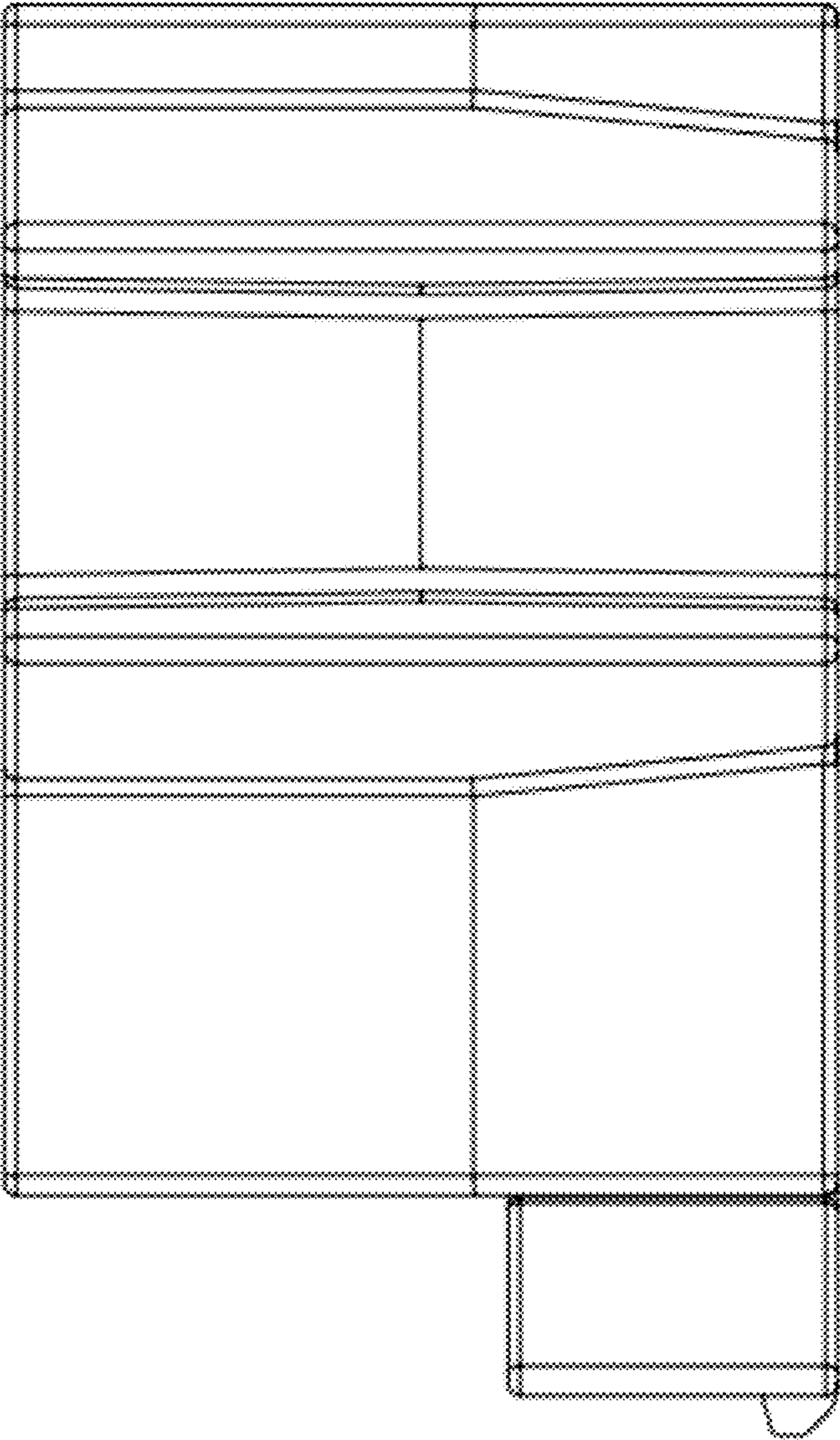


FIGURE 10