

US00D663785S

(12) **United States Design Patent**
Walsh et al.

(10) **Patent No.:** **US D663,785 S**
(45) **Date of Patent:** **** Jul. 17, 2012**

(54) **ELECTRONIC ROULETTE TABLE**

(56) **References Cited**

(75) Inventors: **Sion D. Walsh**, Las Vegas, NV (US);
Russell Caronan, Henderson, NV (US);
Roger M. Snow, Las Vegas, NV (US);
Robert J. Rynda, Henderson, NV (US);
James Roberts, North Las Vegas, NV
(US)

U.S. PATENT DOCUMENTS

4,906,005 A * 3/1990 Manabe 273/142 R
D469,476 S * 1/2003 Porto D21/375
6,659,866 B2 12/2003 Frost et al.
D558,276 S * 12/2007 Damjan et al. D21/375
D579,500 S * 10/2008 Luciano et al. D21/369
7,815,187 B2 * 10/2010 Yokota 273/142 R
D627,007 S * 11/2010 De Viveiros Ortiz D21/369
2010/0016050 A1 1/2010 Snow et al.
2010/0102507 A1 * 4/2010 Bontempo et al. 273/142 R

(73) Assignee: **Shuffle Master, Inc.**, Las Vegas, NV
(US)

* cited by examiner

(**) Term: **14 Years**

Primary Examiner — Sandra Morris

(21) Appl. No.: **29/378,486**

(74) *Attorney, Agent, or Firm* — TraskBritt

(22) Filed: **Nov. 4, 2010**

(57) **CLAIM**

(51) **LOC (9) Cl.** **21-03**

The ornamental design for an electronic roulette table, as shown and described.

(52) **U.S. Cl.** **D21/375**

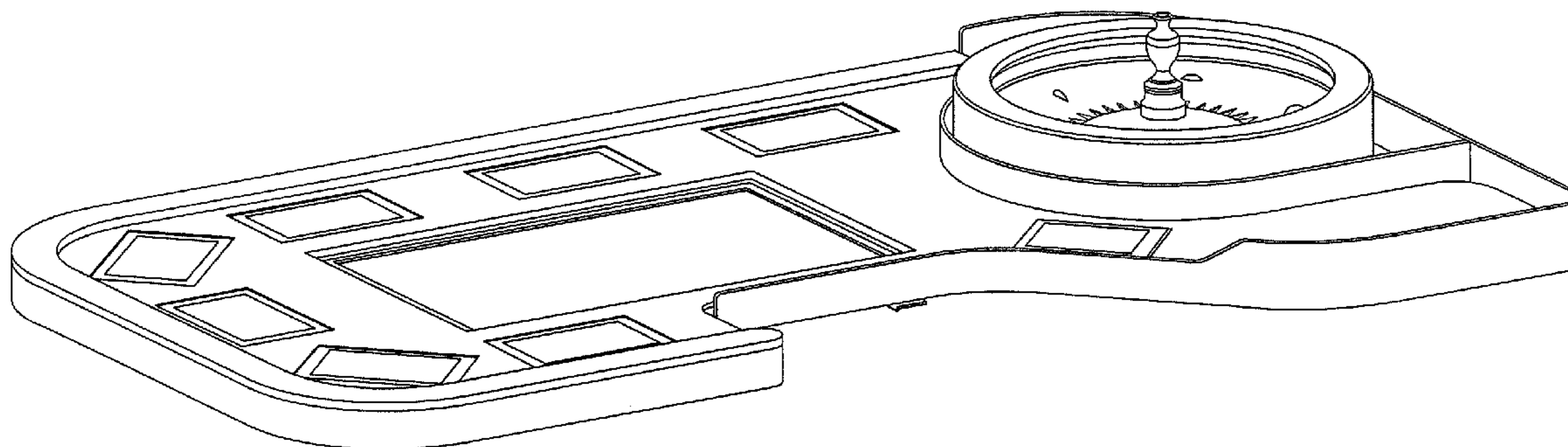
(58) **Field of Classification Search** D21/369–370,
D21/372, 375, 385, 397; 273/138.1, 139,
273/142 R

DESCRIPTION

FIG. 1 is a side perspective view of an electronic roulette table, showing our new design;
FIG. 2 is a side perspective view thereof, with the spindle shown removed;
FIG. 3 is a top plan view of FIG. 1; and,
FIG. 4 is a top plan view of FIG. 2.

See application file for complete search history.

1 Claim, 4 Drawing Sheets



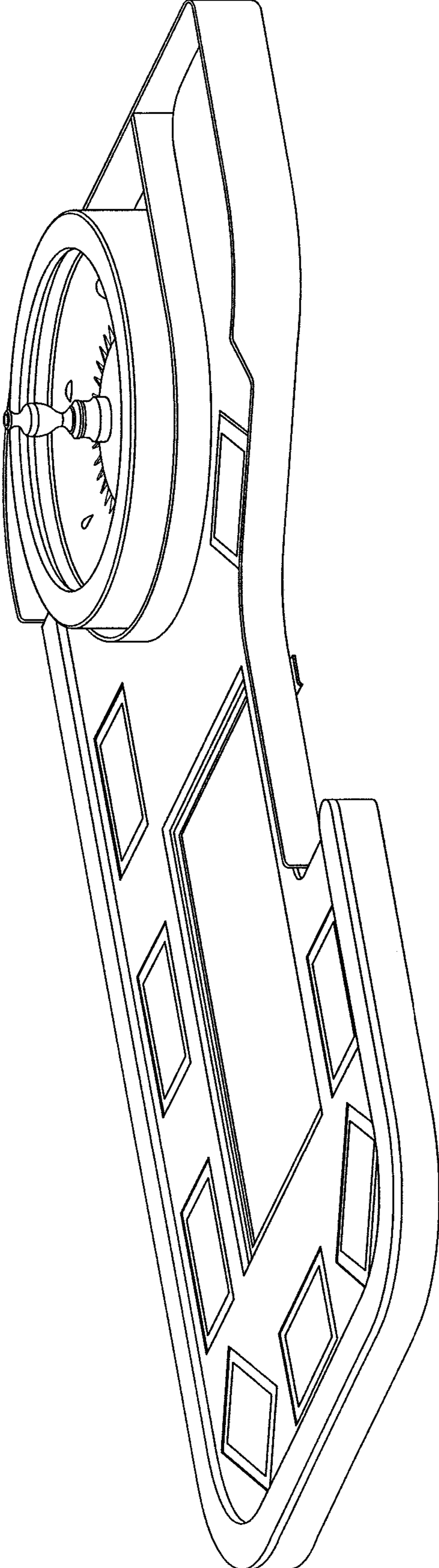


FIG. 1

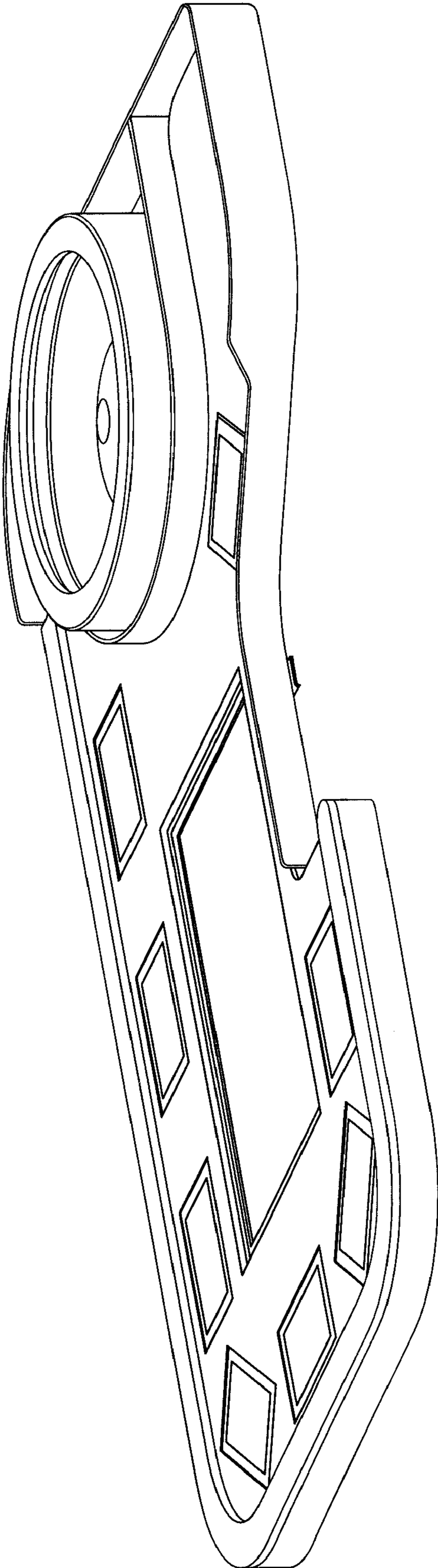


FIG. 2

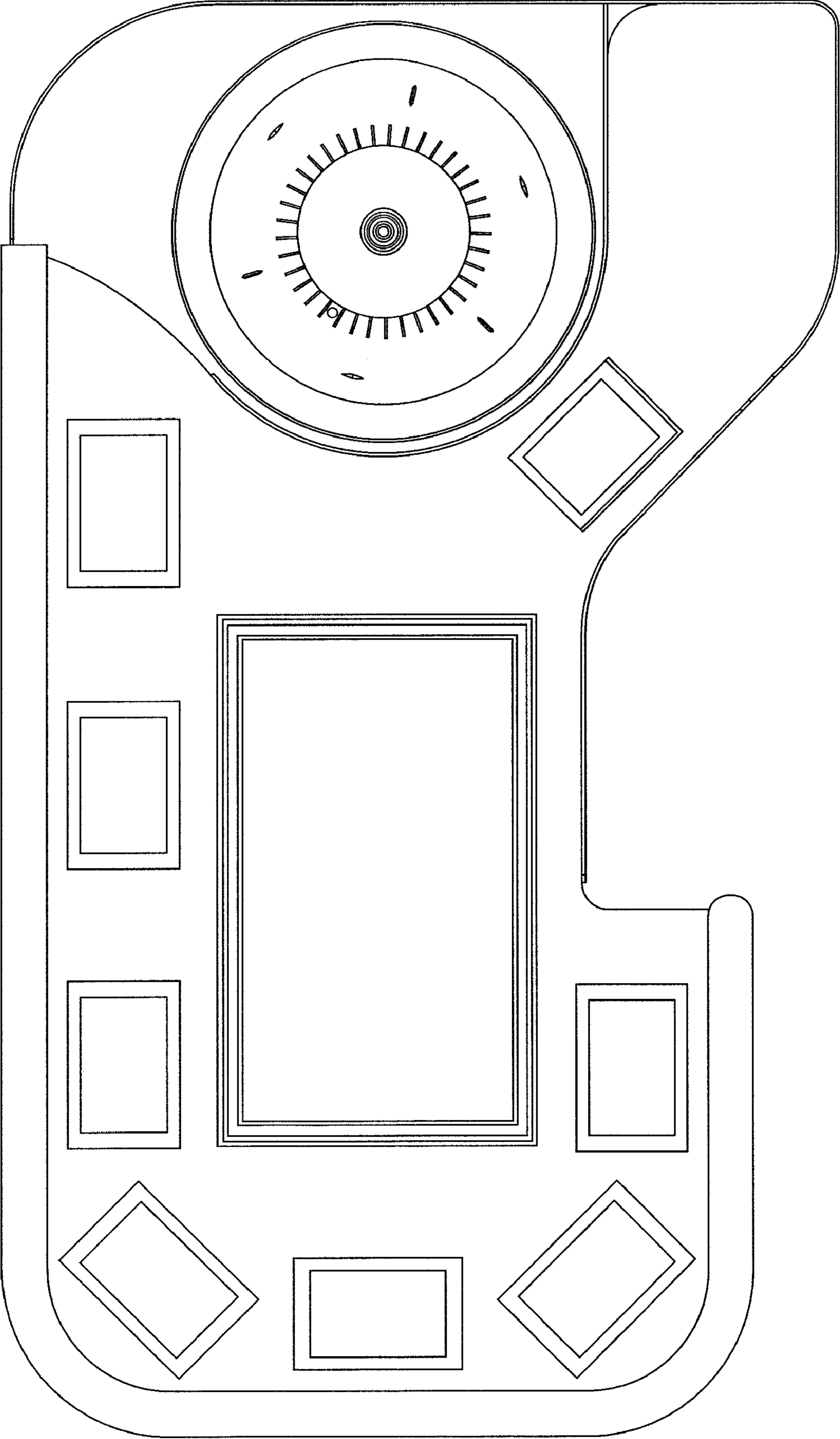


FIG. 3

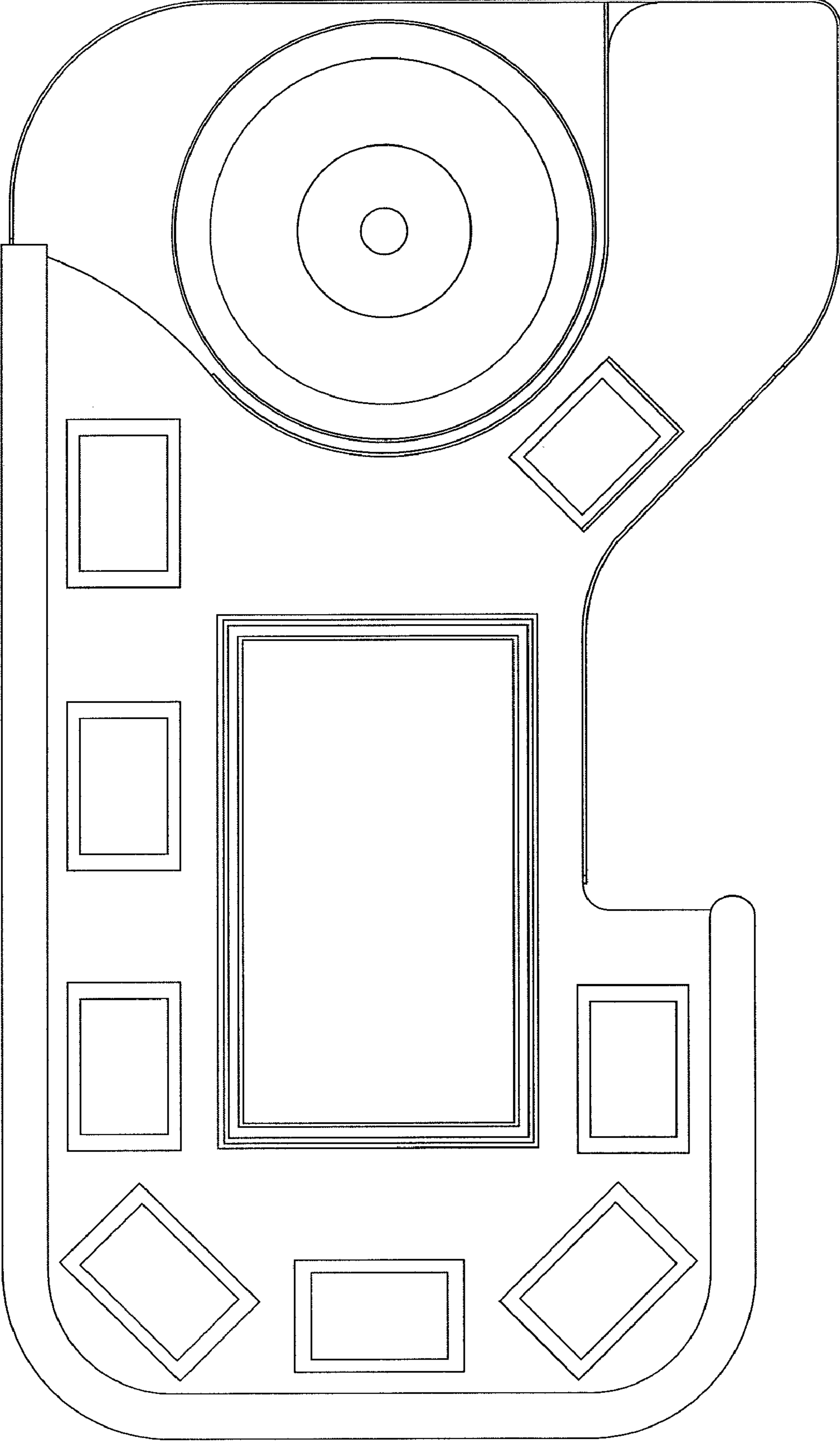


FIG. 4