



US00D663780S

(12) **United States Design Patent**  
**Mingo et al.**

(10) **Patent No.:** **US D663,780 S**  
(45) **Date of Patent:** **\*\* Jul. 17, 2012**

(54) **TAG AND LANYARD ASSEMBLY**  
(75) Inventors: **Malachy A. Mingo**, St. Paul, MN (US);  
**David L. Williams**, Prescott, WI (US)  
(73) Assignee: **Travel Tags, Inc.**, North Mankato, MN  
(US)

7,774,969	B1 *	8/2010	Silverman	40/661
7,892,371	B2 *	2/2011	Gandel et al.	156/60
7,987,989	B2 *	8/2011	Abell	206/777
2001/0022446	A1 *	9/2001	Klure	283/62
2002/0083744	A1	7/2002	Lai	
2007/0057040	A1	3/2007	Blank et al.	

(\*\*) Term: **14 Years**  
(21) Appl. No.: **29/389,387**

(22) Filed: **Apr. 11, 2011**  
(51) **LOC (9) Cl.** ..... **19-08**  
(52) **U.S. Cl.** ..... **D20/27; D20/19**  
(58) **Field of Classification Search** ..... D20/10,  
D20/11, 15, 19, 22-28, 40, 99; 40/124.01-124.09,  
40/124.11-124.19, 124.191, 299.01, 312,  
40/313, 360, 446, 538, 541, 584, 586, 625-627,  
40/629, 630, 638, 649, 661; D9/715, 722;  
D19/9, 10, 59; 150/147; 206/777; 283/51,  
283/56, 62, 71, 81

See application file for complete search history.

(56) **References Cited**

**U.S. PATENT DOCUMENTS**

3,719,974	A	3/1973	Abrams et al.	
4,631,845	A	12/1986	Samuel et al.	
4,722,376	A *	2/1988	Rhyner	150/147
5,381,617	A	1/1995	Schwartztol et al.	
6,330,758	B1 *	12/2001	Feibelman	40/299.01
6,408,660	B1	6/2002	Lai	
6,715,795	B2 *	4/2004	Klure	283/62
D504,159	S *	4/2005	Best et al.	D20/27
D509,440	S *	9/2005	Thornber et al.	D9/722
6,974,159	B2 *	12/2005	Thompson et al.	283/51
7,032,817	B2	4/2006	Blank	
D532,049	S	11/2006	Ludlow	
D533,220	S *	12/2006	Graves et al.	D19/9
7,281,345	B2	10/2007	Ludlow et al.	
D582,475	S *	12/2008	Guest	D19/10
D591,794	S *	5/2009	Laass	D19/59

**OTHER PUBLICATIONS**

IGH Solutions Luggage Tag, c. 2010, 1 page.  
Disney Tag #1, Jun. 18, 2007, 1 page.  
Disney Tag CR80, May 22, 2007, 1 page.  
Disney Tag CR80 2, May 22, 2007, 1 page.  
Disney Luggage Tag, May 22, 2007, 1 page.  
Disney Luggage Tag 2, May 23, 2007, 1 page.  
Disney Luggage Tag 3, May 25, 2007, 1 page.  
Disney Luggage Tag 4, c. 2007, 1 page.

\* cited by examiner

*Primary Examiner* — Mary Ann Calabrese

(74) *Attorney, Agent, or Firm* — Patterson Thuent  
Christensen Pedersen, P.A.

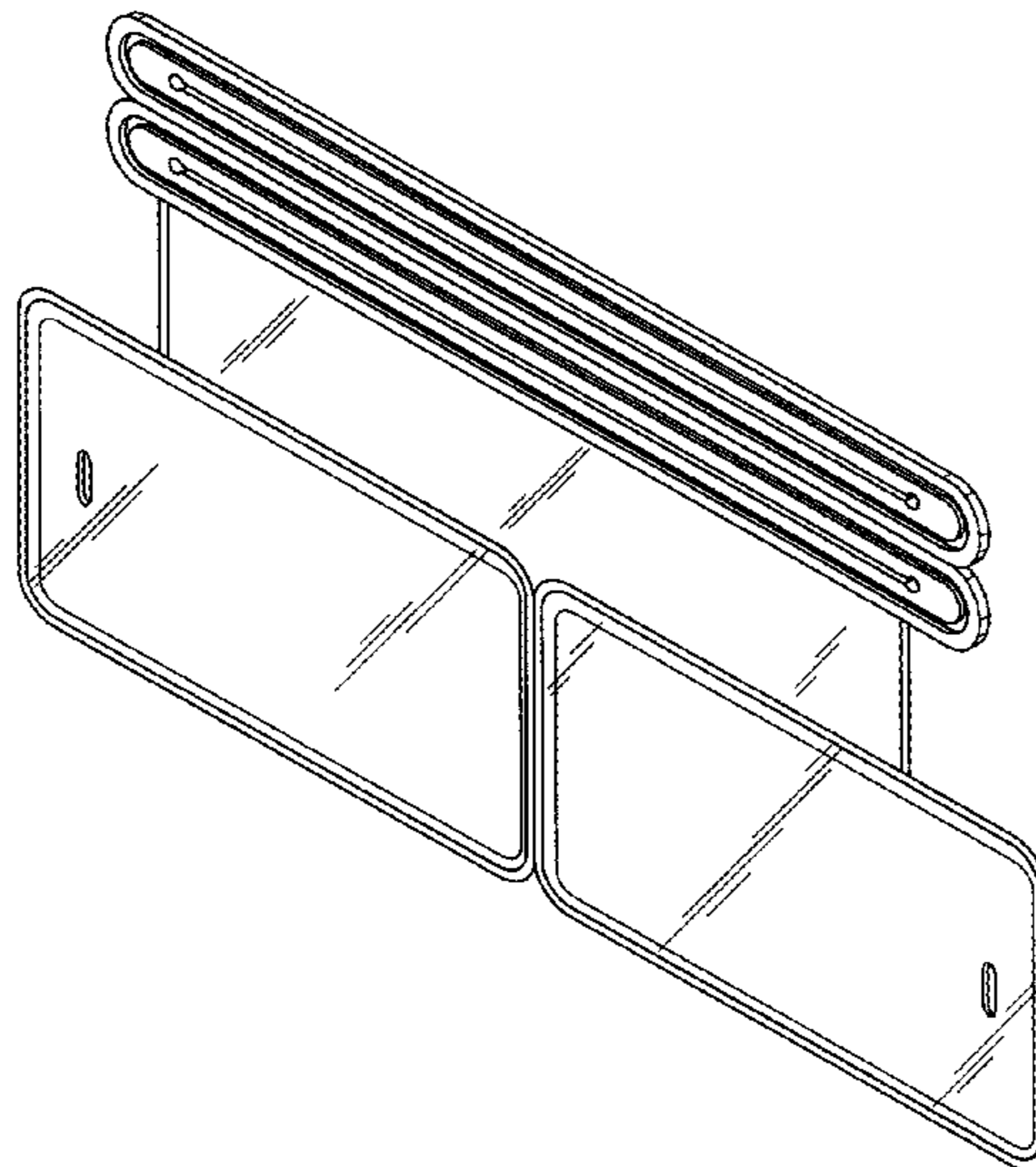
(57) **CLAIM**

We claim the ornamental design for tag and lanyard assembly,  
as shown.

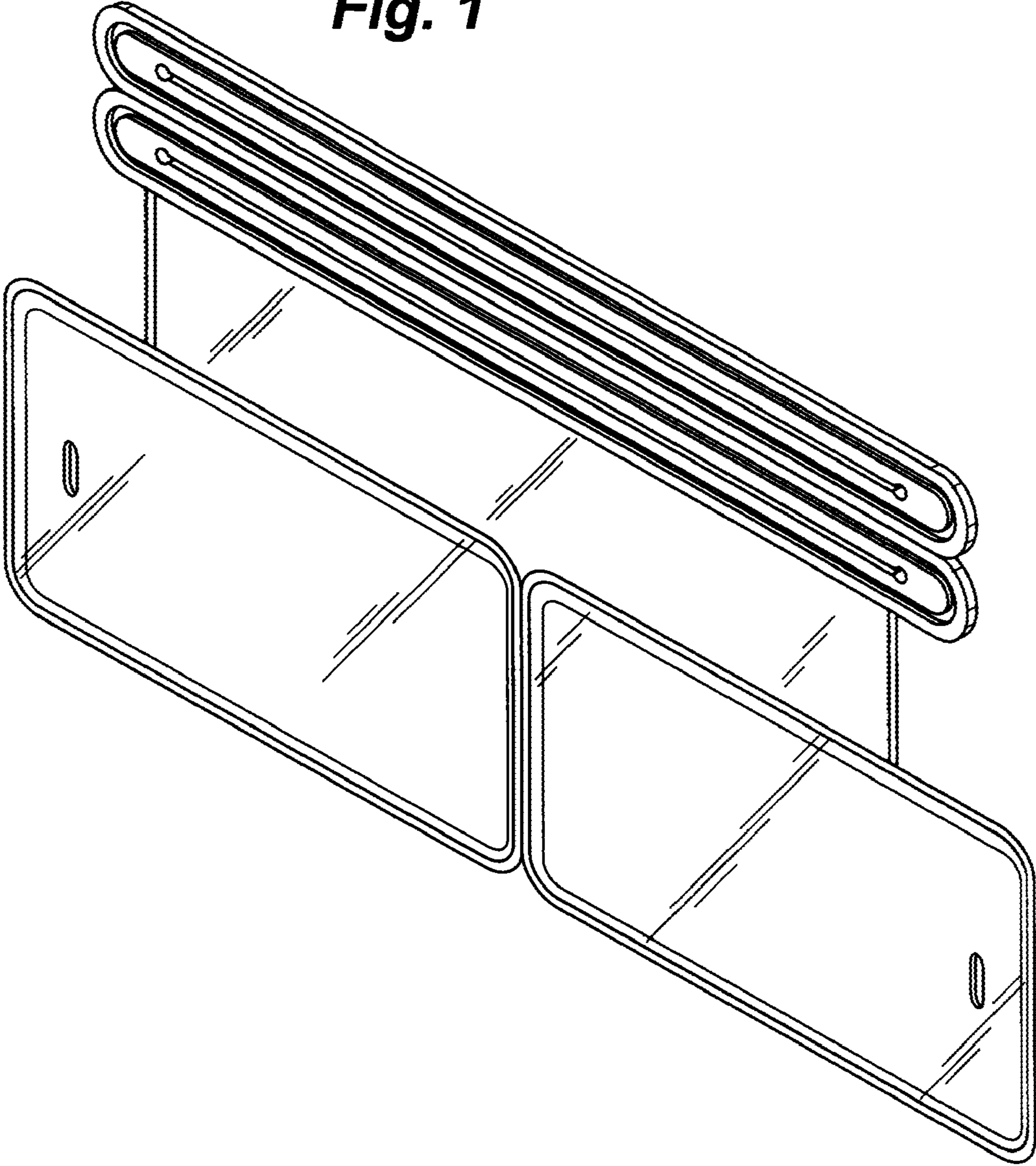
**DESCRIPTION**

FIG. 1 is a front perspective view of a tag and lanyard assembly according to an embodiment of the invention;  
FIG. 2 is a rear perspective view of the tag and lanyard assembly according to FIG. 1;  
FIG. 3 is a front perspective view of a tag and lanyard assembly according to an embodiment of the invention;  
FIG. 4 is a rear perspective view of the tag and lanyard assembly according to FIG. 3;  
FIG. 5 is a front perspective view of a tag and lanyard assembly according to an embodiment of the invention; and,  
FIG. 6 is a rear perspective view of the tag and lanyard assembly according to FIG. 5.

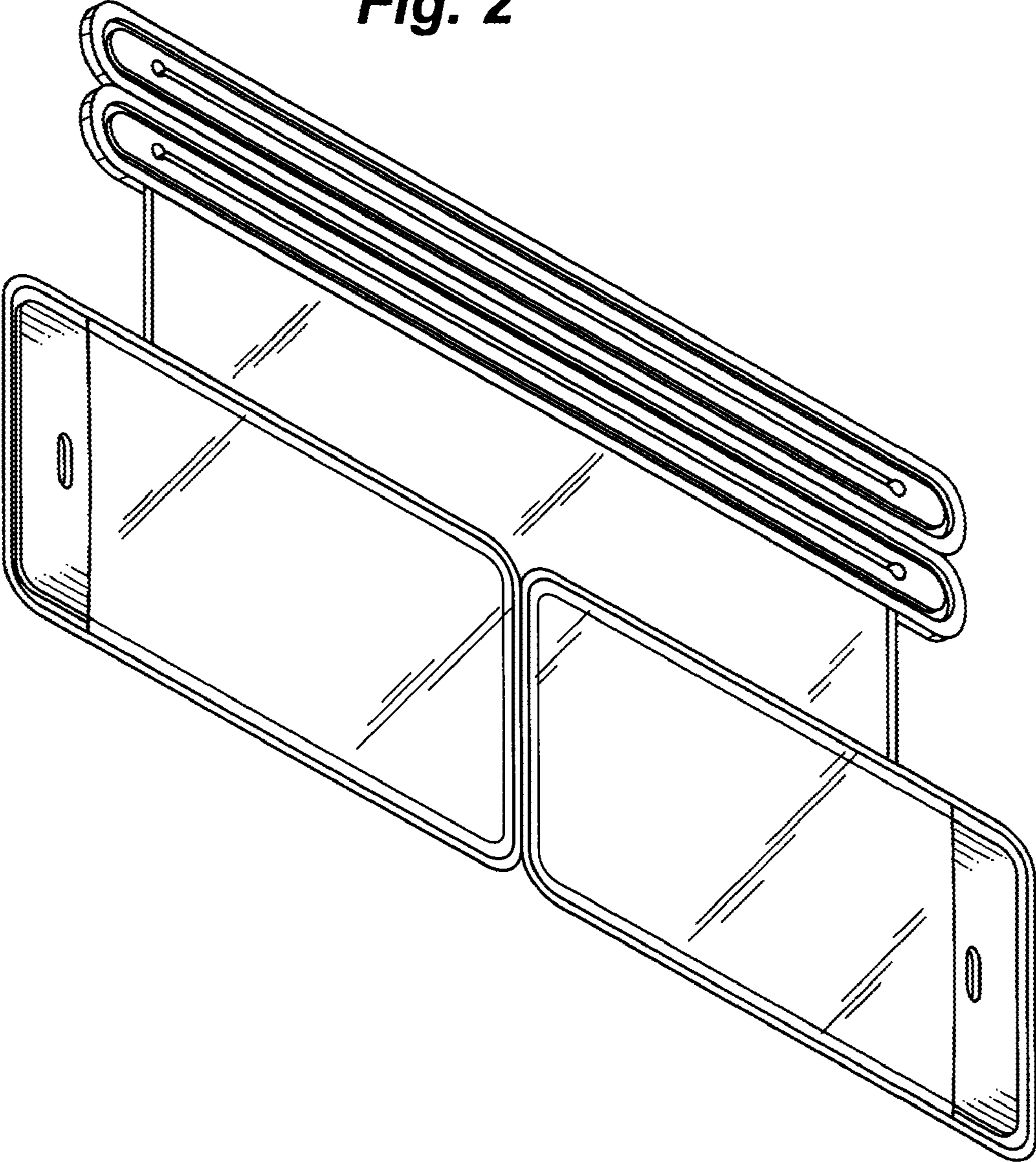
**1 Claim, 6 Drawing Sheets**



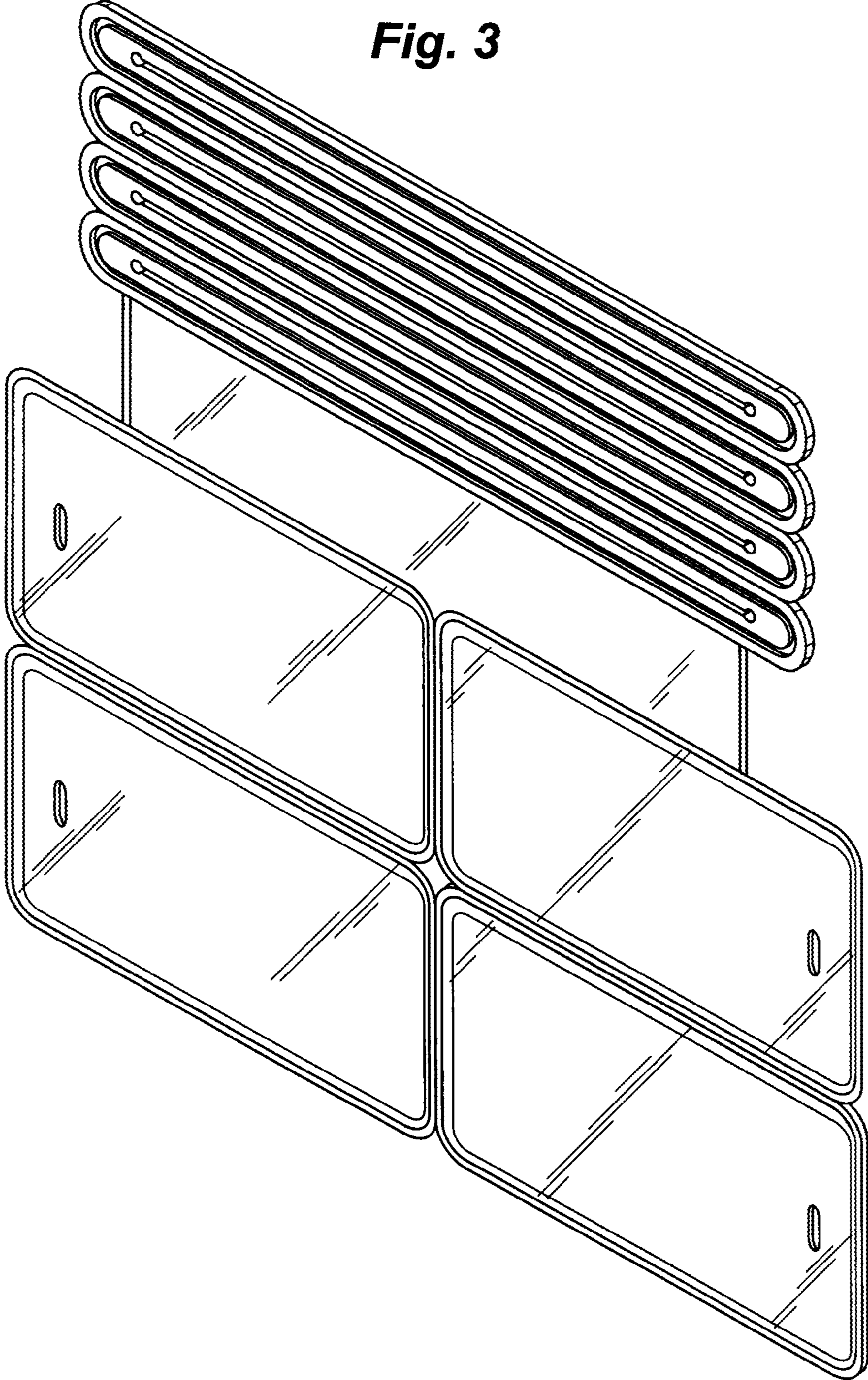
**Fig. 1**



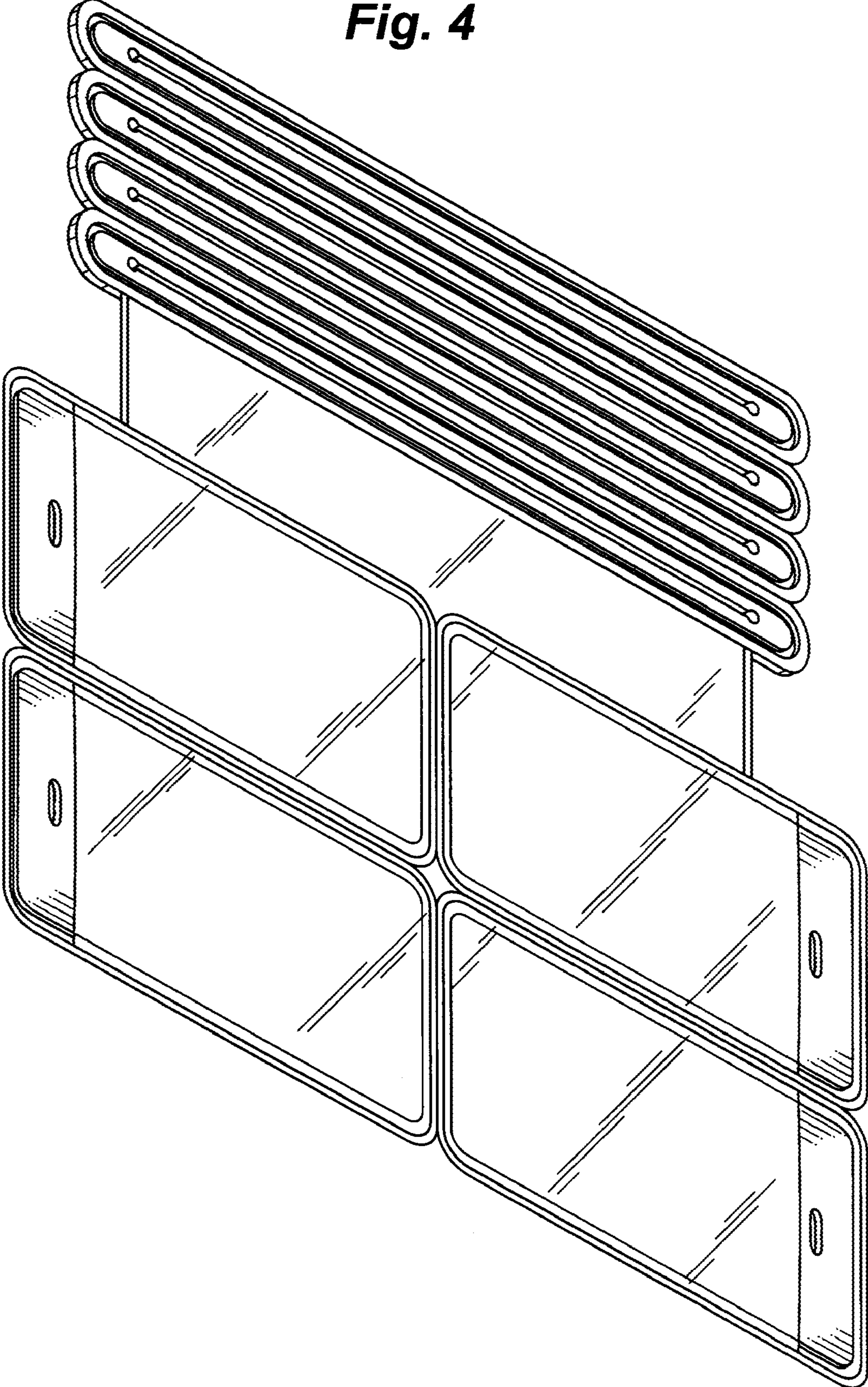
**Fig. 2**



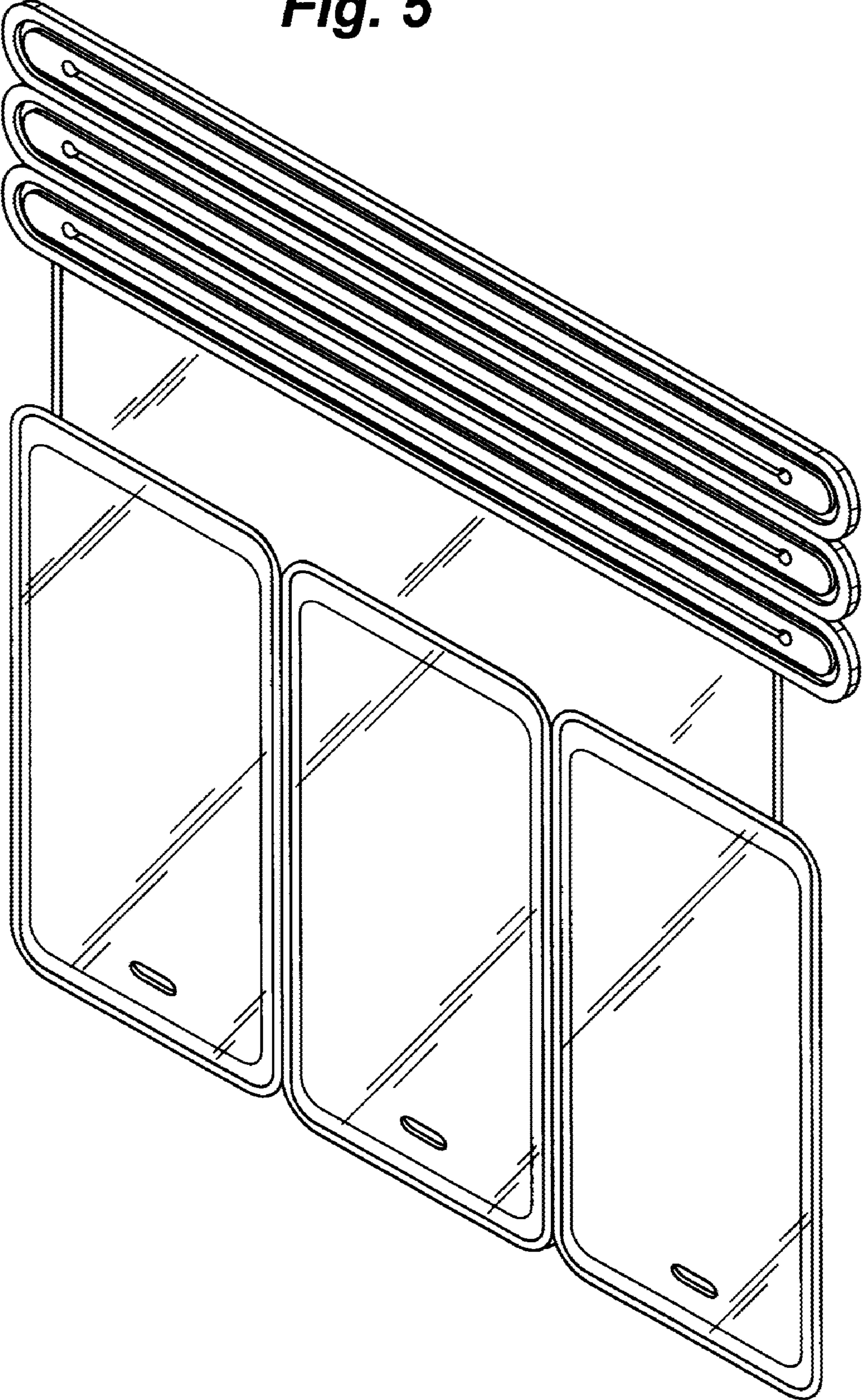
**Fig. 3**



**Fig. 4**



**Fig. 5**



**Fig. 6**

