



US00D663779S

(12) **United States Design Patent**
Lueken

(10) **Patent No.:** **US D663,779 S**
(45) **Date of Patent:** **** *Jul. 17, 2012**

(54) **PAIR OF ADVERTISING PANELS AFFIXED TO THE ENTRY PORTION OF A SHOPPING CART CORRAL**

(75) Inventor: **Harold Lueken**, New York, NY (US)

(73) Assignee: **Starlite Media, LLC**, New York, NY (US)

(*) Notice: This patent is subject to a terminal disclaimer.

(**) Term: **14 Years**

(21) Appl. No.: **29/399,024**

(22) Filed: **Aug. 8, 2011**

Related U.S. Application Data

(63) Continuation-in-part of application No. 29/357,739, filed on Mar. 16, 2010, now abandoned.

(51) **LOC (9) Cl.** **20-03**

(52) **U.S. Cl.** **D20/19**

(58) **Field of Classification Search** D20/10, D20/19, 39-42, 99; 40/446, 538, 541, 542, 40/584, 585; D10/104.1, 109.1, 109.2; D25/1, D25/18, 22, 199; 52/169.2, 238.1, 239; 135/121; 211/17; 256/1, 25, 59; 362/812

See application file for complete search history.

(56) **References Cited**

U.S. PATENT DOCUMENTS

D31,832 S	11/1899	Marcus	
2,165,724 A	7/1939	Le	
3,323,655 A	6/1967	Foran et al.	
D219,946 S	2/1971	Birnberg	
4,236,697 A *	12/1980	Savino	256/1
4,292,352 A	9/1981	Singer	
D269,978 S	8/1983	Dickson	
4,609,183 A *	9/1986	Ulmer	256/1
D286,074 S	10/1986	Corte	
4,777,750 A	10/1988	Garfinkle	

4,884,353 A	12/1989	Taylor	
4,918,878 A	4/1990	Paschke et al.	
D321,798 S	11/1991	Buckley	
D334,301 S	3/1993	Buckley	
5,201,426 A *	4/1993	Cruwell, Jr.	211/17
5,279,085 A	1/1994	DiPaolo et al.	
D350,038 S	8/1994	Buckley	
D361,448 S	8/1995	Buckley	
5,551,578 A *	9/1996	McCue et al.	211/17
D376,854 S	12/1996	DiPaolo et al.	
5,626,926 A	5/1997	Roberts	
5,862,921 A	1/1999	Venegas	
5,875,578 A	3/1999	Grewe	
5,878,518 A	3/1999	Grewe	
6,298,997 B1 *	10/2001	Jarrett et al.	211/17
6,493,997 B2	12/2002	Cohen	
6,581,616 B1 *	6/2003	Venegas, Jr.	135/121
D488,904 S	4/2004	Unnerstall et al.	
D492,732 S	7/2004	Herbst	
D495,011 S	8/2004	Trubiano	
7,044,446 B2 *	5/2006	Hempen et al.	256/1

(Continued)

Primary Examiner — Mary Ann Calabrese

(74) *Attorney, Agent, or Firm* — Bryan Cave LLP

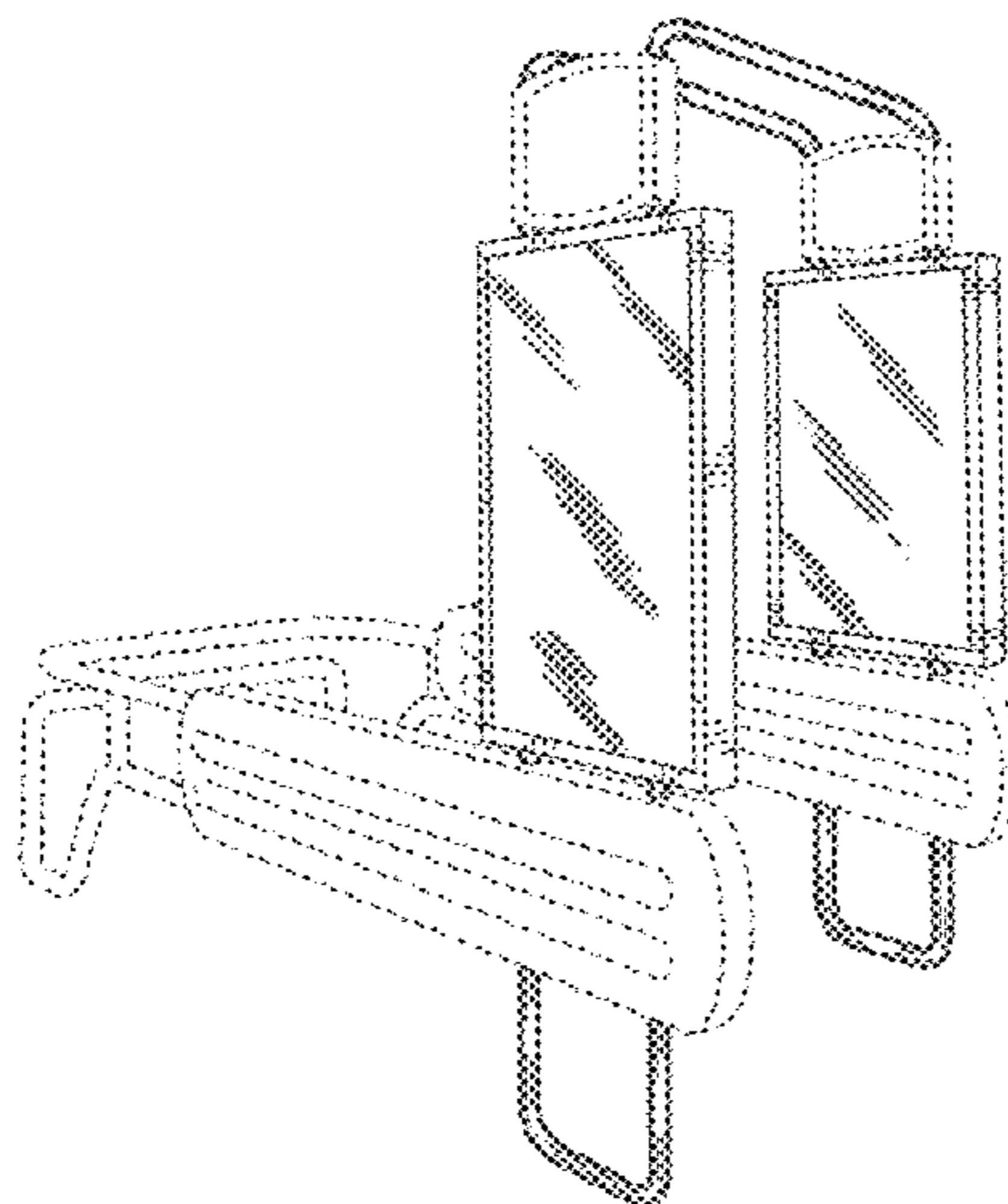
(57) **CLAIM**

The ornamental design for pair of advertising panels affixed to the entry portion of a shopping cart corral, as shown and described.

DESCRIPTION

FIG. 1 is a perspective view of the pair of advertising panels affixed to the entry portion of a shopping cart corral; FIG. 2 is a right side view thereof; FIG. 3 is a left side view thereof; FIG. 4 is a front view thereof; FIG. 5 is a rear view thereof; and, FIG. 6 is a top view thereof. The broken line showings of the shopping cart corral in FIGS. 1-6 are for the purpose of illustrating an environment only and form no part of the claimed design.

1 Claim, 6 Drawing Sheets



US D663,779 S

Page 2

U.S. PATENT DOCUMENTS										
7,140,581	B1	11/2006	White		D620,531	S *	7/2010	Allen	D20/19
D537,952	S	3/2007	Anton		7,895,782	B2	3/2011	Farrell		
D540,472	S *	4/2007	Van Es	D653,709	S *	2/2012	Allen	D20/39
7,210,270	B1	5/2007	King et al		2004/0079934	A1 *	4/2004	Hempen et al.	256/59
7,237,360	B2	7/2007	Moncho et al.		2008/0040962	A1	2/2008	Gurren		
D587,761	S	3/2009	Grimshaw		2008/0120877	A1	5/2008	Farrell		
D615,129	S *	5/2010	Allen	2010/0327245	A1 *	12/2010	Allen	256/25

* cited by examiner

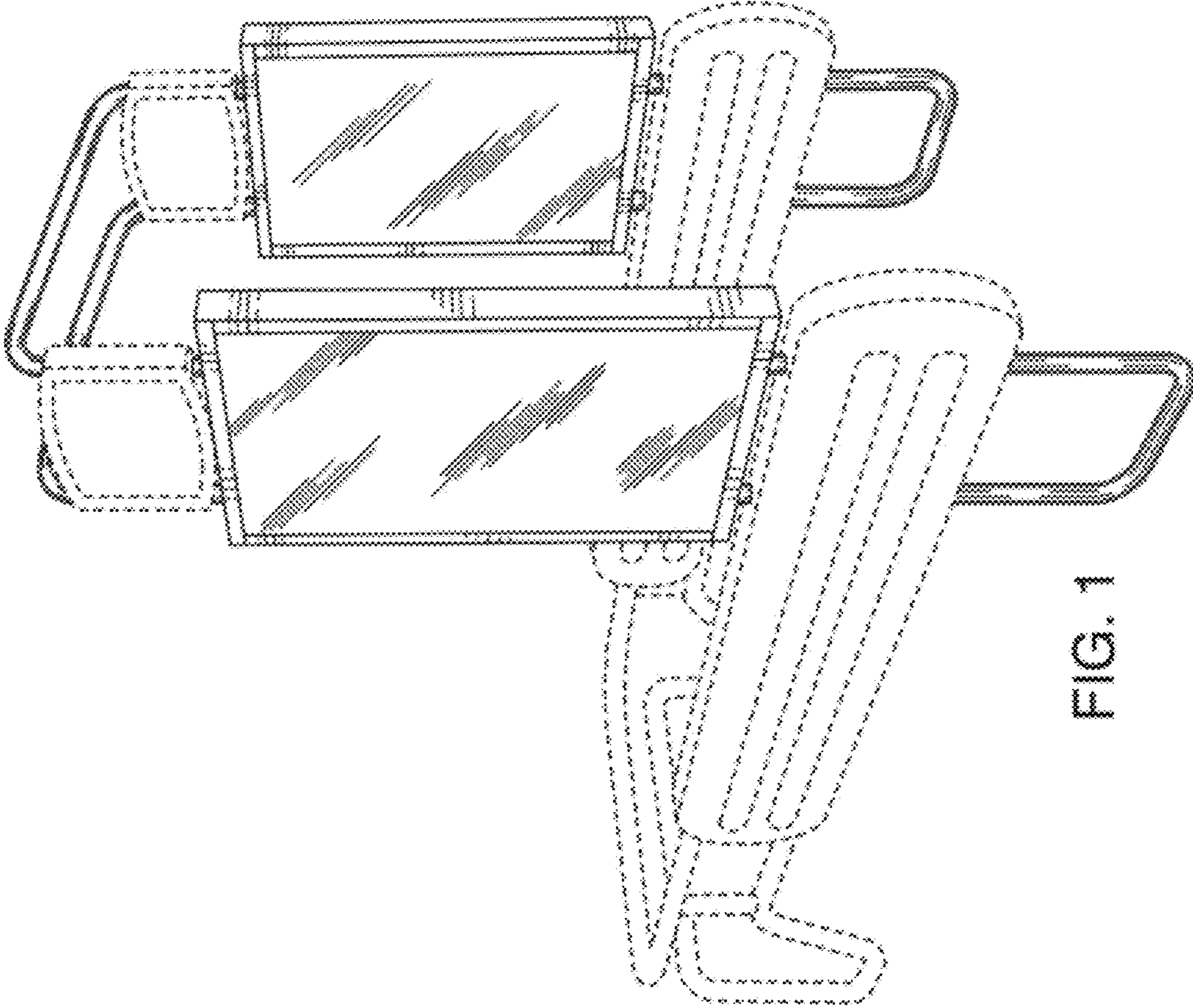


FIG. 1

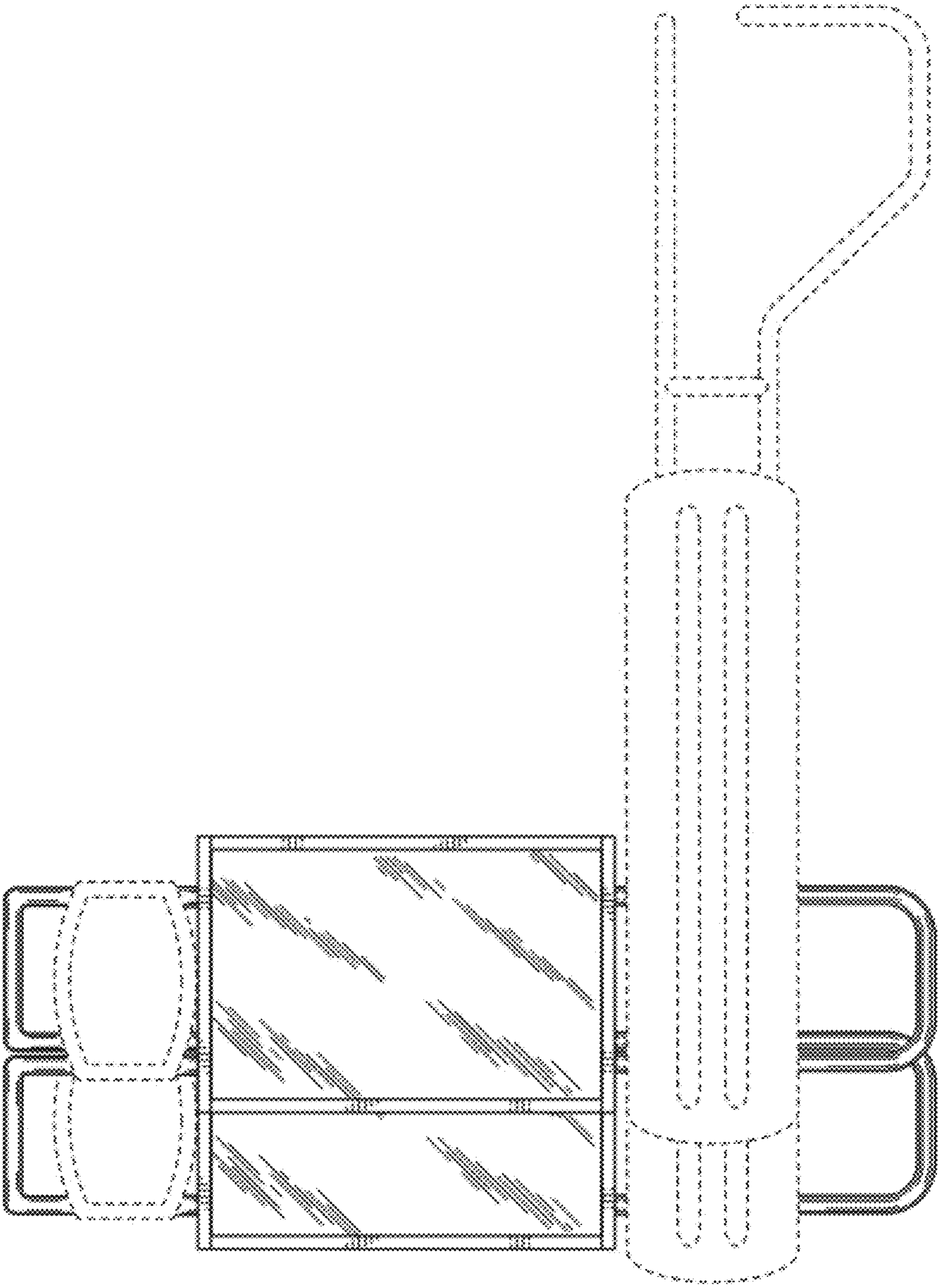


FIG. 2

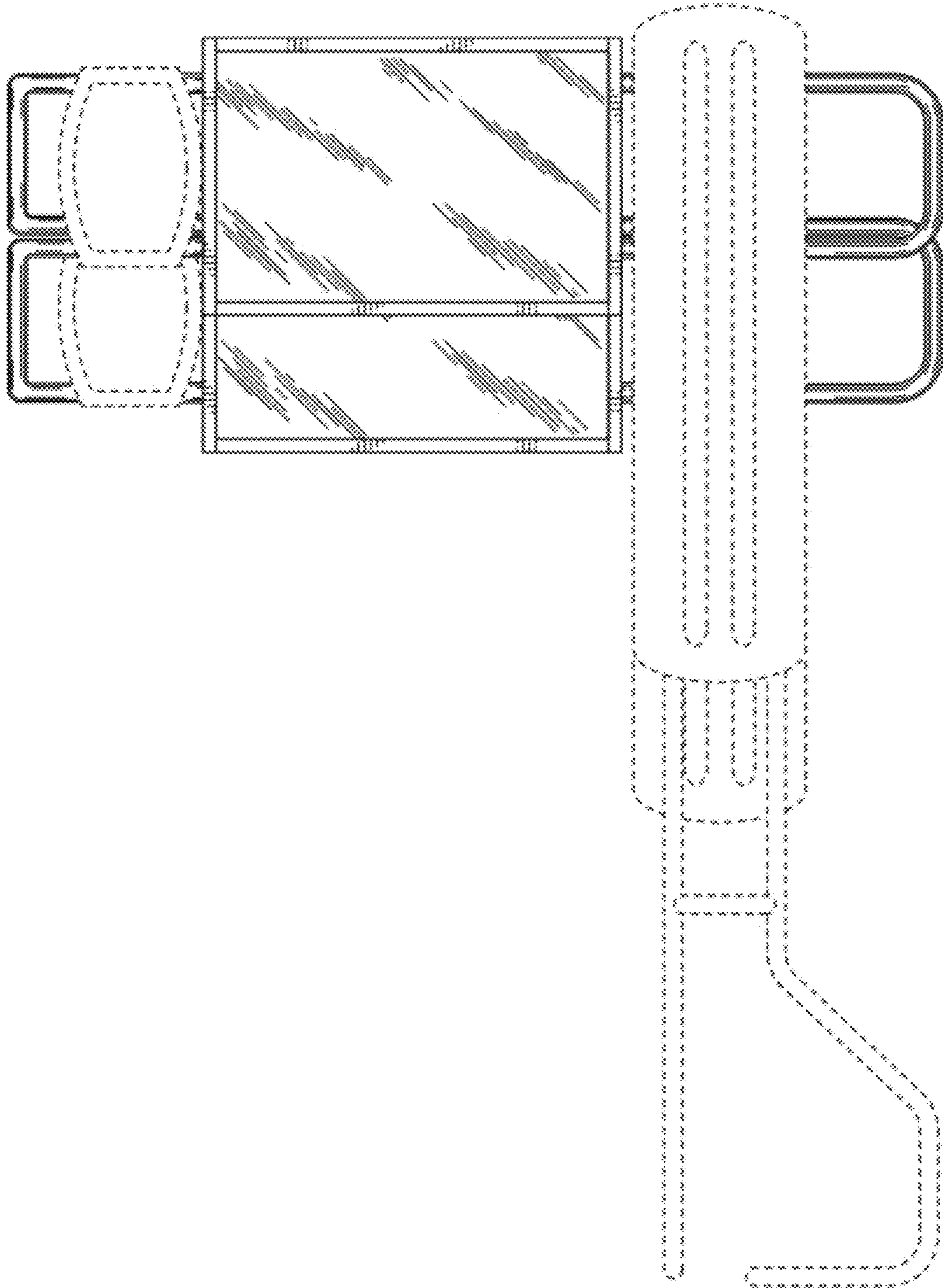


FIG. 3

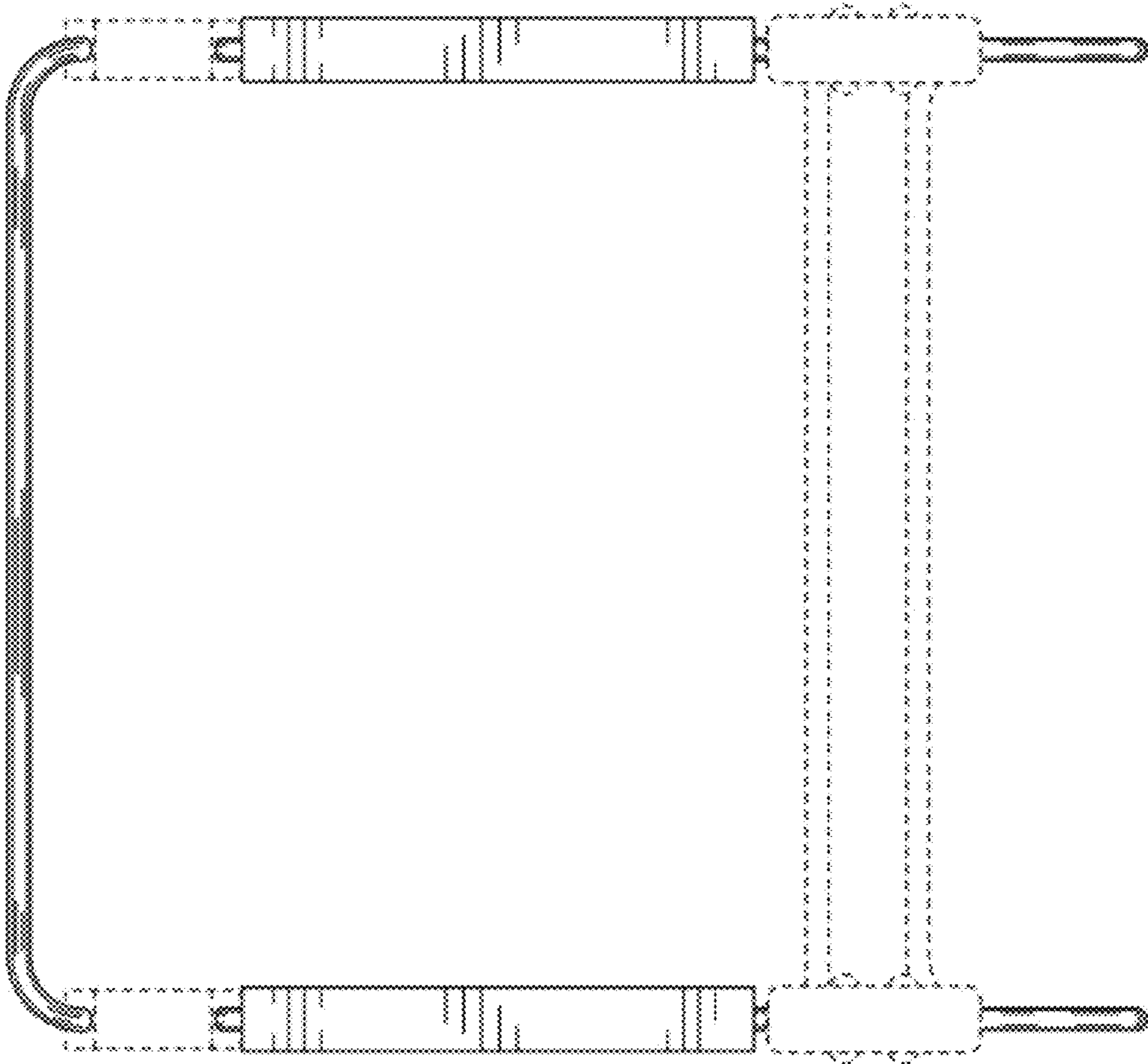


FIG. 4

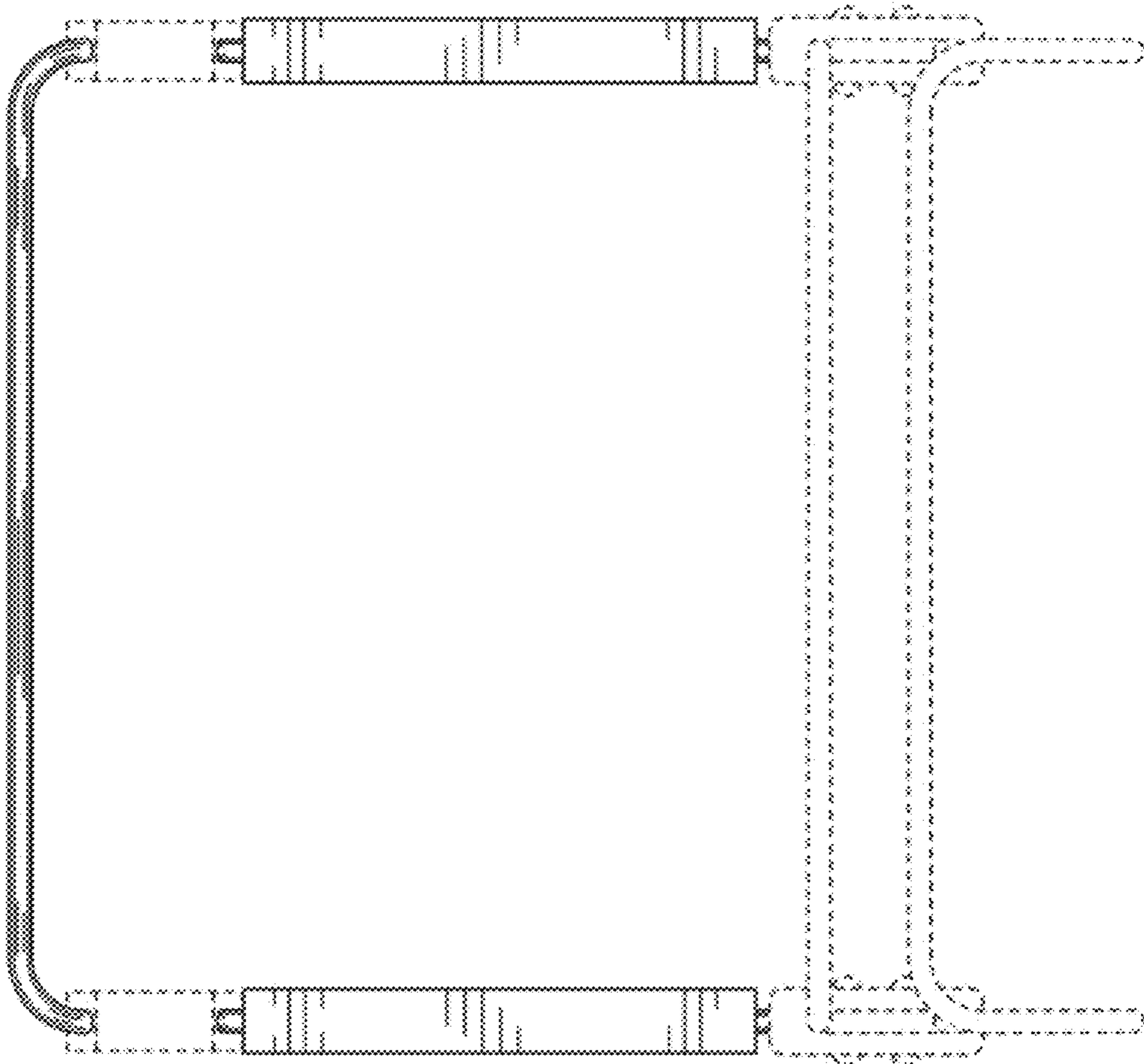


FIG. 5

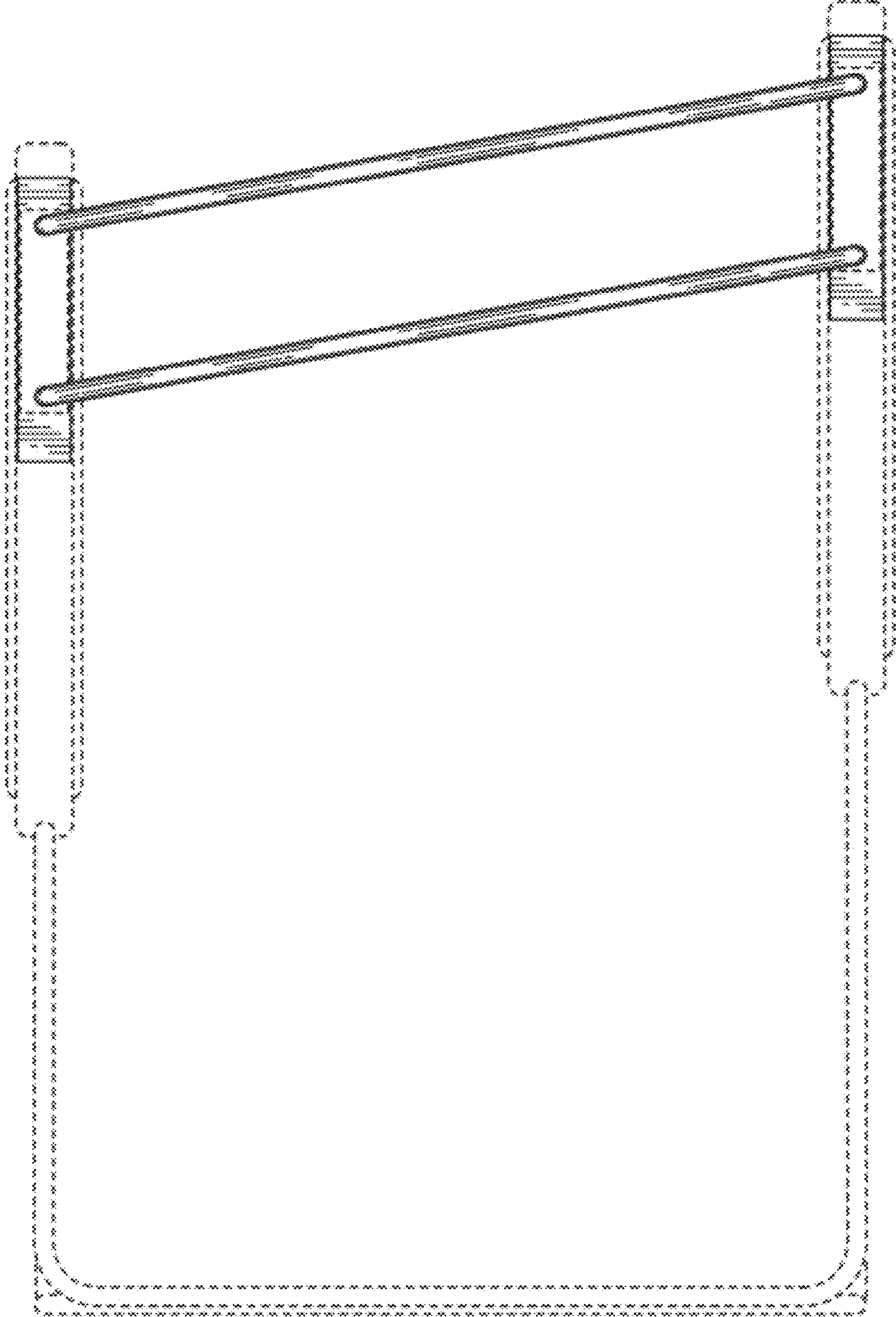


FIG. 6