



US00D663776S

(12) **United States Design Patent**
Lira-Nunez et al.

(10) **Patent No.:** **US D663,776 S**
(45) **Date of Patent:** **** Jul. 17, 2012**

(54) **ERASER AND MARKER HOLDER**
(75) Inventors: **Carmen Okuku Lira-Nunez**, Downers Grove, IL (US); **Allison Rose Dunphy**, Cincinnati, OH (US); **Katherine Joan Radville**, La Grange Park, IL (US)

6,533,108 B1 * 3/2003 Ledingham 198/841
6,543,615 B2 * 4/2003 Lake 206/371
D480,424 S 10/2003 Belton et al. D19/53
D486,523 S * 2/2004 Lederer et al. D19/83
D517,913 S * 3/2006 Mouyos D9/434

(Continued)

(73) Assignee: **Sanford, L.P.**, Oak Brook, IL (US)

(**) Term: **14 Years**

(21) Appl. No.: **29/391,467**

(22) Filed: **May 9, 2011**

(51) **LOC (9) Cl.** **19-06**

(52) **U.S. Cl.** **D19/77**

(58) **Field of Classification Search** D8/394,
D8/395, 396; D19/75, 77-85, 99, 100; 24/11 F,
24/11 P, 11 R, 11 CC, 11 CT; 206/214, 224,
206/371; 211/69.1-69.9; 248/316.2, 316.7,
248/346.03

See application file for complete search history.

(56) **References Cited**

U.S. PATENT DOCUMENTS

D45,721 S	5/1914	Lee	D32/52
1,477,551 A *	12/1923	Addison	24/11 FE
D101,784 S	11/1936	Kurtz	D32/45
D185,045 S *	4/1959	Slaton	D10/61
3,106,994 A *	10/1963	Scott	403/231
3,564,668 A *	2/1971	Kirk	281/30
D221,822 S	9/1971	Kieves	D4/137
4,852,221 A *	8/1989	Antonucci	24/10 R
D320,229 S	9/1991	Frazier	D19/53
D320,547 S *	10/1991	Georgopoulos	D8/396
D359,309 S *	6/1995	Bracken	D19/83
5,432,973 A	7/1995	Wagner et al.	15/210.1
D398,644 S	9/1998	Krapf	D19/53
5,820,095 A *	10/1998	Stone	248/316.7
D445,134 S *	7/2001	Leeds	D19/84
6,367,115 B1	4/2002	Frazier	15/231

OTHER PUBLICATIONS

Squeegee-Style dry erase board eraser. Retrieved from the Internet:
<URL: http://www.amazon.com/Squeegee-Style-Board-Eraser-TBD3336BDUA24-Category/dp/B001HA9FCG/ref=sr_1_6?s=office-products&ie=UTF8&qid=1304340875&sr=1-6>. Publicly available before May 9, 2011.

(Continued)

Primary Examiner — Elizabeth Albert

(74) *Attorney, Agent, or Firm* — Marshall, Gerstein & Borun LLP

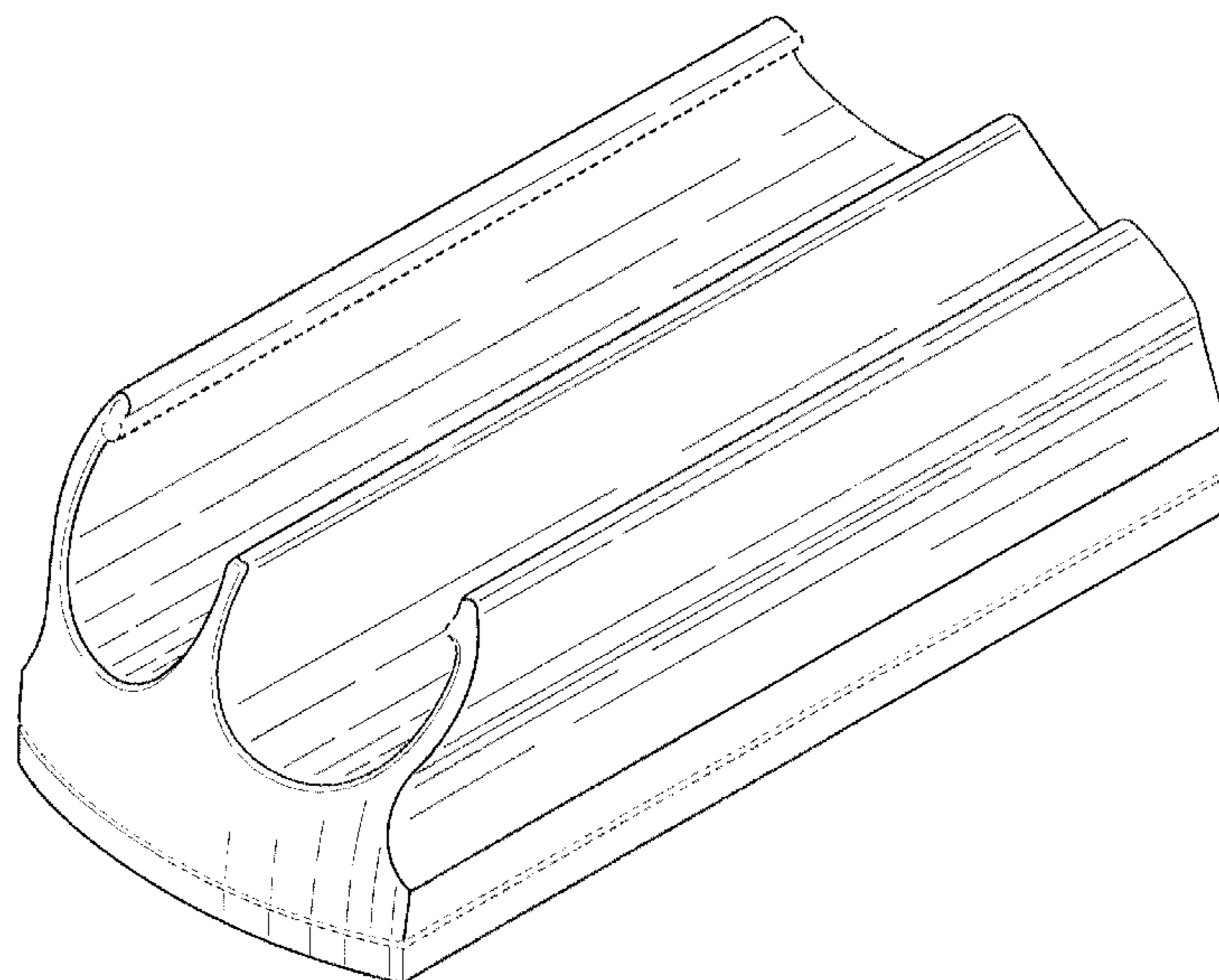
(57) **CLAIM**

The ornamental design for a eraser and marker holder, as shown and described.

DESCRIPTION

FIG. 1 is a perspective view showing our new design for a eraser and marker holder;
FIG. 2 is a front view of the eraser and marker holder of FIG. 1, the rear view being a mirror image thereof;
FIG. 3 is a side view of the eraser and marker holder of FIG. 1, the opposite side view being a mirror image thereof;
FIG. 4 is a top plan view of the eraser and marker holder of FIG. 1; and,
FIG. 5 is a bottom plan view of the eraser and marker holder of FIG. 1.
The broken lines showing portions of the eraser and marker holder are included for the purpose of illustrating environment and form no part of the claimed design.

1 Claim, 2 Drawing Sheets



U.S. PATENT DOCUMENTS

D551,713	S	*	9/2007	Schmidt	D19/53
D571,648	S	*	6/2008	Rieder	D8/395
D617,382	S	*	6/2010	Guirlinger	D19/83
D618,993	S	*	7/2010	Reed	D8/395
D640,743	S	*	6/2011	Guirlinger	D19/82
D641,414	S	*	7/2011	Guirlinger	D19/83
2002/0027357	A1	*	3/2002	Lake	281/30

OTHER PUBLICATIONS

Quartet ergonomic handle large chalkboard/dryerase board eraser. Retrieved from the Internet: <URL: http://www.amazon.com/Quartet-Ergonomic-Handle-Chalkboard-52-180132/dp/B001E6BI3W/ref=sr_1_24?s=office-products&ie=UTF8&qid=1304340875&sr=1-24>. Publicly available before May 9, 2011.

School smart magnetic whiteboard dryeraser. Retrieved from the Internet: <URL: http://www.amazon.com/School-Smart-Magnetic-Whiteboard-Eraser/dp/B003U6P1QO/ref=sr_1_44?s=office-products&ie=UTF8&qid=1304341186&sr=1-44>. Publicly available before May 9, 2011.

Magnetico magnetic delete-key dryerase board eraser. Retrieved from the Internet: <URL: http://www.amazon.com/Magnetico-Magnetic-Delete-Key-Eraser-MdE-01/dp/B000WTI100/ref=sr_1_114?s=office-products&ie=UTF8&qid=1304341350&sr=1-114>. Publicly available before May 9, 2011.

Sparco magnetic eraser with marker storage. Retrieved from the Internet: <URL: http://www.amazon.com/Sparco-Products-Magnetic-magnetic-dry-erase/dp/B004E3GBU2/ref=sr_1_134?s=office-products&ie=UTF8&qid=1304341461&sr=1-134>. Publicly available before May 9, 2011.

Prestige eraser for dry-erase. Retrieved from the Internet: <URL: http://www.amazon.com/Quartet-Products-Dry-erase-disposable-available/dp/B004E3GLG6/ref=sr_1_157?s=office-products&ie=UTF8&qid=1304341558&sr=1-157>. Publicly available before May 9, 2011.

EXPO ergonomic shaped eraser. Retrieved from the Internet: <URL: http://www.amazon.com/Sanford-Ink-Corporation-Products-Double-sided/dp/B004E3G6PM/ref=sr_1_242?s=office-products&ie=UTF8&qid=1304341698&sr=1-242>. Publicly available before May 9, 2011.

Magnetic whiteboard eraser. Retrieved from the Internet: <URL: <http://www.google.com/search?um=1&hl=en&biw=1579&bih=671&site=search&tbm=isch&sa=1&q=magnetic+whiteboard+eraser+by+Dowling+Magnets&aq=f&aqi=&aql=&oq=http://www.google.com/search?um=1&hl=en&biw=1579&bih=671&site=search&tbm=isch&sa=1&q=magnetic+whiteboard+eraser+by+Dowling+Magnets&aq=f&qf=&aql=&oq=>>>. Publicly available before May 9, 2011.

TUL dry erase eraser. Retrieved from the Internet: <URL: http://www.officemax.com/catalog/sku.jsp?productId=ARS24595&history=sellb86z|prodPage~15%5efreeText~eraser%5eparamValue~true%5erefine~1%5eregion~1%5eparam~return_skus%5ereturn_skus~Y>. Publicly available before May 9, 2011.

TUL dry erase organizer set. Retrieved from the Internet: <URL: http://www.google.com/imgres?imgurl=http://www.reliable.com/catalog/images/397x353/22347033i_01.jpg&imgrefurl=http://www.reliable.com/brands/tul/tul-markers/product-ARS24537&usg=__pciMBh1t25SpIzQT1ccuWmkduxo=&h=353&w=397&sz=17&hl=en&start=14&zoom=1&um=1&itbs=1&tbnid=KTH1XX5g0ItjhM:&tbnh=110&tbnw=124&prev=/search%3Fq%3DTUL%2Bdry%2Berase%2Beraser%26um%3D1%26hl%3Den%26biw%3D1579%26bih%3D671%26tbnid=Disch&ei=orbBTF-OF6bx0gGioOnoDA>. Publicly available before May 9, 2011.

Wire stay. Retrieved from the Internet: <URL: <http://www.mockett.com/furniture-hardware/wm25.html>>. Publicly available before May 9, 2011.

Magnetic dryeraser with cup. Retrieved from the Internet: <URL: <http://www.containerstore.com/shop?productId=10027279&N=&Ntt=magnetic+eraser>>. Publicly available before May 9, 2011.

Magnetic dryeraser with pen. Retrieved from the Internet: <URL: <http://www.containerstore.com/shop?productId=10027280&N=&Ntt=magnetic+eraser>>. Publicly available before May 9, 2011.

System Disco Infuse magnetic eraser. Retrieved from the Internet: <URL: <http://dealnay.com/1278779/system-disco-infuse-magnetic-eraser.html>>. Publicly available before May 9, 2011.

Officemax magnetic whiteboard eraser. Retrieved from the Internet: <URL: <http://www.te.co.nz/Office-Business/Office-School-Equipment/Manukau-City/Manukau-City/adId-4594271.htm>>. Publicly available before May 9, 2011.

Dryerase marker with magnetic eraser. Retrieved from the Internet: <URL: <http://www.bi-silque.com/pFinder.php?tag=markers>>. Publicly available before May 9, 2011.

* cited by examiner

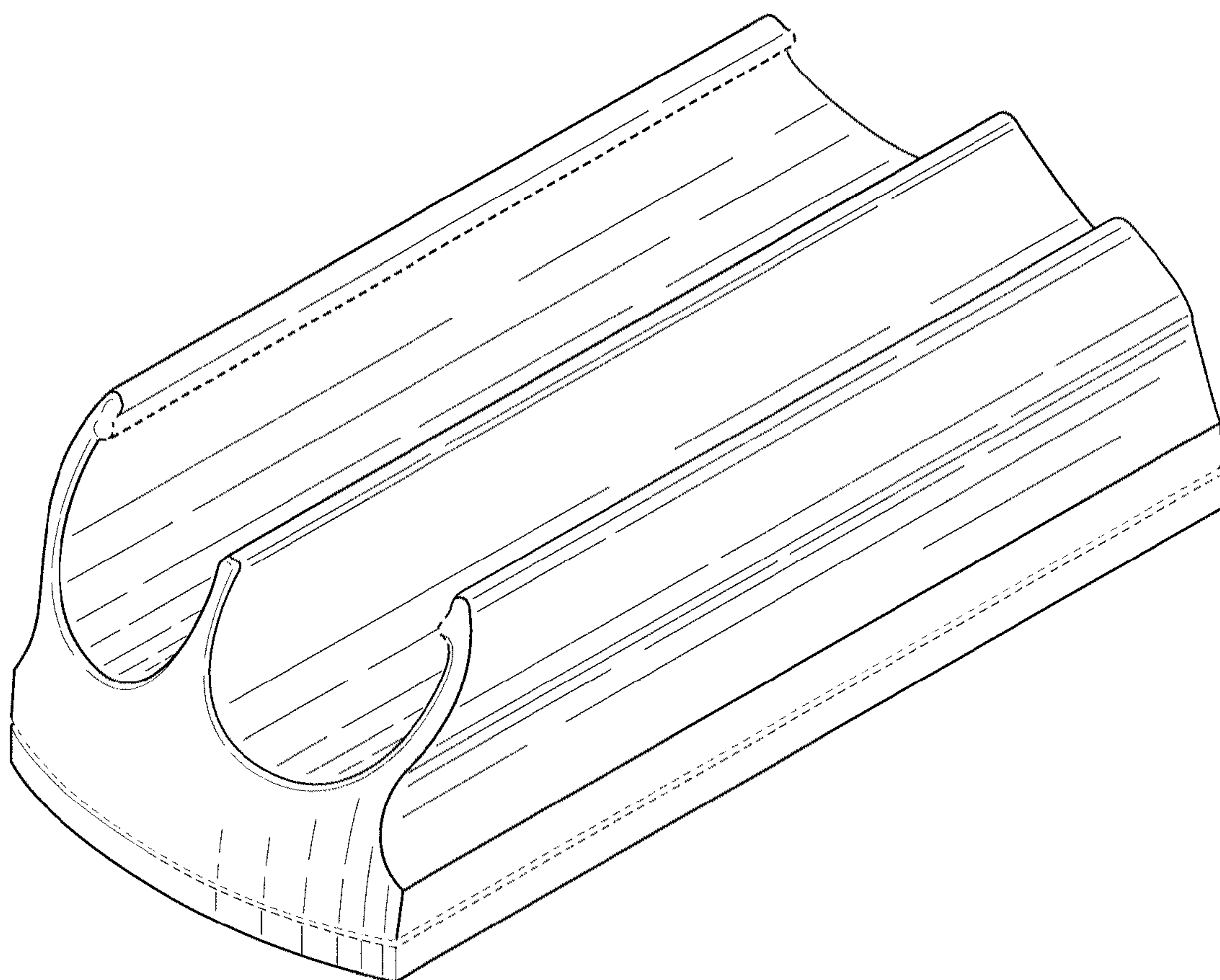


FIG. 1

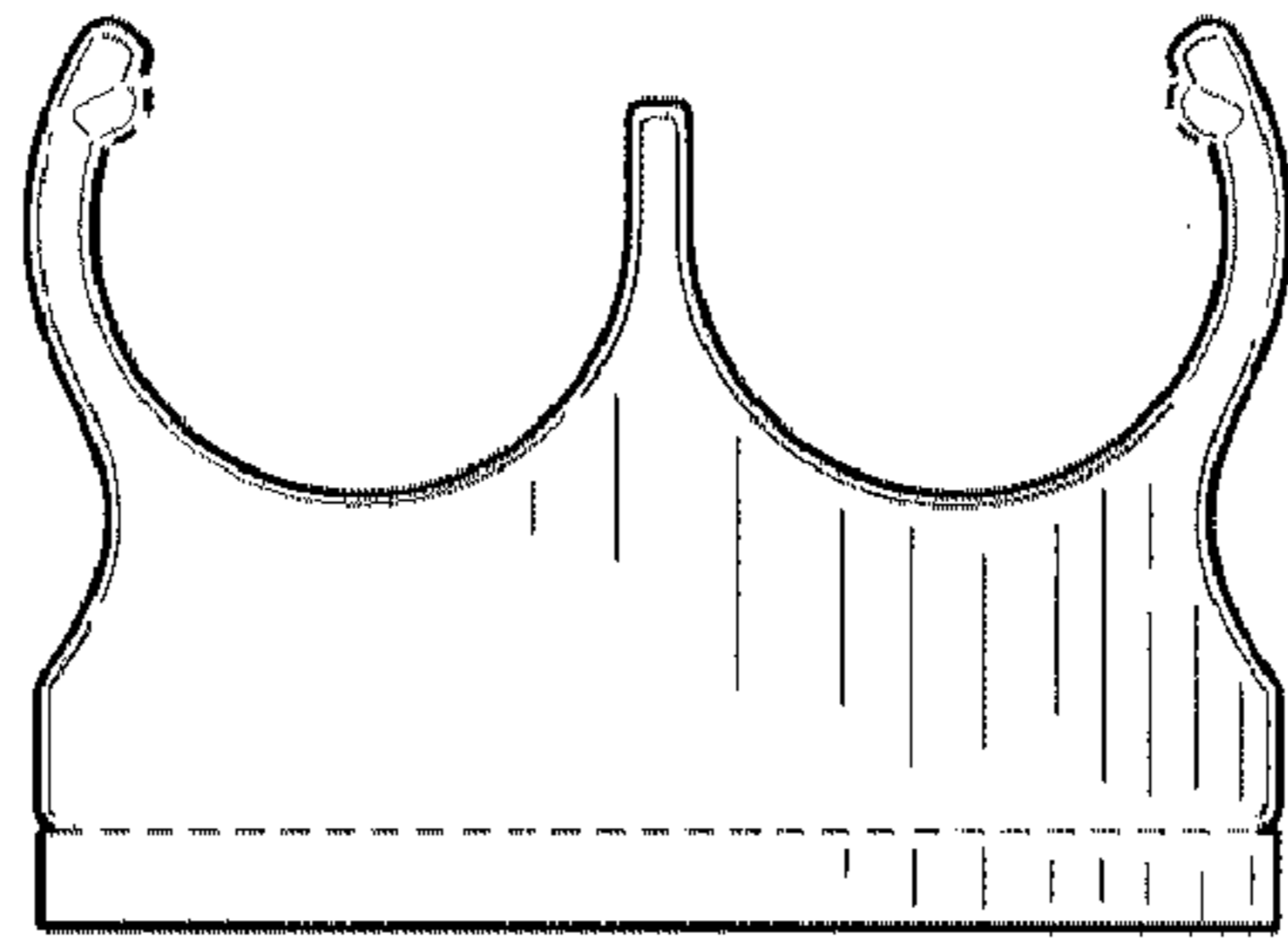


FIG. 2

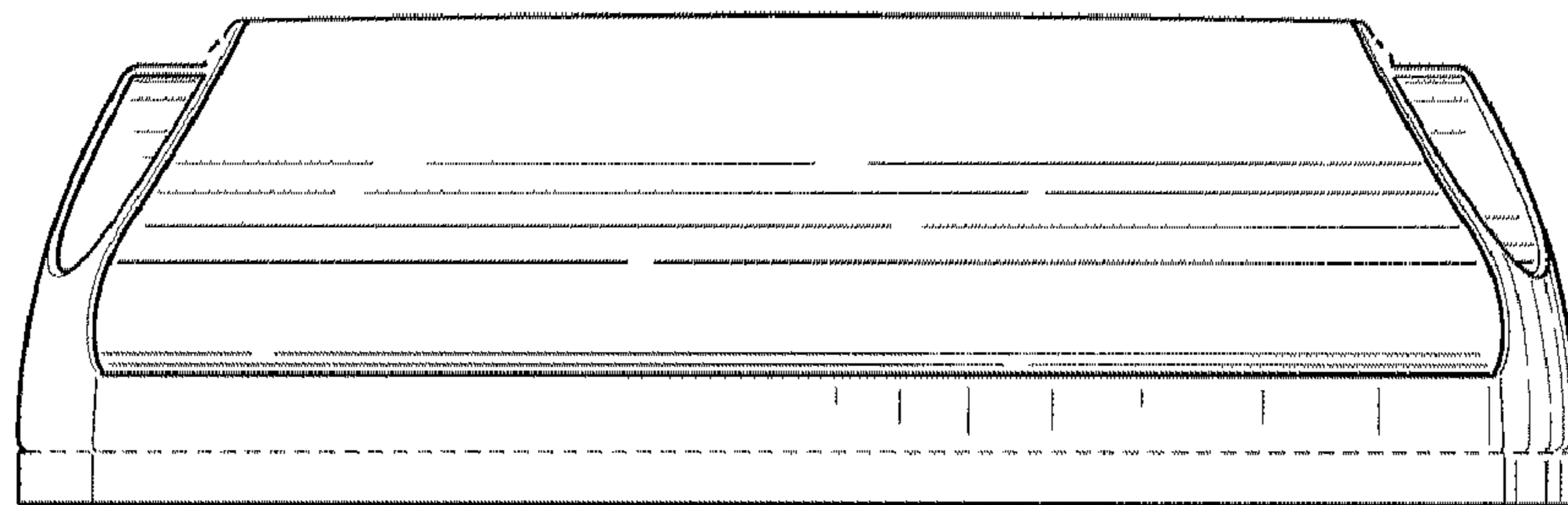


FIG. 3

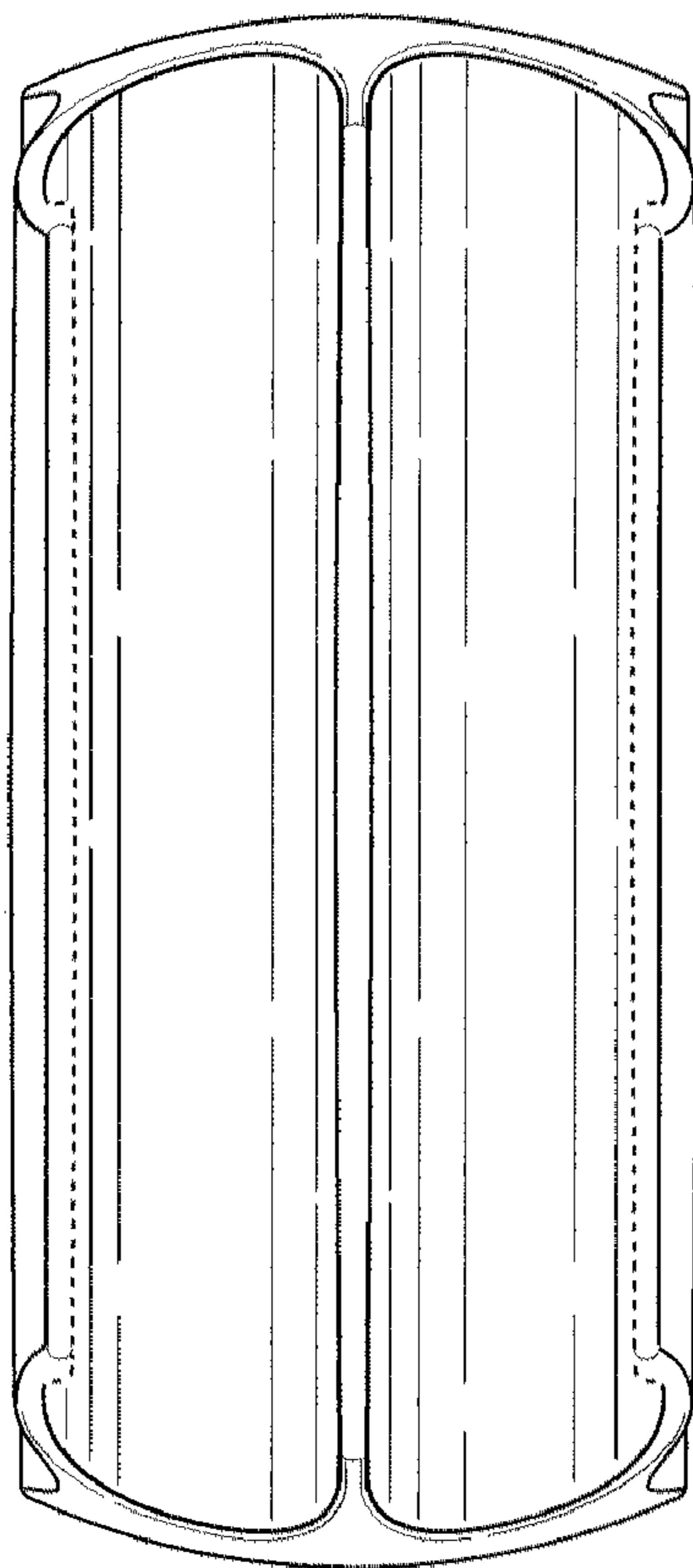


FIG. 4

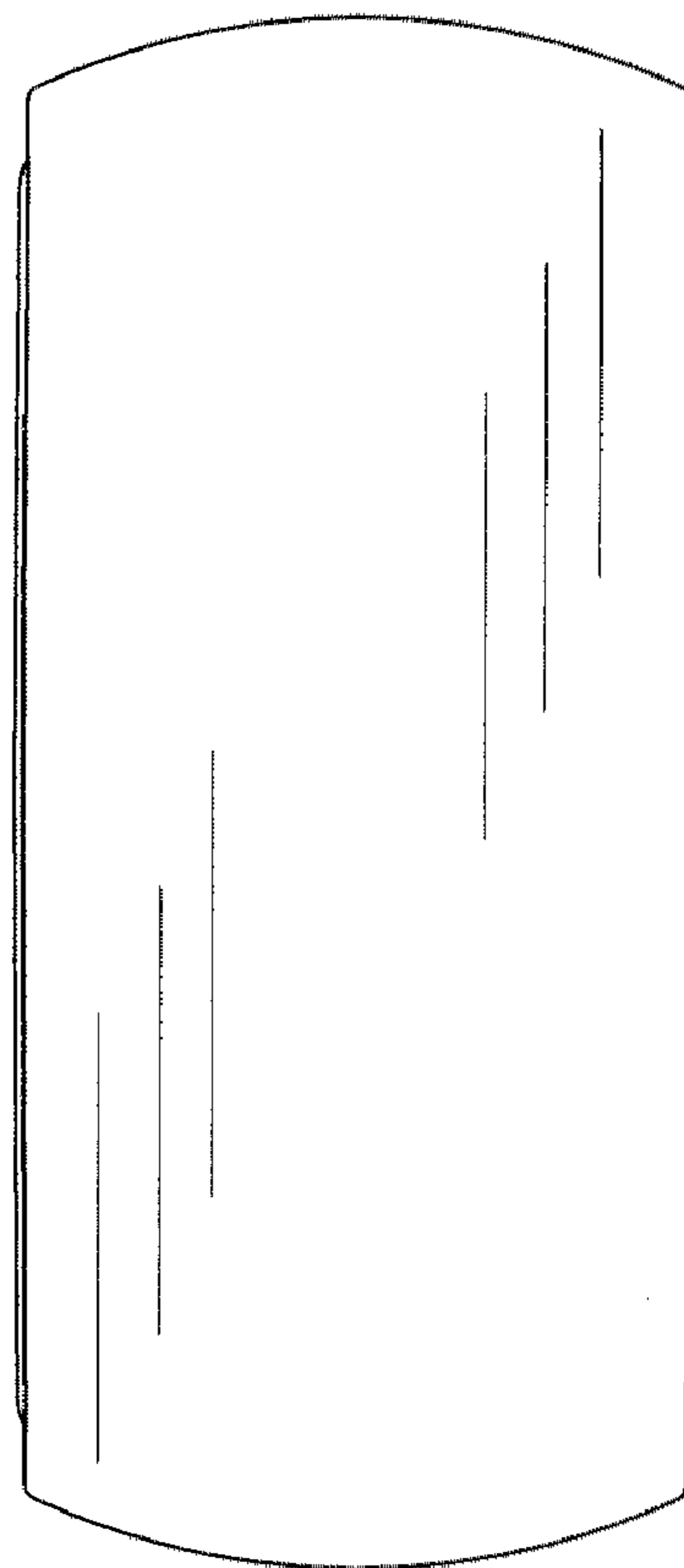


FIG. 5