

US00D663775S

(12) **United States Design Patent**
Hsu

(10) **Patent No.:** **US D663,775 S**
(45) **Date of Patent:** **** Jul. 17, 2012**

(54) **TAPE DISPENSER**

(76) Inventor: **Nick Hsu**, Taichung (TW)

(**) Term: **14 Years**

(21) Appl. No.: **29/395,646**

(22) Filed: **Mar. 5, 2012**

(51) **LOC (9) Cl.** **08-02**

(52) **U.S. Cl.** **D19/69**

(58) **Field of Classification Search** D19/36,
D19/70, 69, 68; D13/133, 146; 242/588.6,
242/588.3, 588.2; 225/77, 6, 56, 69, 26,
225/25, 19, 11; 206/411; 156/577, 527,
156/523

See application file for complete search history.

(56) **References Cited**

U.S. PATENT DOCUMENTS

D188,519 S *	8/1960	Gershen	D19/69
D202,949 S *	11/1965	Petterson	D19/69
D311,874 S *	11/1990	Ingram et al.	D10/72
D328,097 S *	7/1992	Czech	D19/69
D457,564 S *	5/2002	Kimura	D19/53
D475,744 S *	6/2003	De Man et al.	D19/69
D485,302 S *	1/2004	Bain	D19/69
D494,623 S *	8/2004	Huang	D19/69
D570,918 S *	6/2008	Rushe	D19/69
D574,892 S *	8/2008	Kouda	D19/69

D588,645 S *	3/2009	Burton et al.	D19/69
D640,325 S *	6/2011	Broen et al.	D19/69
D656,549 S *	3/2012	Packard et al.	D19/69

* cited by examiner

Primary Examiner — Austin Murphy

(74) *Attorney, Agent, or Firm* — Charles E. Baxley

(57) **CLAIM**

The ornamental design for a tape dispenser, as shown and described.

DESCRIPTION

FIG. 1 is a perspective view of a tape dispenser, showing my new design;

FIG. 2 is a front view thereof;

FIG. 3 is a rear view thereof;

FIG. 4 is a left side view thereof;

FIG. 5 is a right side view thereof;

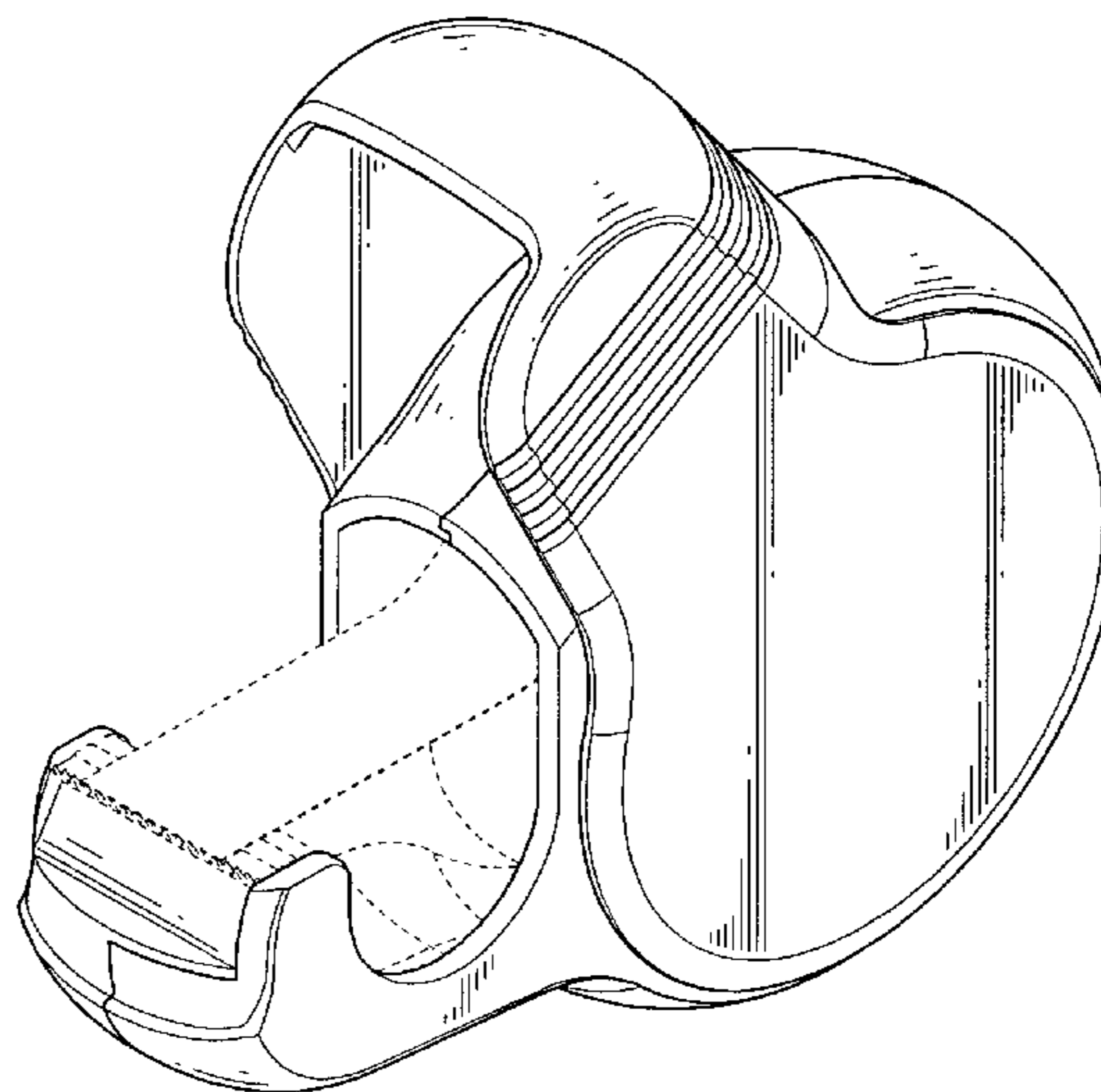
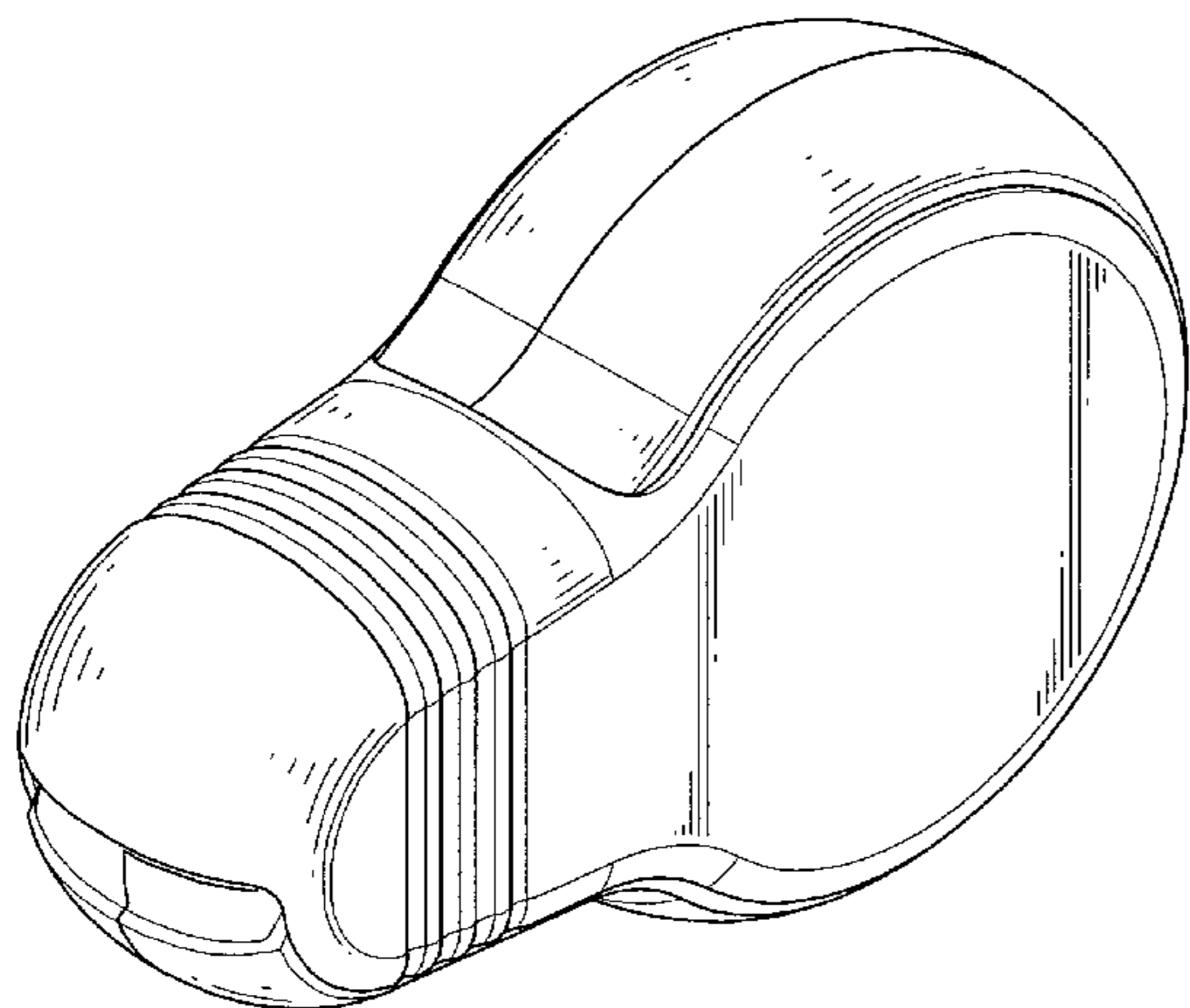
FIG. 6 is a top view thereof; and

FIG. 7 is a bottom view thereof;

FIG. 8 is another perspective view thereof; and,

FIG. 9 is a perspective view of an operational embodiment of the claimed design showing a cover being pivoted and opened, wherein the broken lines are shown for illustrative purposes only and form no part of the claimed design.

1 Claim, 7 Drawing Sheets



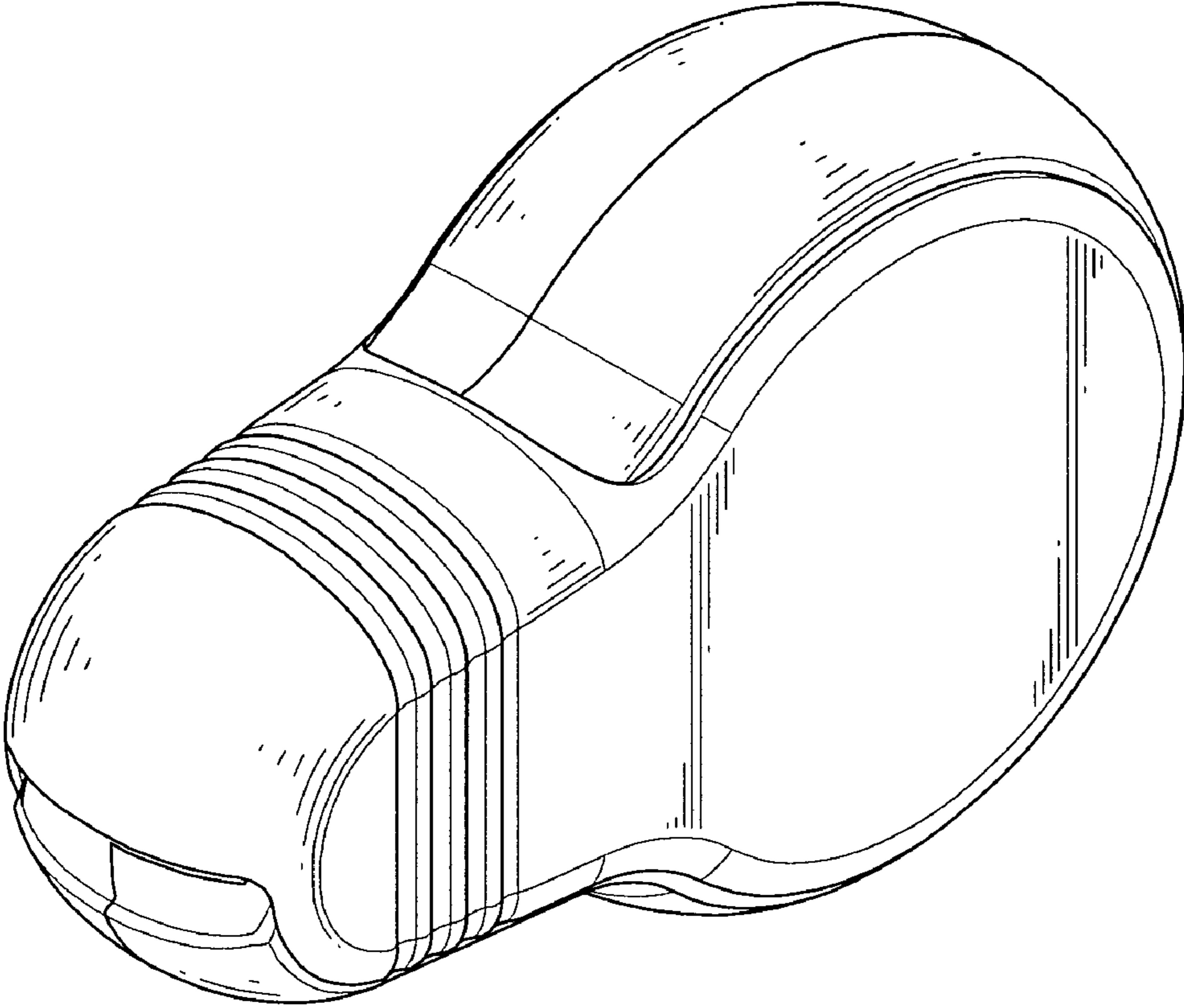


FIG. 1

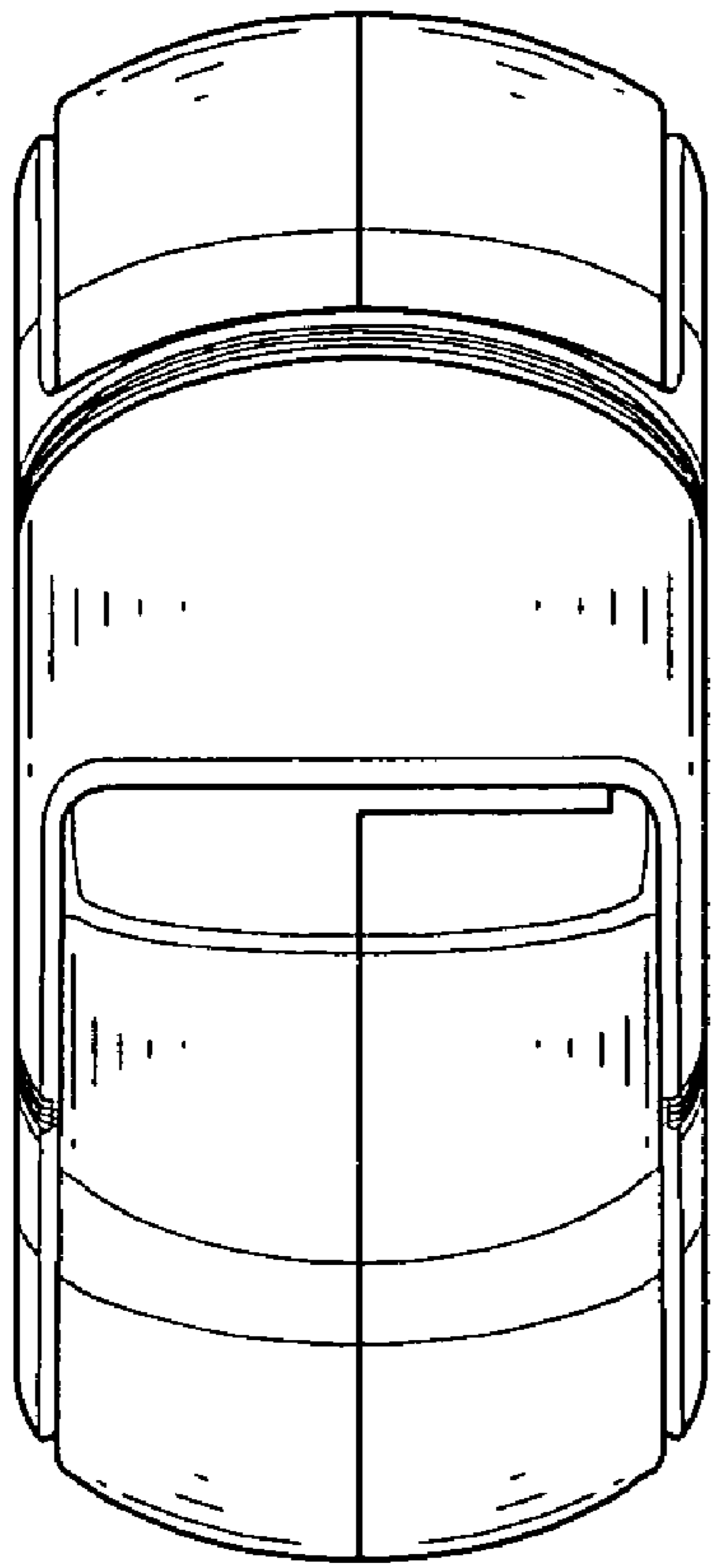


FIG. 2

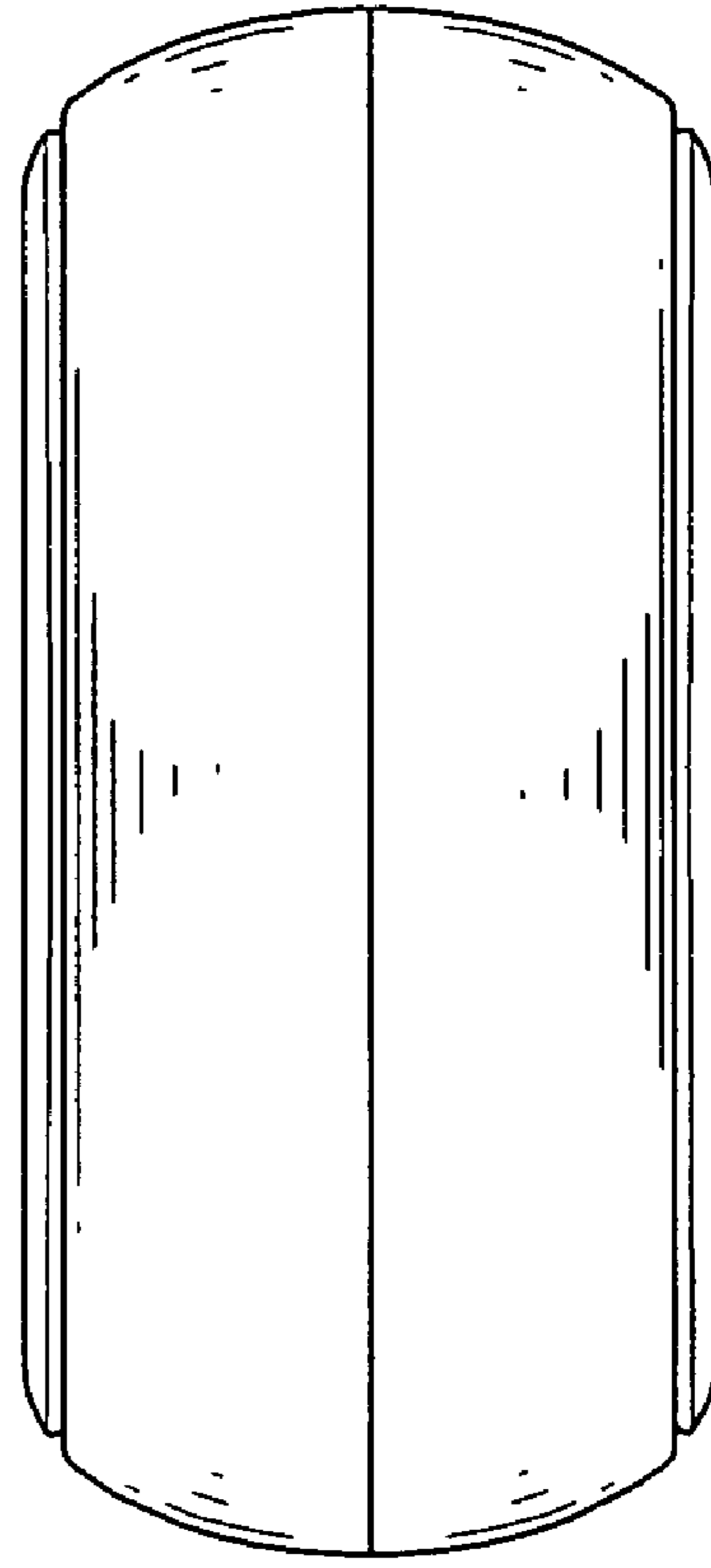


FIG. 3

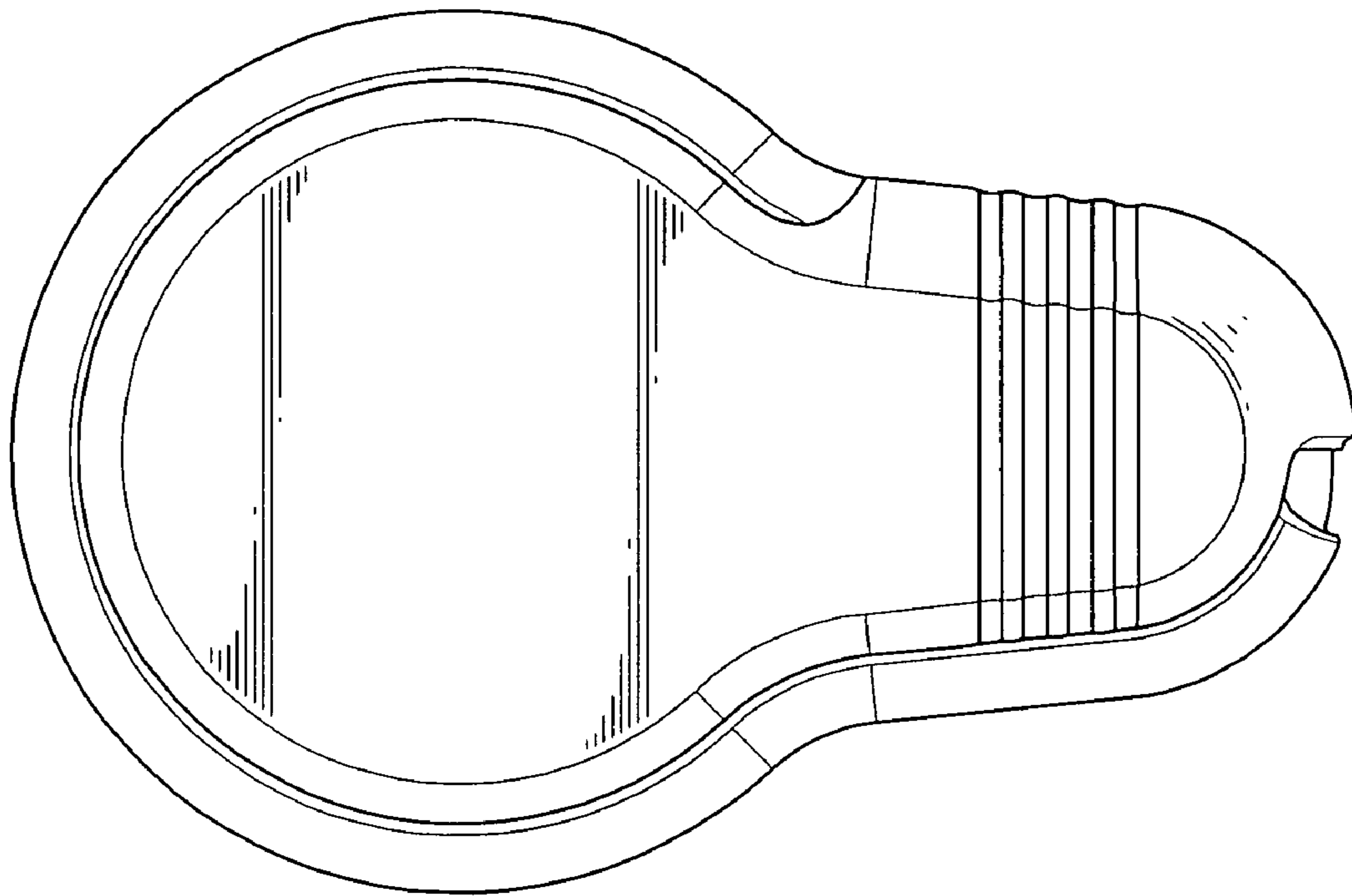


FIG.4

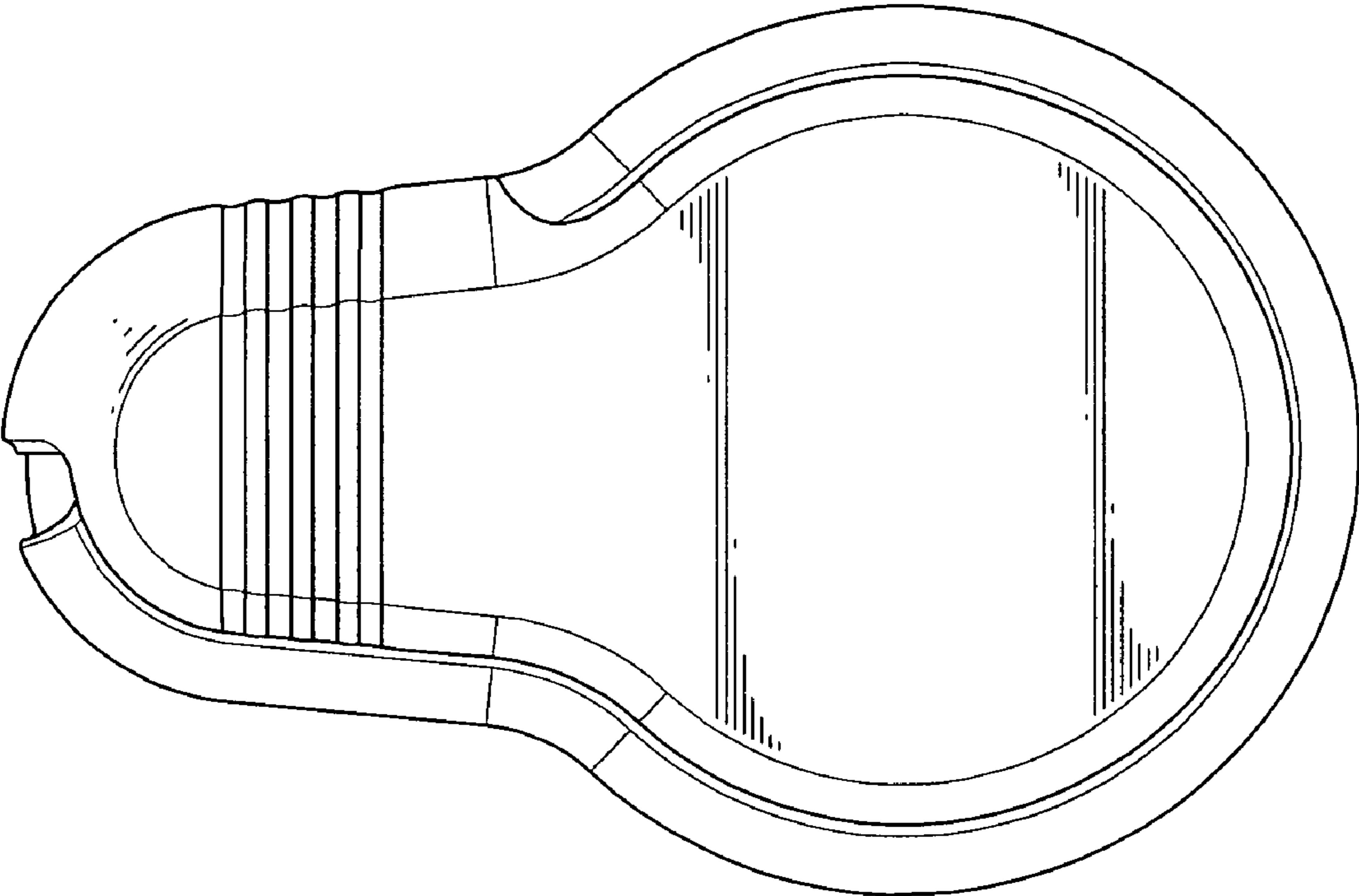


FIG.5

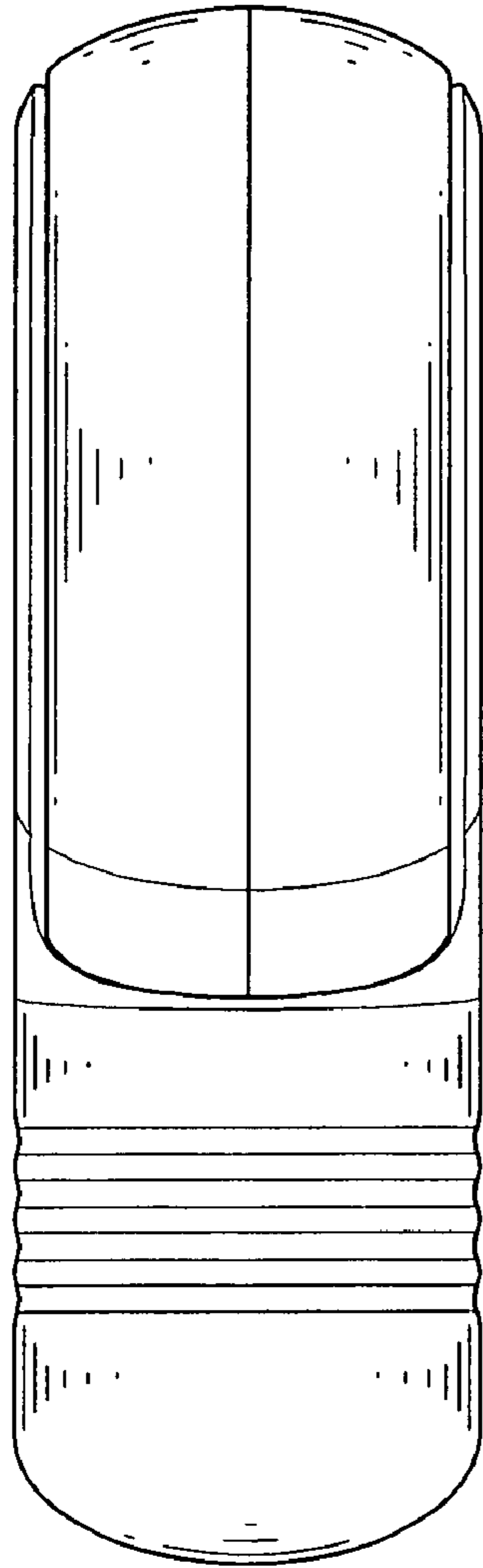


FIG. 6

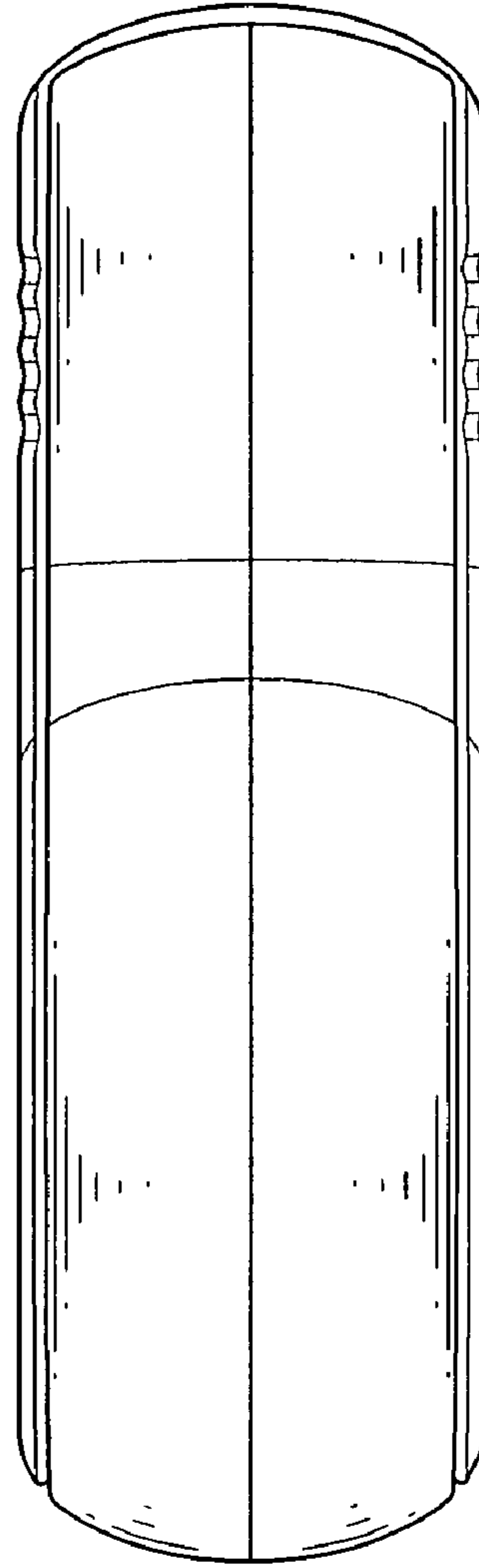


FIG. 7

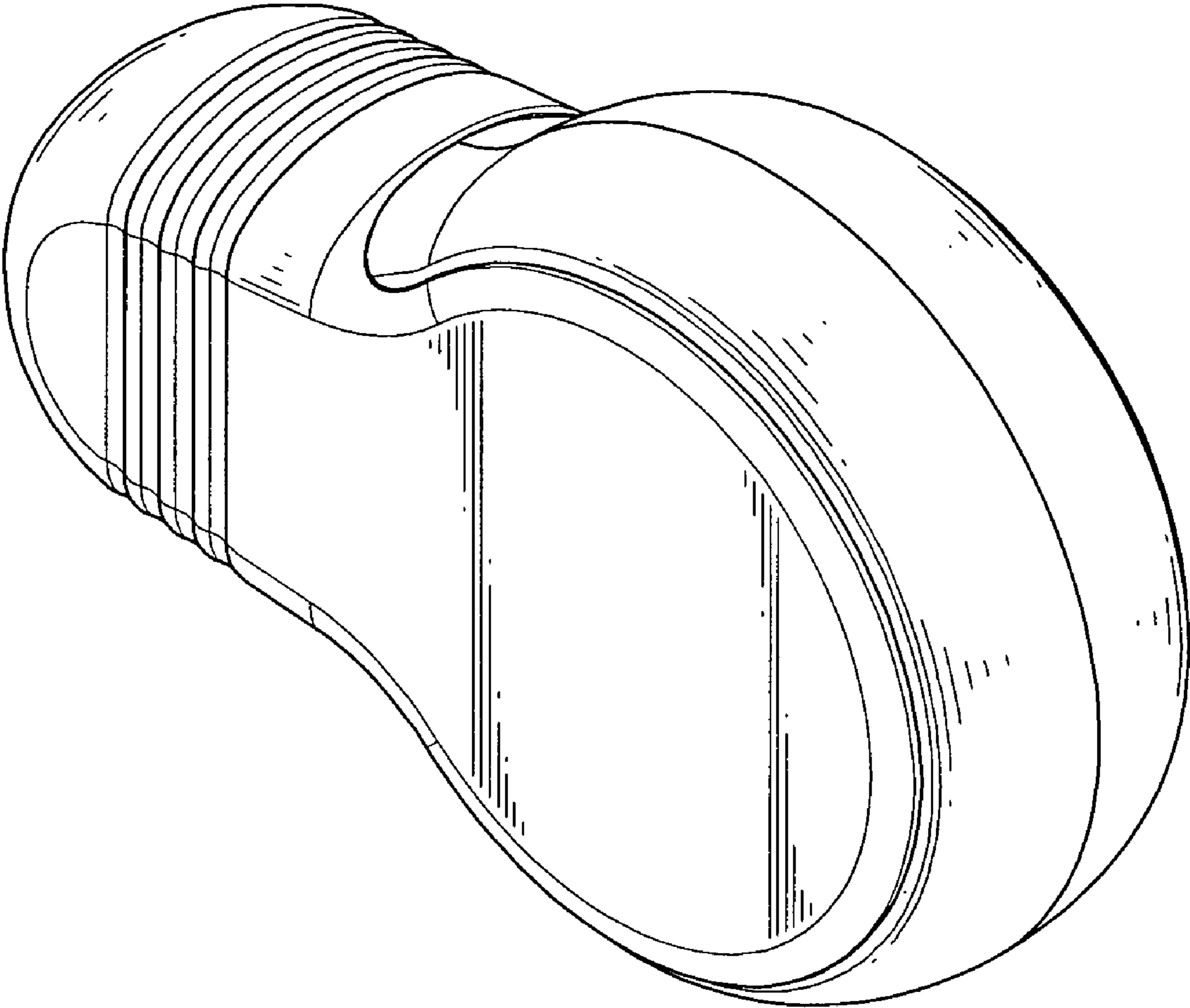


FIG.8

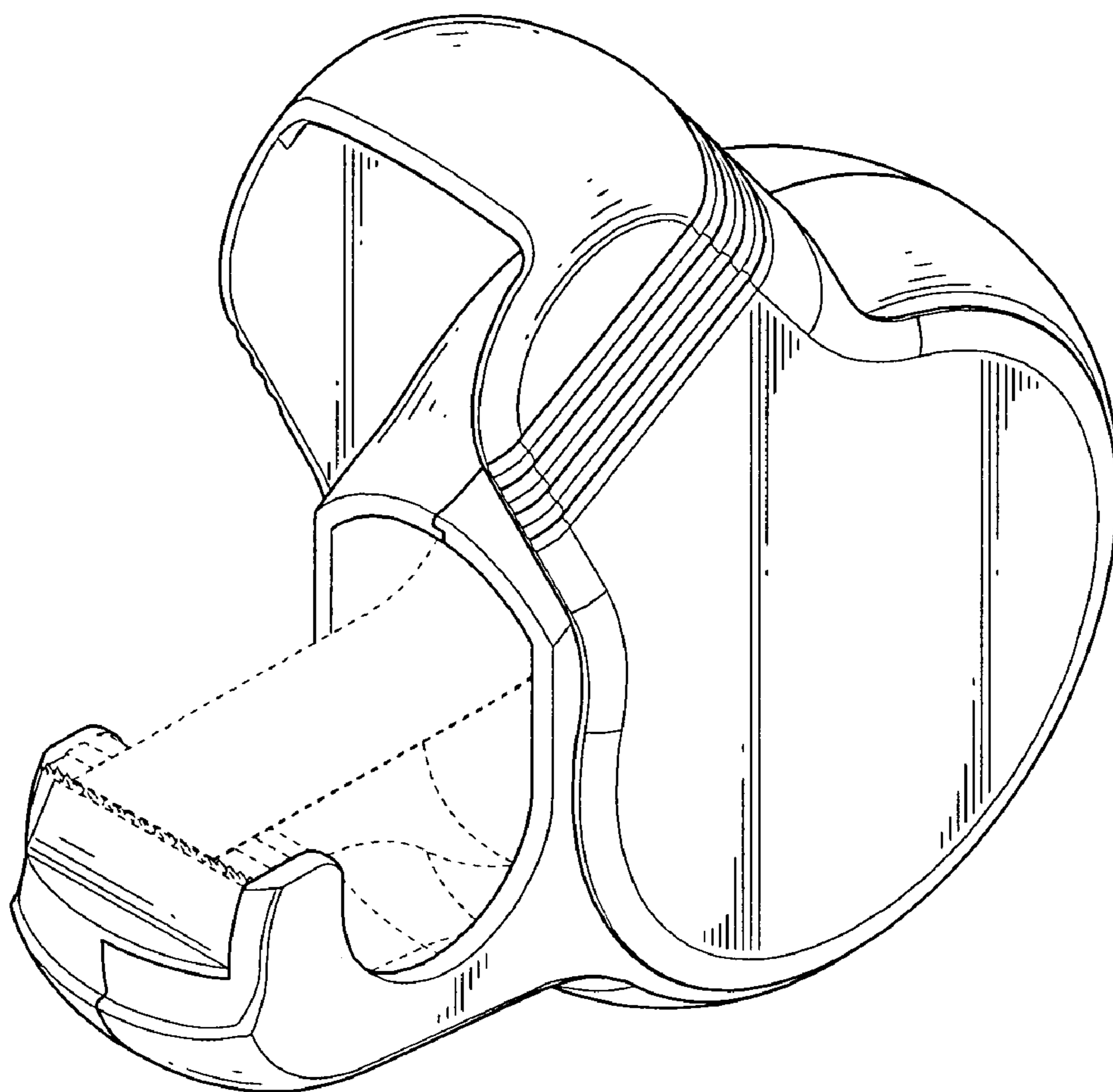


FIG. 9