

US00D663768S

(12) **United States Design Patent**
Yanagisawa et al.

(10) **Patent No.:** **US D663,768 S**
(45) **Date of Patent:** **** Jul. 17, 2012**

(54) **PRINTER**

(75) Inventors: **Keigo Yanagisawa**, Tokyo (JP); **Toshimi Kanno**, Tokyo (JP); **Jun Tairadate**, Tokyo (JP); **Kimiya Yamada**, Tokyo (JP)

(73) Assignee: **Iwatsu Electric Co., Ltd.**, Tokyo (JP)

(**) Term: **14 Years**

(21) Appl. No.: **29/391,415**

(22) Filed: **May 9, 2011**

(30) **Foreign Application Priority Data**

Nov. 9, 2010 (JP) 2010-026916

(51) **LOC (9) Cl.** **18-02**

(52) **U.S. Cl.** **D18/53**

(58) **Field of Classification Search** D18/53,
D18/50, 55, 36-39, 40, 46-49; D14/301,
D14/303; 270/1.01; 271/8.1; 101/2; 358/1.1;
355/78; 399/361

See application file for complete search history.

(56) **References Cited**

U.S. PATENT DOCUMENTS

D225,279 S *	11/1972	Matwey	D18/38
D230,517 S *	2/1974	Kalvitis	D18/53
D232,480 S *	8/1974	Laughon	D18/39
D250,954 S *	1/1979	Knodt et al.	D18/53
D258,446 S *	3/1981	Beehler et al.	D18/38
D275,762 S *	10/1984	Olson	D18/38

D275,764 S *	10/1984	Olson	D18/38
5,038,169 A *	8/1991	Marincic et al.	399/124
D544,534 S *	6/2007	Reece	D18/53
D550,761 S *	9/2007	Clark, III	D18/39
D619,166 S *	7/2010	Ishizawa et al.	D18/53
D621,442 S *	8/2010	Kachi et al.	D18/39
D623,685 S *	9/2010	Tsukuda et al.	D18/53
7,874,750 B2 *	1/2011	Lemoine	400/76
D650,417 S *	12/2011	Brown et al.	D18/53
2011/0122433 A1 *	5/2011	Klassen	358/1.15

FOREIGN PATENT DOCUMENTS

JP 01411170 4/2011

* cited by examiner

Primary Examiner — Bridget L Eland

(74) *Attorney, Agent, or Firm* — Paul & Paul

(57) **CLAIM**

The ornamental design for a printer, as shown and described.

DESCRIPTION

FIG. 1 is a perspective view of a printer showing our new design;

FIG. 2 is a front view thereof;

FIG. 3 is a rear view thereof;

FIG. 4 is a left side elevational view thereof;

FIG. 5 is a right side elevational view thereof;

FIG. 6 is a top plan view thereof; and,

FIG. 7 is a bottom plan view thereof.

The broken lines are directed to environment and are for illustrative purposes only; the broken lines form no part of the claimed design.

1 Claim, 4 Drawing Sheets

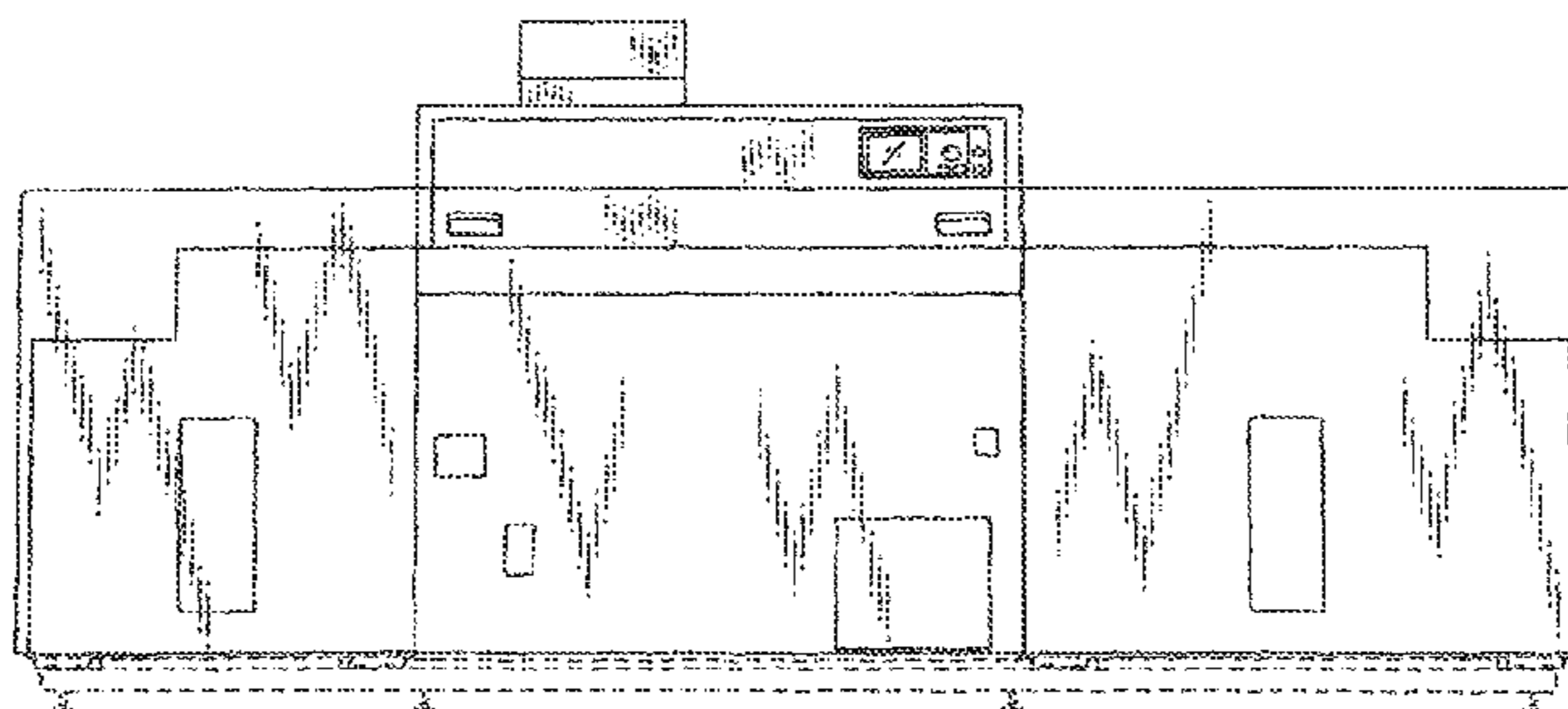
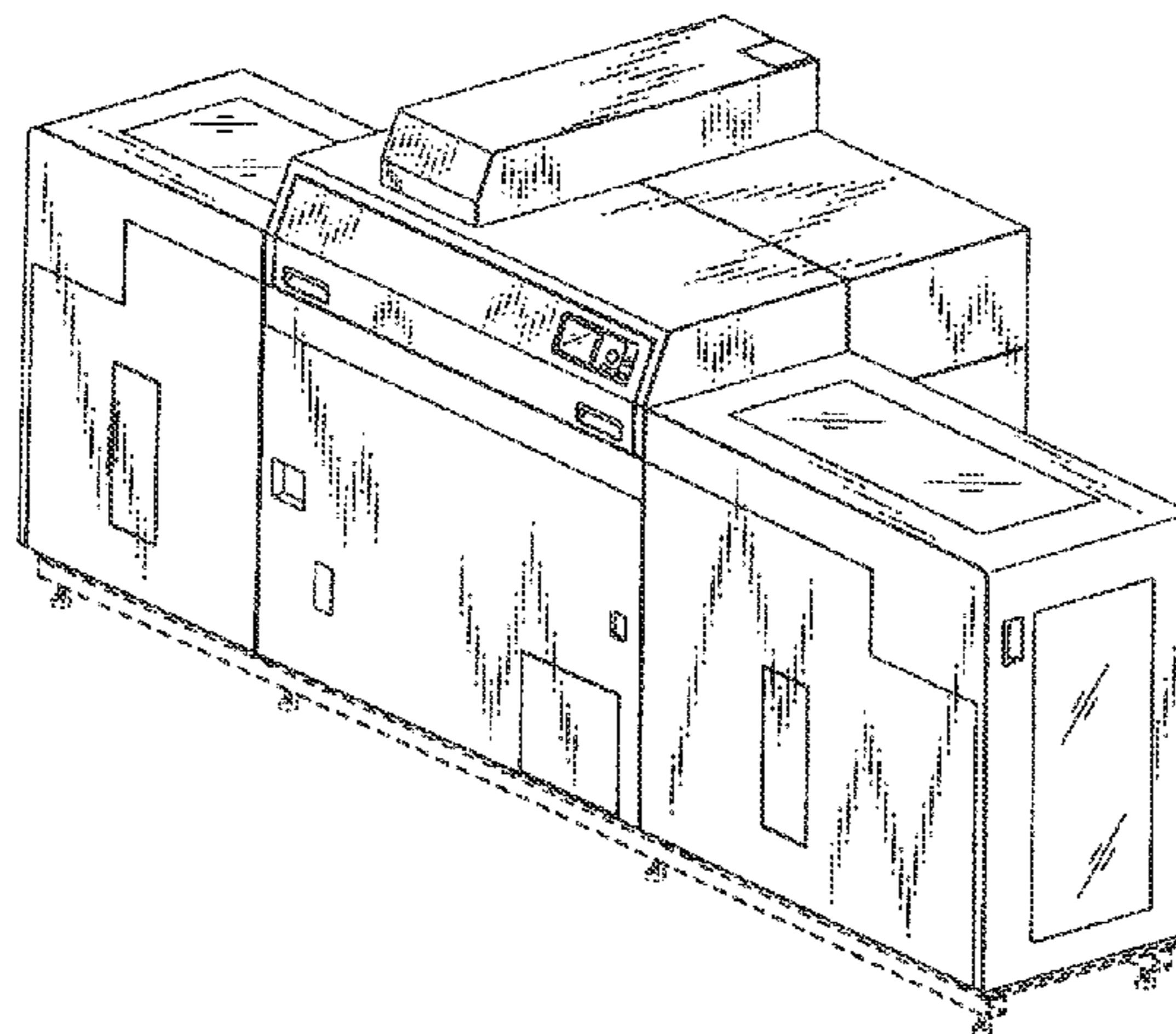


Fig. 1

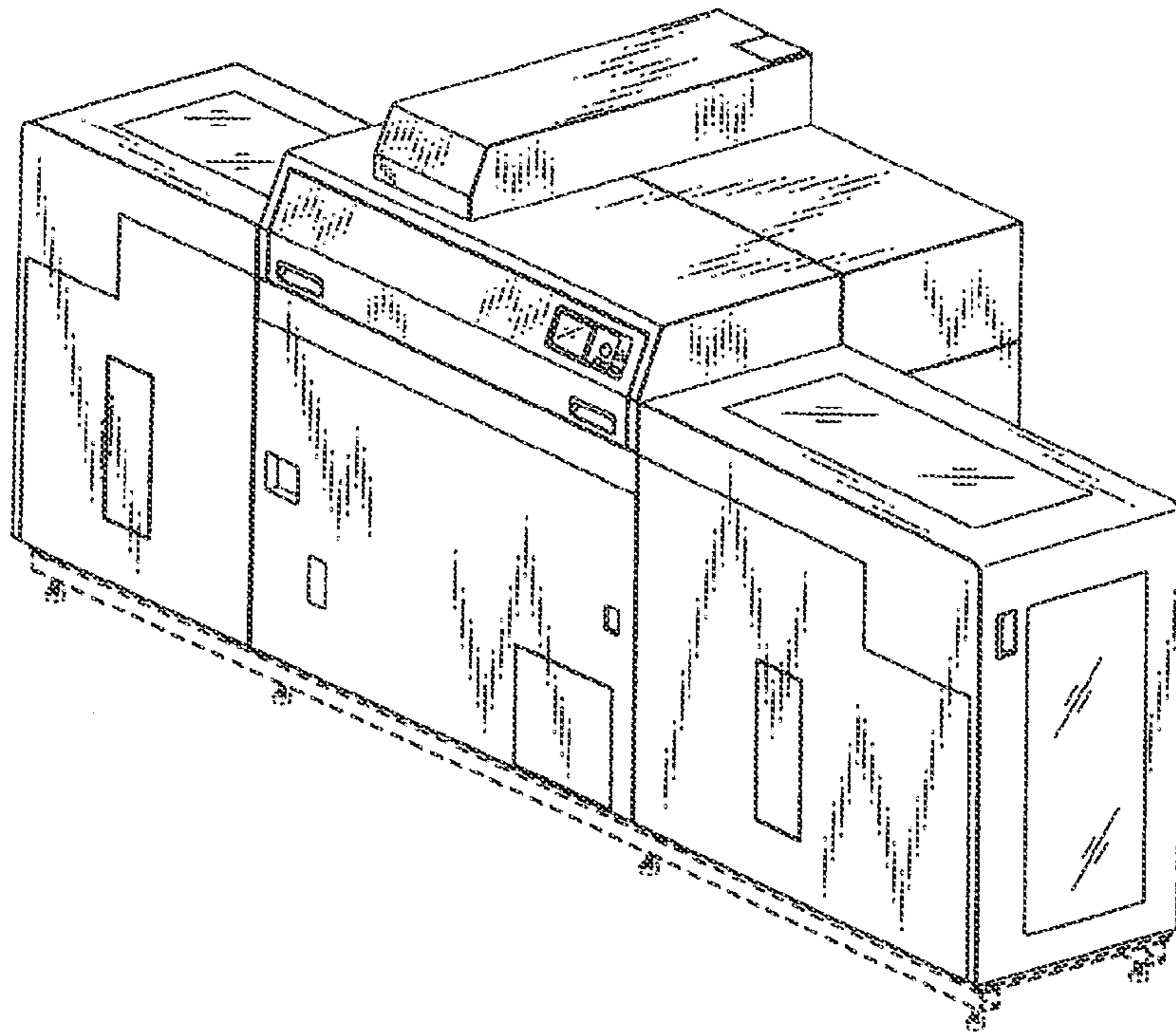


Fig.2

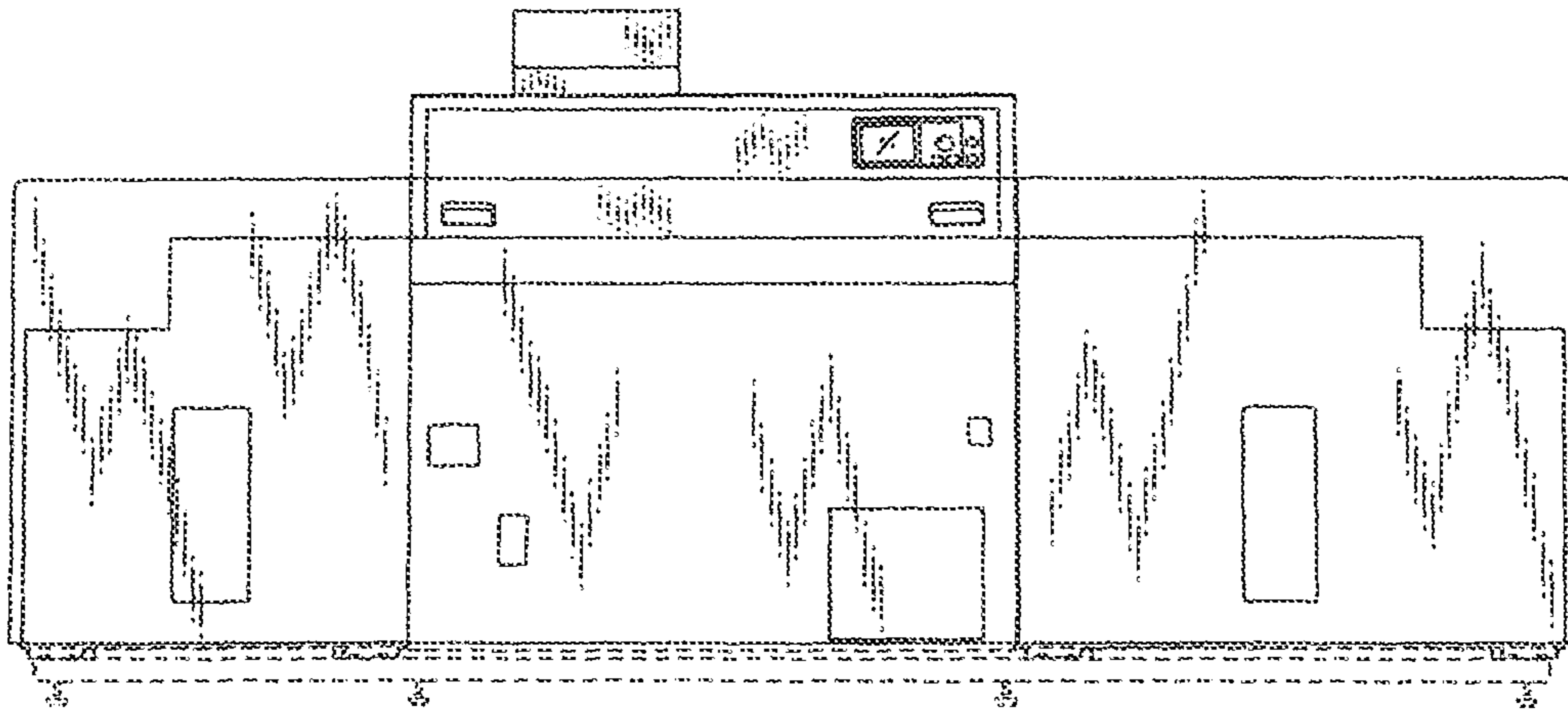


Fig.3

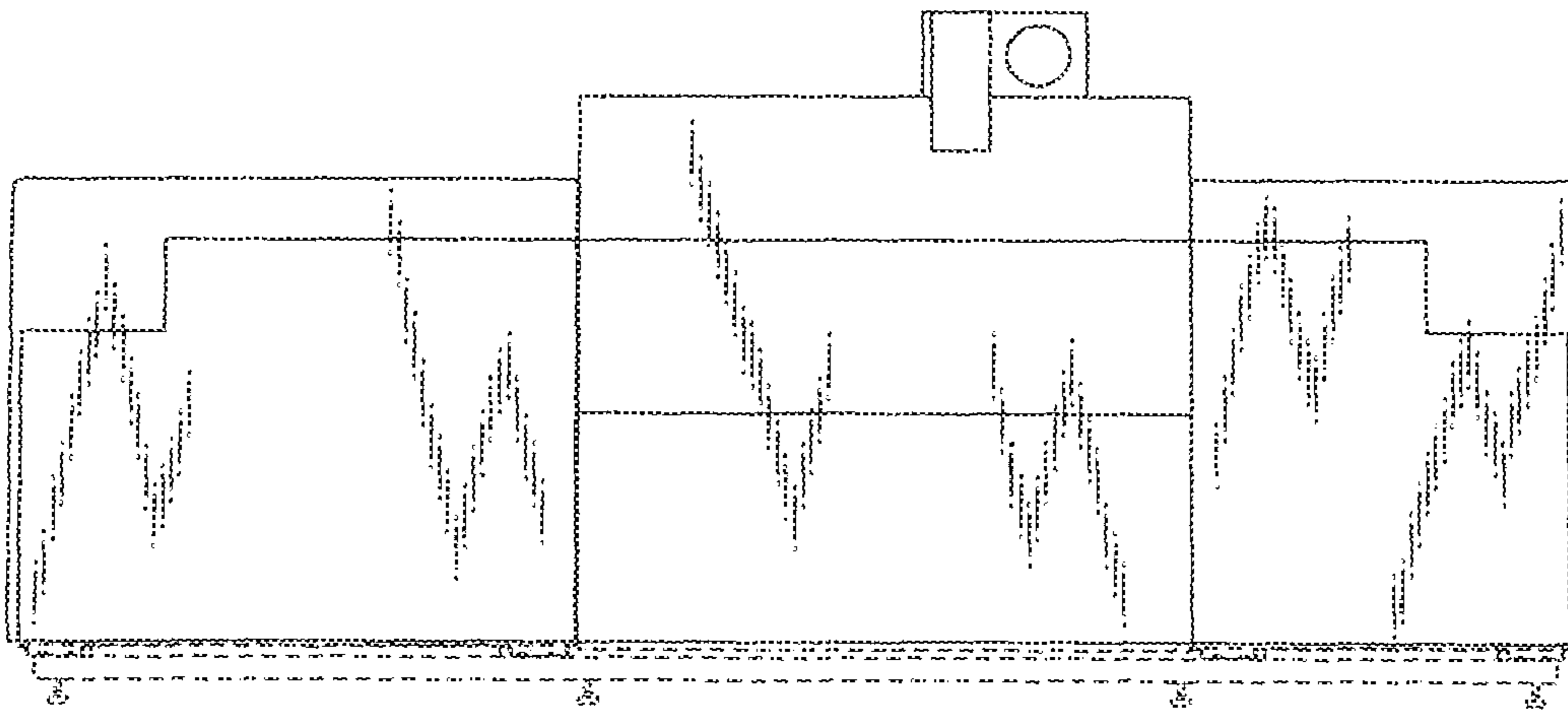


Fig.4

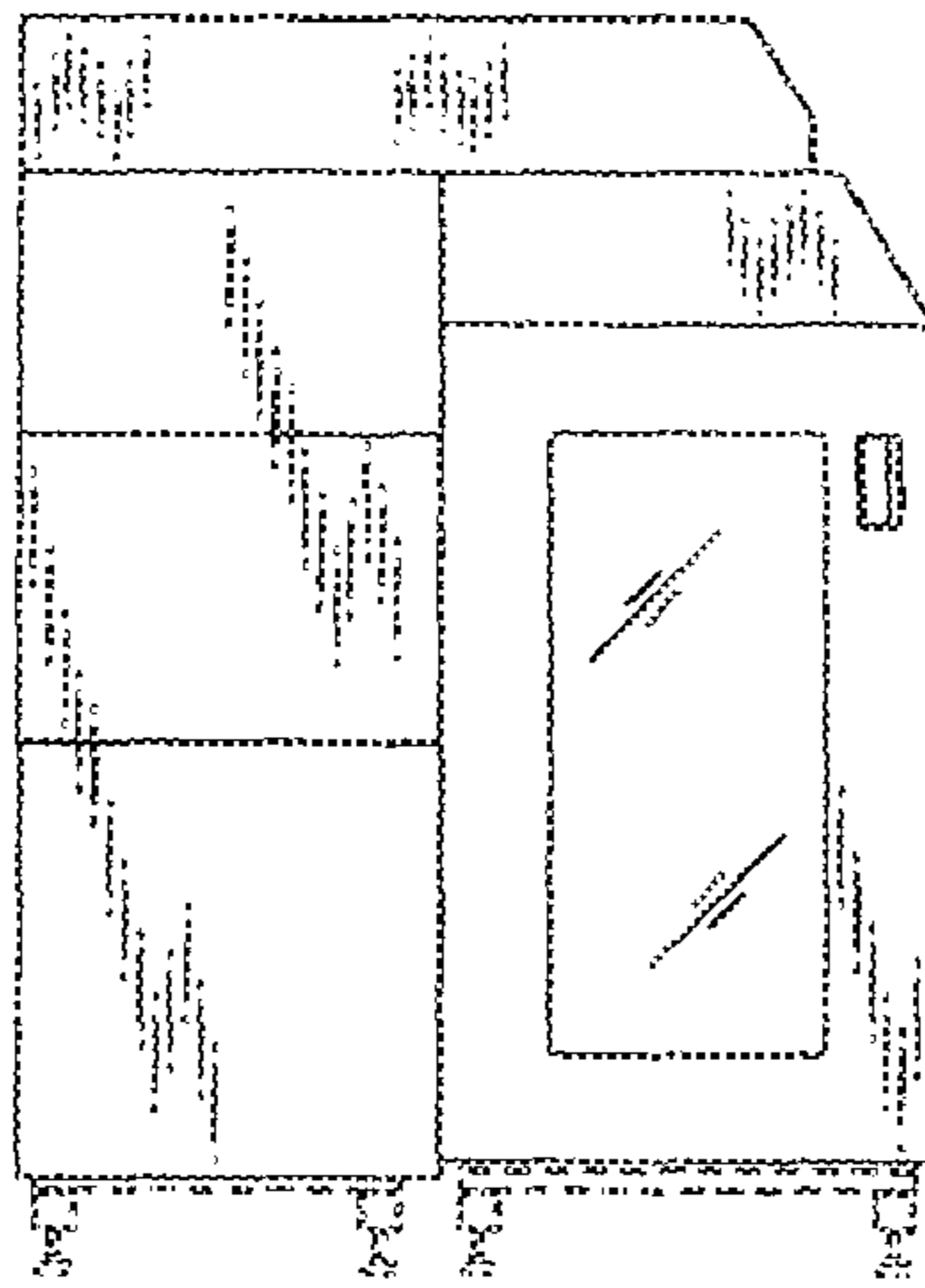


Fig.5

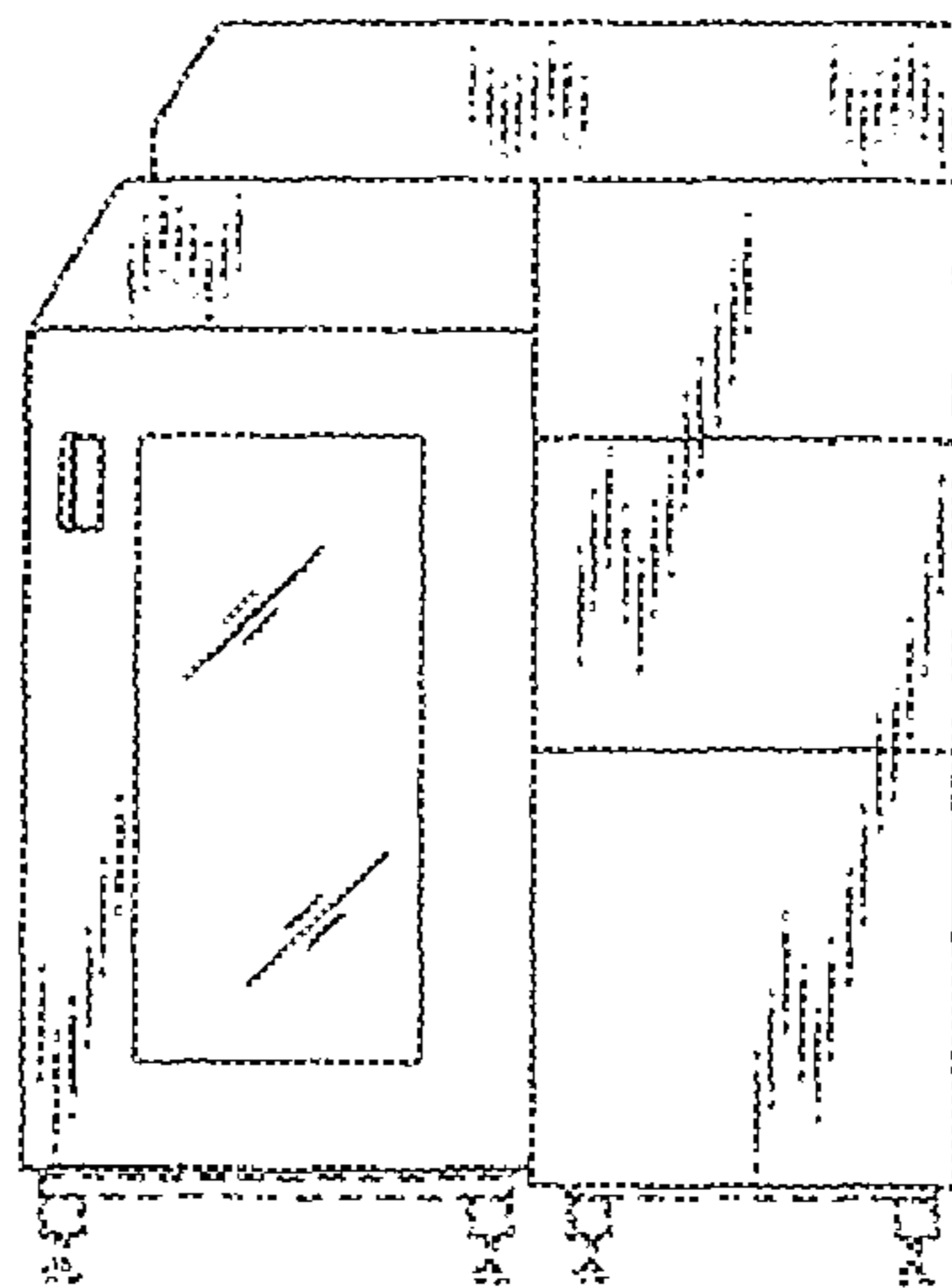


Fig. 6

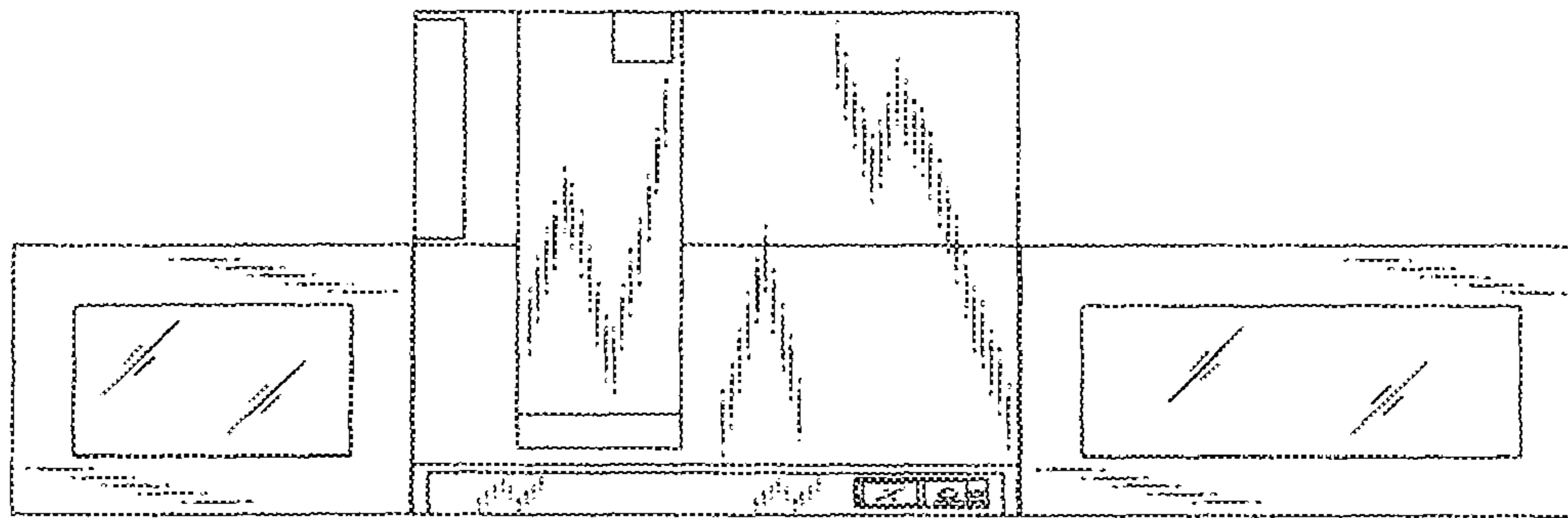


Fig. 7

