



US00D663761S

(12) **United States Design Patent**
Kato et al.

(10) **Patent No.:** **US D663,761 S**
(45) **Date of Patent:** **** Jul. 17, 2012**

(54) **VISUAL PRESENTER**

(75) Inventors: **Tetsuro Kato**, Aichi (JP); **Hiroshi Yamakose**, Aichi (JP)

(73) Assignee: **Elmo Co., Ltd.**, Aichi (JP)

(**) Term: **14 Years**

(21) Appl. No.: **29/402,488**

(22) Filed: **Sep. 23, 2011**

(30) **Foreign Application Priority Data**

Mar. 28, 2011 (JP) D2011-006941

(51) **LOC (9) Cl.** **16-02**

(52) **U.S. Cl.** **D16/232; D14/423**

(58) **Field of Classification Search** D16/208,
D16/221, 229, 232, 235; D14/423; 348/373,
348/375–376; 353/119, 120, DIG. 3, DIG. 4;
396/428, 432

See application file for complete search history.

(56) **References Cited**

U.S. PATENT DOCUMENTS

D425,098	S *	5/2000	Oh	D16/232
D569,890	S *	5/2008	Sukenari et al.	D16/232
D603,889	S *	11/2009	Sukenari et al.	D16/232
D626,164	S	10/2010	Kato et al.		
7,815,378	B2 *	10/2010	Sukenari et al.	348/373
D633,126	S *	2/2011	Park	D16/232
7,927,027	B2 *	4/2011	Yamakose et al.	396/428
D642,608	S *	8/2011	Kato	D16/232
8,073,323	B2 *	12/2011	Doi et al.	396/432
2010/0188562	A1 *	7/2010	Yamakose et al.	348/373

OTHER PUBLICATIONS

Elmo. [Retrieved on Mar. 15, 2012]. Retrieved from the Internet:
<URL: http://www.c6920631.myzen.co.uk/71/special_offers/Elmo/L-lex-visualiser>.*

Office Action mailed Sep. 29, 2011 in corresponding JP Design application No. 2011-006941 (and English translation).

* cited by examiner

Primary Examiner — Wan Laymon

(74) *Attorney, Agent, or Firm* — Posz Law Group, PLC

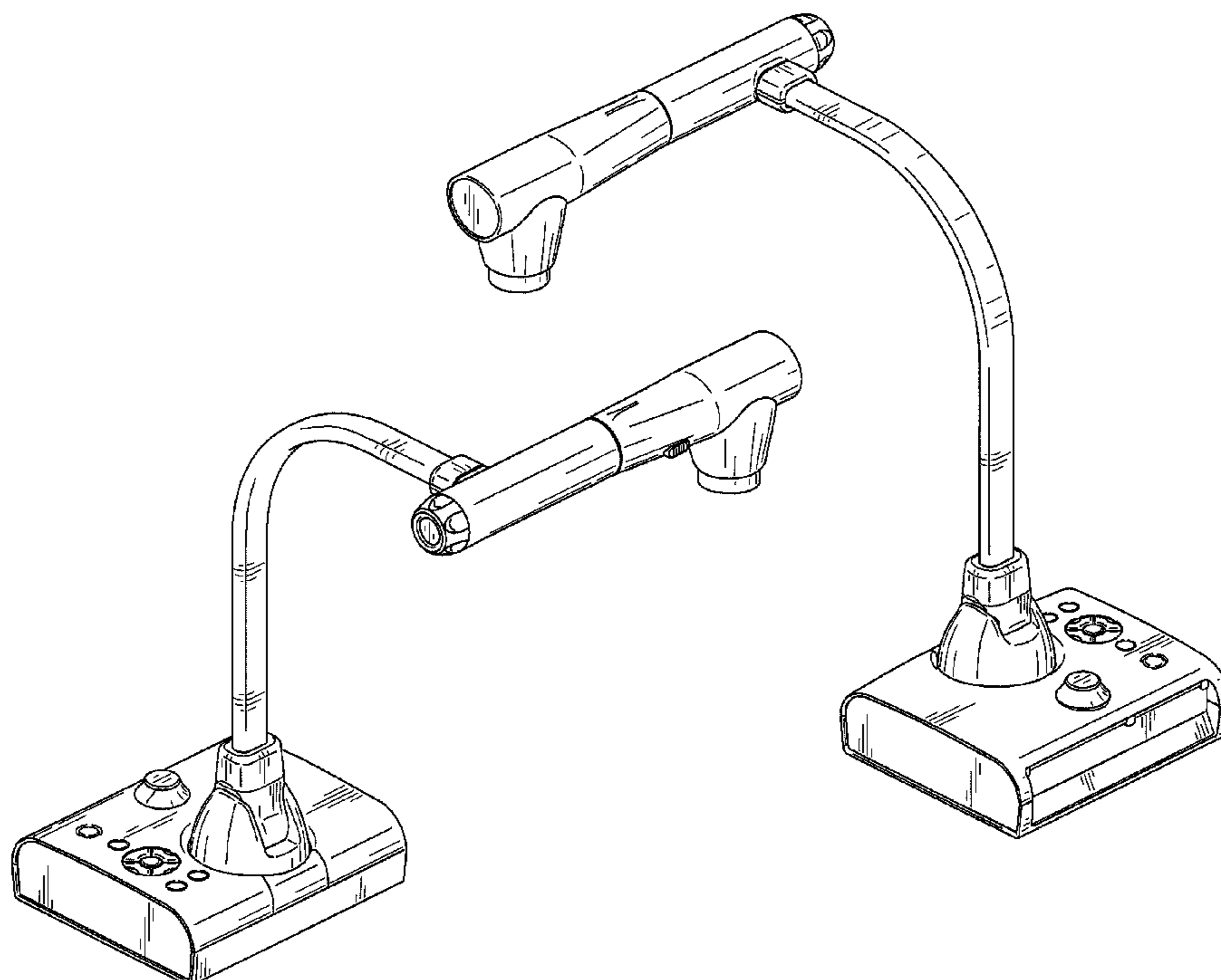
(57) **CLAIM**

The ornamental design for a visual presenter, as shown and described.

DESCRIPTION

FIG. 1 is a front left perspective view of the visual presenter. FIG. 2 is a front view of the visual presenter. FIG. 3 is a rear view of the visual presenter. FIG. 4 is a right side view of the visual presenter. FIG. 5 is a left side view of the visual presenter. FIG. 6 is a top view of the visual presenter. FIG. 7 is a bottom view of the visual presenter. FIG. 8 is a rear right side perspective view of the visual presenter. FIG. 9 is a reference perspective view of the visual presenter. FIG. 10 is a reference perspective view of the visual presenter. FIG. 11 is a reference perspective view of the visual presenter; and, FIG. 12 is a reference perspective view of the visual presenter.

1 Claim, 12 Drawing Sheets



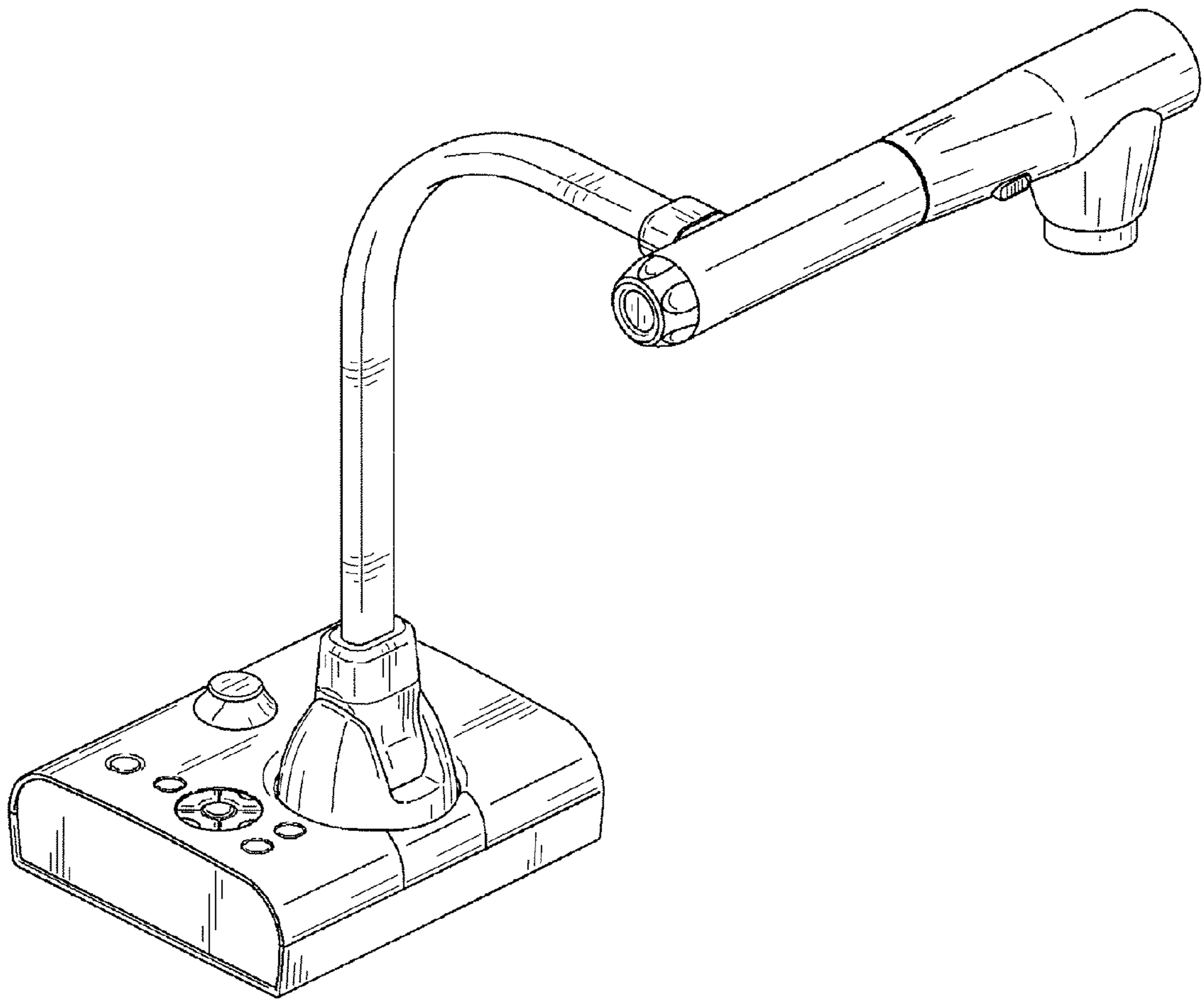


FIG. 1

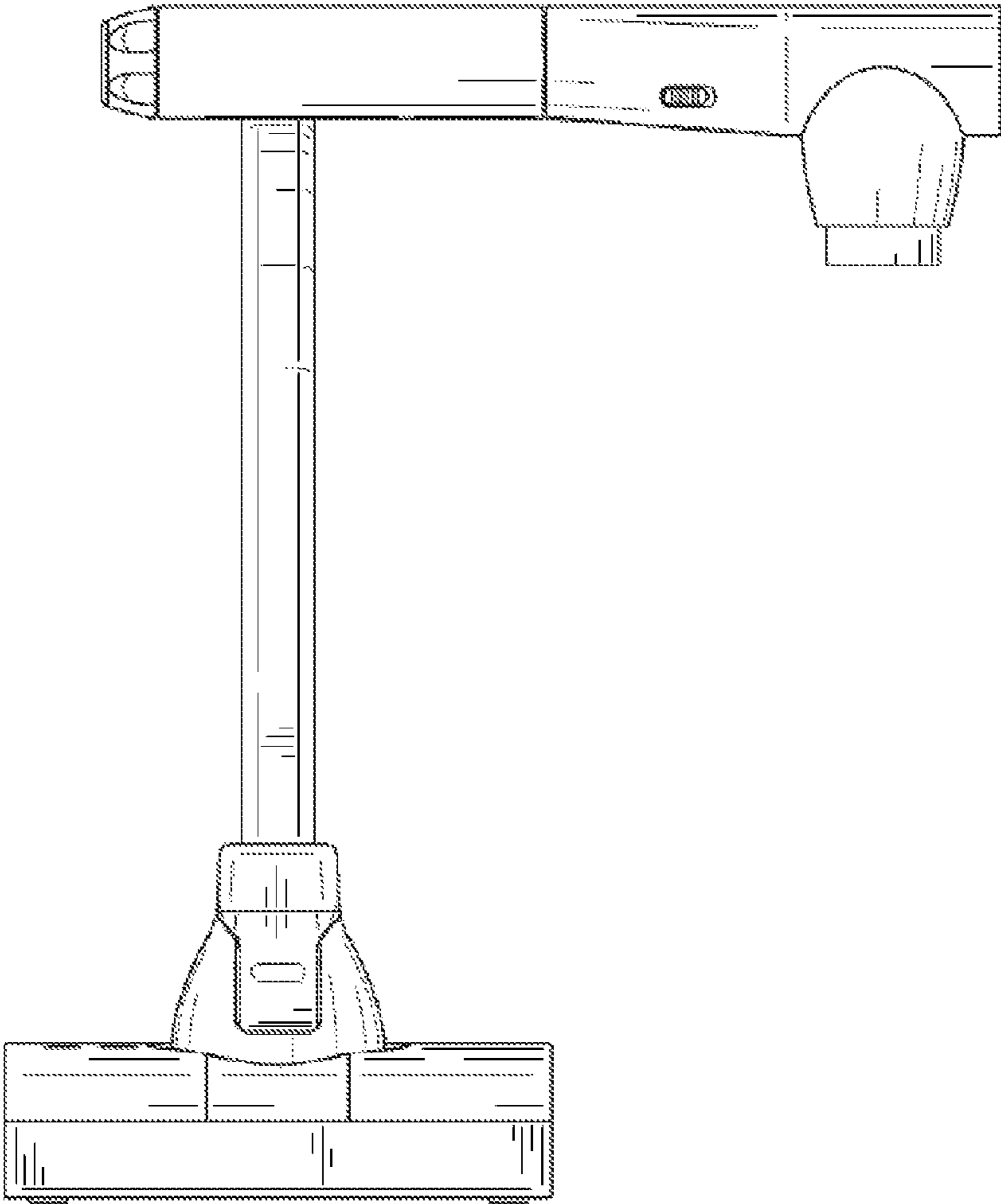


FIG. 2

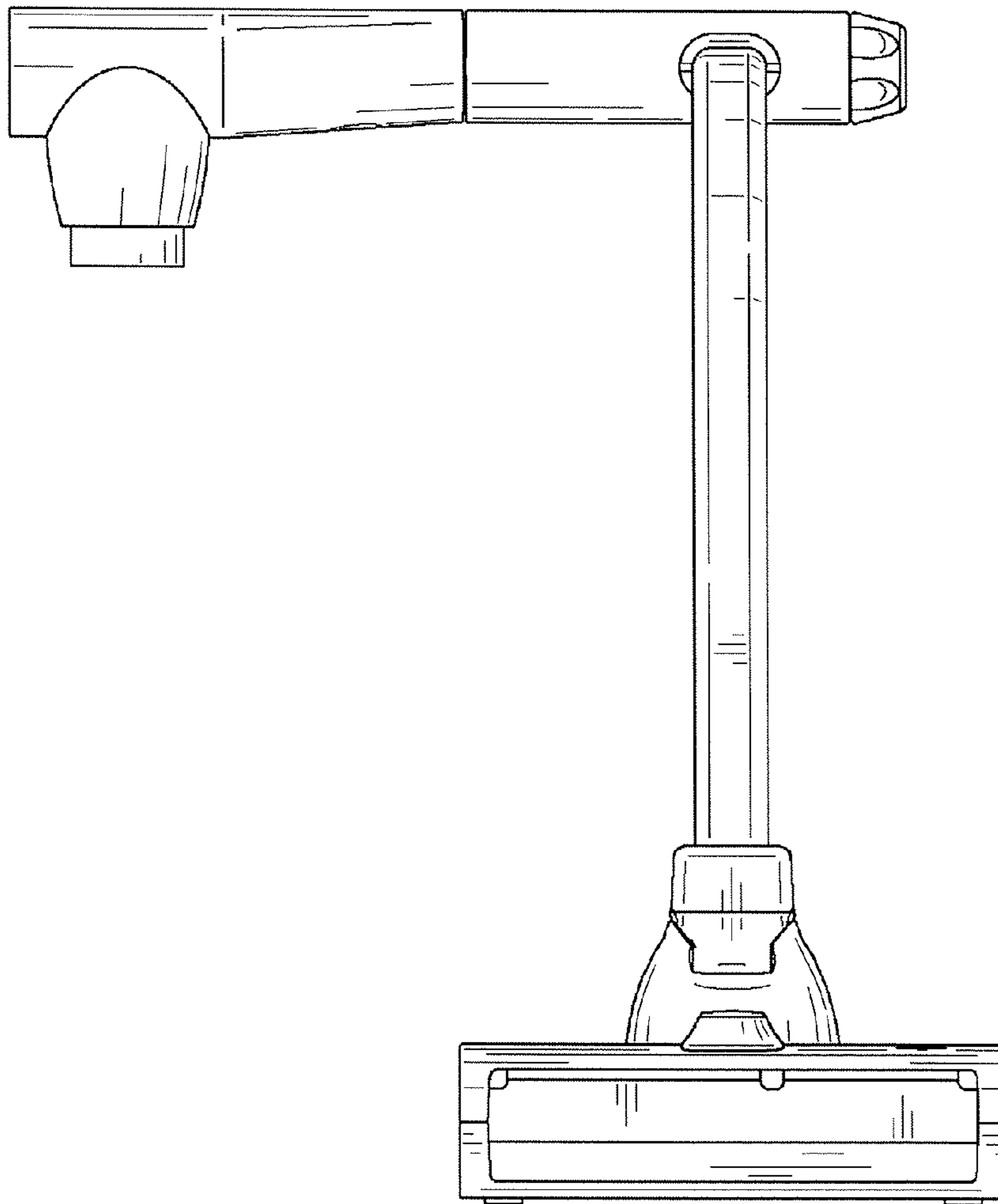


FIG. 3

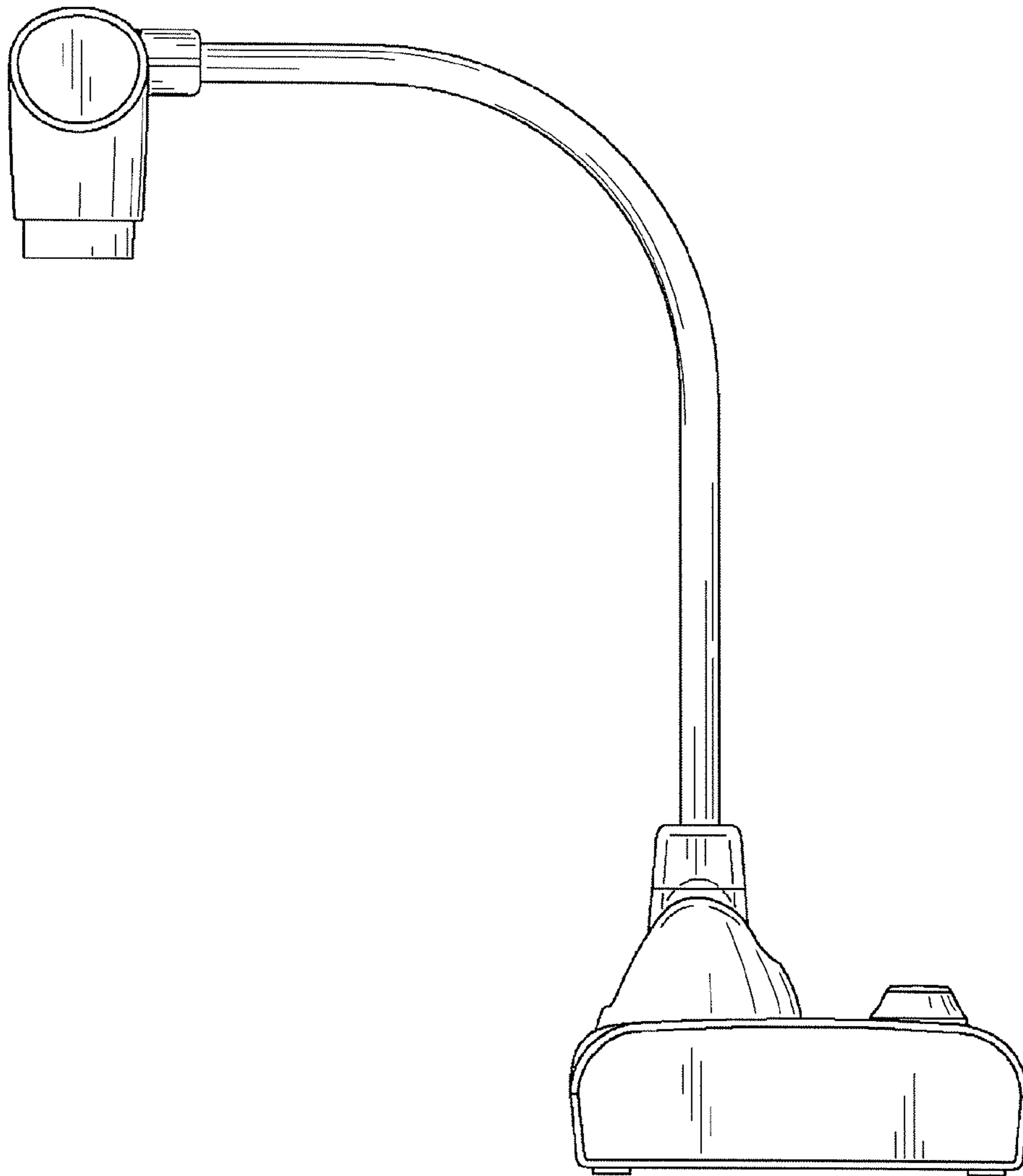


FIG. 4

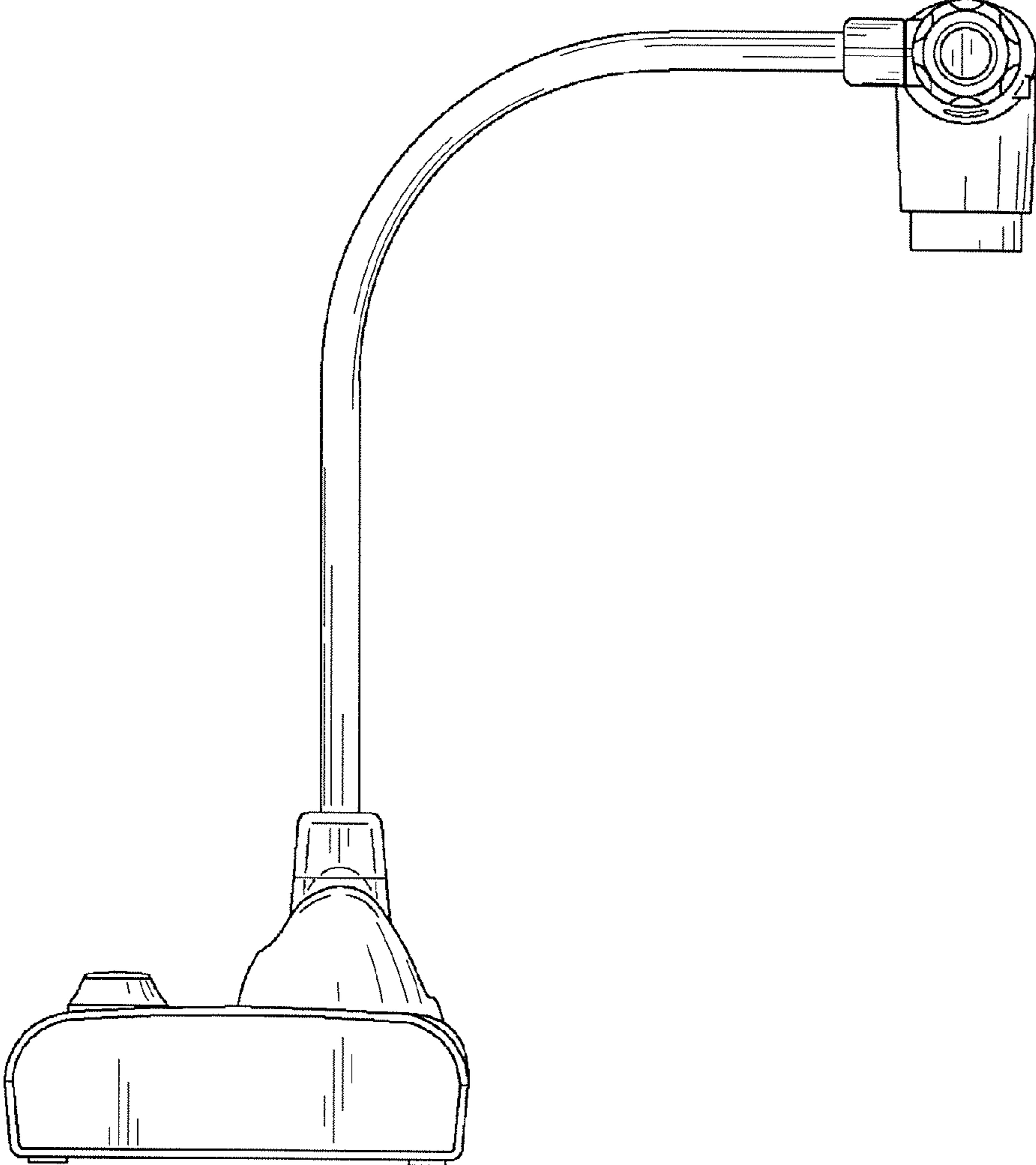


FIG. 5

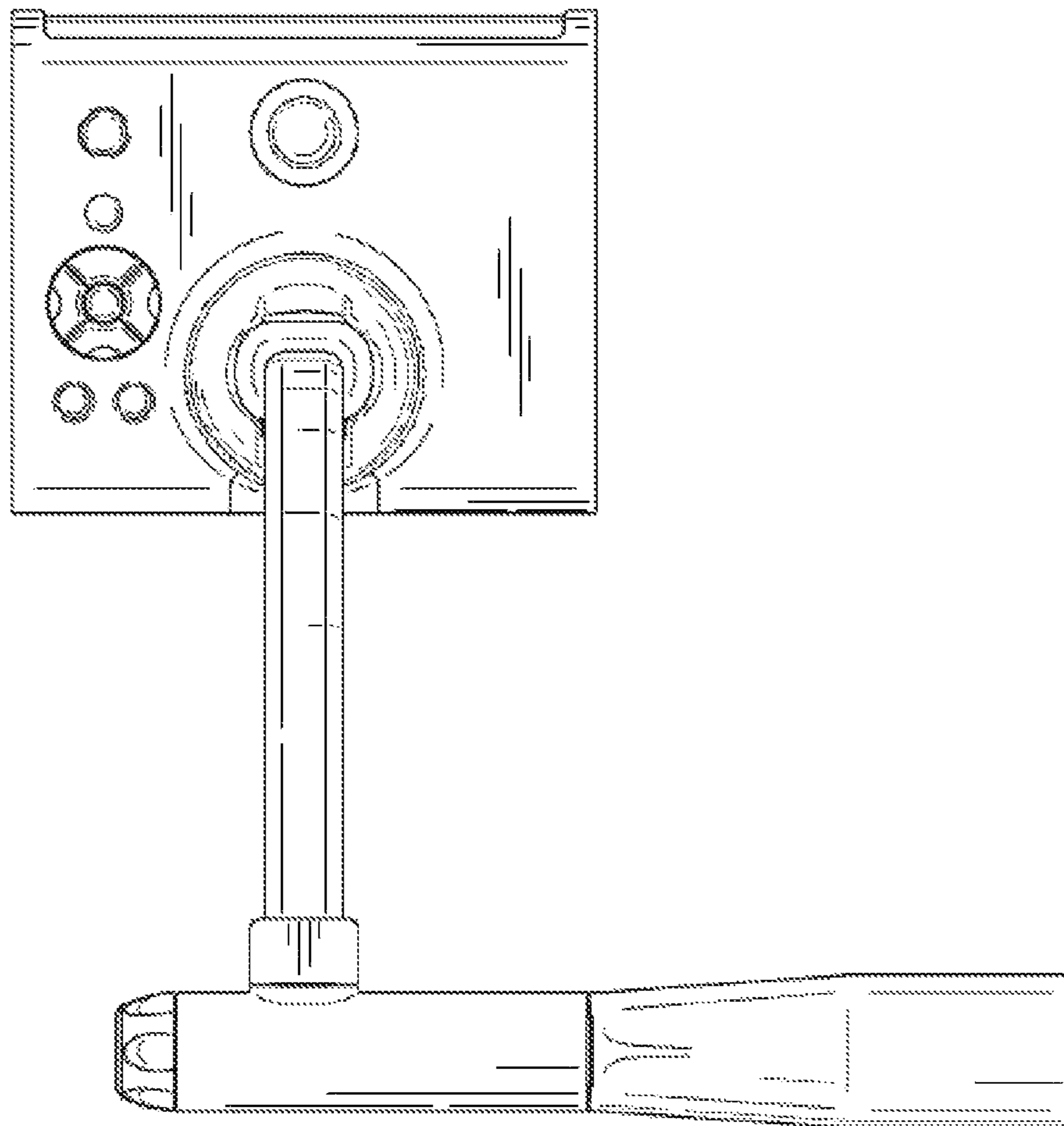


FIG. 6

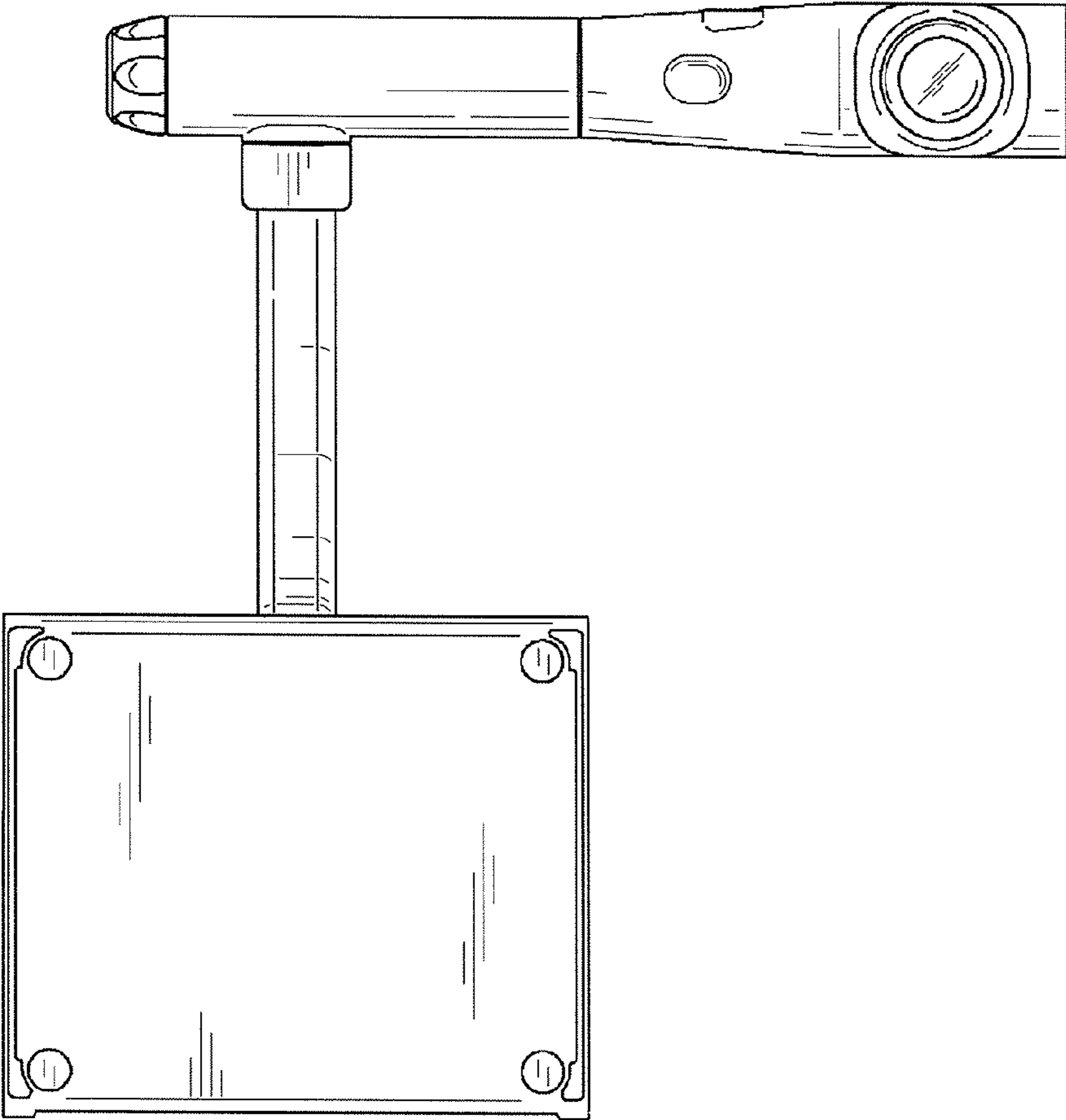


FIG. 7

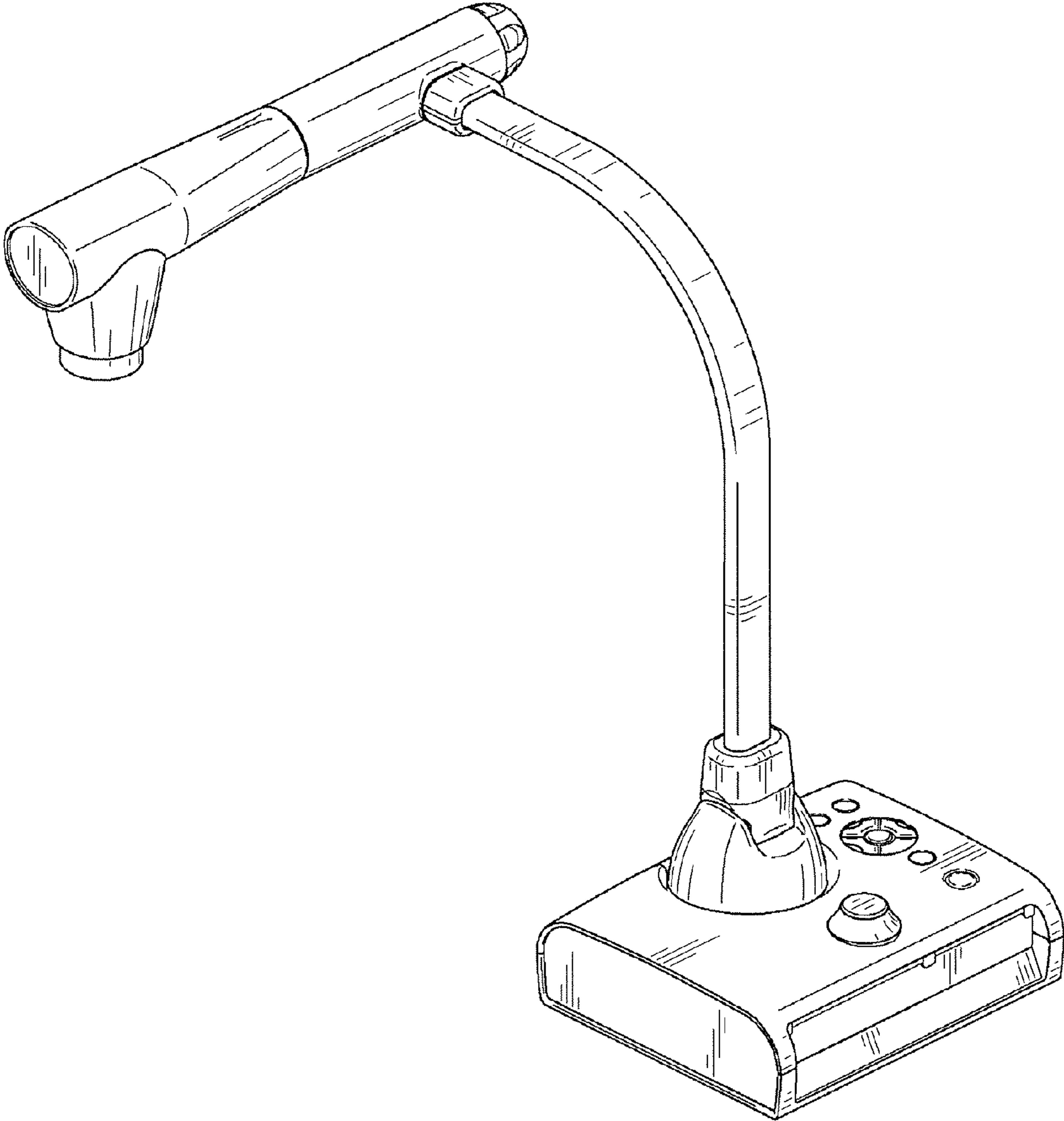


FIG. 8

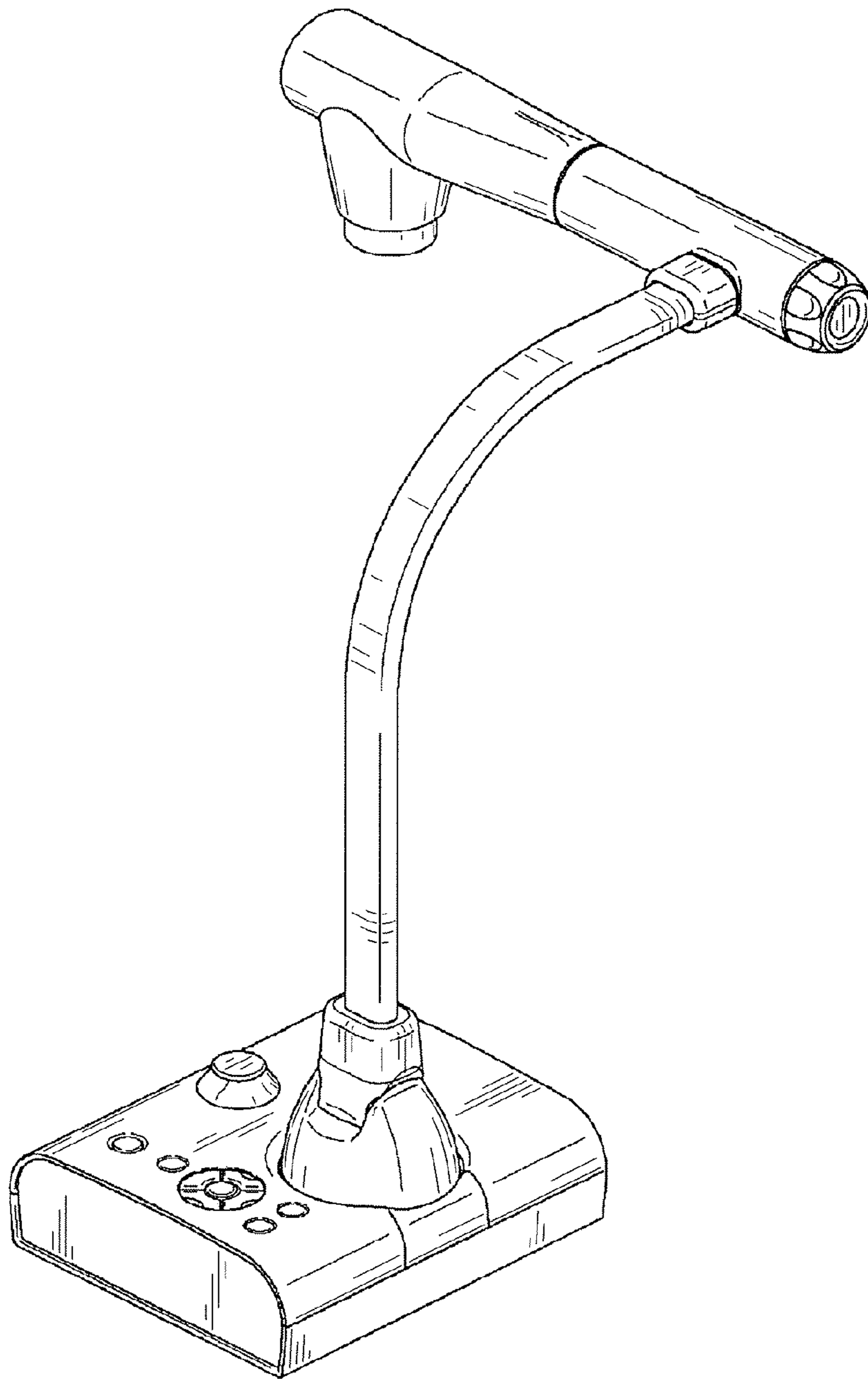


FIG. 9

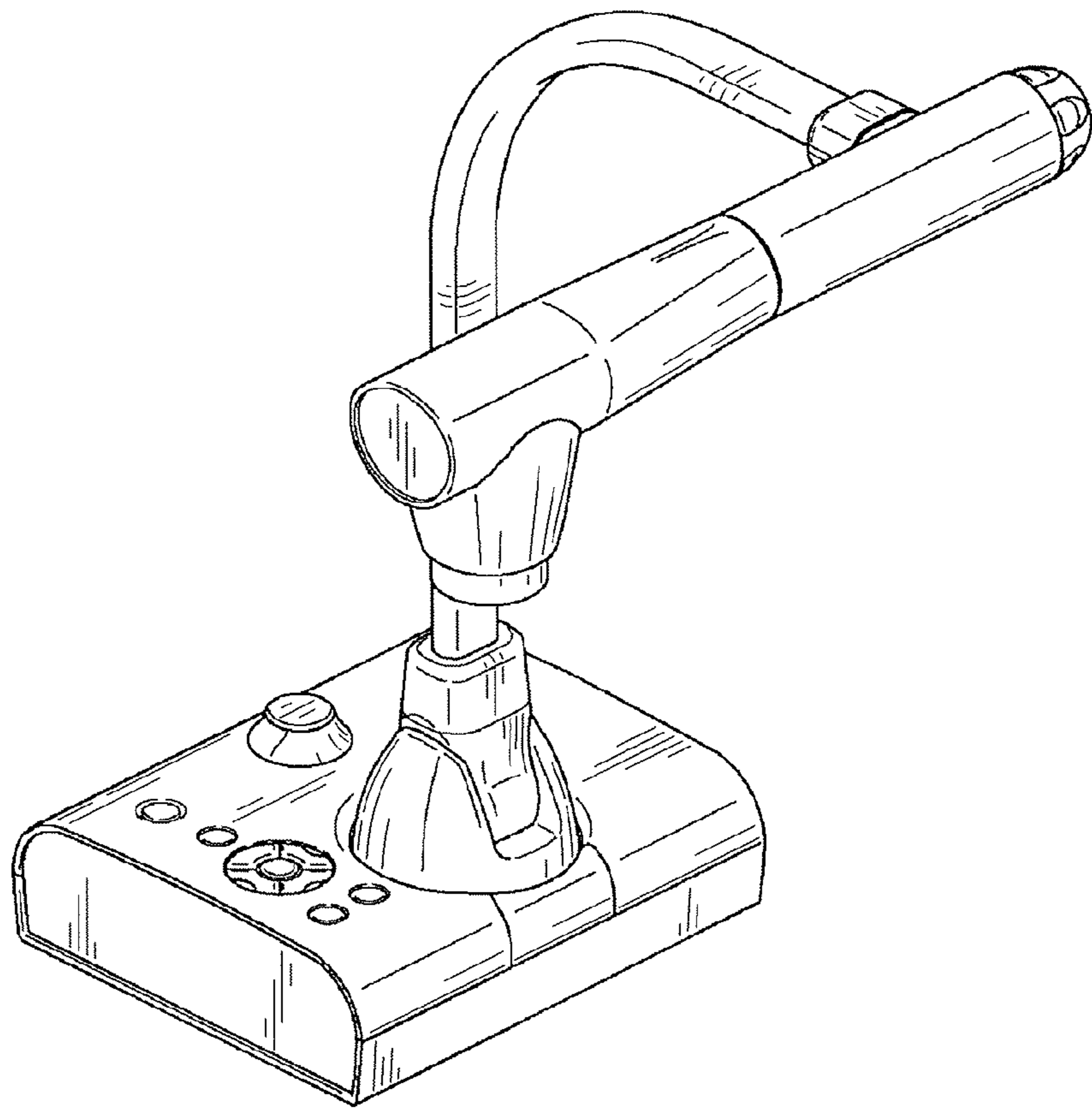


FIG. 10

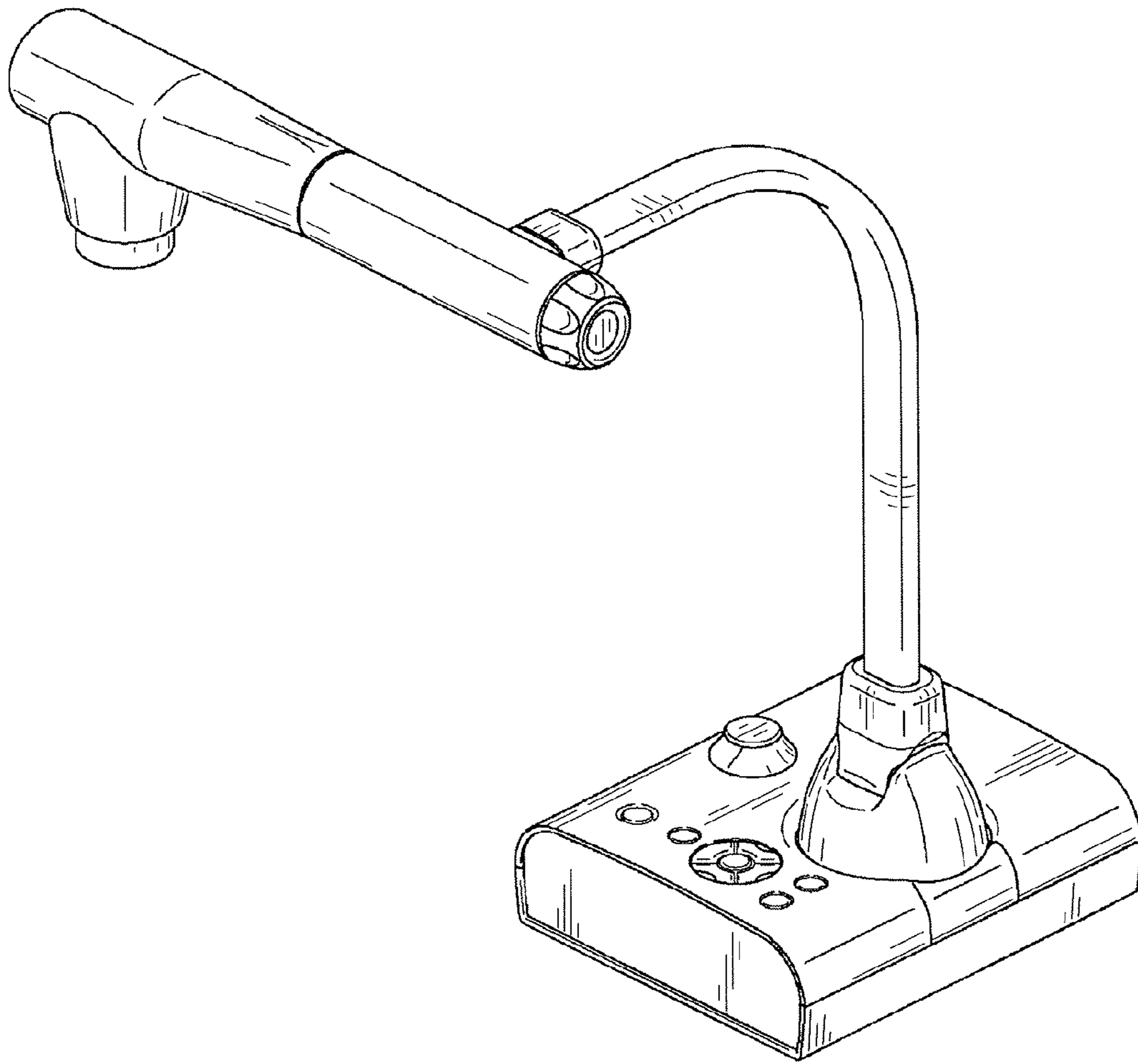


FIG. 11

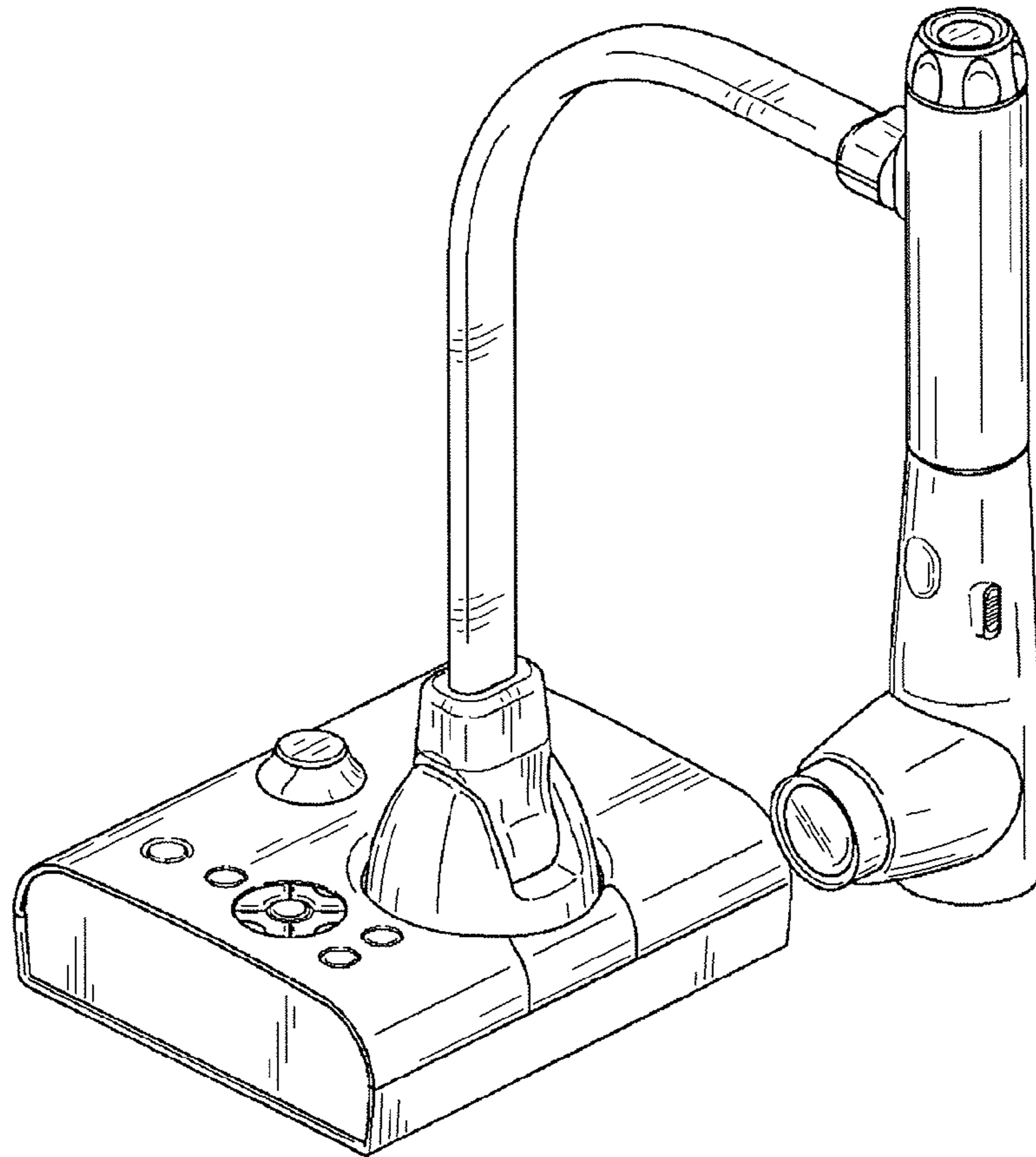


FIG. 12