



US00D663760S

(12) **United States Design Patent**
Miyauchi et al.

(10) **Patent No.:** **US D663,760 S**
(45) **Date of Patent:** **** Jul. 17, 2012**

(54) **PROJECTOR**

(75) Inventors: **Hiroto Miyauchi**, Matsumoto (JP);
Yasutomo Takahashi, Matsumoto (JP);
Yuko Fujikawa, Shiojiri (JP); **Masayuki**
Okoshi, Matsumoto (JP); **Yuji**
Kajihara, Shiojiri (JP)

(73) Assignee: **Seiko Epson Corporation**, Tokyo (JP)

(**) Term: **14 Years**

(21) Appl. No.: **29/404,638**

(22) Filed: **Oct. 24, 2011**

(30) **Foreign Application Priority Data**

Aug. 26, 2011 (JP) 2011-019386

(51) **LOC (9) Cl.** **16-02**

(52) **U.S. Cl.** **D16/230; D16/225**

(58) **Field of Classification Search** D16/221,
D16/225, 229, 230-234; D21/514; 353/98,
353/115, 119, 122

See application file for complete search history.

(56) **References Cited**

U.S. PATENT DOCUMENTS

D574,874 S * 8/2008 Suzuki et al. D16/225
D623,678 S * 9/2010 Nakayama et al. D16/225

7,901,092 B2 * 3/2011 Adachi et al. 353/119
D647,941 S * 11/2011 Yuyama D16/230
2010/0321644 A1 * 12/2010 Otsuki et al. 353/98
2010/0321646 A1 * 12/2010 Nakano et al. 353/119
2011/0128510 A1 * 6/2011 Matsumoto et al. 353/98
2011/0279787 A1 * 11/2011 Yoshimura et al. 353/98

FOREIGN PATENT DOCUMENTS

JP 301465324 * 2/2011

* cited by examiner

Primary Examiner — Wan Laymon

(74) *Attorney, Agent, or Firm* — Oliff & Berridge, PLC

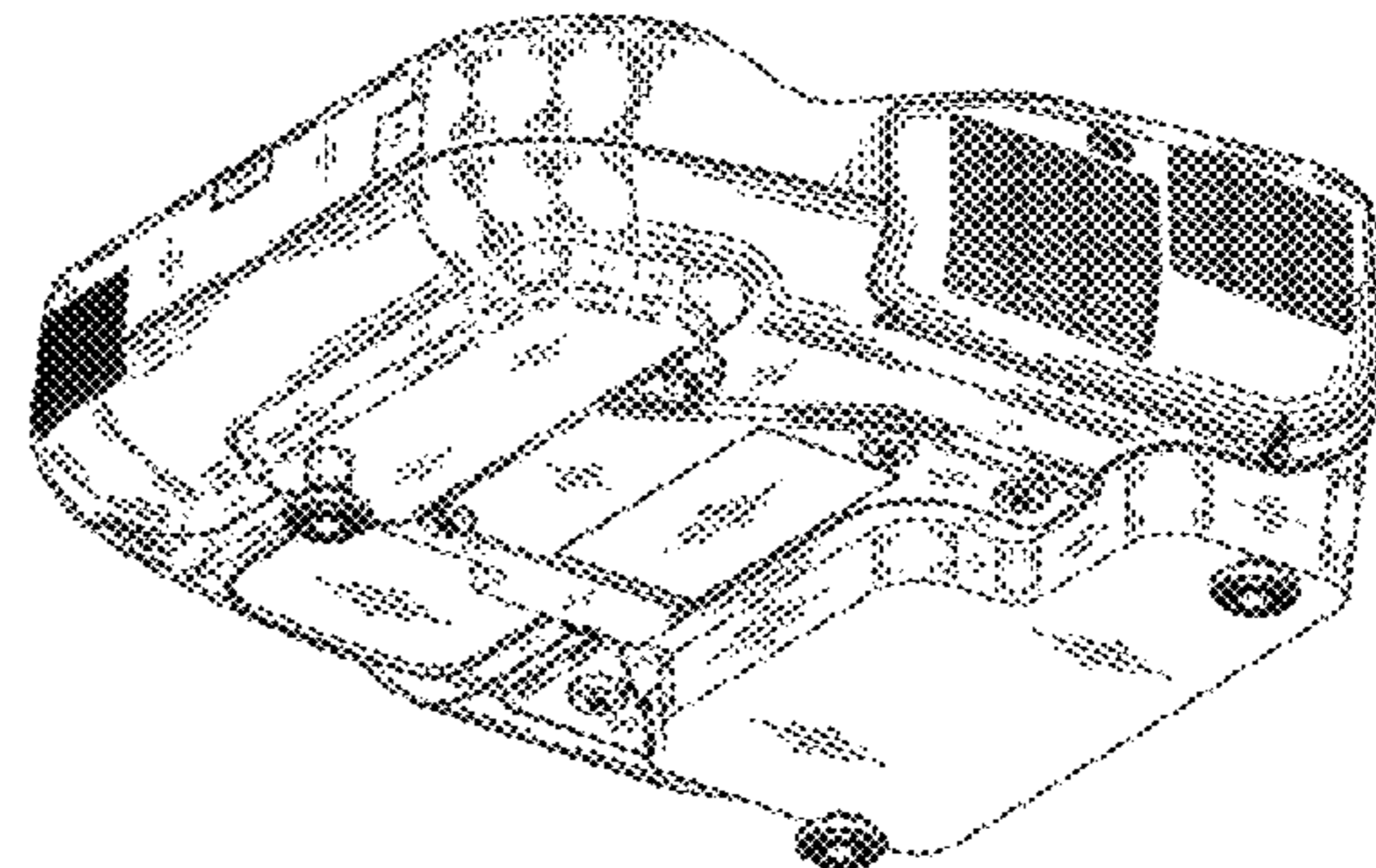
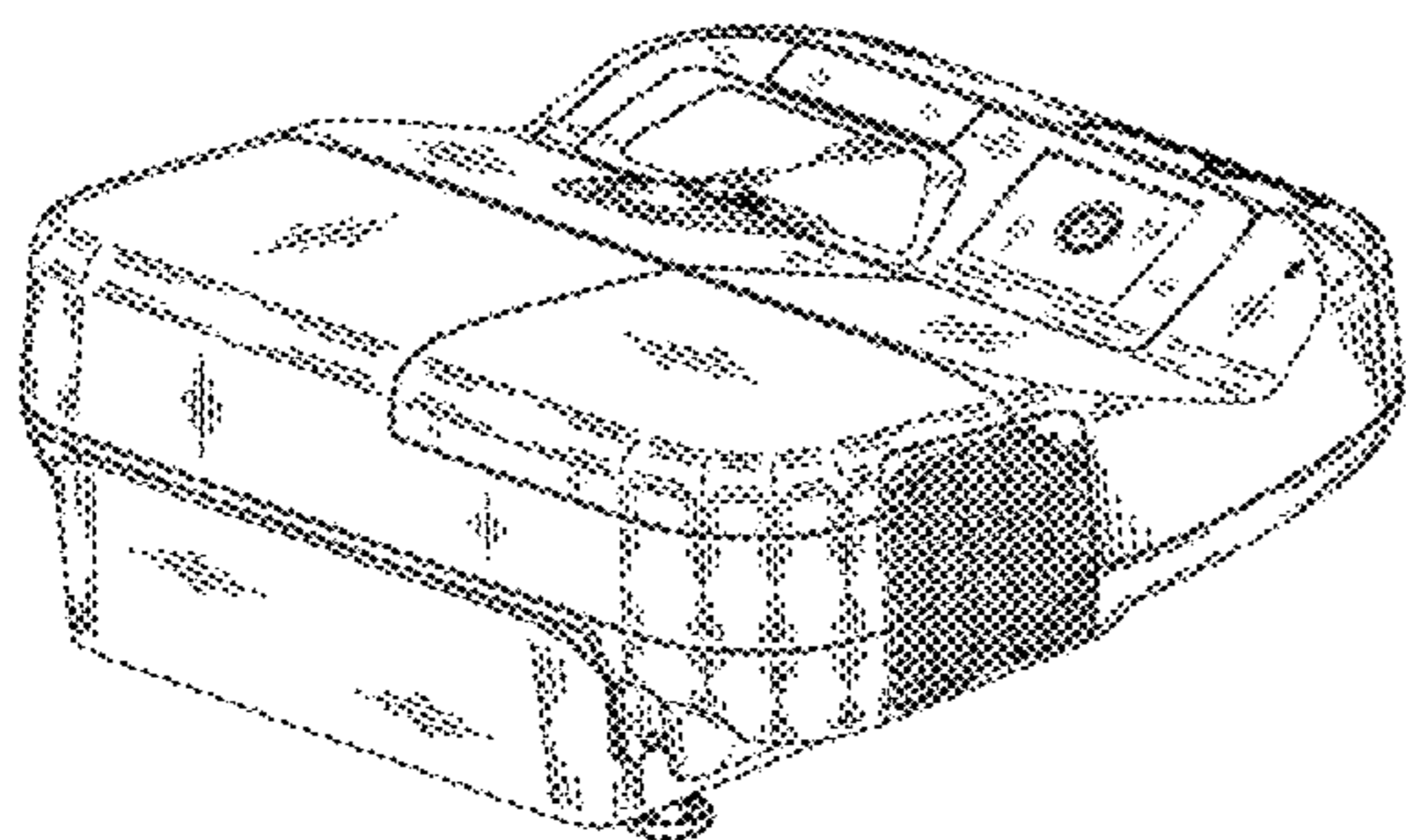
(57) **CLAIM**

The ornamental design for a projector, as shown and described.

DESCRIPTION

FIG. 1 is a top, rear, left-side perspective view of a projector; FIG. 2 is a bottom, front, right-side perspective view thereof; FIG. 3 is front view thereof; FIG. 4 is a rear view thereof; FIG. 5 is a left-side view thereof; FIG. 6 is a right-side view thereof; FIG. 7 is a top view thereof; and, FIG. 8 is a bottom view thereof.

1 Claim, 6 Drawing Sheets



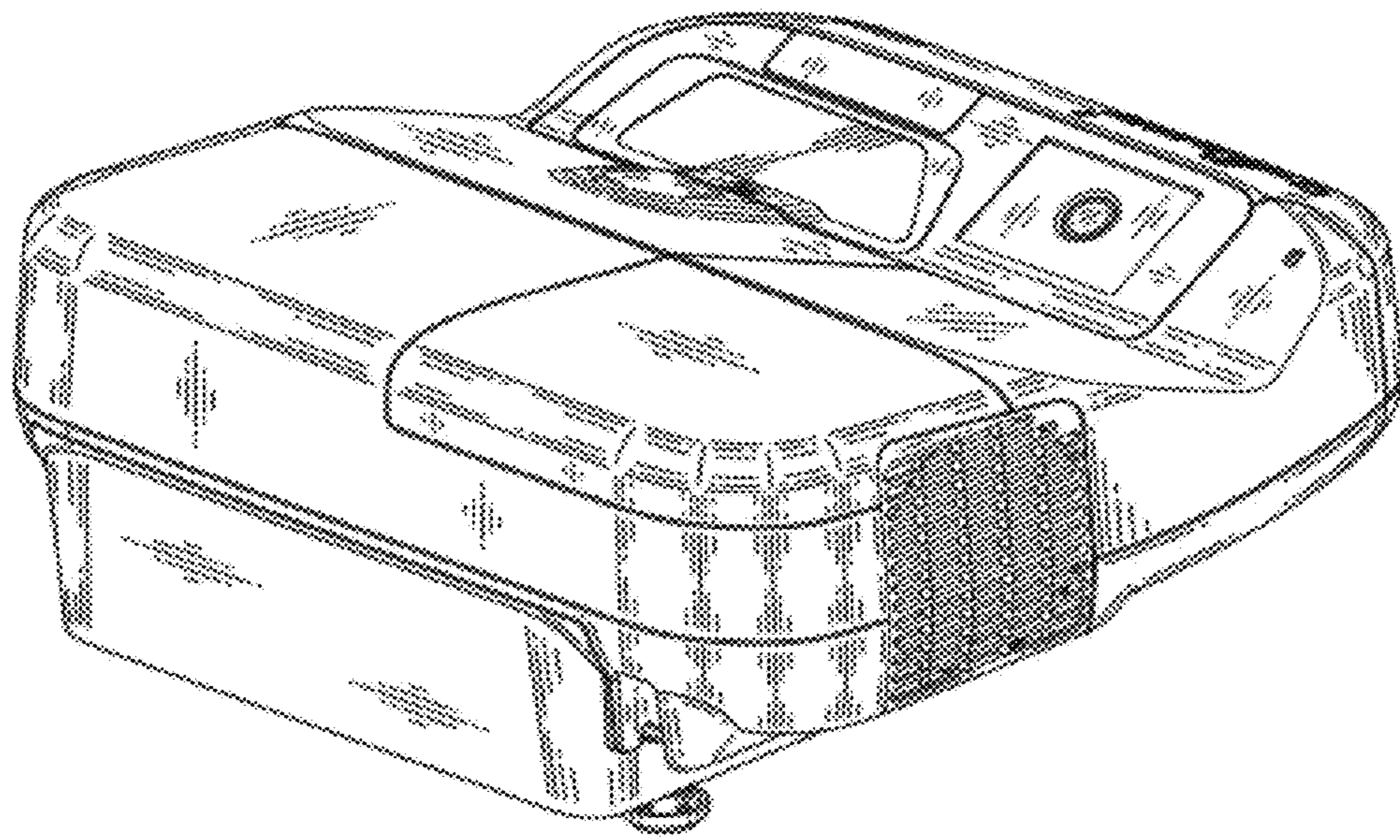


FIG. 1

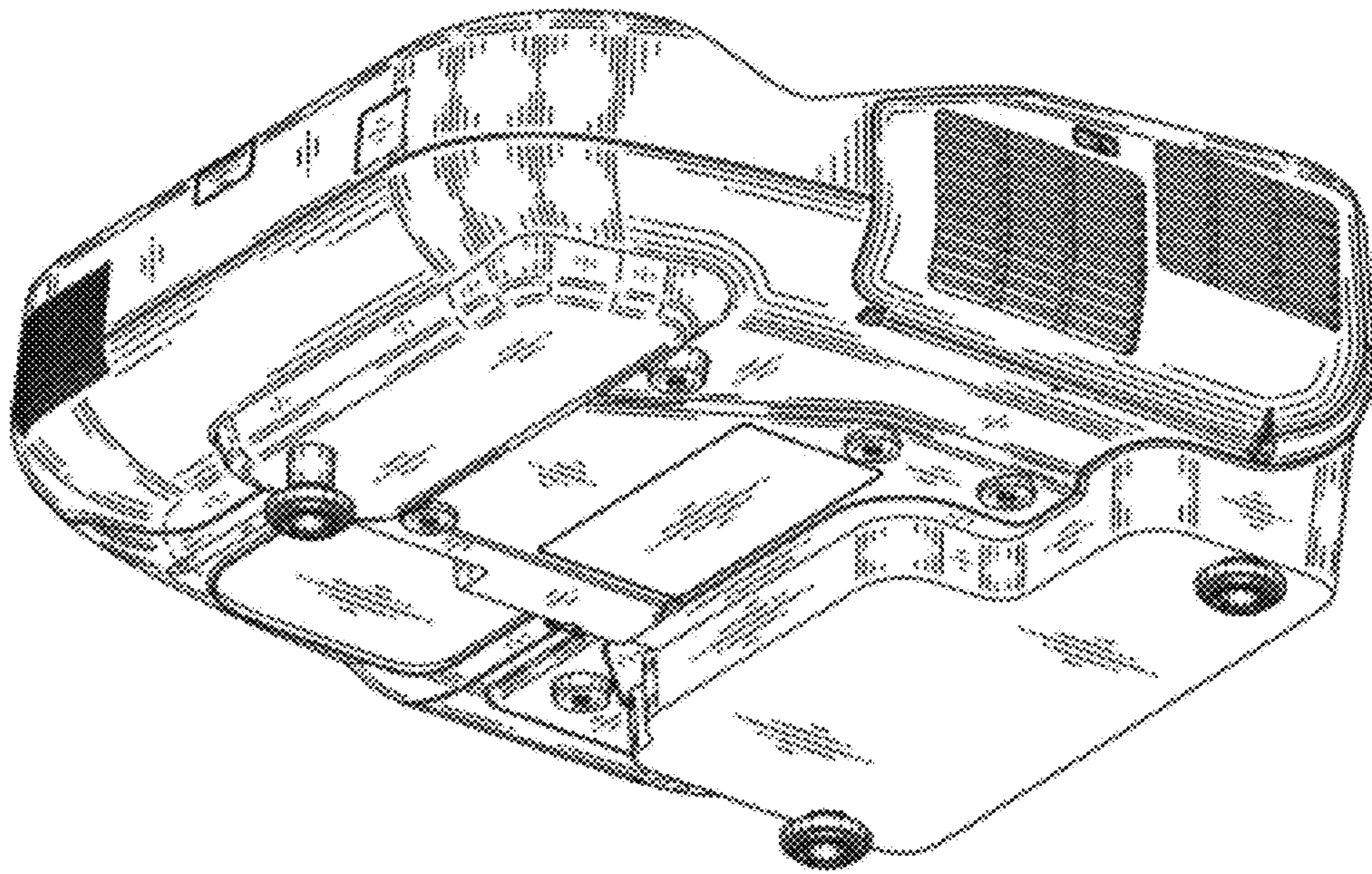


FIG. 2

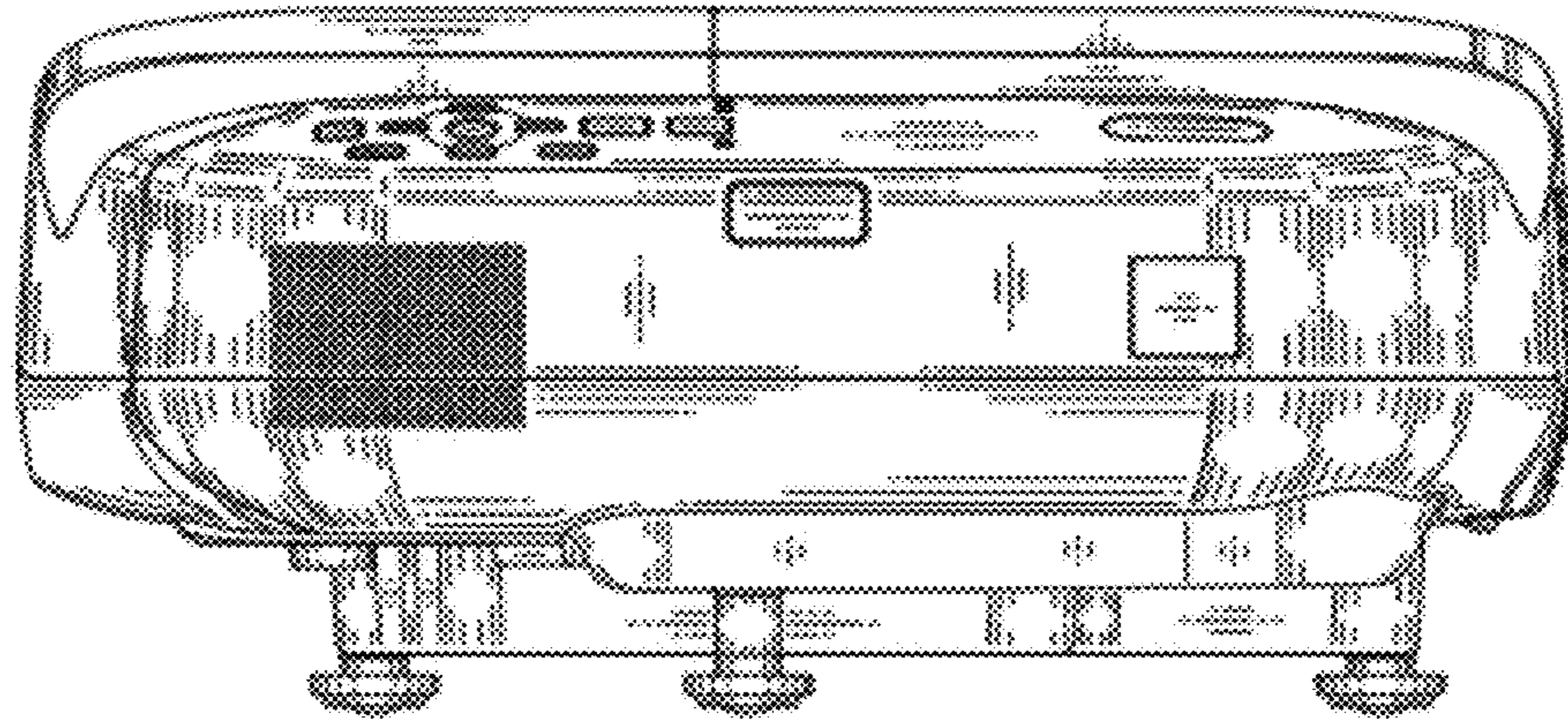


FIG. 3

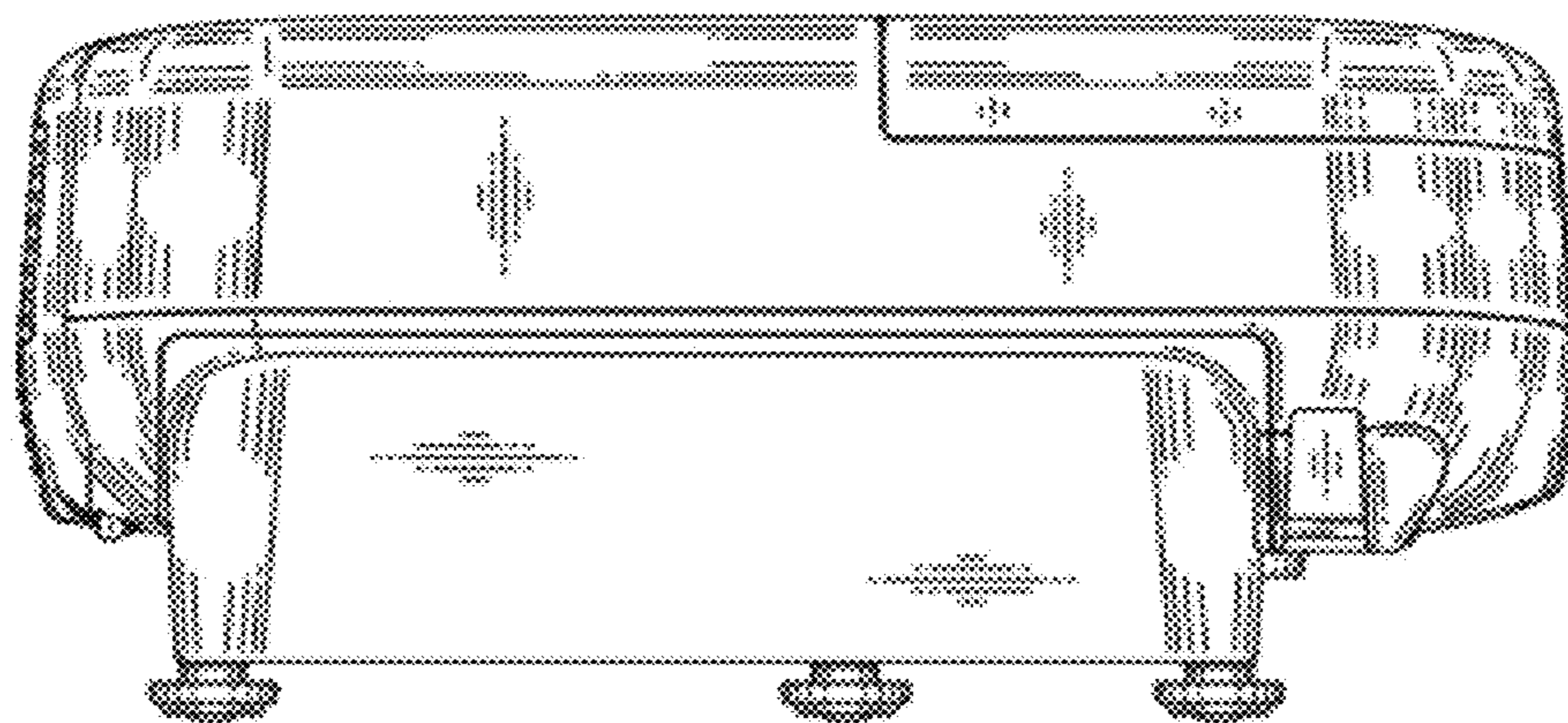


FIG. 4

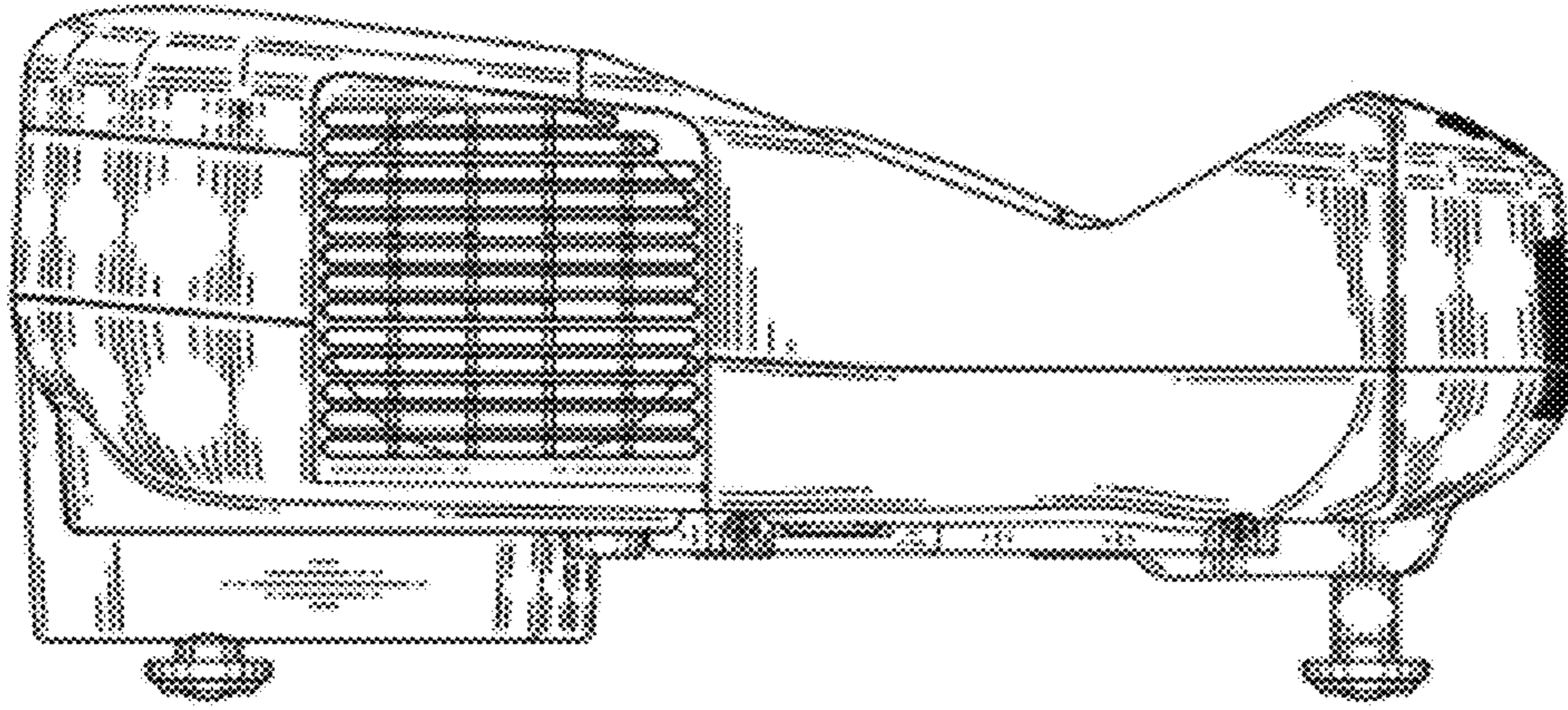


FIG. 5

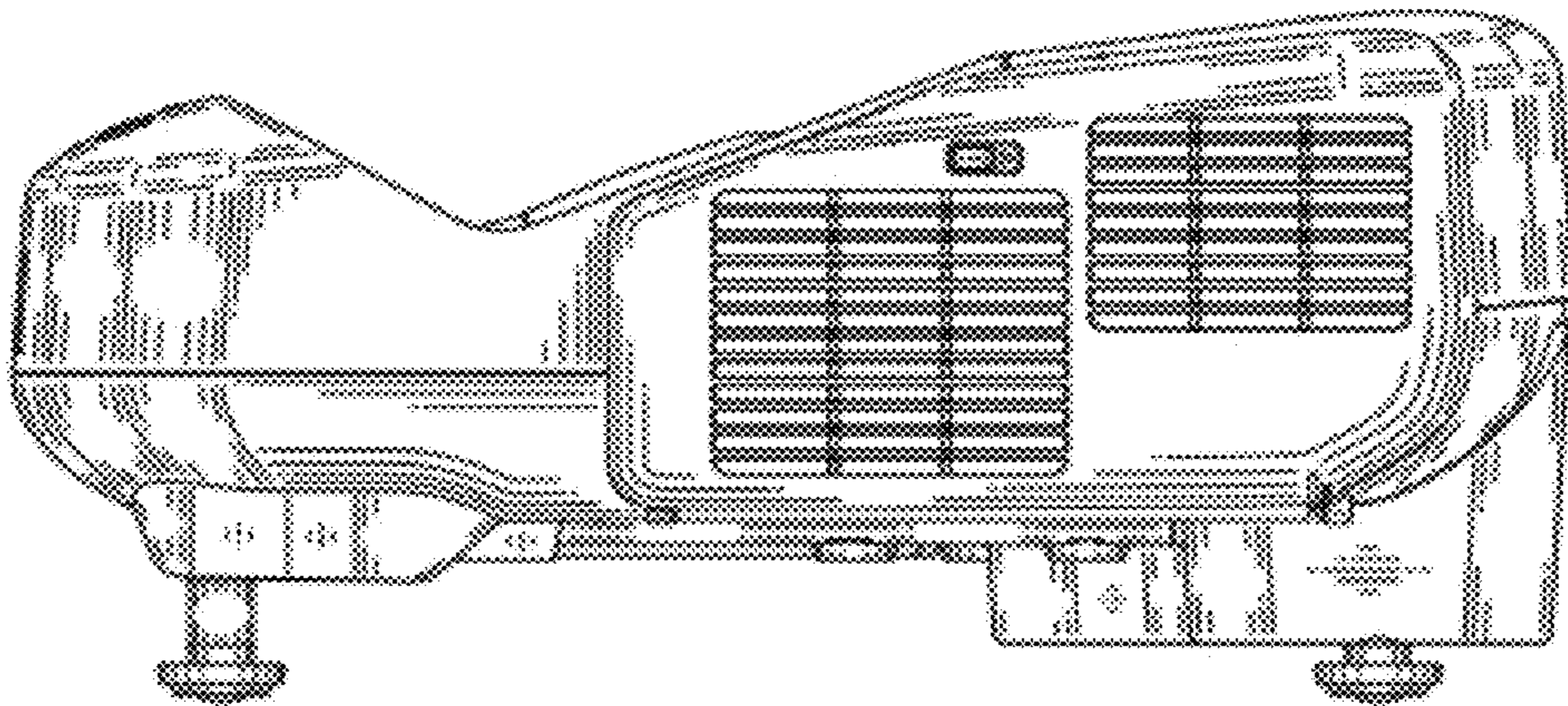


FIG. 6

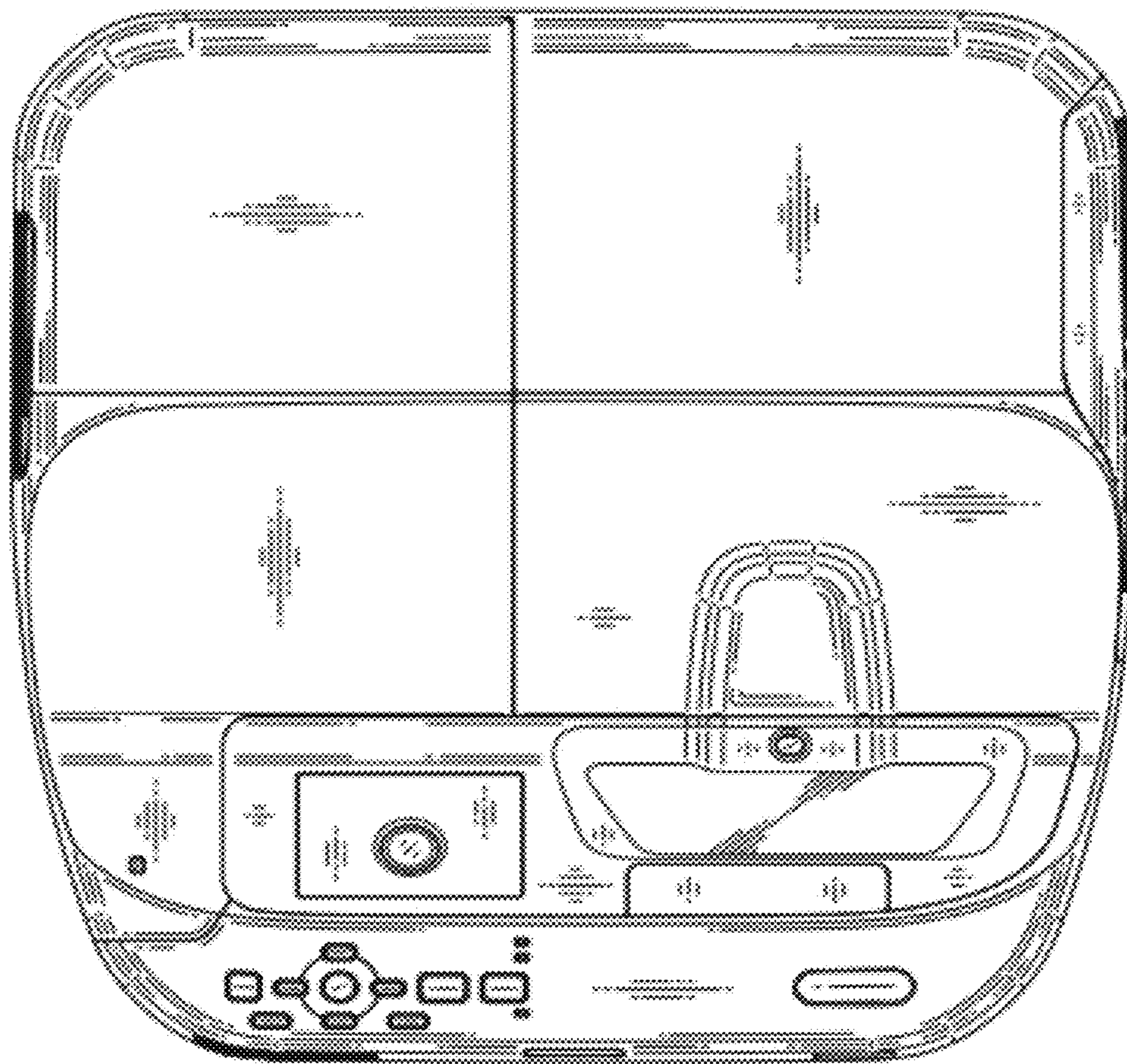


FIG. 7

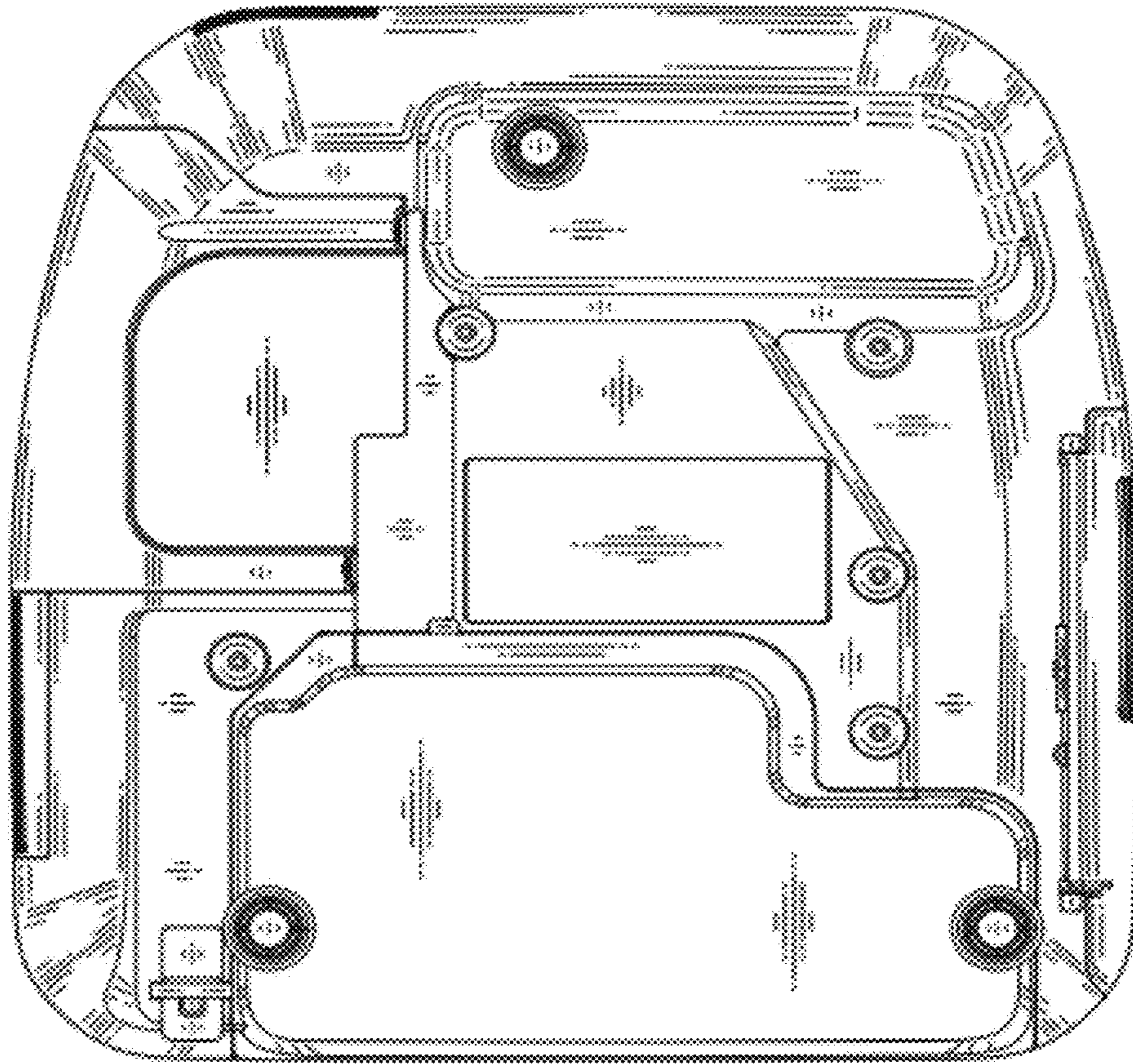


FIG. 8