



US00D663757S

(12) **United States Design Patent**
Thoman et al.

(10) **Patent No.:** **US D663,757 S**
(45) **Date of Patent:** **** Jul. 17, 2012**

(54) **TABLE TENNIS ROBOT**

(75) Inventors: **Lawrence Michael Thoman**, Gallatin, TN (US); **Burak Cevik**, Cincinnati, OH (US)

(73) Assignee: **Newgy Industries, Inc.**, Gallatin, TN (US)

(**) Term: **14 Years**

(21) Appl. No.: **29/377,887**

(22) Filed: **Oct. 27, 2010**

(51) **LOC (9) Cl.** **15-99**

(52) **U.S. Cl.** **D15/199**

(58) **Field of Classification Search** D15/199;
D21/715, 799.2; D24/176; 74/490.01, 490.02,
74/490.03, 490.05; 124/78, 81; 219/124.34,
219/639; 273/30; 318/560; 473/431-434,
473/436, 459, 460, 462, 475
See application file for complete search history.

(56) **References Cited**

U.S. PATENT DOCUMENTS

3,878,827	A *	4/1975	Newgarden, Jr.	124/81
D279,572	S *	7/1985	Yasuoka et al.	D15/199
4,765,618	A *	8/1988	Daley	473/431
4,844,458	A	7/1989	Gatchel et al.	
4,854,588	A	8/1989	Gatchel et al.	
4,917,380	A	4/1990	Gatchel et al.	
5,009,421	A	4/1991	Gatchel et al.	
D344,279	S *	2/1994	Koyama et al.	D15/199
5,335,905	A	8/1994	Newgarden, Jr.	
5,485,995	A *	1/1996	Newgarden, Jr.	124/49
5,515,599	A *	5/1996	Best	29/705
5,566,936	A	10/1996	Newgarden et al.	
5,658,121	A *	8/1997	Hashimoto	414/744.1

6,371,872	B1 *	4/2002	Daley	473/460
6,406,386	B1	6/2002	Brazzell	
6,604,517	B1 *	8/2003	Chao et al.	124/16
6,729,980	B1	5/2004	Lu et al.	
7,213,724	B1 *	5/2007	Langer et al.	221/289
7,722,485	B2 *	5/2010	Balasubramanyan	473/422
D636,004	S *	4/2011	Nakagiri et al.	D15/199
D642,352	S *	7/2011	Chen et al.	D34/28
8,079,922	B1 *	12/2011	Paterson	473/434
D651,627	S *	1/2012	Long	D15/199
2001/0006915	A1 *	7/2001	Minami et al.	473/496
2007/0087867	A1 *	4/2007	Morshed et al.	473/459
2007/0221187	A1 *	9/2007	Chen	124/59
2007/0238555	A1 *	10/2007	Fang	473/431
2009/0011872	A1 *	1/2009	Zhang	473/459
2009/0260612	A1 *	10/2009	Grant et al.	124/78

* cited by examiner

Primary Examiner — Patricia Palasik

(74) *Attorney, Agent, or Firm* — Polster Lieder Woodruff & Lucchesi, L.C.

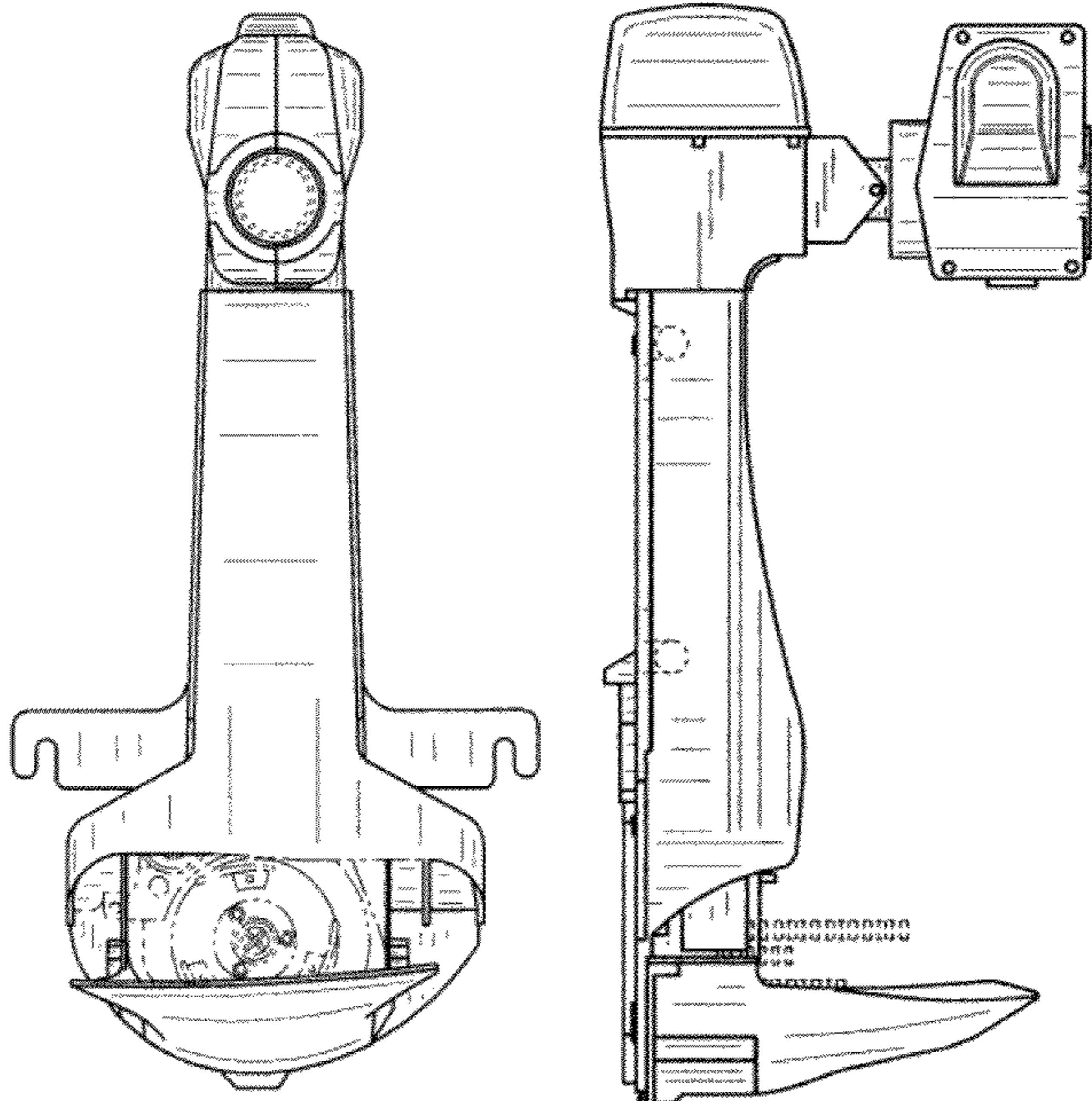
(57) **CLAIM**

The ornamental design for a table tennis robot, as shown and described.

DESCRIPTION

FIG. 1 is a front elevational view of the table tennis robot showing our new design; FIG. 2 is rear elevational view of the table tennis robot showing my new design; FIG. 3 is the right side elevational view thereof; FIG. 4 is the left side elevational view thereof; FIG. 5 is a top plan view thereof; and, FIG. 6 is a bottom plan view thereof. All broken lines are for illustrative purposes only, and form no part of the claimed design.

1 Claim, 2 Drawing Sheets



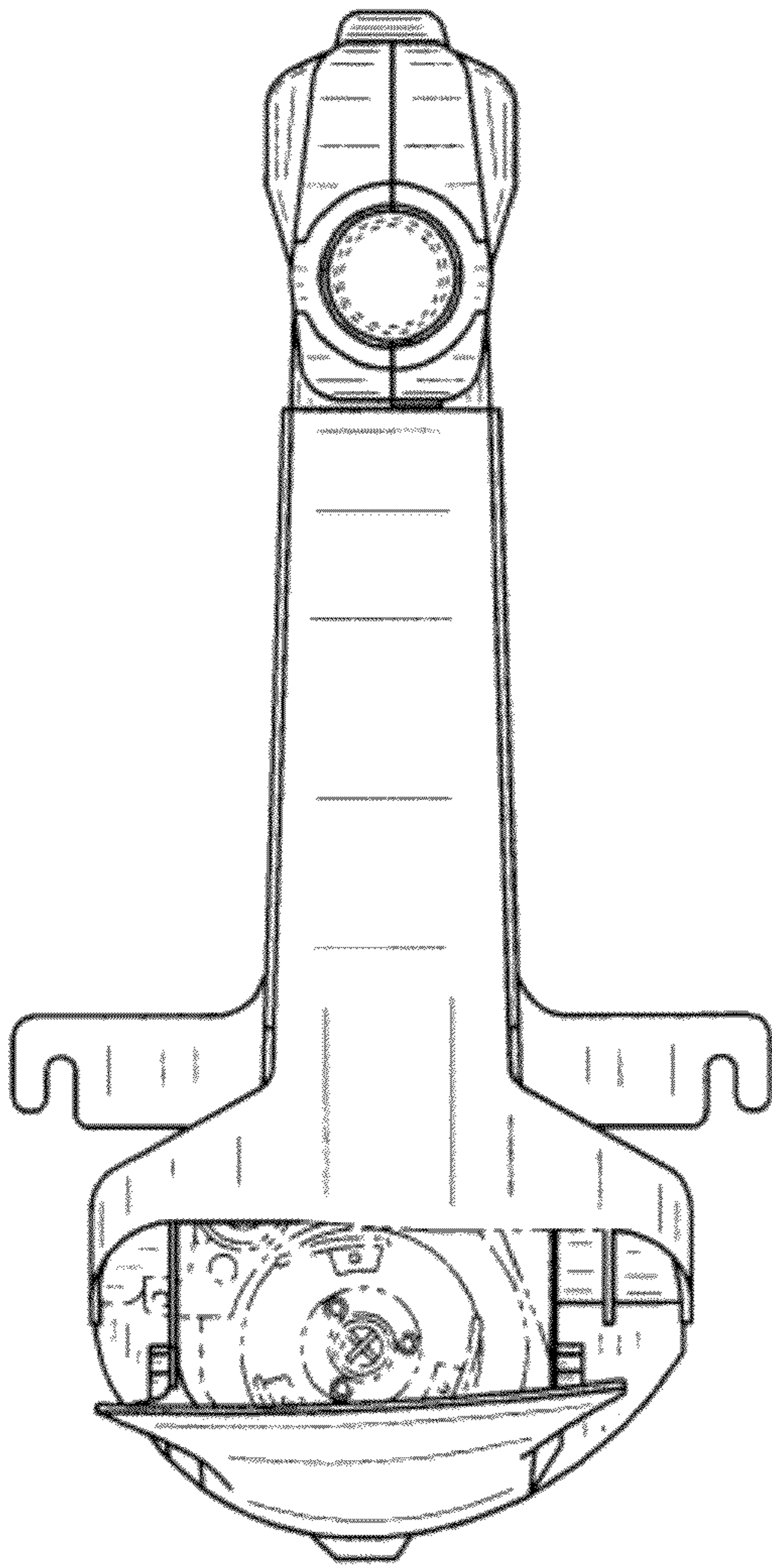


FIG. 1

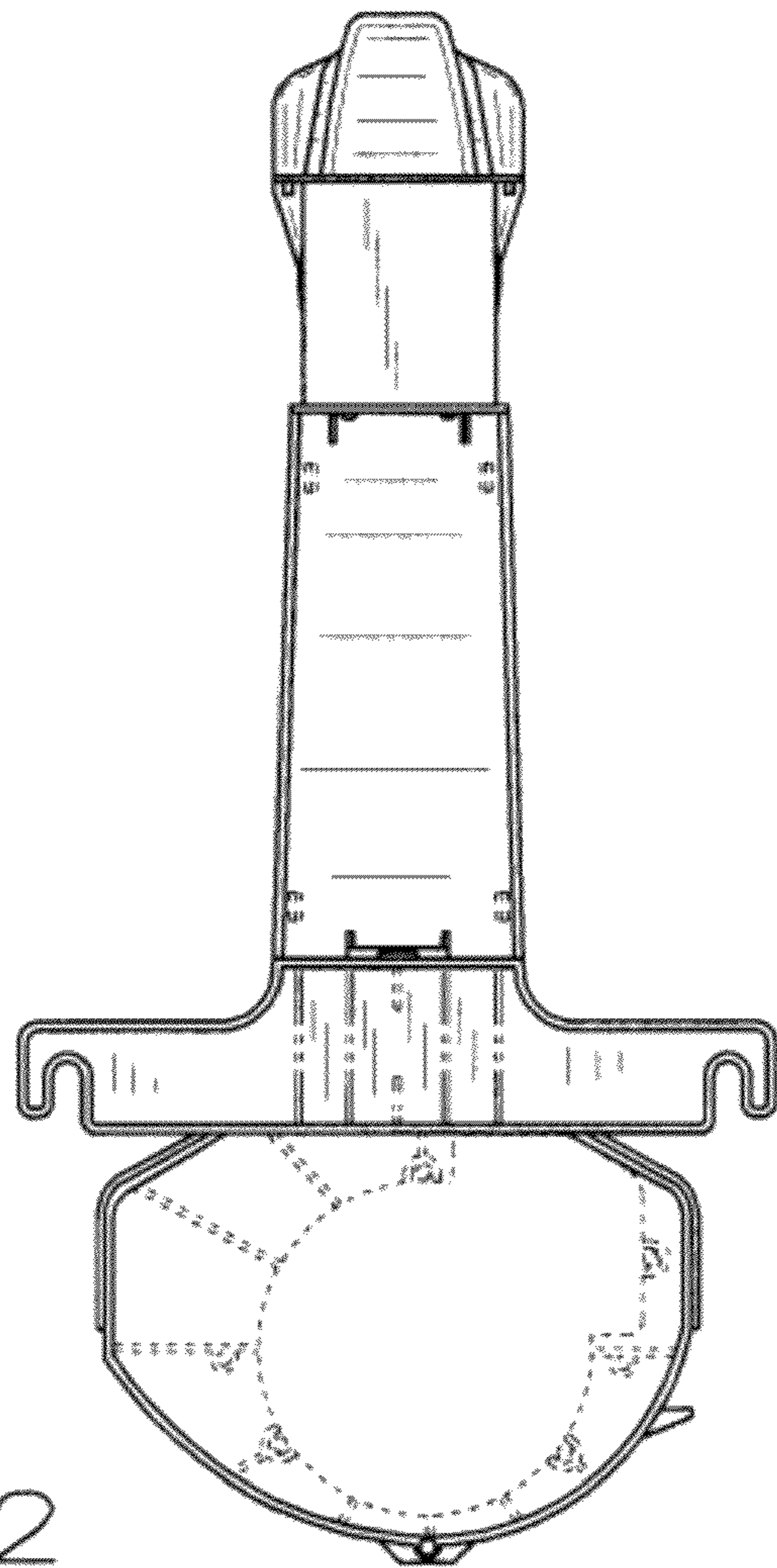


FIG. 2

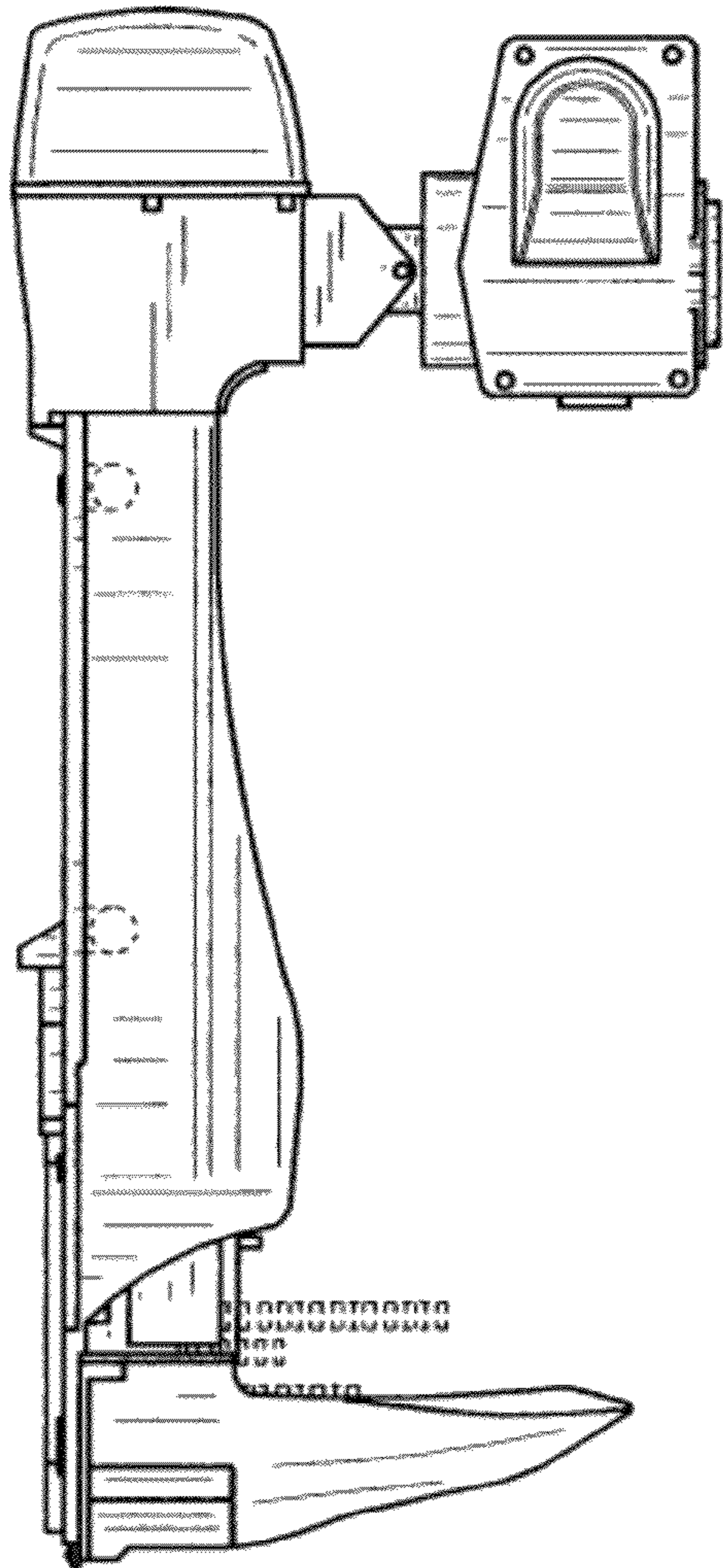


FIG. 3

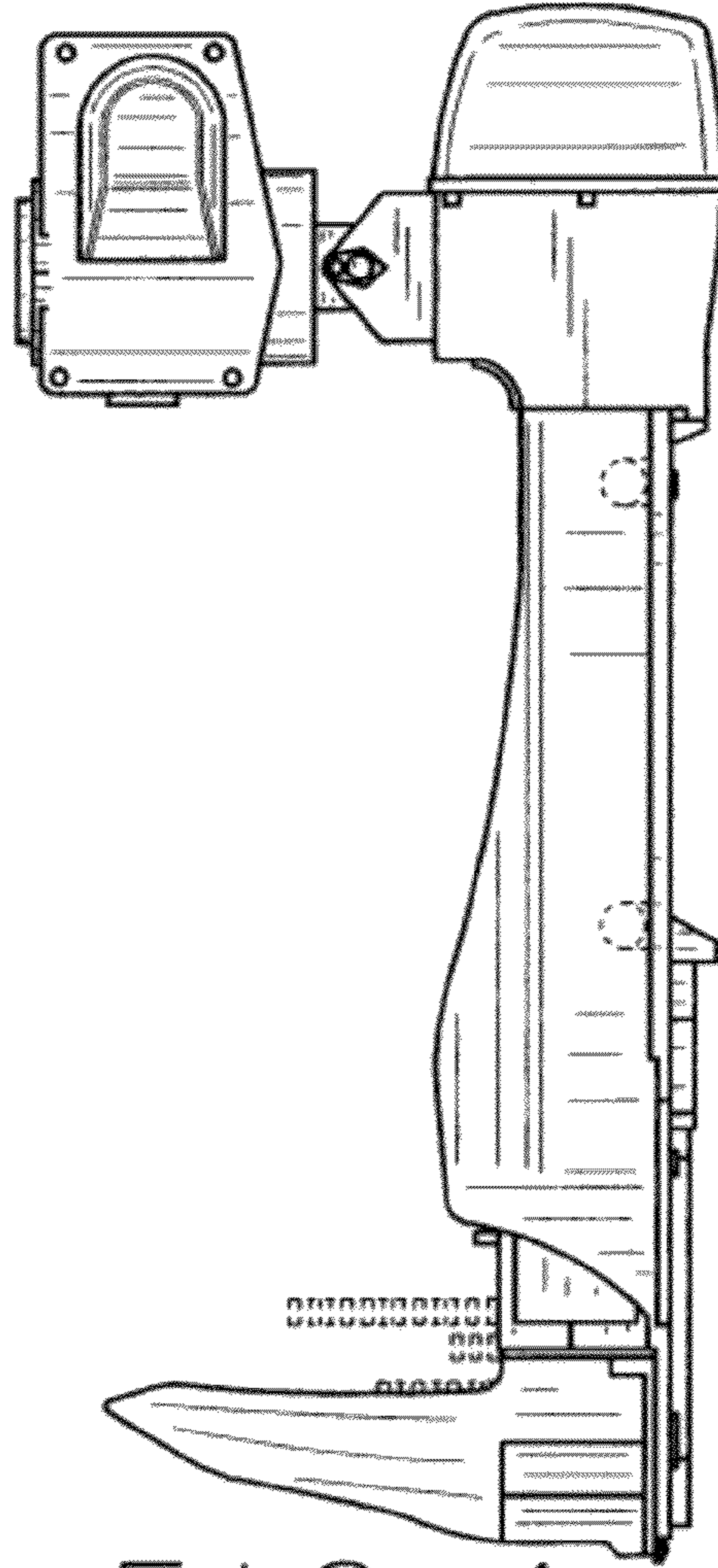


FIG. 4

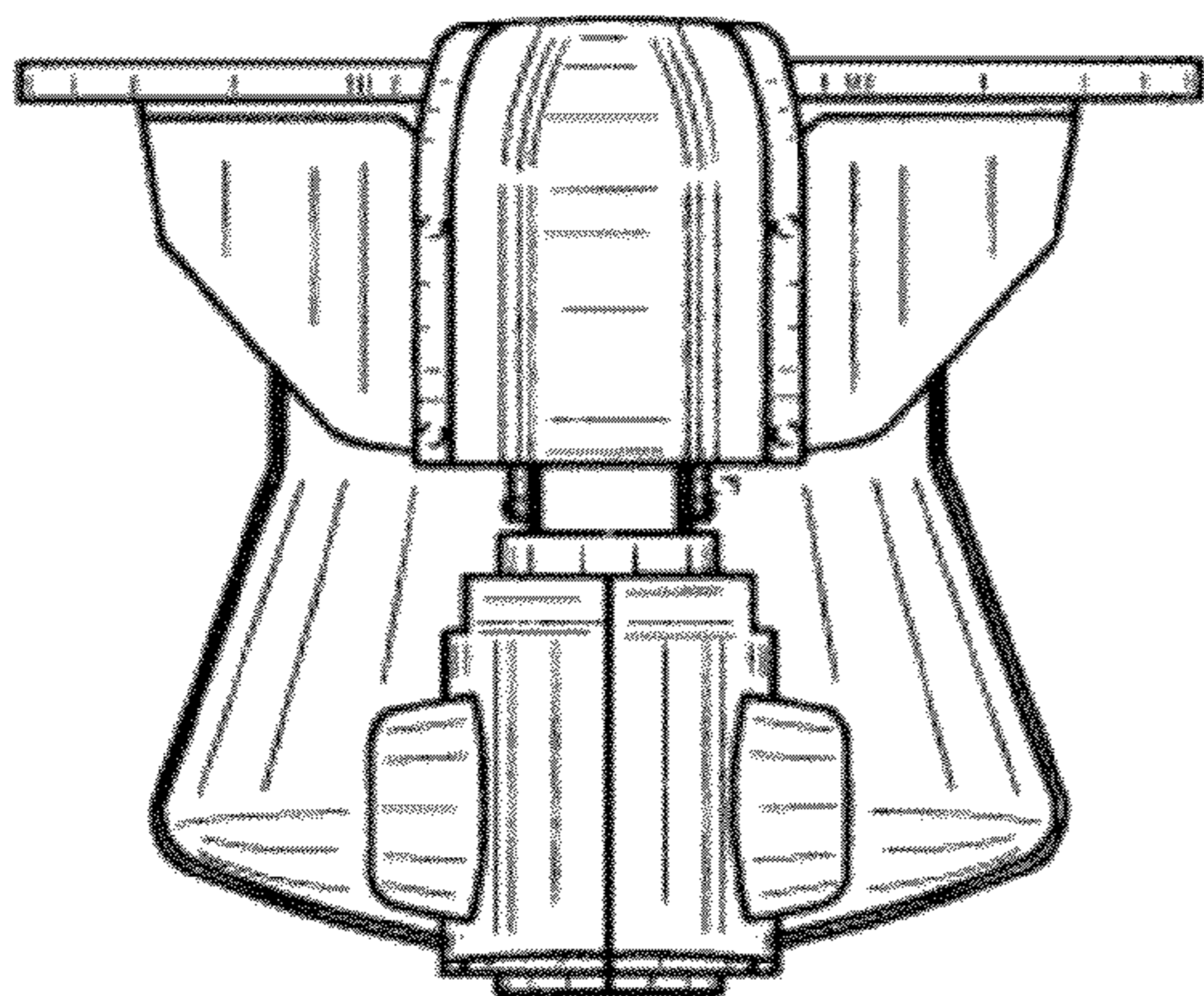


FIG. 5

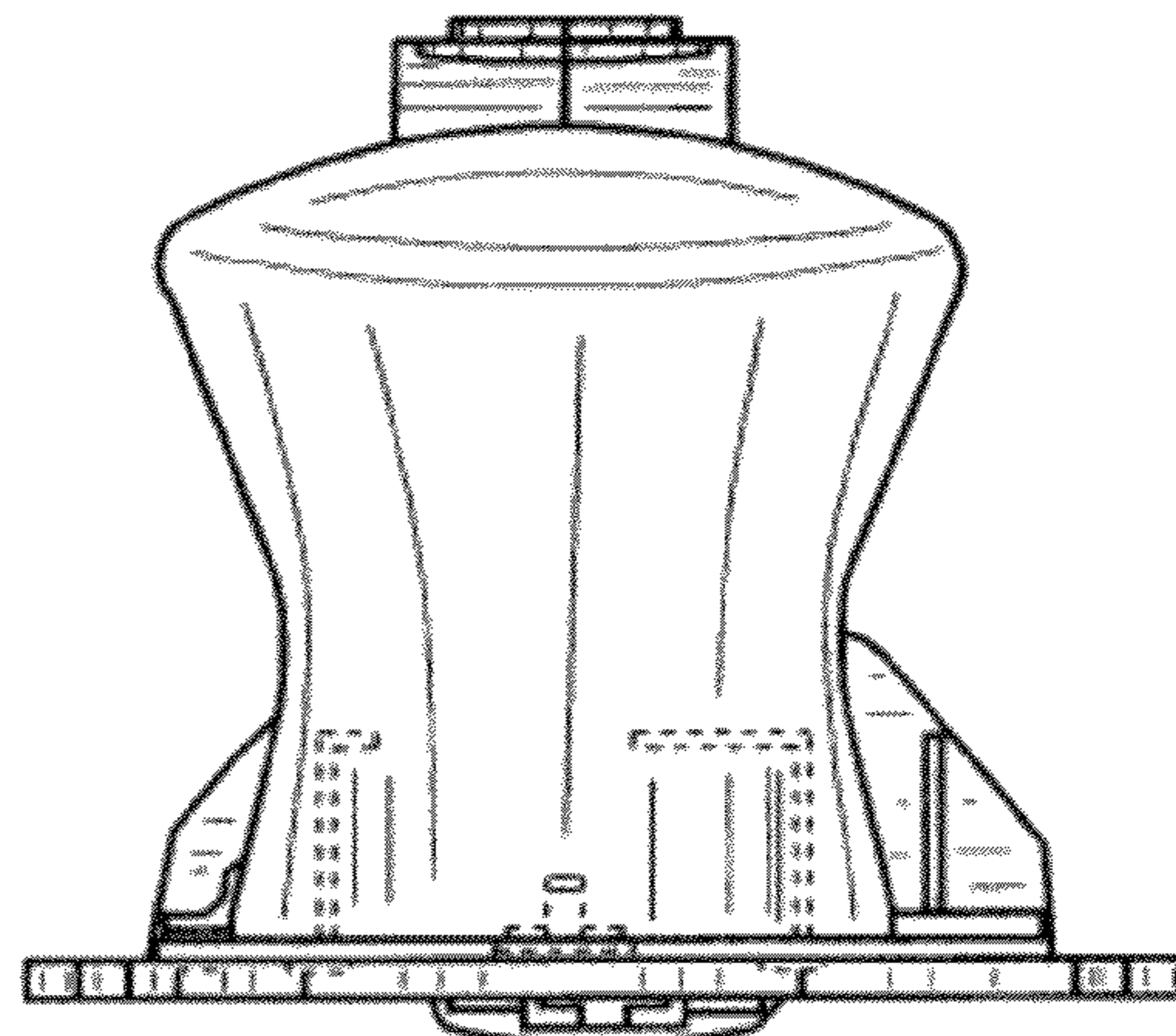


FIG. 6