

US00D663756S

(12) **United States Design Patent**
Pie

(10) **Patent No.:** **US D663,756 S**

(45) **Date of Patent:** **** Jul. 17, 2012**

(54) **FOAM DISPENSER**

(75) **Inventor:** **Alexandre Pie**, Laval (CA)

(73) **Assignee:** **Ivex Protective Packaging, Inc.**,
Bridgeview, IL (US)

(**) **Term:** **14 Years**

(21) **Appl. No.:** **29/394,211**

(22) **Filed:** **Jun. 14, 2011**

(51) **LOC (9) Cl.** **15-01**

(52) **U.S. Cl.** **D15/145**

(58) **Field of Classification Search** D15/7,
D15/145, 199; D23/200, 213; 222/92, 94,
222/173, 190

See application file for complete search history.

(56) **References Cited**

U.S. PATENT DOCUMENTS

5,462,204	A *	10/1995	Finn	222/190
D385,893	S *	11/1997	Yamamoto	D15/145
6,691,898	B2 *	2/2004	Hurray et al.	222/190
D543,222	S *	5/2007	Pester et al.	D15/145

* cited by examiner

Primary Examiner — Brian N Vinson

(74) *Attorney, Agent, or Firm* — Vedder Price P.C.

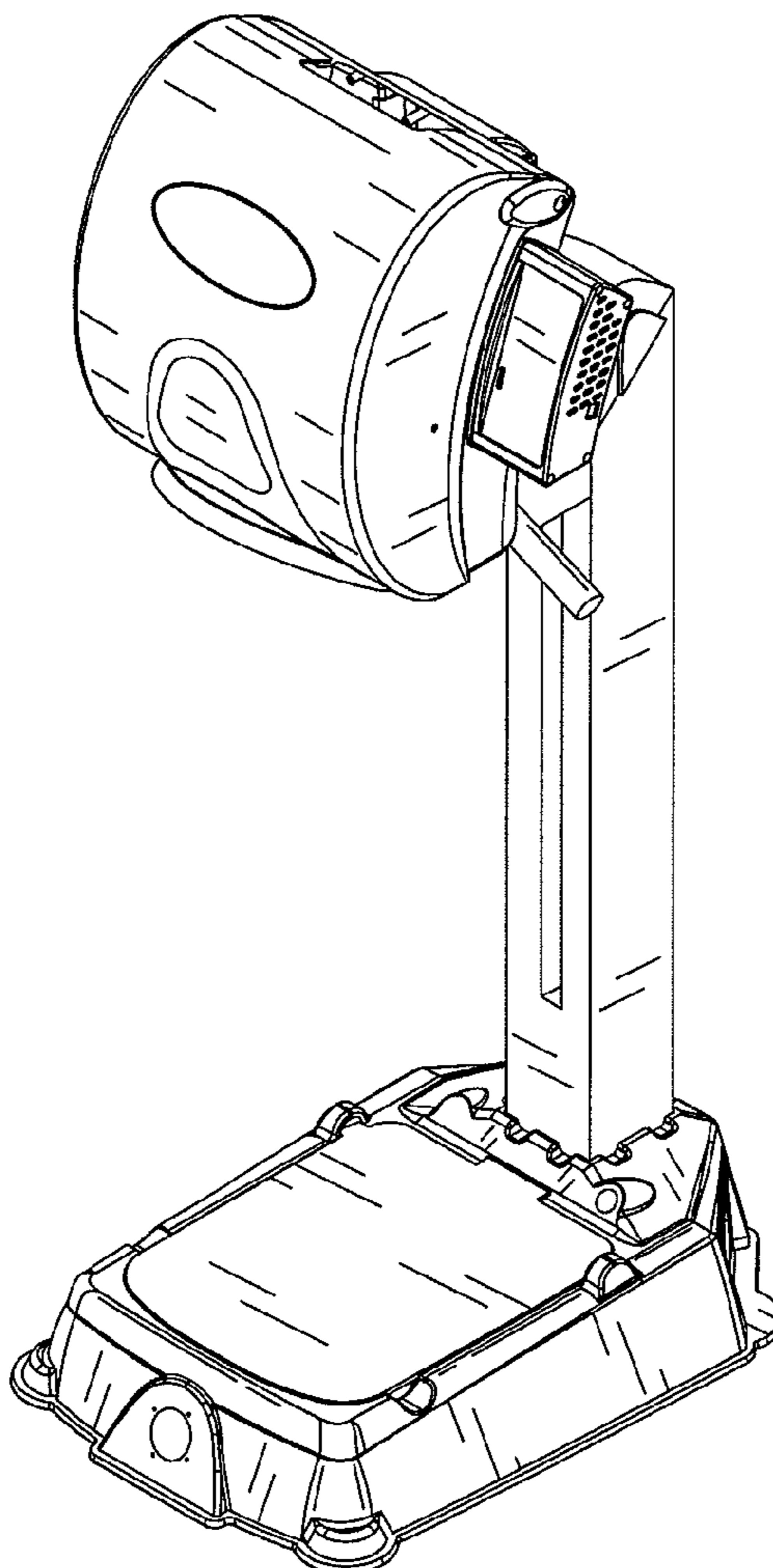
(57) **CLAIM**

The ornamental design for a foam dispenser, as shown and described.

DESCRIPTION

FIG. 1 is a top, front, and right side perspective view of a foam dispenser showing my new design;
FIG. 2 is a top, rear, and left side perspective view thereof;
FIG. 3 is a left side elevational view thereof;
FIG. 4 is a front elevational view thereof; and,
FIG. 5 is a top plan view thereof.

1 Claim, 2 Drawing Sheets



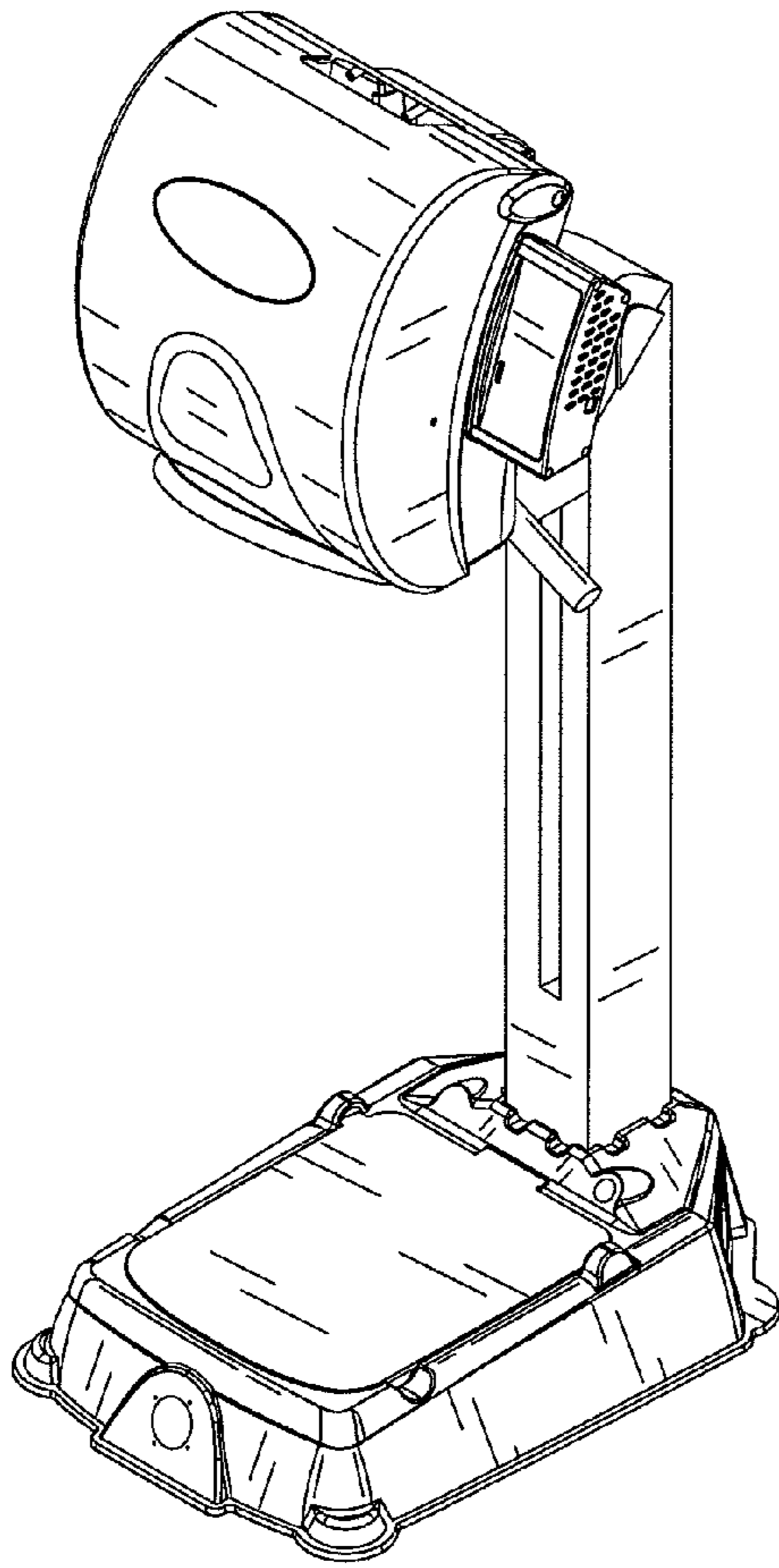


FIG. 1

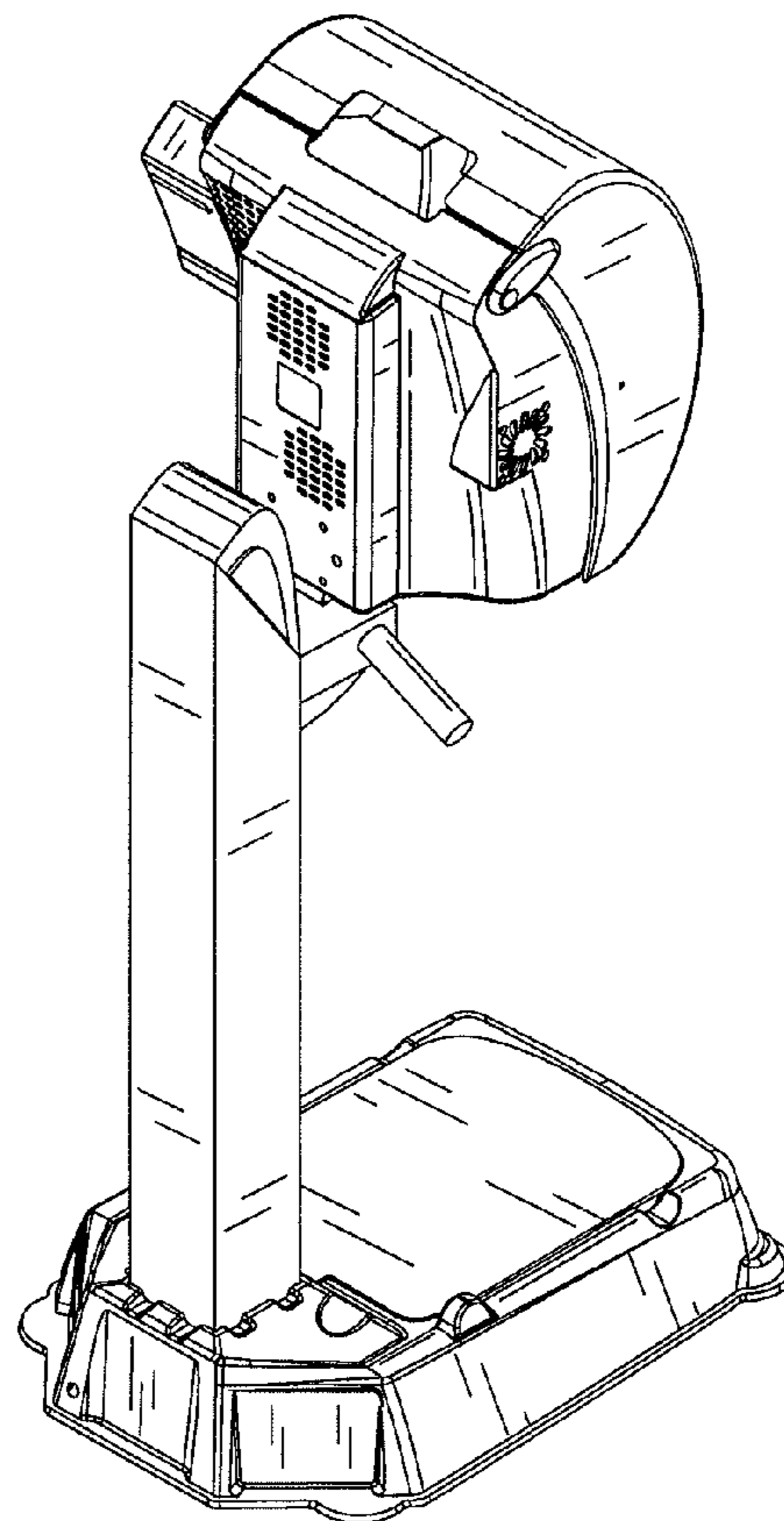


FIG. 2

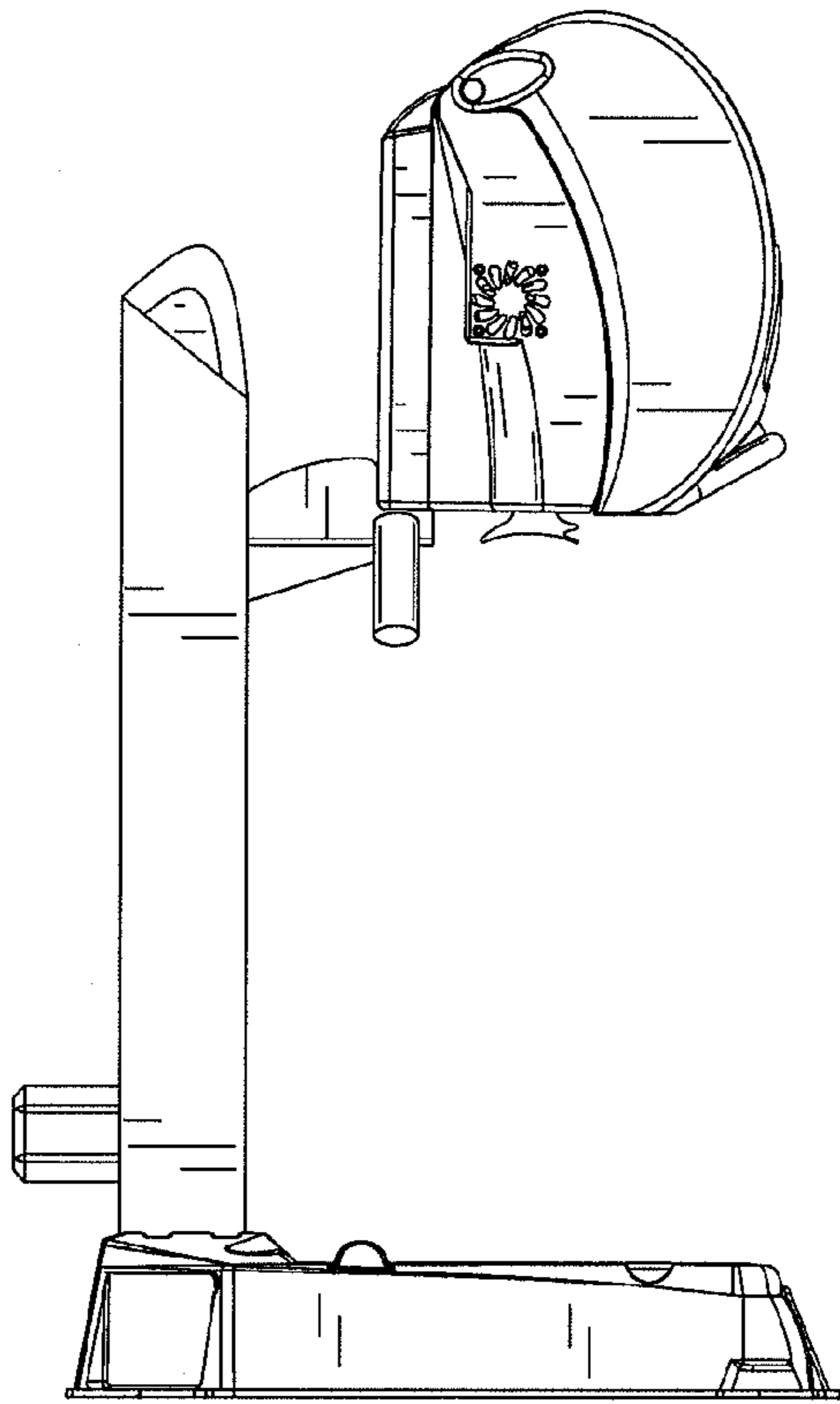


FIG. 3

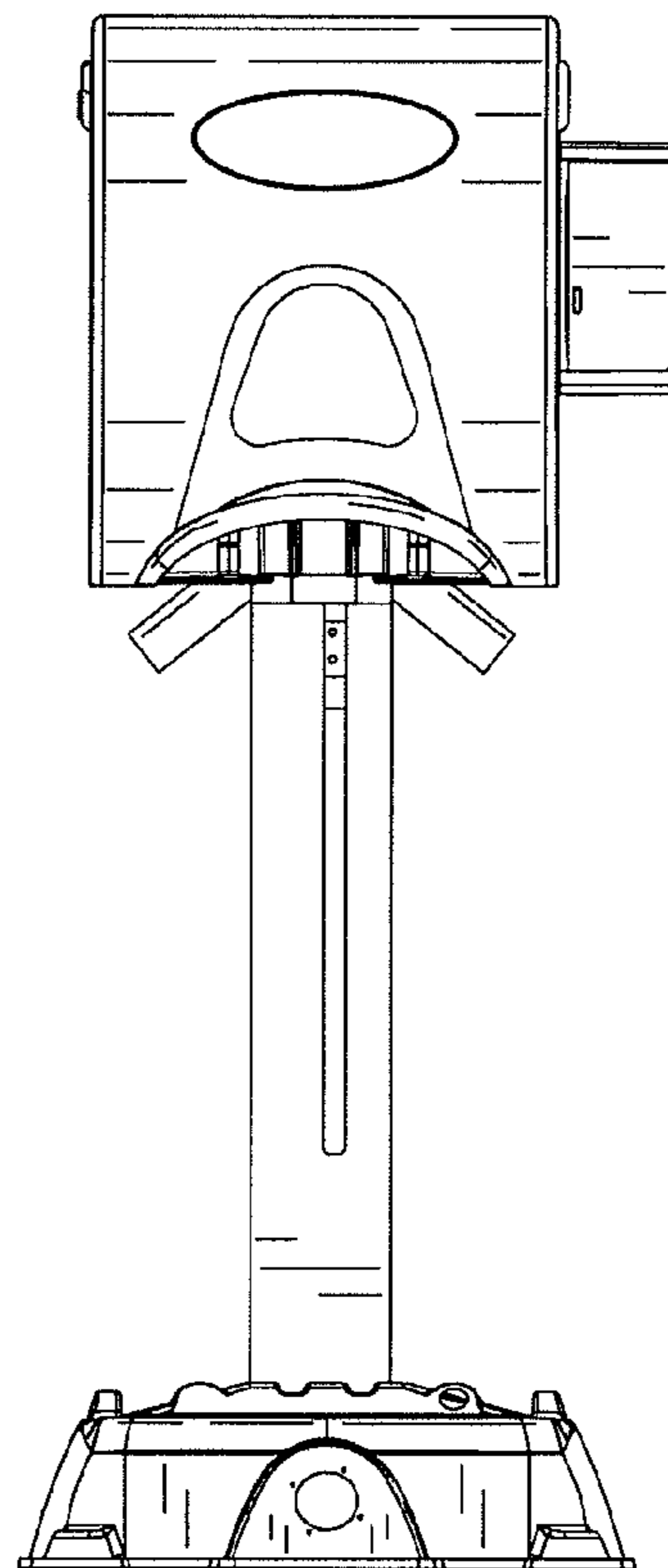


FIG. 4

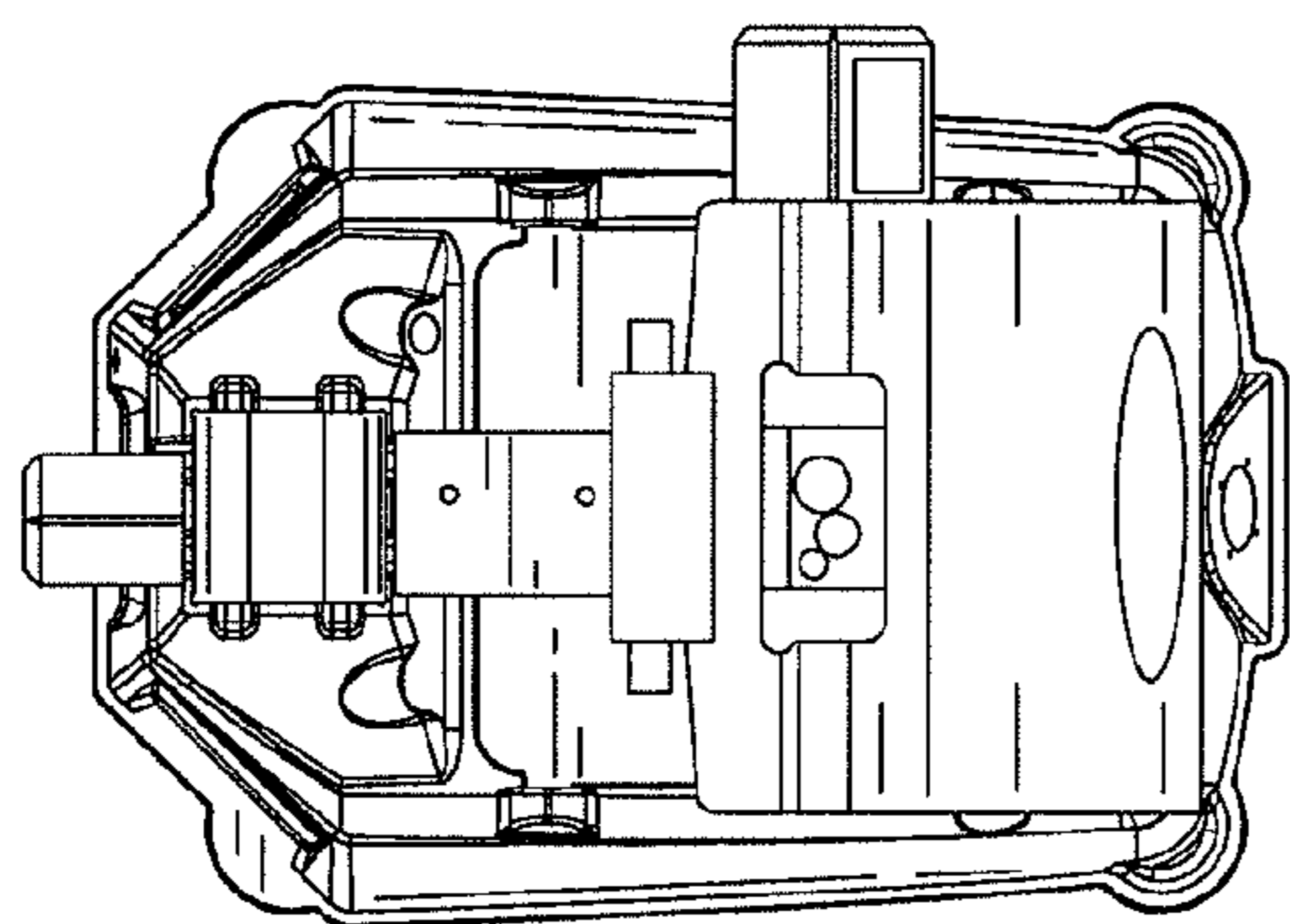


FIG. 5