



US00D663753S

(12) **United States Design Patent**
Hickman et al.

(10) **Patent No.:** **US D663,753 S**
(45) **Date of Patent:** **** Jul. 17, 2012**

(54) **LAWN CARE VEHICLE HOOD ASSEMBLY**
(75) Inventors: **Jeffrey C. Hickman**, Concord, NC
(US); **Eric Tse**, Charlotte, NC (US);
Ernest Lane, Huntersville, NC (US)
(73) Assignee: **Husqvarna Consumer Outdoor**
Products N.A., Inc., Charlotte, NC (US)
(**) Term: **14 Years**

D497,370 S * 10/2004 Katoh D15/31
D537,090 S * 2/2007 Kuwae D15/31
D546,351 S * 7/2007 Arthur et al. D15/31
D554,669 S * 11/2007 Crookes et al. D15/31
D557,714 S * 12/2007 Higashikawa D15/31
D558,799 S * 1/2008 Higashikawa D15/31
D565,607 S * 4/2008 Moen et al. D15/31
D581,955 S * 12/2008 Matsumoto et al. D15/31
D586,828 S * 2/2009 Staines et al. D15/31
D591,777 S * 5/2009 Kokitkar et al. D15/31
D596,205 S * 7/2009 Kawashiri et al. D15/31

(Continued)

(21) Appl. No.: **29/413,434**
(22) Filed: **Feb. 15, 2012**
(51) **LOC (9) Cl.** **15-03**
(52) **U.S. Cl.** **D15/31**
(58) **Field of Classification Search** D15/10,
D15/11, 13-17, 28, 22-26, 31; D12/173;
56/13.3, 13.4, 15.8, 15.9, 320.1; 180/89.1,
180/89.12, 900, 69.2, 68.1, 69.1
See application file for complete search history.

Primary Examiner — Mark Goodwin

(74) *Attorney, Agent, or Firm* — Nelson Mullins Riley &
Scarborough LLP

(57) **CLAIM**

The ornamental design for lawn care vehicle hood assembly,
as shown and described.

DESCRIPTION

(56) **References Cited**

U.S. PATENT DOCUMENTS

D381,025 S * 7/1997 Bataille D15/31
D413,905 S * 9/1999 Schmidt et al. D15/31
D419,164 S * 1/2000 Heiler et al. D15/31
D440,982 S * 4/2001 Knight et al. D15/23
D447,492 S * 9/2001 Goebert et al. D15/31
D448,037 S * 9/2001 Westimayer et al. D15/31
D449,841 S * 10/2001 Williams D15/31
D453,776 S * 2/2002 Williams D15/31
D455,157 S * 4/2002 Williams D15/31
D458,945 S * 6/2002 Hohnl et al. D15/31
D460,465 S * 7/2002 Williams D15/31
D465,500 S * 11/2002 Workman et al. D15/31
D466,531 S * 12/2002 Hohnl et al. D15/31
D473,882 S * 4/2003 Kuwae D15/31
D488,488 S * 4/2004 Montgomery et al. D15/31

FIG. 1 is a top perspective view of a lawn care vehicle having
a hood assembly in accordance with an embodiment of the
present invention;

FIG. 2 is an isolated top perspective view of the hood assem-
bly of FIG. 1;

FIG. 3 is a left side view of the hood assembly of FIG. 1;

FIG. 4 is a right side view of the hood assembly of FIG. 1;

FIG. 5 is a front view of the hood assembly of FIG. 1;

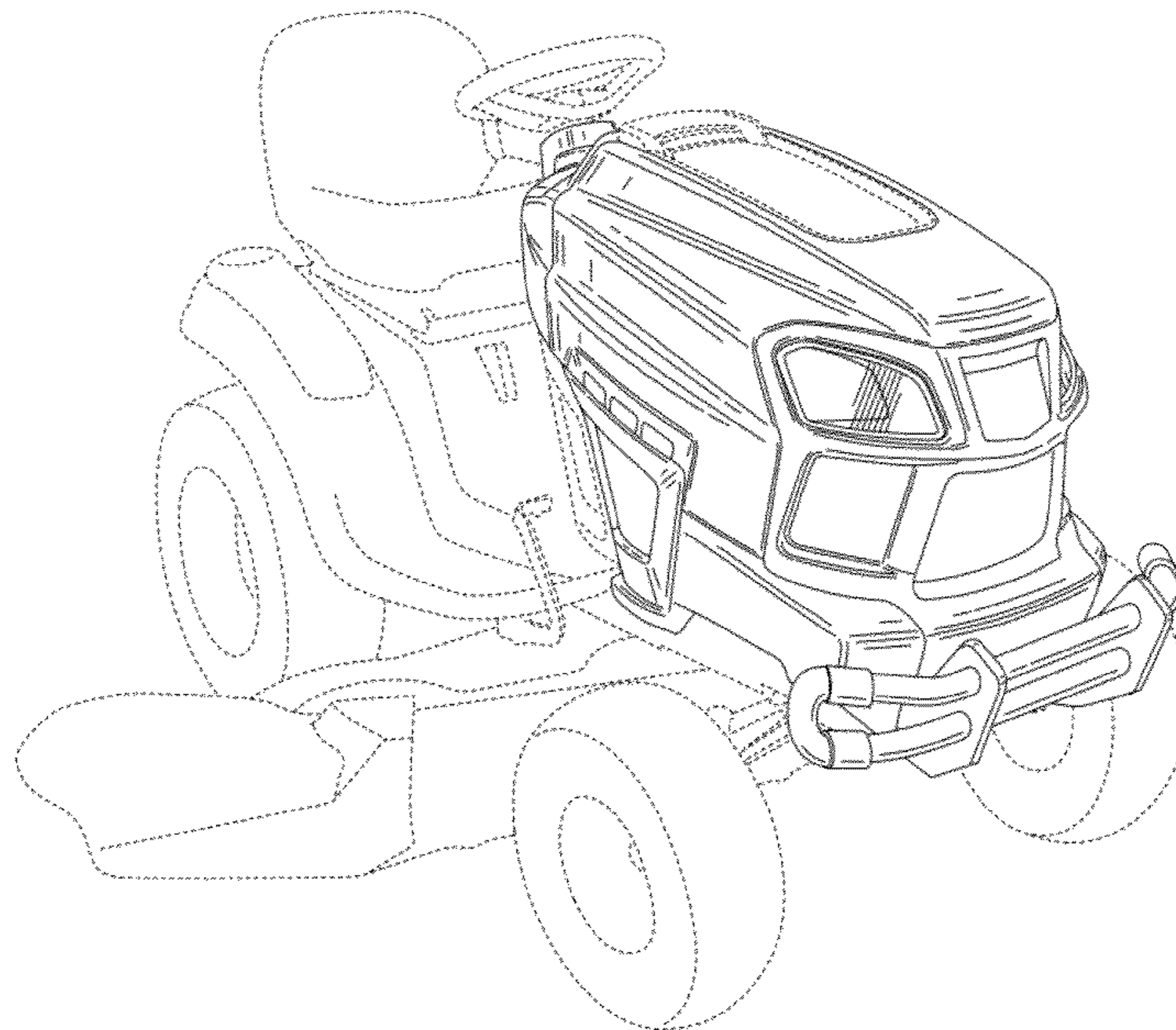
FIG. 6 is a rear view of the hood assembly of FIG. 1;

FIG. 7 is a top view of the hood assembly of FIG. 1; and,

FIG. 8 is a bottom view of the hood assembly of FIG. 1.

The broken lines of FIGS. 1-8 are illustrative of the visible
environmental structure of the lawn care vehicle body and
form no part of the claimed design.

1 Claim, 8 Drawing Sheets

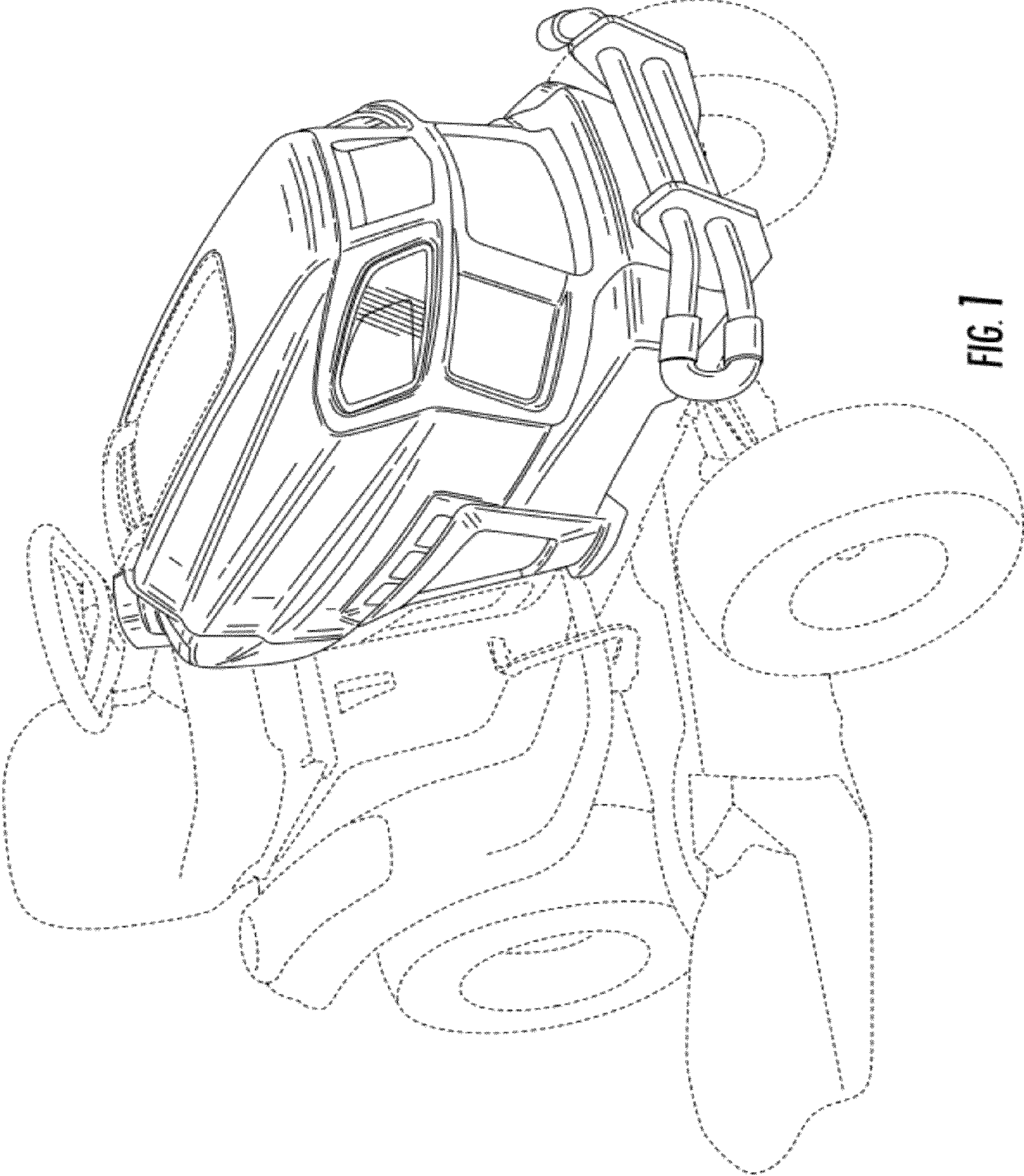


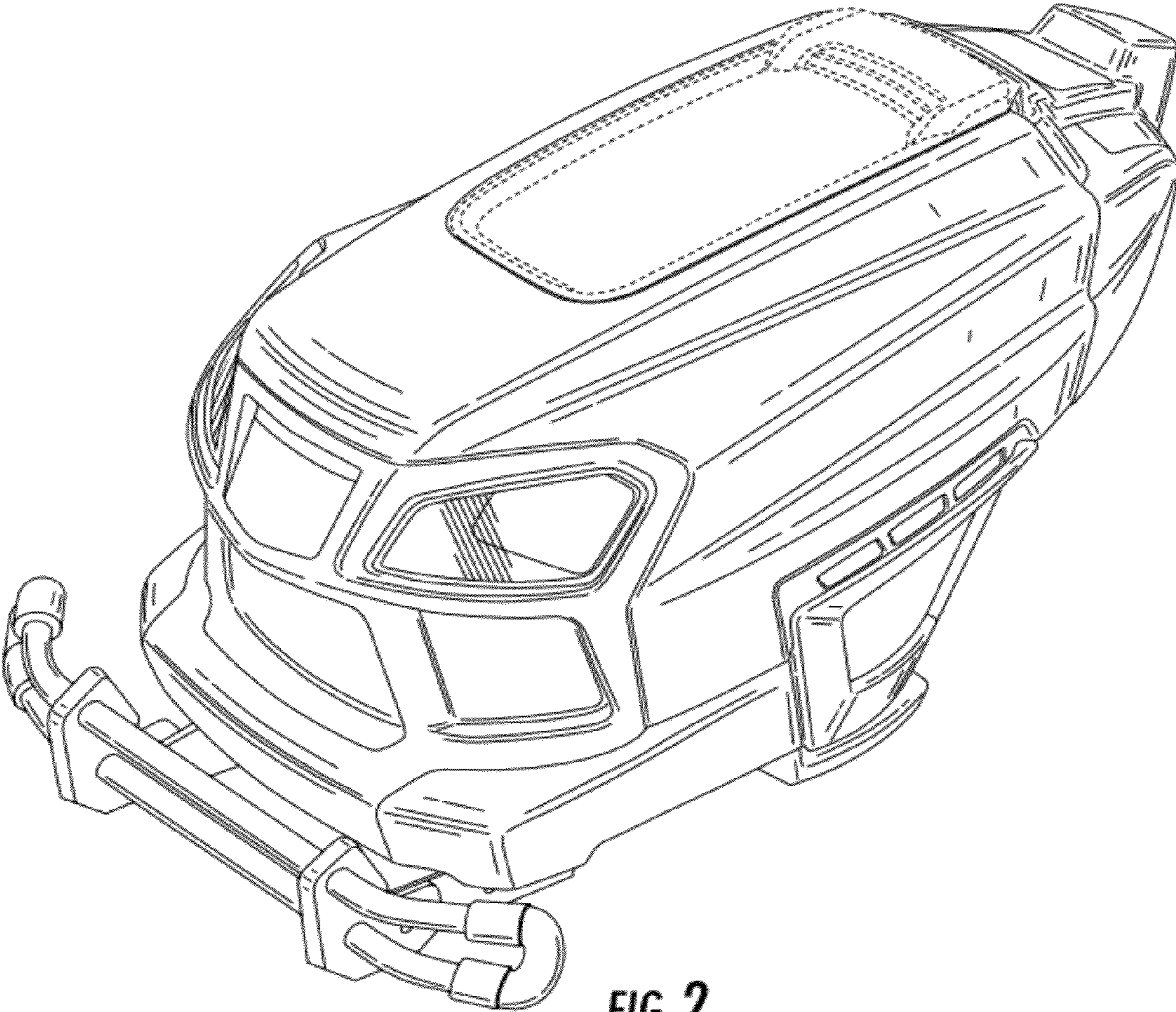
US D663,753 S

Page 2

U.S. PATENT DOCUMENTS

D605,669 S *	12/2009	Matsumoto et al.	D15/31	D631,489 S *	1/2011	Booth et al.	D15/31
D622,295 S *	8/2010	Ryczek et al.	D15/31	D632,312 S *	2/2011	Booth et al.	D15/31
D626,975 S *	11/2010	Ryczek et al.	D15/31	* cited by examiner			





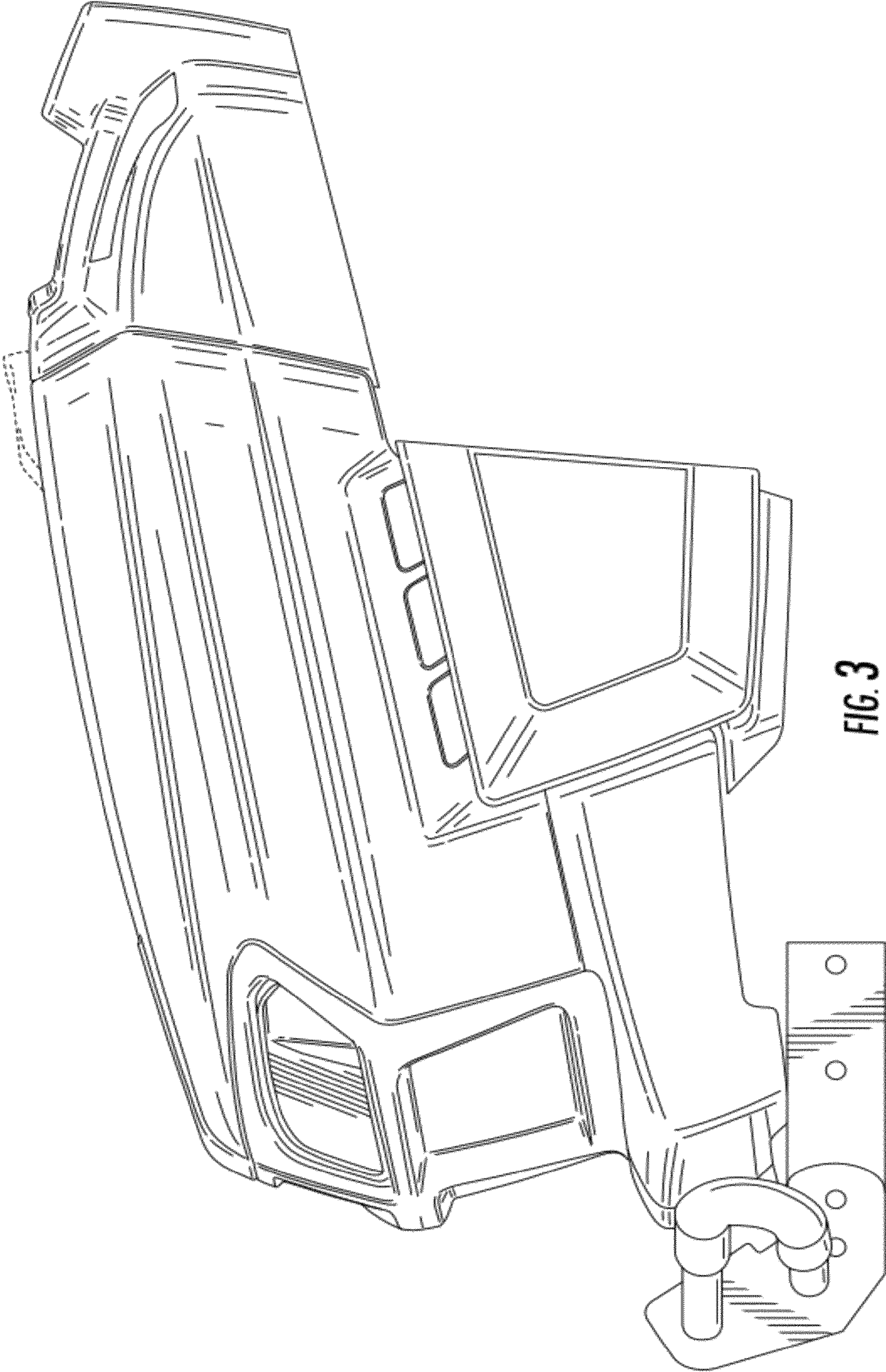


FIG. 3

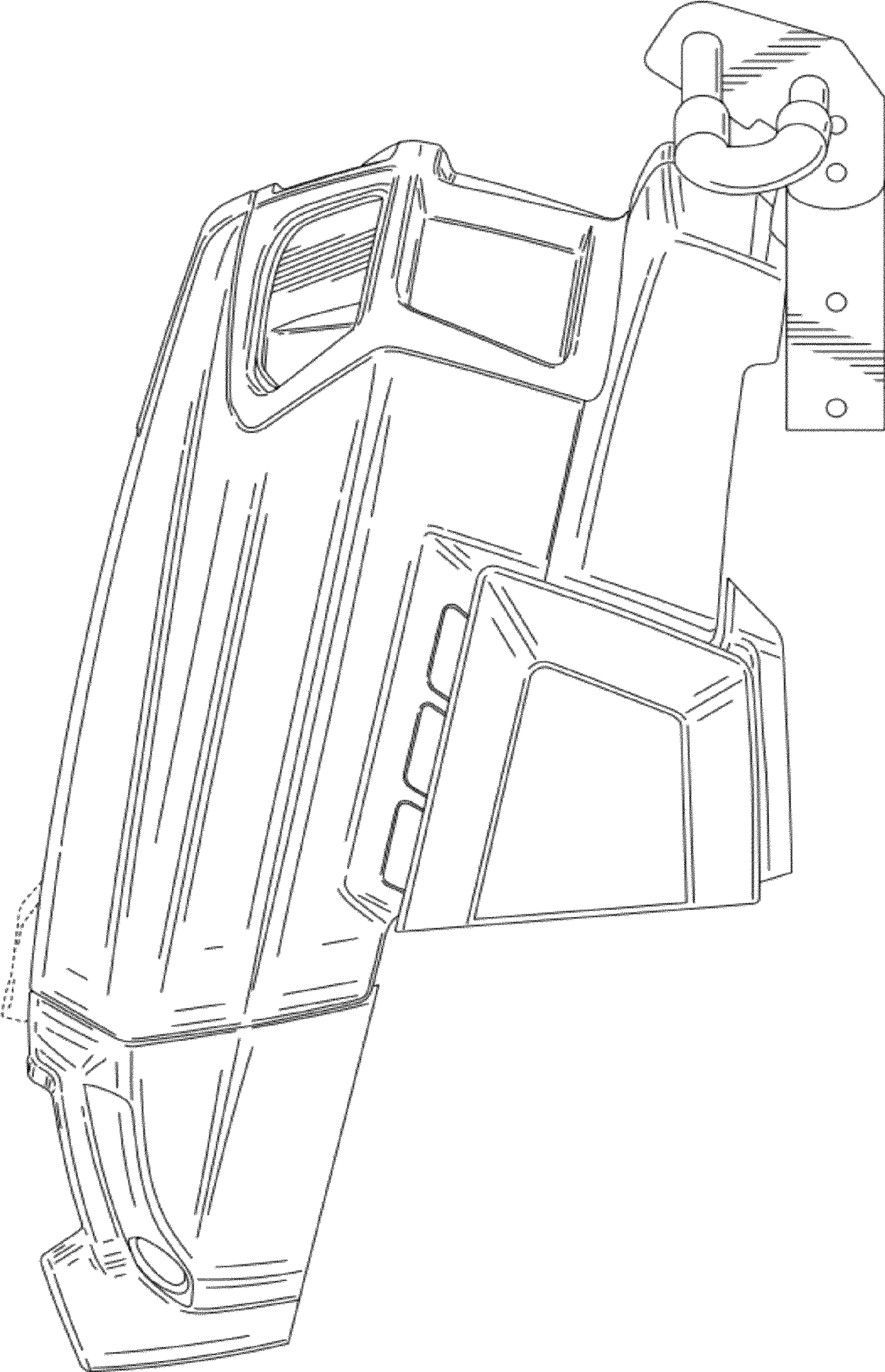


FIG. 4

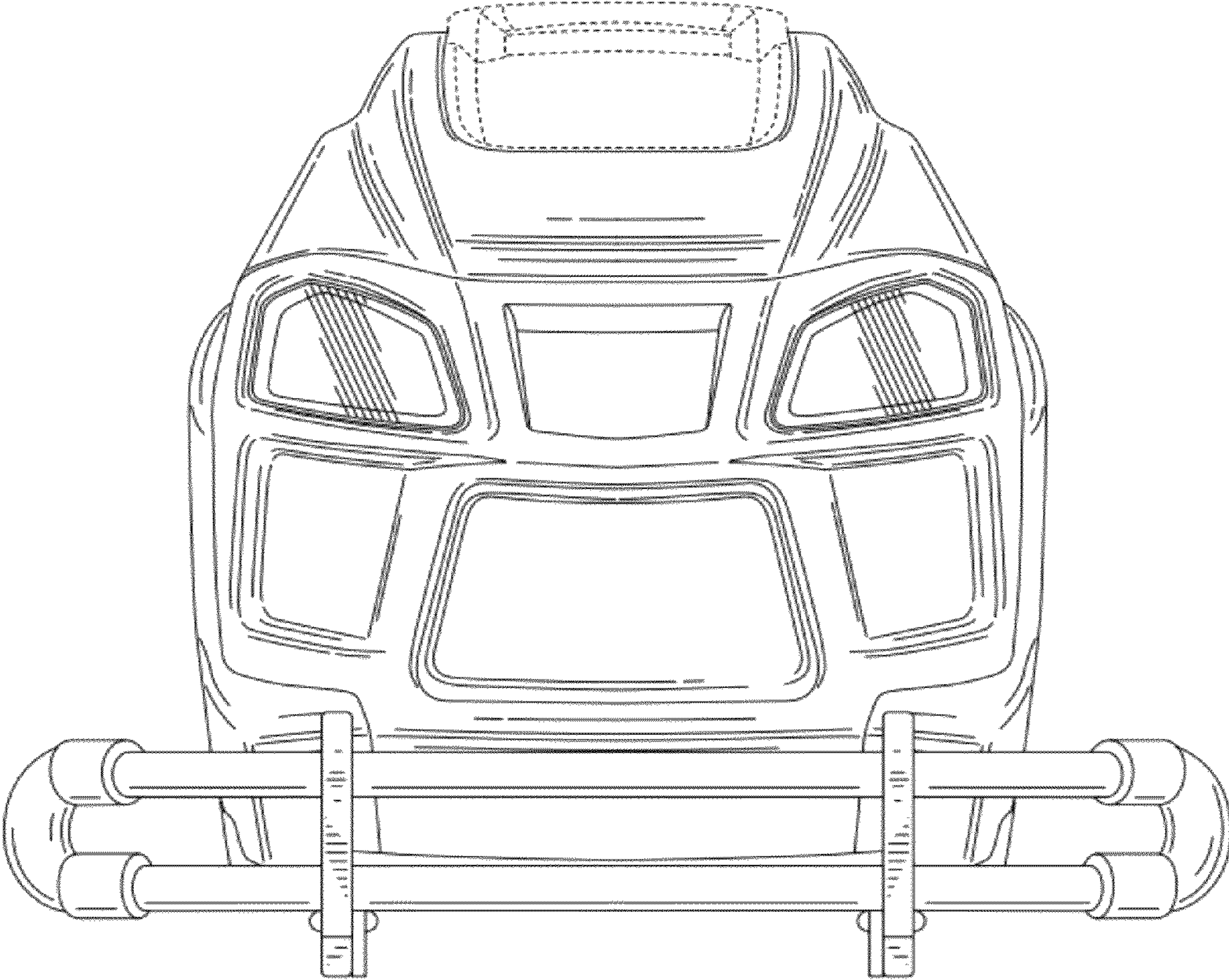


FIG. 5

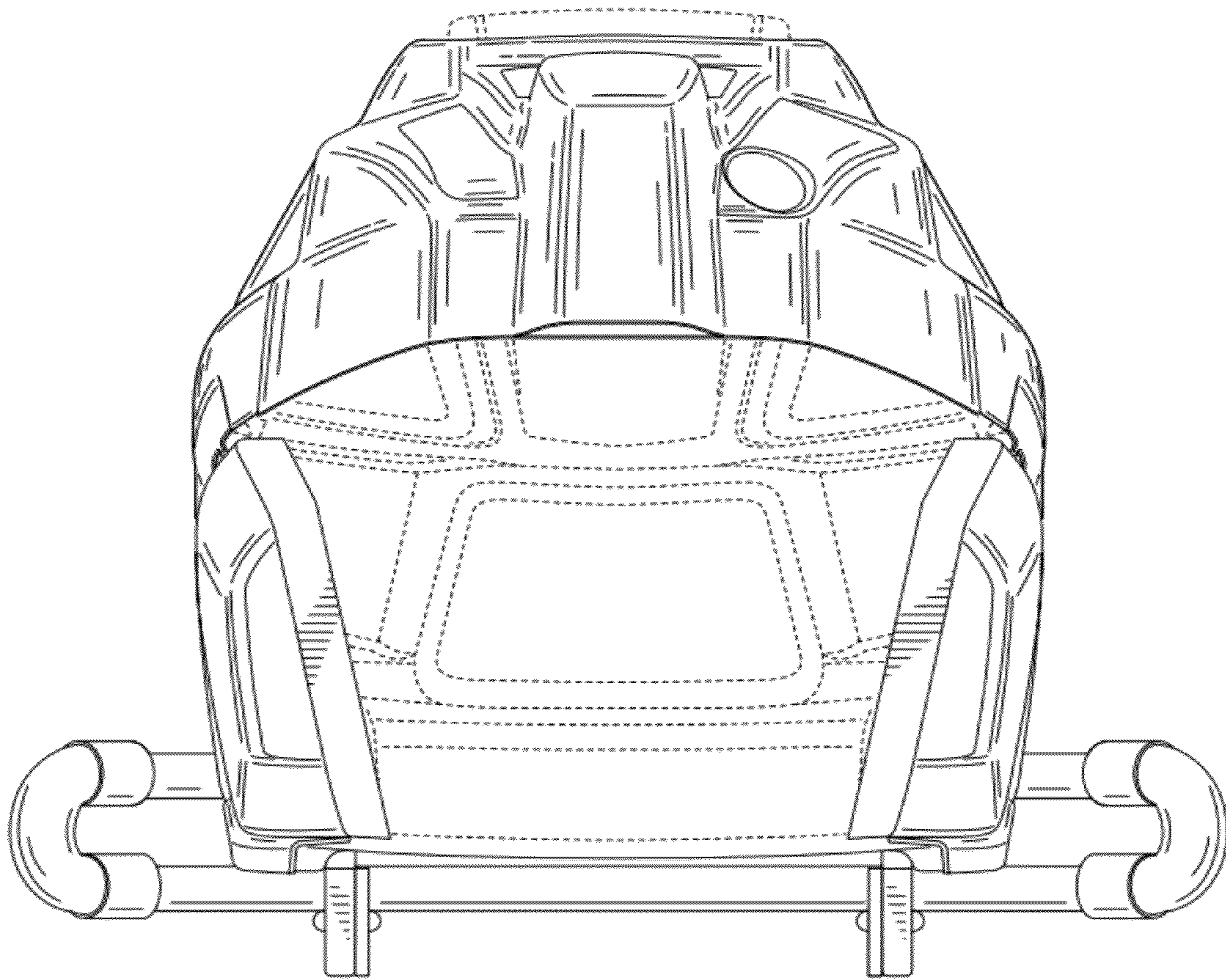


FIG. 6

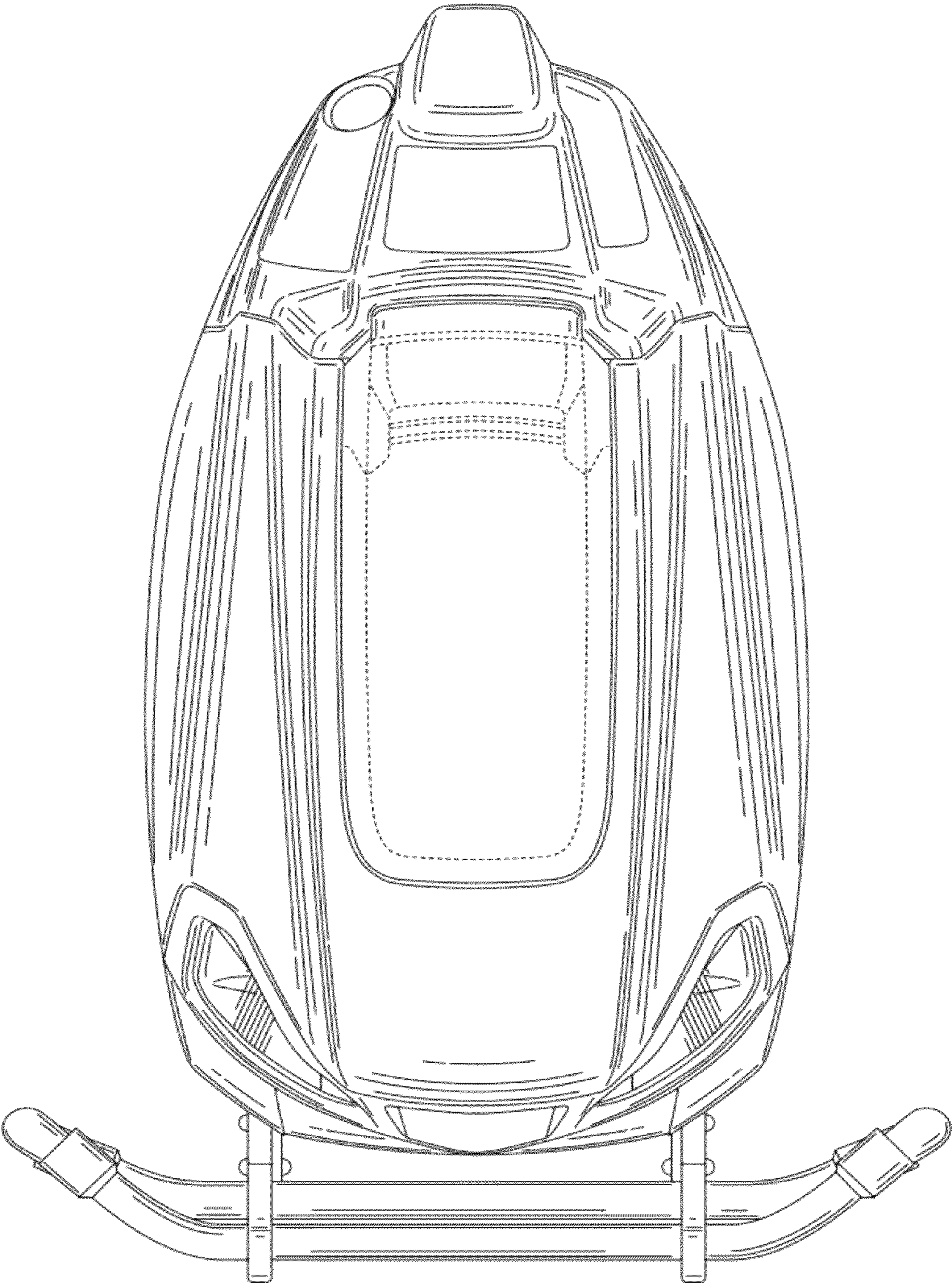


FIG. 7

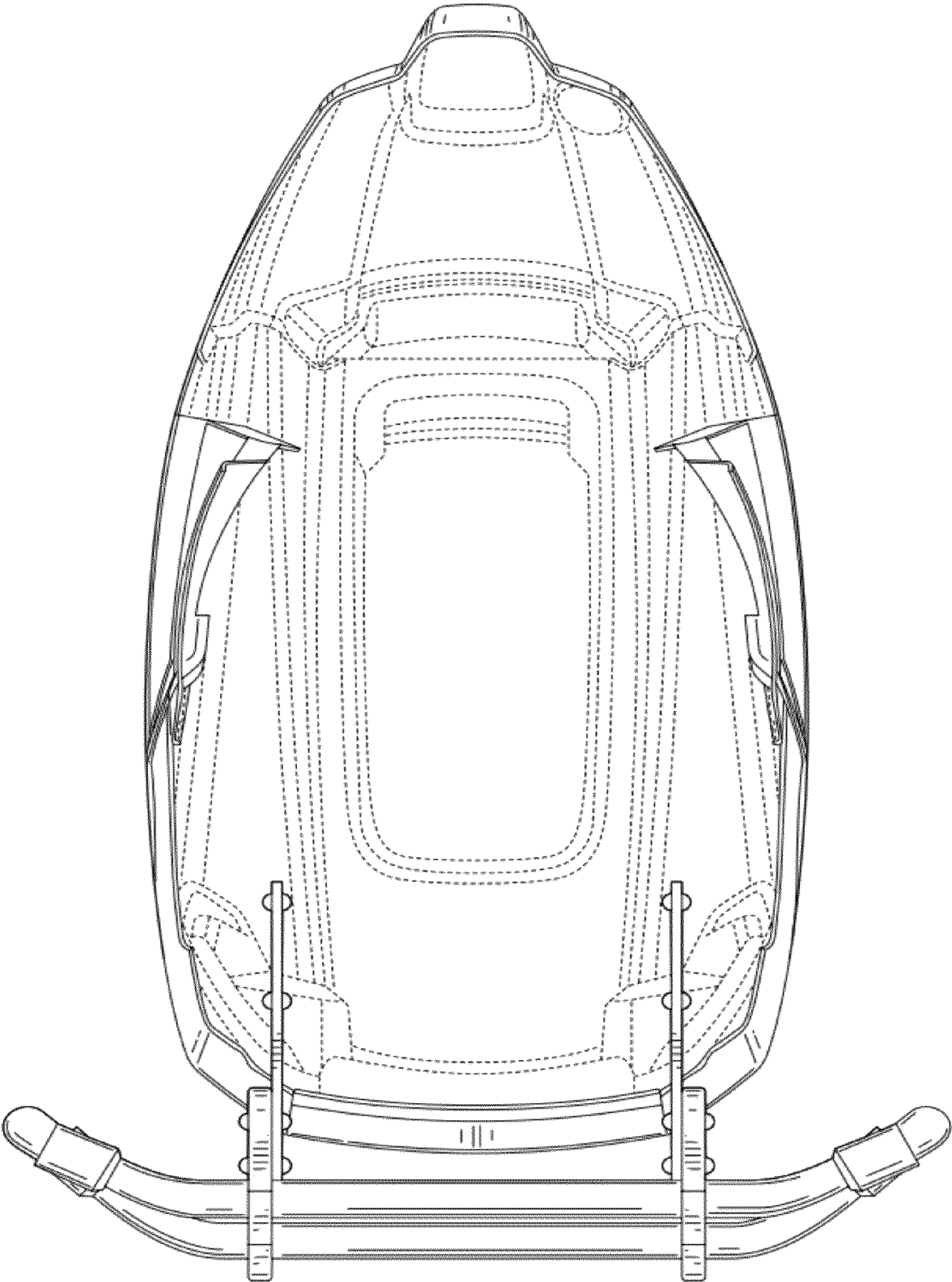


FIG. 8