

US00D663751S

(12) **United States Design Patent**
Yogita et al.

(10) **Patent No.:** **US D663,751 S**
(45) **Date of Patent:** **** Jul. 17, 2012**

(54) **EXCAVATOR**

(75) Inventors: **Jin Yogita**, Hirakata (JP); **Toshinori Kan**, Hirakata (JP); **Tomoya Kumagai**, Tokyo (JP)

(73) Assignee: **Komatsu Ltd.**, Tokyo (JP)

(**) Term: **14 Years**

(21) Appl. No.: **29/371,537**

(22) Filed: **Apr. 11, 2011**

(30) **Foreign Application Priority Data**

Dec. 24, 2010 (JP) 2010-030866

(51) **LOC (9) Cl.** **12-09**

(52) **U.S. Cl.** **D15/25**

(58) **Field of Classification Search** D15/10,
D15/22-26; 37/403, 411, 443; 414/685,
414/686, 688, 722-724; 180/89.13
See application file for complete search history.

(56) **References Cited**

U.S. PATENT DOCUMENTS

4,397,481 A * 8/1983 Dion et al. 280/781
D271,396 S * 11/1983 Inui D15/24

5,544,435 A * 8/1996 Somero 37/405
5,590,482 A * 1/1997 Peterson et al. 37/403
D391,272 S * 2/1998 Jin et al. D15/25
D409,629 S * 5/1999 Miyaoka et al. D15/25
D437,602 S * 2/2001 Hiraoka et al. D15/25
D460,975 S * 7/2002 Yanagida et al. D15/25
D462,973 S * 9/2002 Tamaru et al. D15/25
D462,974 S * 9/2002 Yanagida et al. D15/25
D534,552 S * 1/2007 Yanagida D15/25

FOREIGN PATENT DOCUMENTS

JP HN13015886 10/2001

* cited by examiner

Primary Examiner — Mark Goodwin

(74) *Attorney, Agent, or Firm* — Manabu Kanesaka

(57) **CLAIM**

The ornamental design for an excavator, as shown and described.

DESCRIPTION

FIG. 1 is a front view of an excavator showing our new design; FIG. 2 is rear view thereof; FIG. 3 is a top plan view thereof; FIG. 4 is a bottom plan view thereof; FIG. 5 is a left side view thereof; and, FIG. 6 is a right side view thereof.

1 Claim, 5 Drawing Sheets

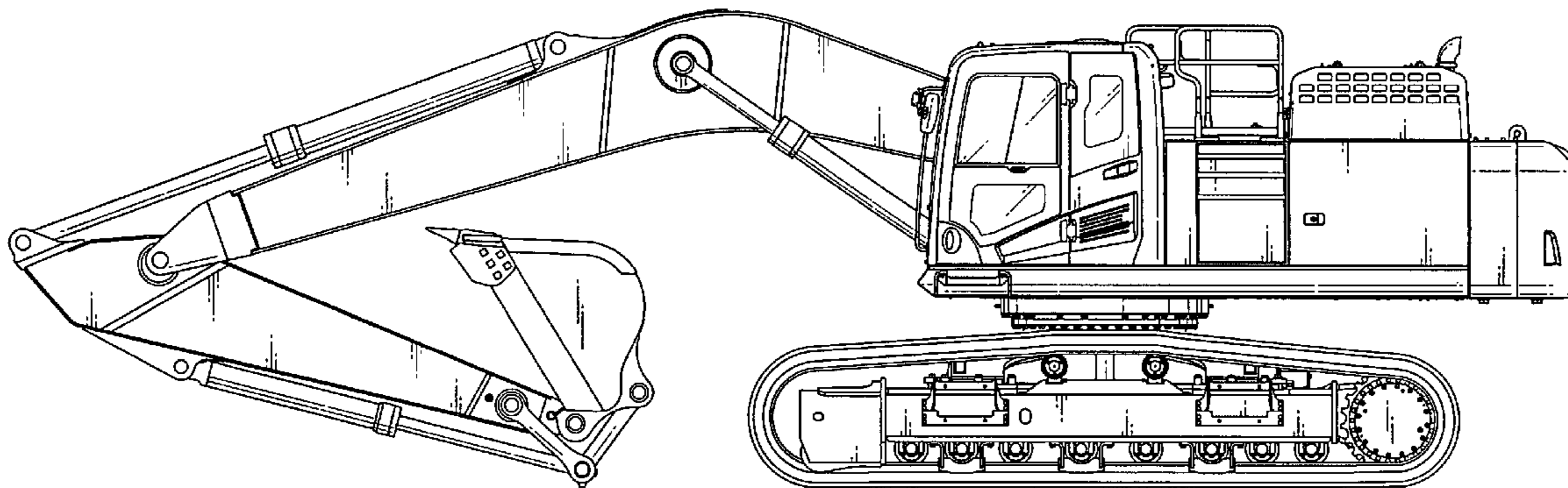


Fig. 1

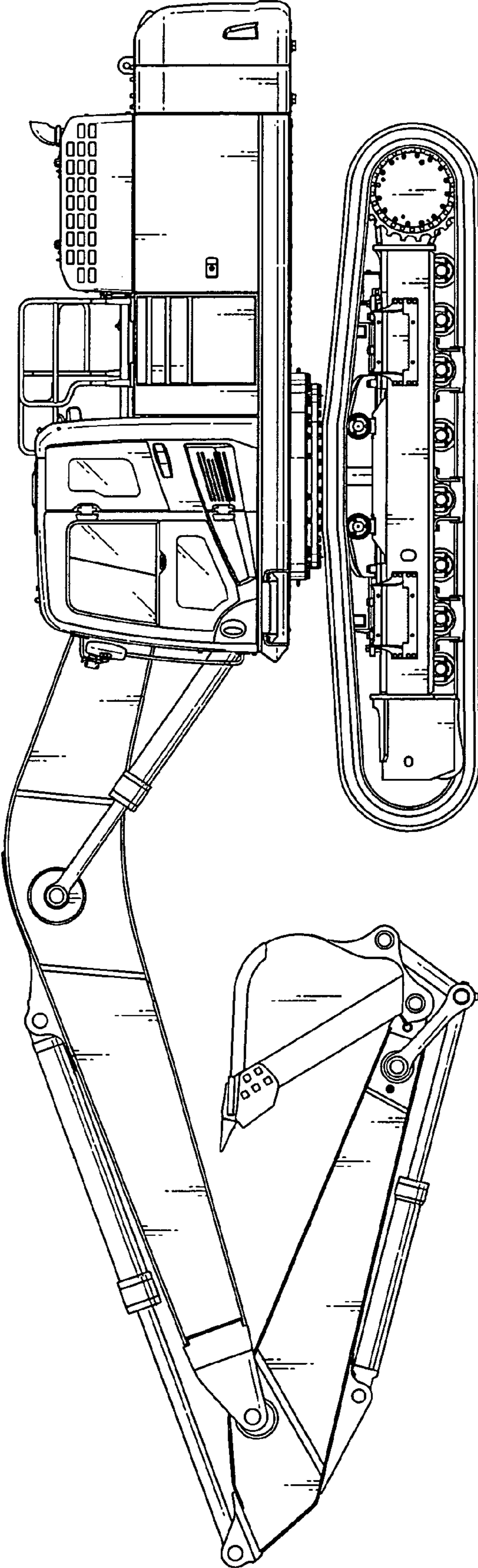


Fig. 2

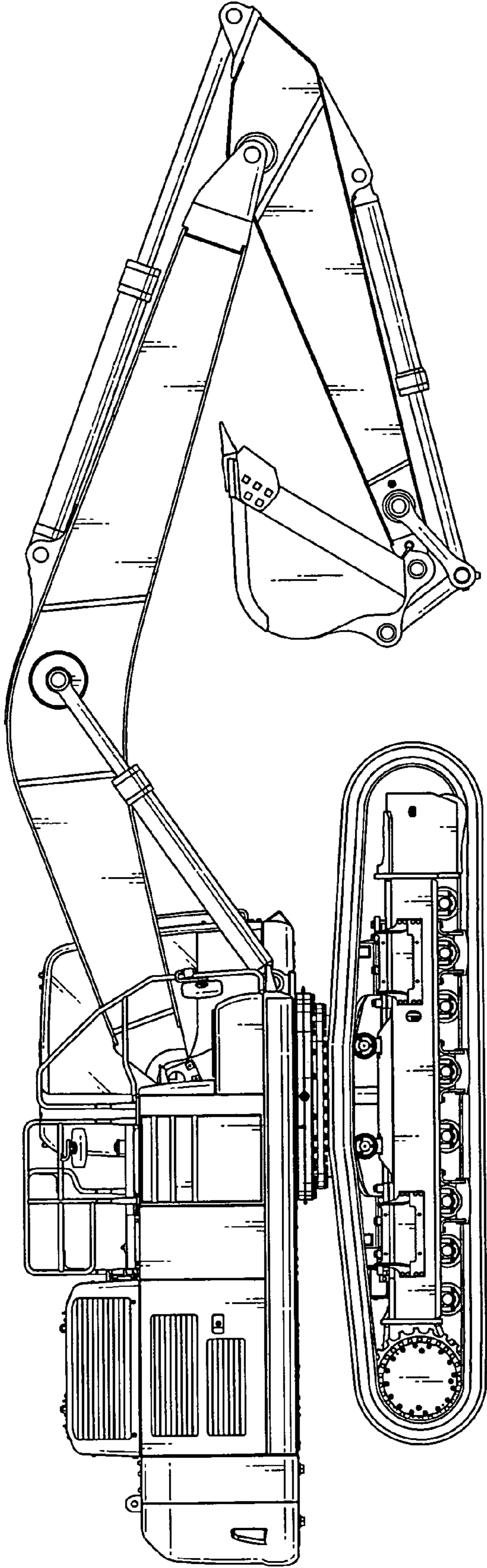


Fig. 3

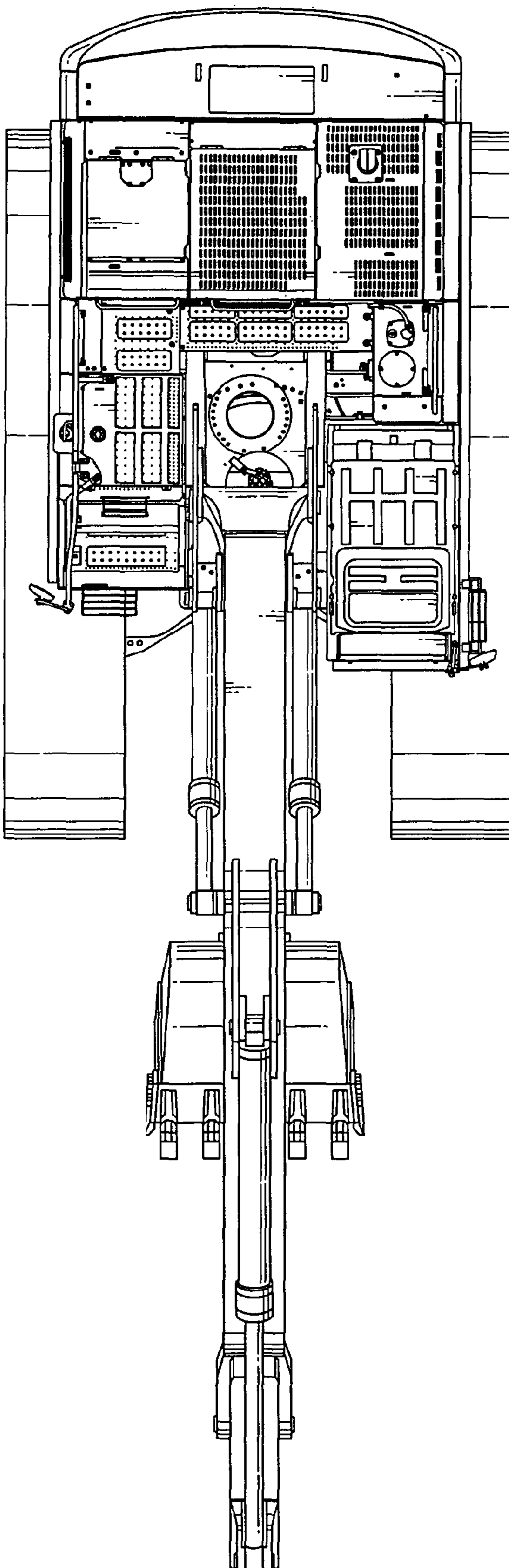


Fig. 4

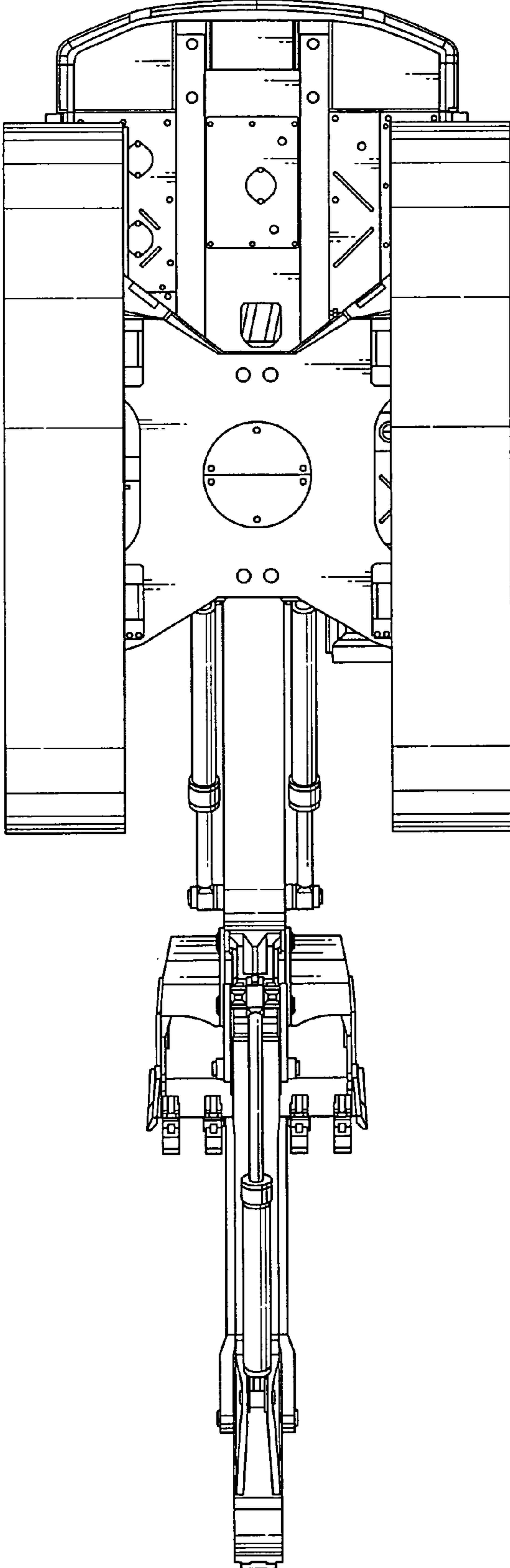


Fig. 6

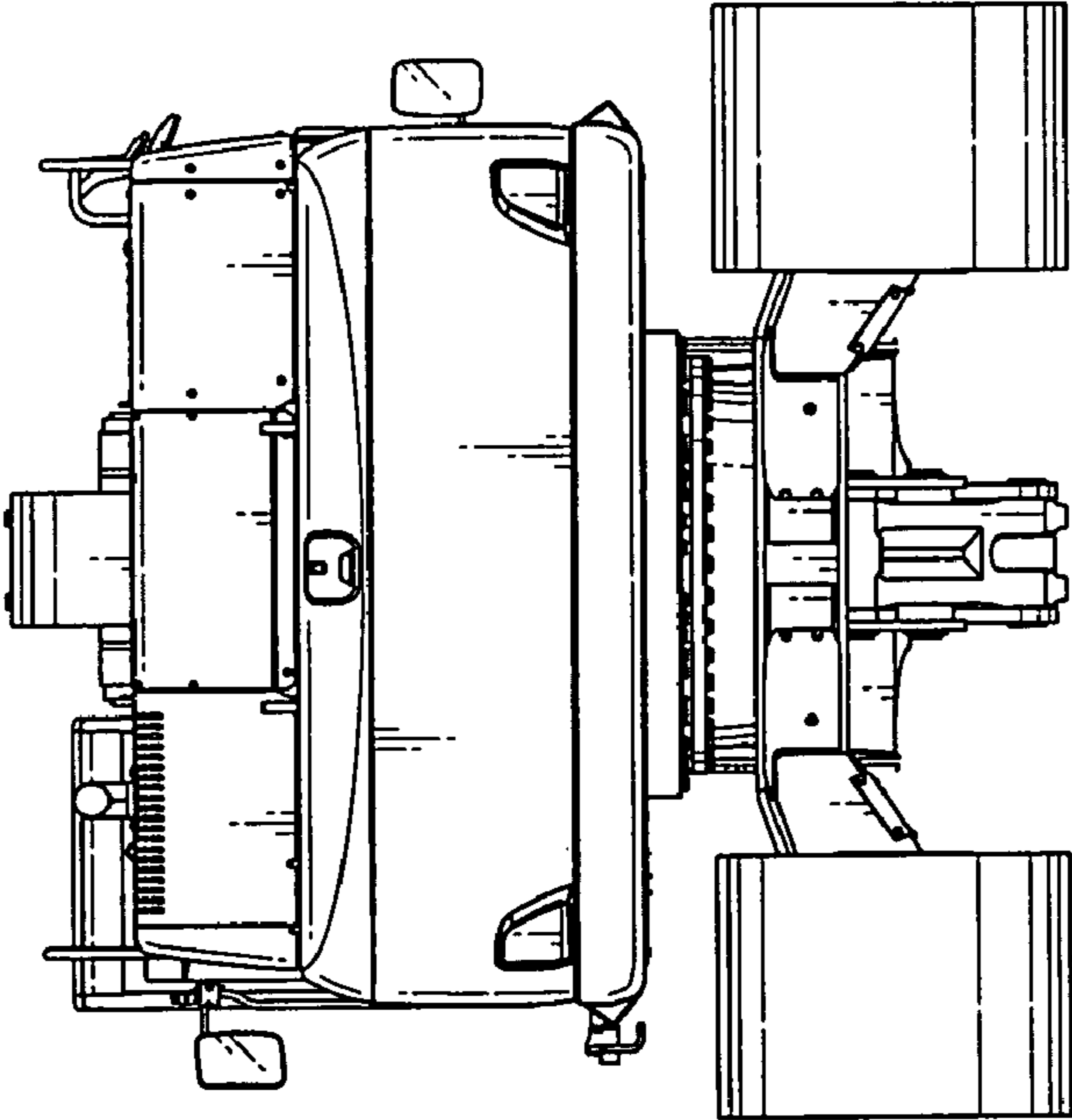


Fig. 5

