



US00D663748S

(12) **United States Design Patent**  
**Jones et al.**

(10) **Patent No.:** **US D663,748 S**  
(45) **Date of Patent:** **\*\* Jul. 17, 2012**

(54) **INDUSTRIAL COMPRESSOR CABINET**

(75) Inventors: **Kenneth C. Jones**, Kansas City, MO (US); **Glennon J. Roderique**, Overland Park, KS (US); **Jonathon K. Kemnitzer**, Kansas City, MO (US)

(73) Assignee: **Accessible Technologies, Inc.**, Lenexa, KS (US)

(\*\*) Term: **14 Years**

(21) Appl. No.: **29/390,165**

(22) Filed: **Apr. 20, 2011**

(51) **LOC (9) Cl.** ..... **15-02**

(52) **U.S. Cl.** ..... **D15/9**

(58) **Field of Classification Search** ..... D15/7-9;  
D23/231, 232, 225; 417/60, 235, 265, 321,  
417/355, 358, 363, 359, 410.1, 415-416,  
417/405, 900; 60/408, 412; 184/26-37;  
415/140-147; 123/495, 509

See application file for complete search history.

(56) **References Cited**

**U.S. PATENT DOCUMENTS**

D466,521 S *	12/2002	Kumar et al. ....	D15/7
D497,369 S *	10/2004	Govier et al. ....	D15/9
D550,716 S *	9/2007	Bennett ....	D15/7
D550,721 S *	9/2007	Tanaka et al. ....	D15/9
D602,960 S *	10/2009	Bukoski et al. ....	D15/9
D608,796 S *	1/2010	Miller et al. ....	D15/7

D622,737 S \* 8/2010 Nagai et al. .... D15/9  
D647,537 S \* 10/2011 Mehnert et al. .... D15/7

\* cited by examiner

*Primary Examiner* — Ralf Seifert

(74) *Attorney, Agent, or Firm* — Hovey Williams LLP

(57) **CLAIM**

The ornamental design for an industrial compressor cabinet, as shown and described.

**DESCRIPTION**

FIG. 1 is an isometric view of an industrial compressor cabinet embodying our design in environmental use;

FIG. 2 is an isometric view of the industrial compressor cabinet depicted in FIG. 1, but showing the cabinet from a different angle and with the environmental components being removed;

FIG. 3 is a front elevation view of the industrial compressor cabinet as depicted in FIG. 2;

FIG. 4 is a side elevation view of the industrial compressor cabinet as shown in FIGS. 2 and 3;

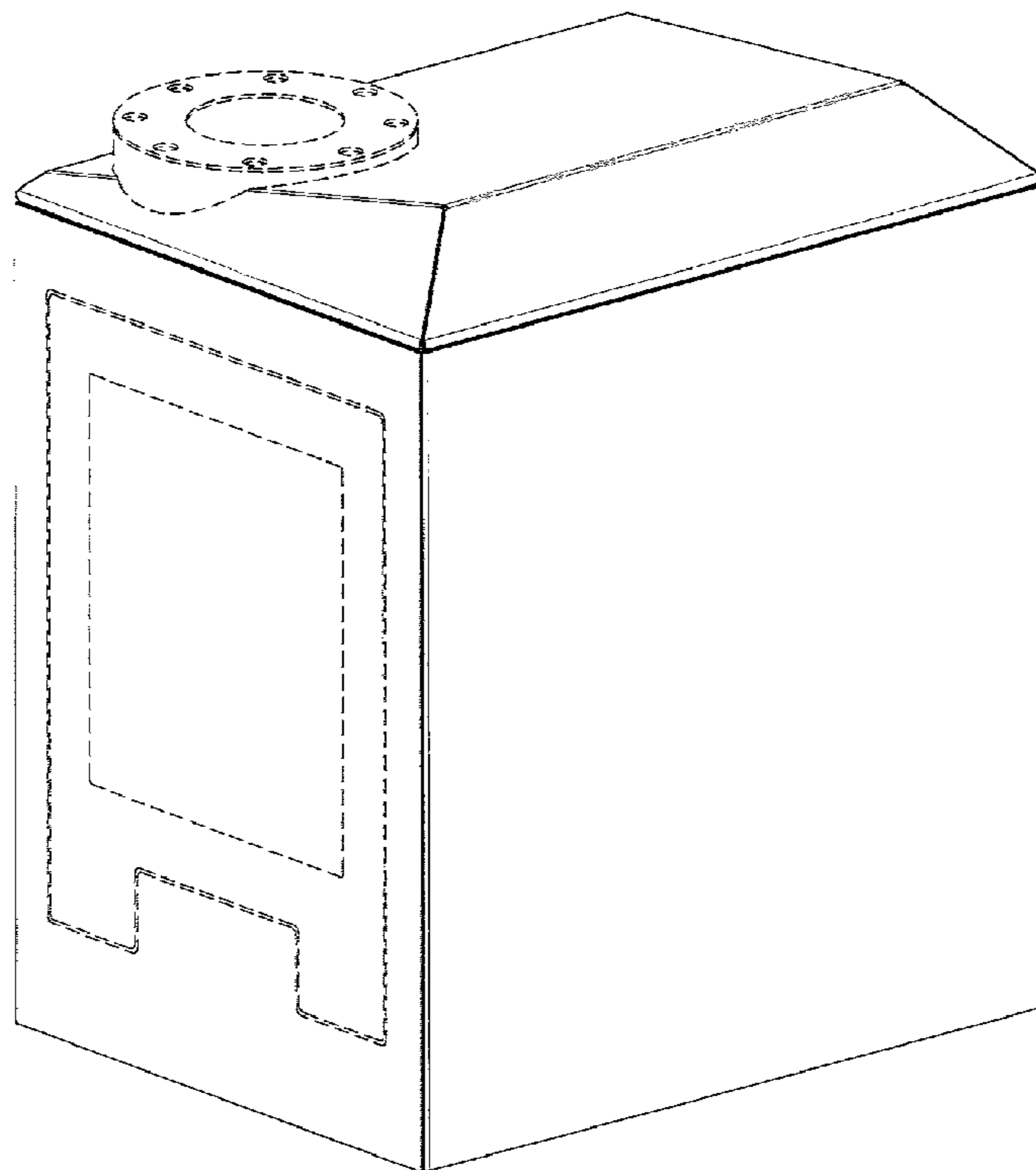
FIG. 5 is a side elevation view of the industrial compressor cabinet opposite that shown in FIG. 4;

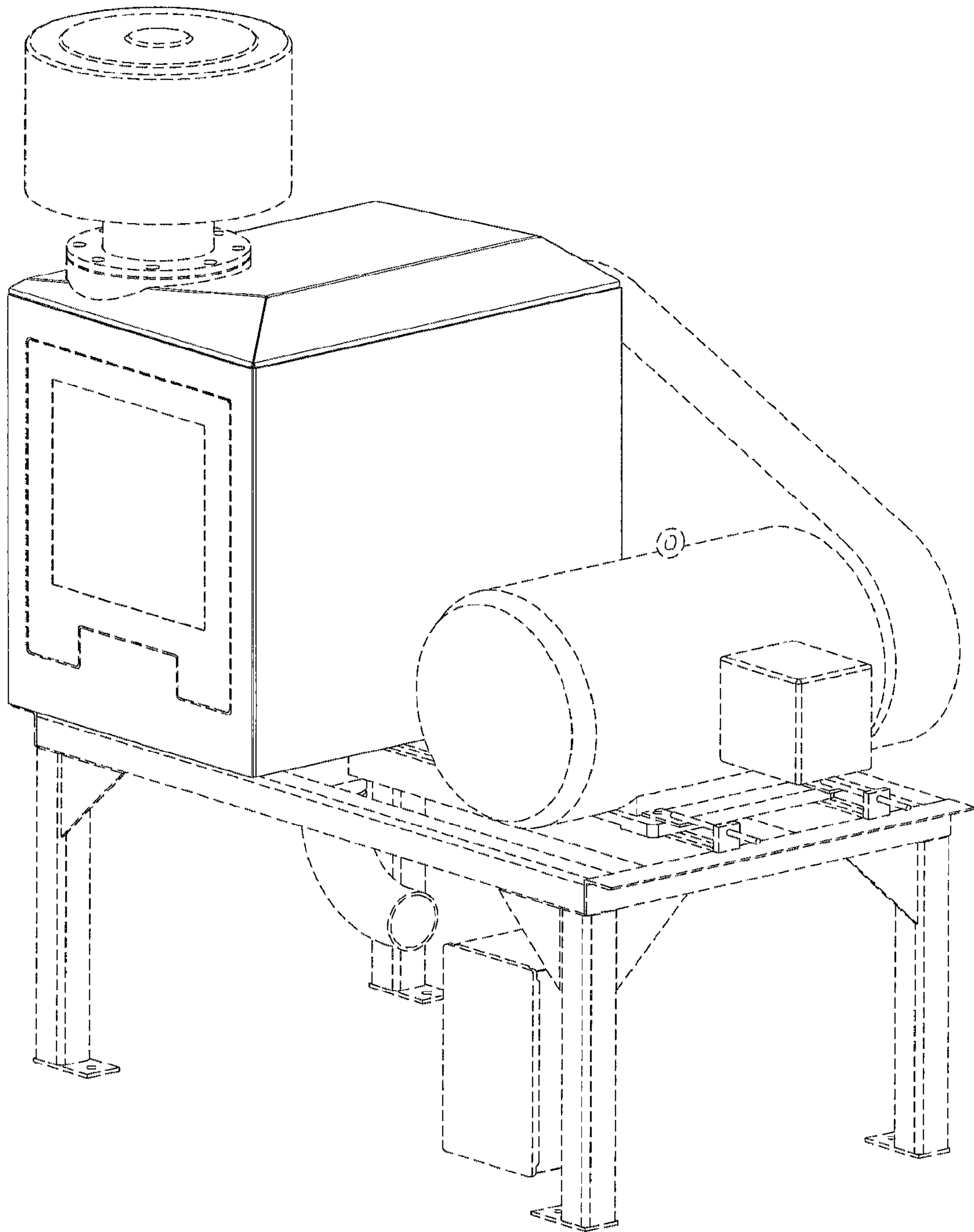
FIG. 6 is a rear elevation view of the industrial compressor cabinet as depicted in FIGS. 2-5; and,

FIG. 7 is a top plan view of the industrial compressor cabinet as shown in FIGS. 2-6.

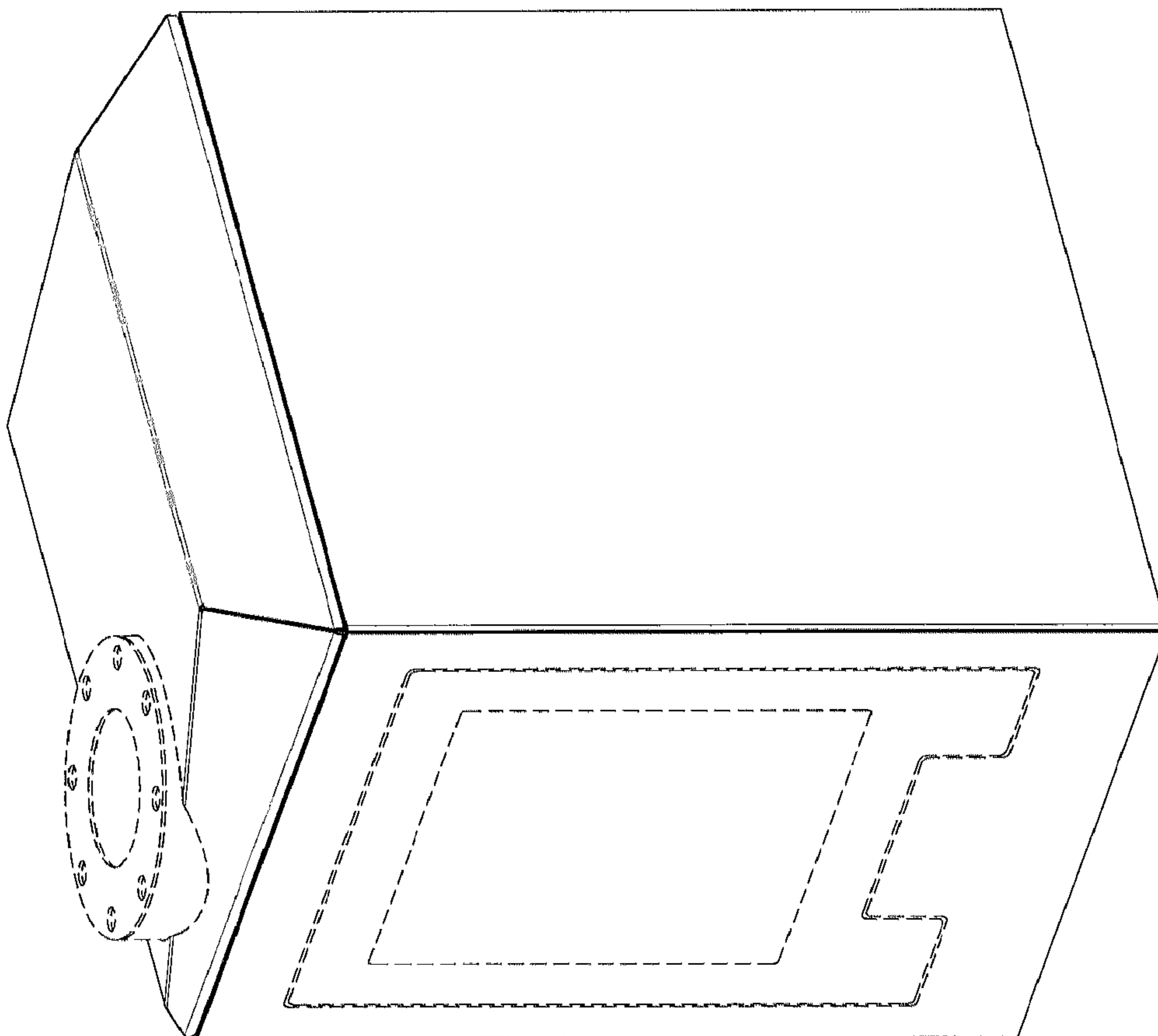
The broken lines are directed to environment and/or are for illustrative purposes only. None of the broken lines form part of the claimed design.

**1 Claim, 4 Drawing Sheets**

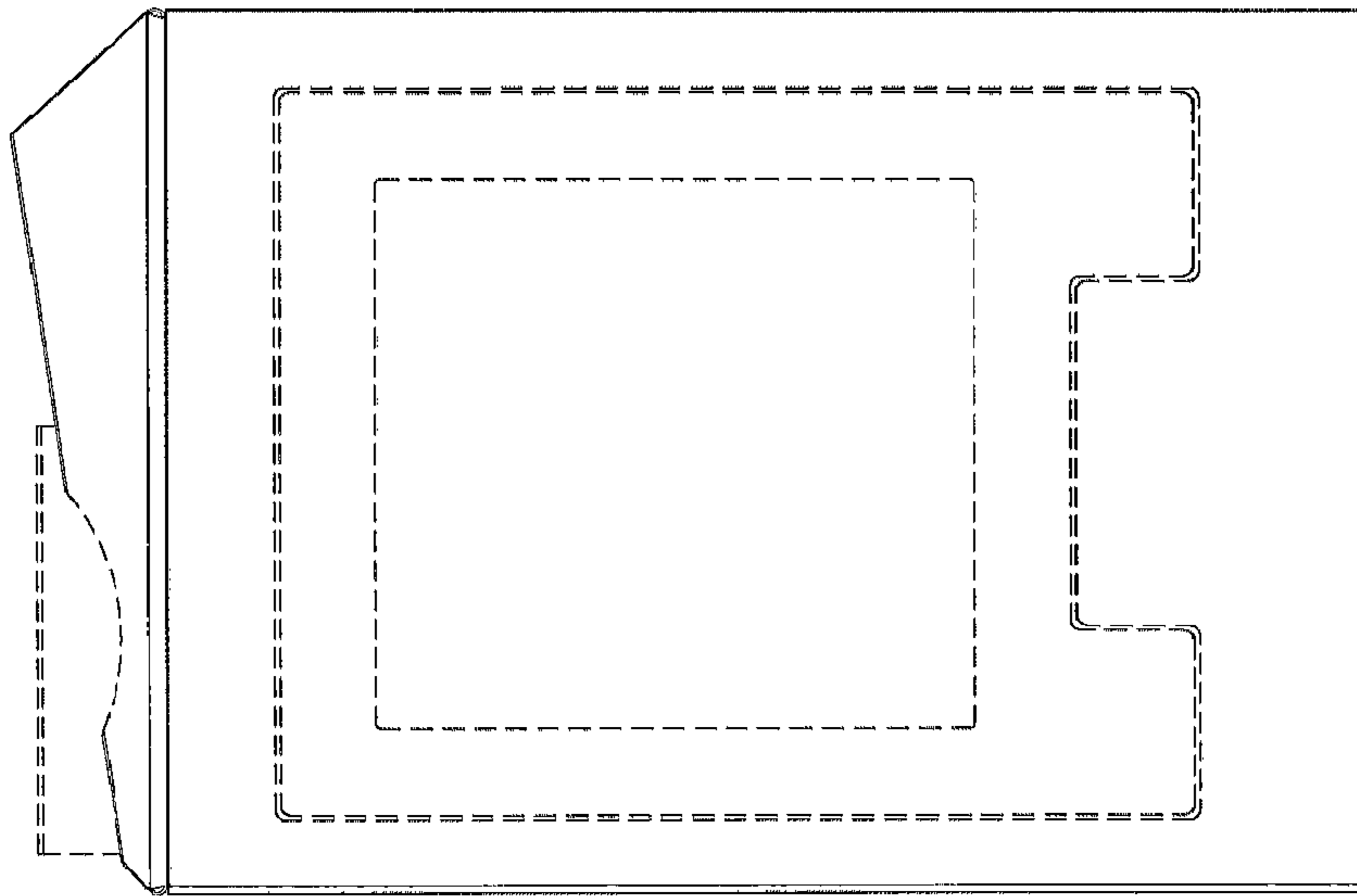




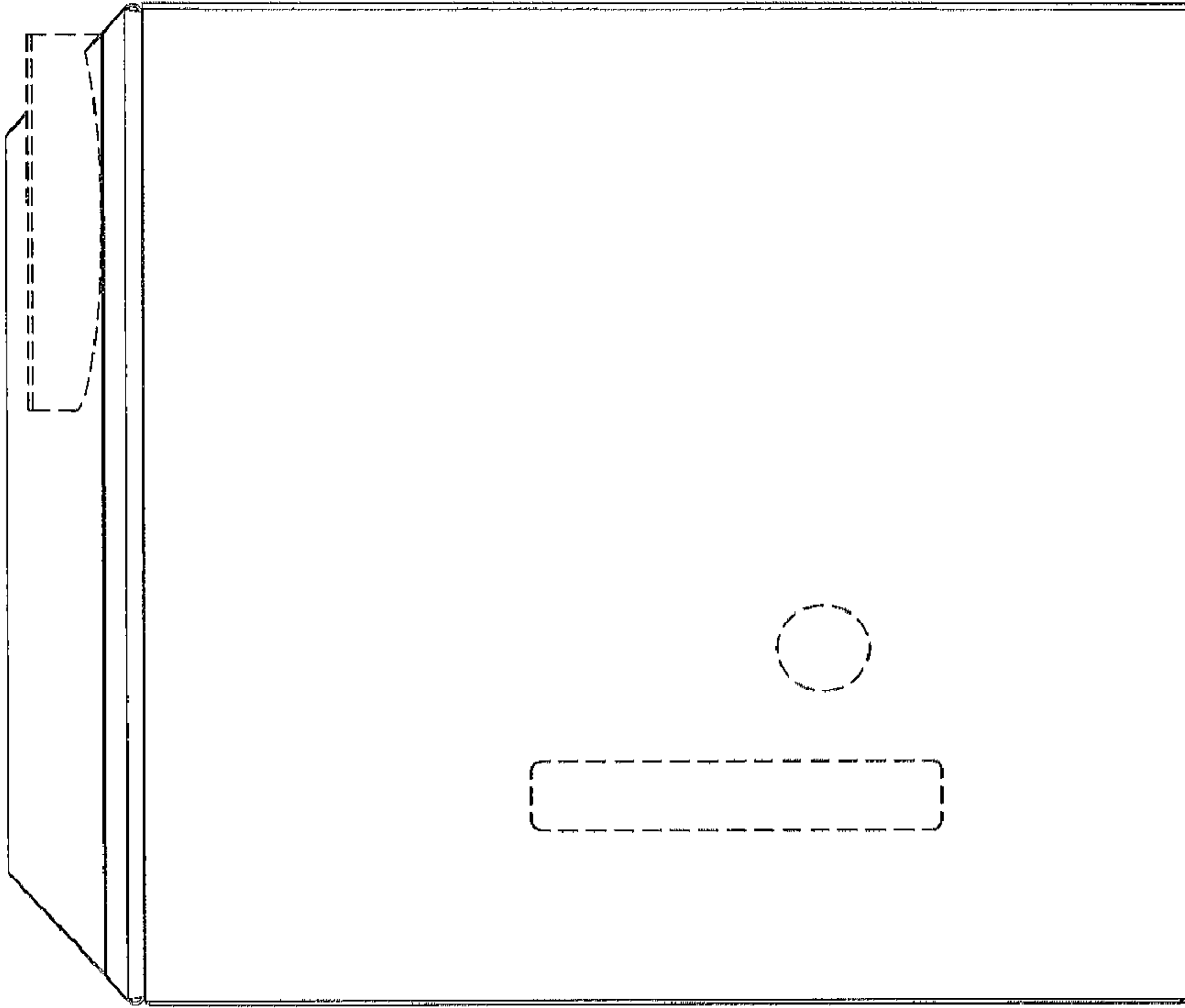
*Fig. 1.*



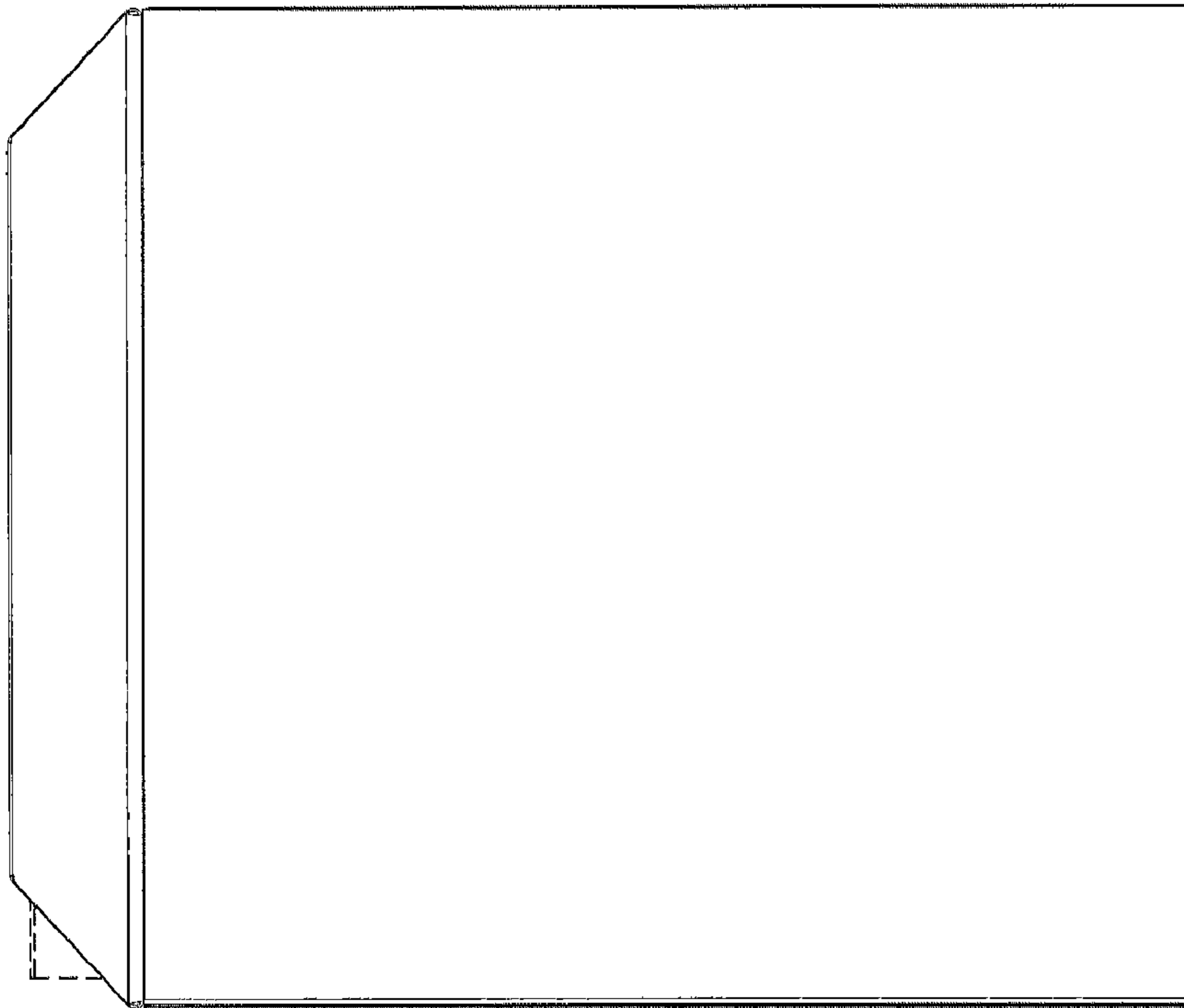
*Fig. 2.*



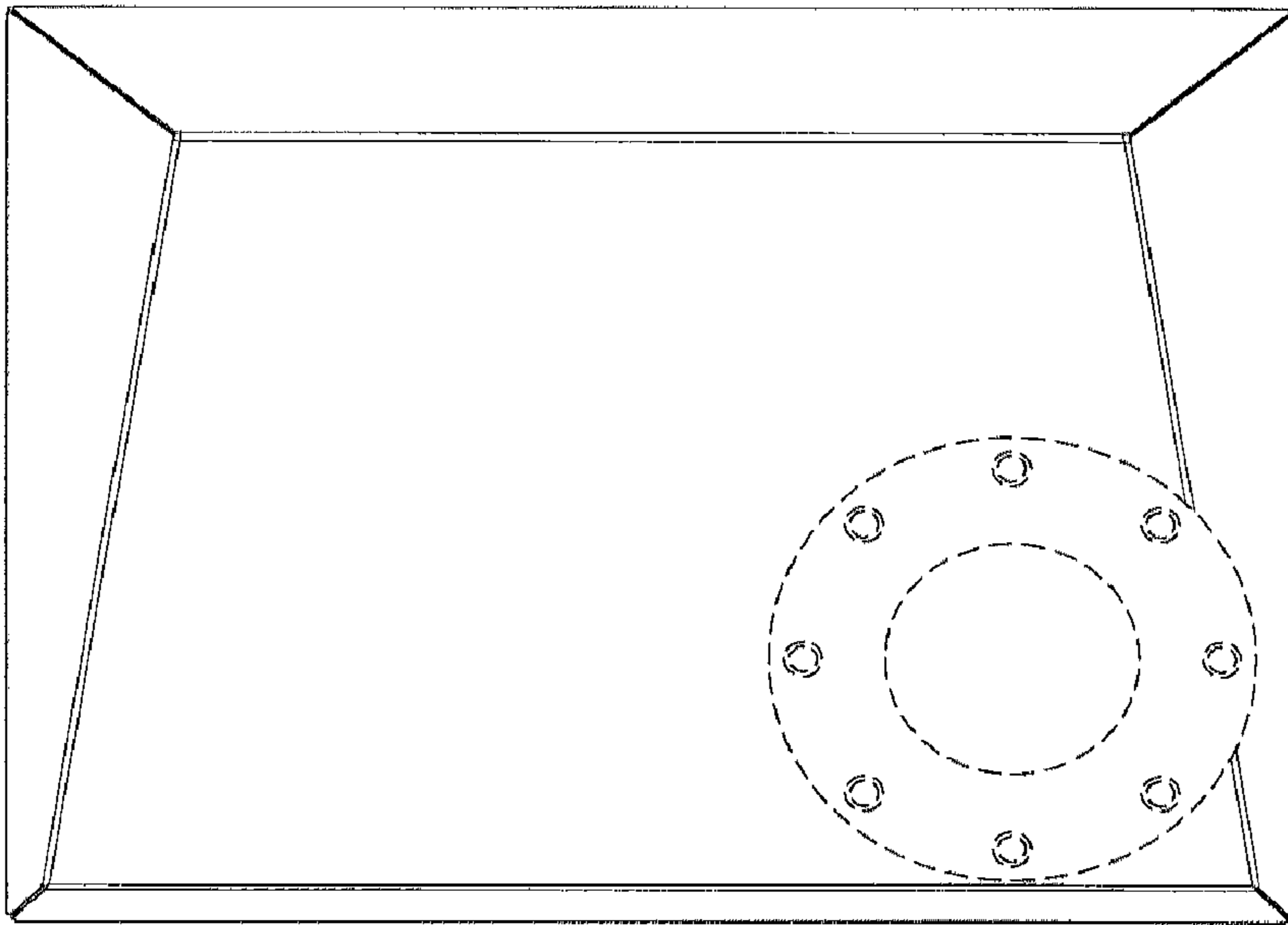
*Fig. 3.*



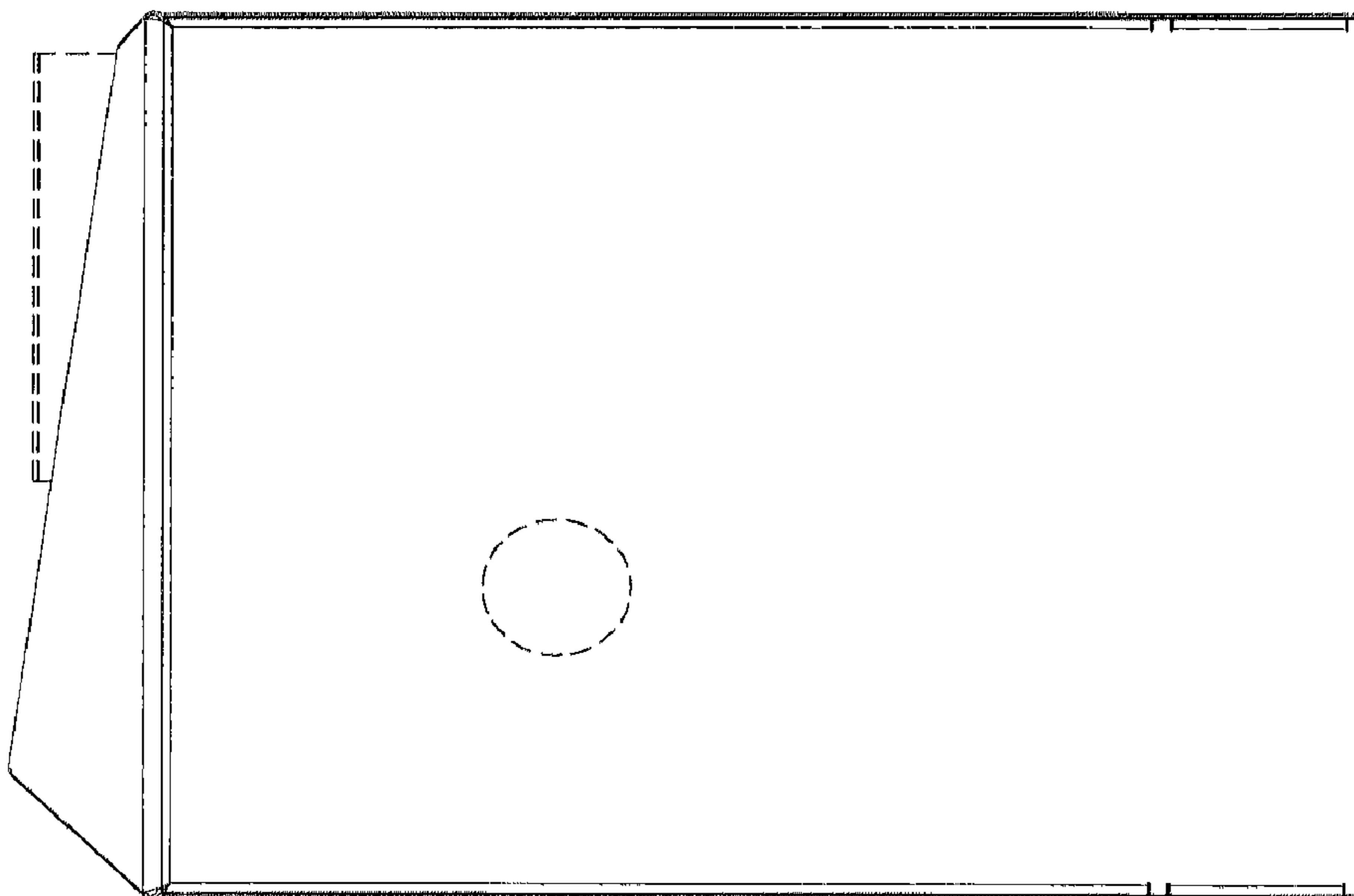
*Fig. 5.*



*Fig. 4.*



*Fig. 7.*



*Fig. 6.*